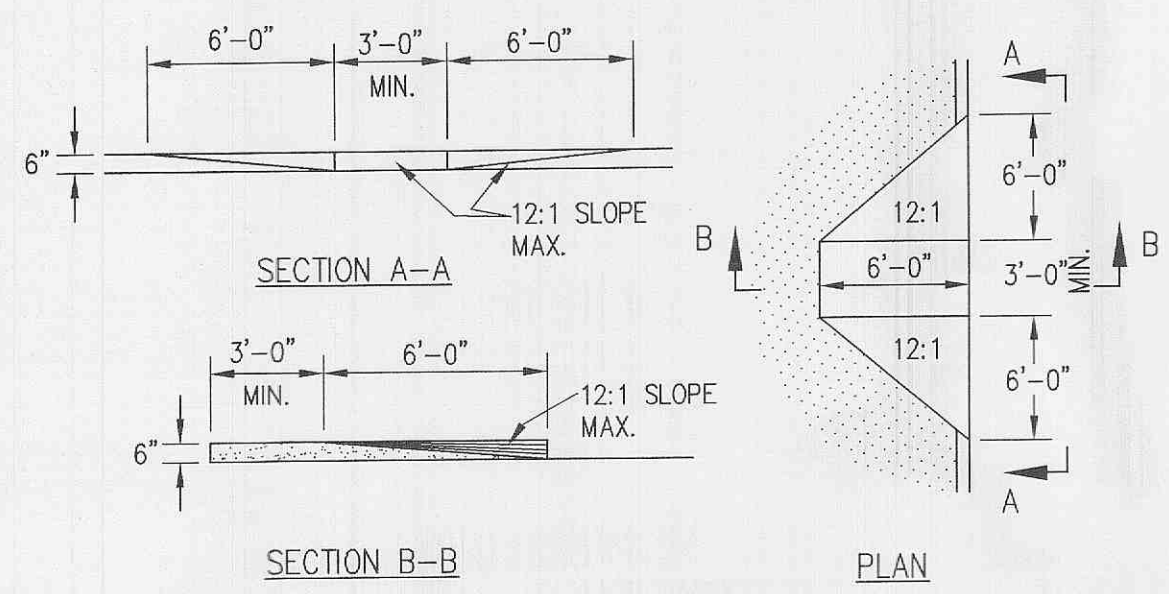
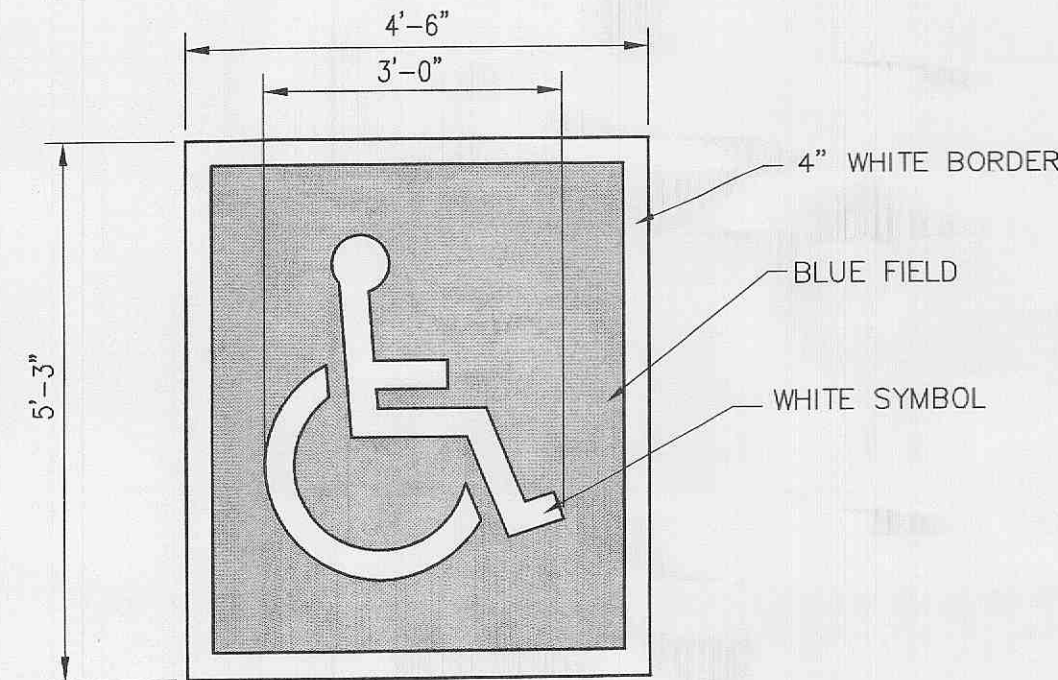


DETECTABLE WARNING AT CURB RAMPS - ADA
SCALE: N.T.S.

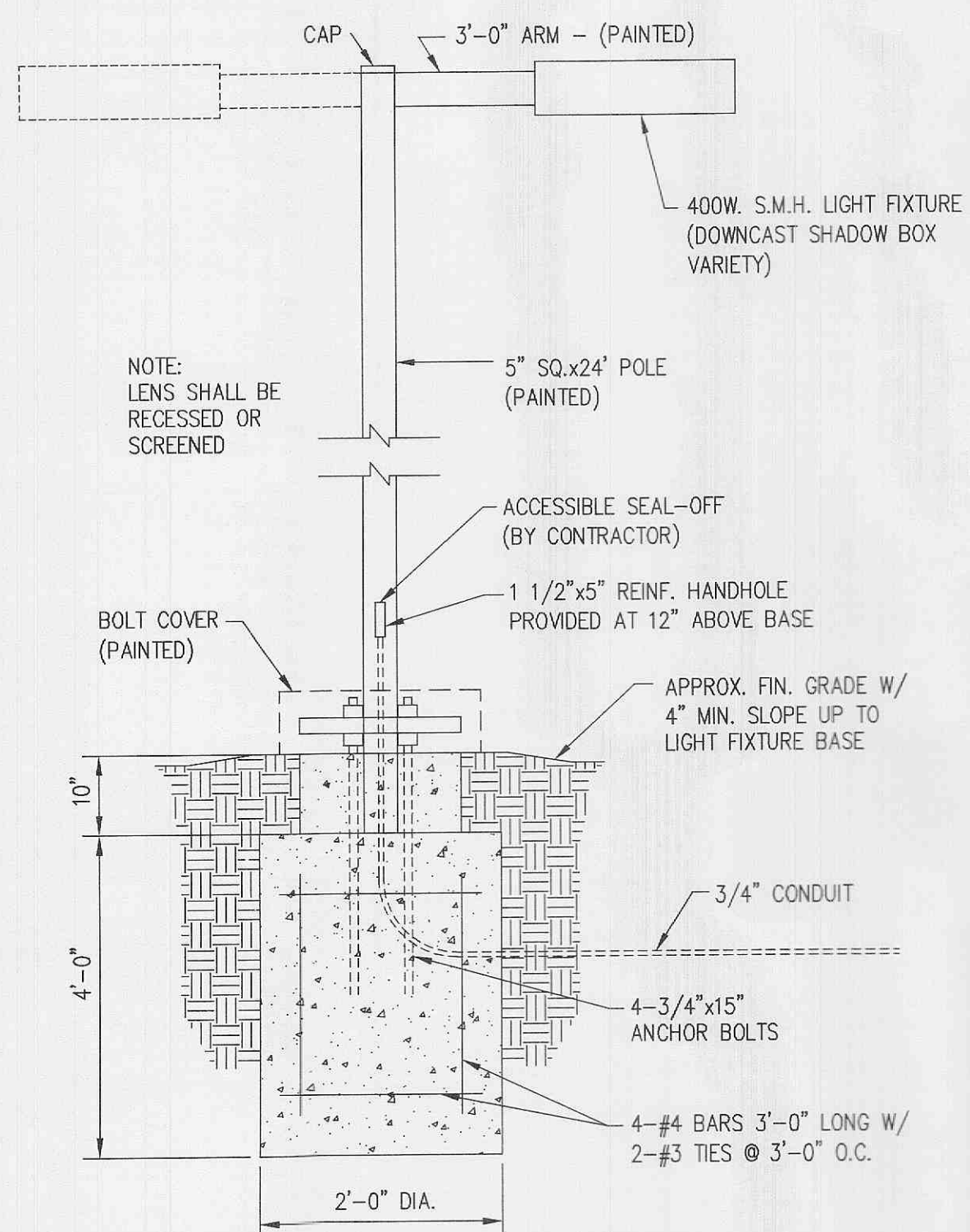


ACCESSIBLE RAMP DETAIL
SCALE: N.T.S.

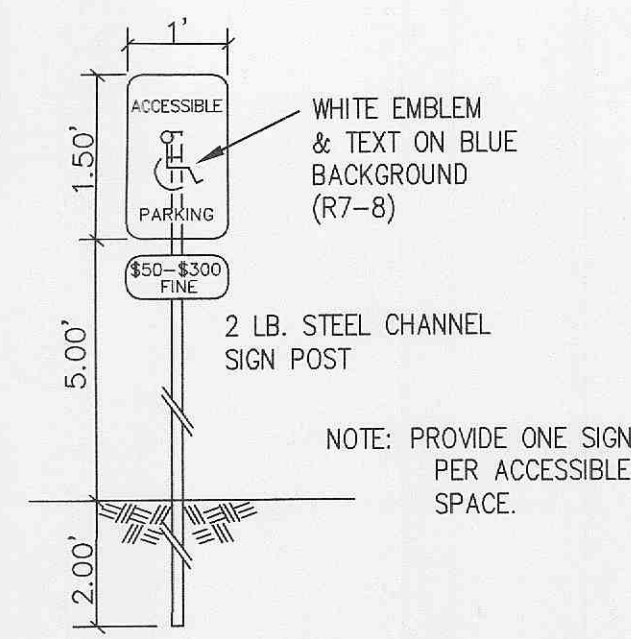


ACCESSIBILITY SYMBOL PAVEMENT MARKING DETAIL
SCALE: N.T.S.

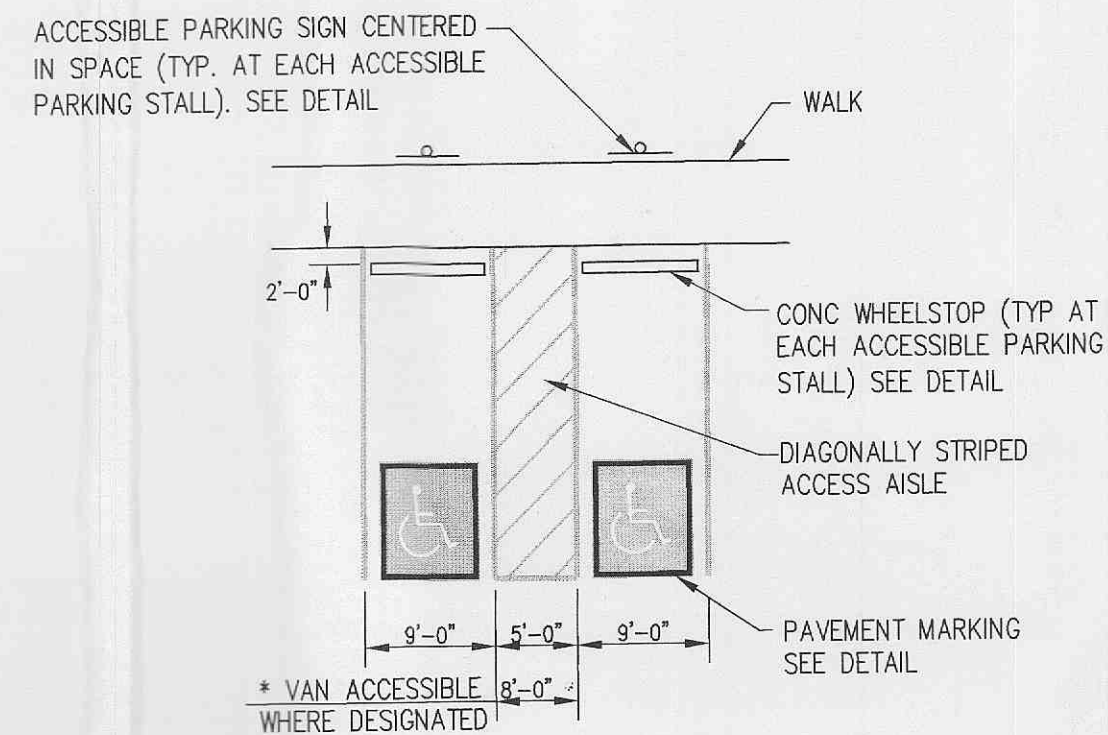
AREA LIGHT & POLE DETAIL
SCALE: N.T.S.



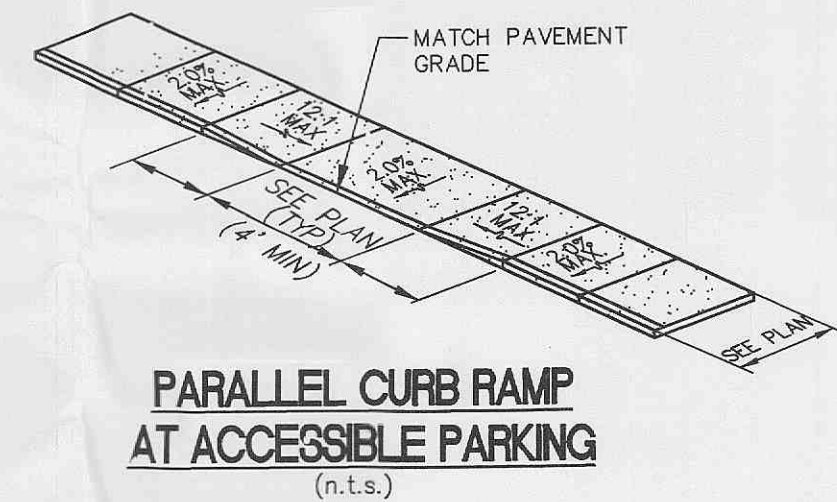
AREA LIGHT & POLE DETAIL
SCALE: N.T.S.



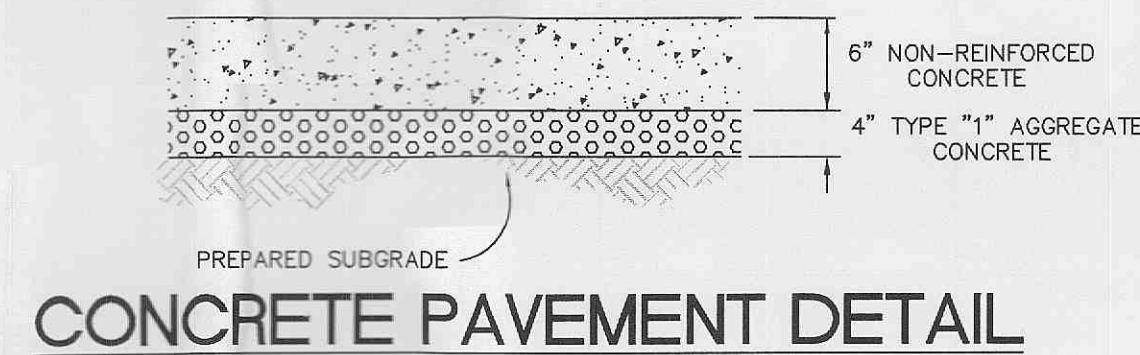
ACCESSIBLE PARKING SIGN
SCALE: N.T.S.



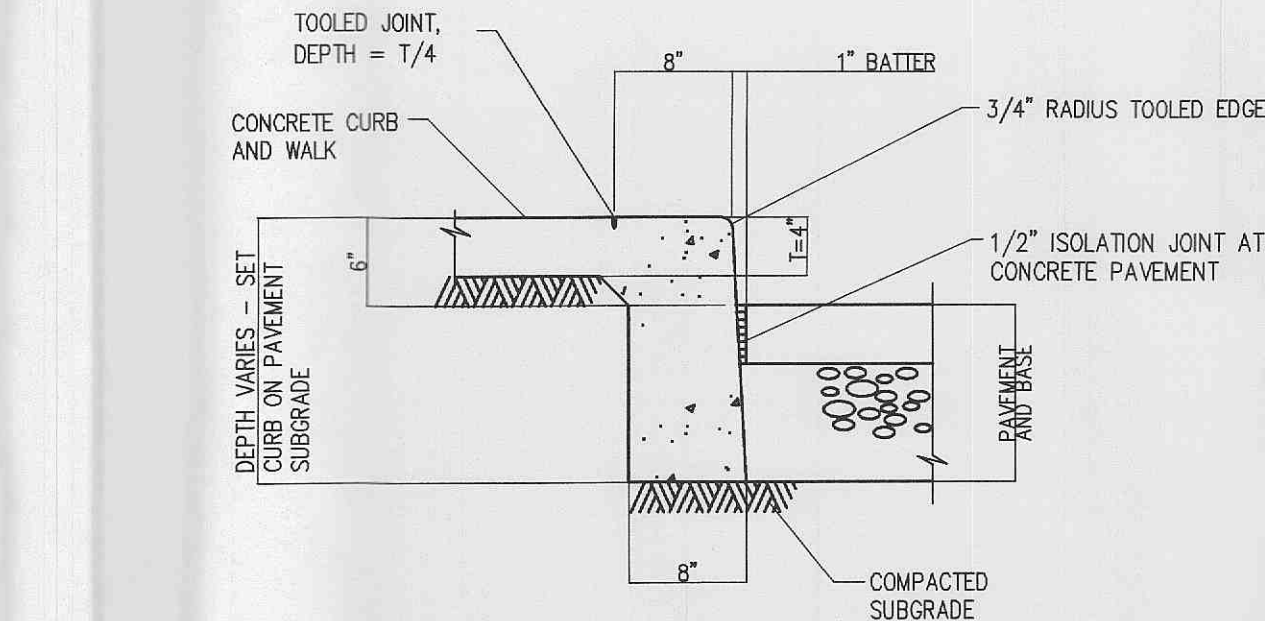
ACCESSIBLE PARKING STALL - ADA
SCALE: N.T.S.



PARALLEL CURB RAMP AT ACCESSIBLE PARKING
(n.t.s.)



CONCRETE PAVEMENT DETAIL



CONCRETE SIDEWALK AND CURB
SCALE: N.T.S.

NEW 7-24-03 12-1-03 5-14-04 7-1-04

REVISIONS

ADA BRICK PAVERS FOR NEW CONSTRUCTION

- Do not scale drawings, follow dimensions.
- The pavers shall be designed to meet accessibility guidelines for the American Disabilities Act for Detectable Warning (Paragraph 4.29) and Loading Ramps (Paragraph 4.7).
- Clay brick pavers shall be manufactured by Whitacre Greer or County approved equivalent. Follow manufacturer's installation instructions.
- Pavers may be chamfered and lugged or square edge without lugs. Finished may be smooth or textured.
- PAVING BRICK IN PEDESTRIAN/LIGHT TRAFFIC AREA**
 - True 4" x 8" x 2-1/4", as per ASTM C 902-98 Class SX, Type 1, Application PS, 8800 minimum PSI, 6% maximum average absorption.
 - Slip resistance shall be tested in accordance with ASTM C 1028-98, standard test method for determining the static coefficient of friction of ceramic tile and other like surfaces by horizontal dynamometer pull-meter test. Minimum static coefficient of friction shall be .40 wet and .70 dry.
- PAVING BRICK FOR HEAVY VEHICULAR TRAFFIC**
 - True 4" x 8" x 3" as per ASTM C 1272-95, Type F, Application PX, 19,500 PSI minimum, average compressive strength, maximum absorption.
 - Slip resistance shall be tested in accordance with ASTM C 1028-98, standard test method for determining the static coefficient of friction of ceramic tile and other like surfaces by horizontal dynamometer pull-meter test. Minimum static coefficient of friction shall be .40 wet and .70 dry.
- ALLOWABLE TOLERANCES**
 - Joint widths to be no greater than 5/32 of an inch and not less than 1/16 of an inch.
 - Pavers shall not be directly touching each other unless they have spacing bars.
- JOINT TREATMENTS**
Sweep dry sand or dry sand and cement into joints after pavers have been set in place until joints are flush with top surface. Fog lightly with water. Repeat process until joints are full.
- LEVELING**
Protect newly laid pavers with plywood or carpeting as work progresses. If additional leveling is required, you must protect the surface to avoid chipping.

BRICK PAVERS TYPICAL SECTION

NOTE: TRUNCATED DOME DETECTABLE WARNING MATS ARE ONLY FOR RETROFITTING PURPOSES. ADA BRICK PAVERS ARE REQUIRED FOR ALL NEW CONSTRUCTION.

4'-6" ADA Ramp
2' ADA Ramp
2'-6" ADA Ramp
Varies
1' ADA Ramp
12:1 Max. Ramp
Slope 0.02/ft.
3:1 Max.
4" Concrete Sidewalk
1/2" Premolded Expansion Joint Filler with Joint Sealer
3/4" Type "X" Bituminous Concrete Base
7" P.C. Concrete (Non-Reinforced)
4" Type 5 Aggregate Subbase
Prepared Subgrade

HERRINGBONE BOND WITH DETECTABLE WARNING BRICK PAVERS

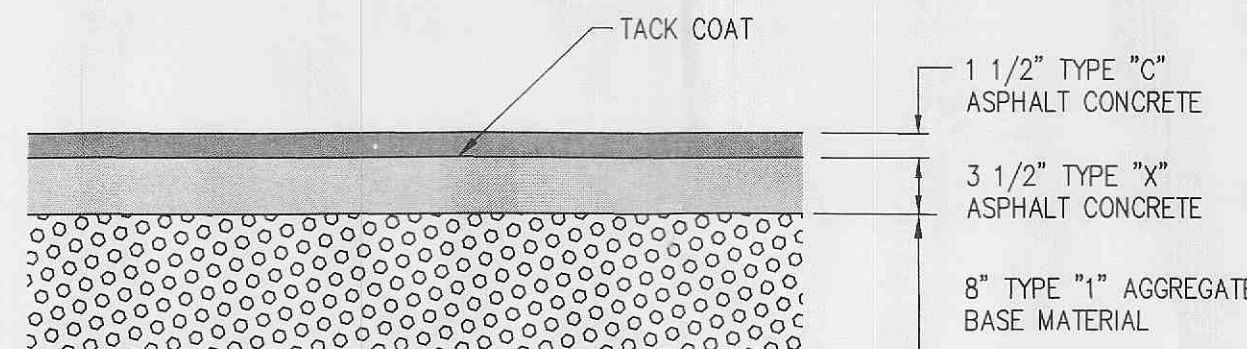
ADA BRICK PAVERS FOR NEW CONSTRUCTION

2.250" (Light Vehicular Traffic)
3.000" (Heavy Vehicular Traffic)

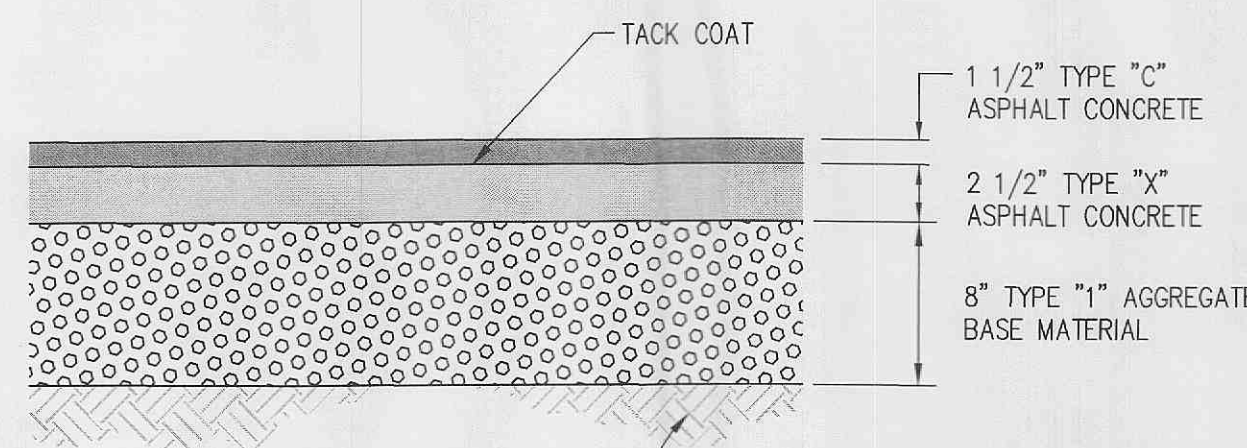
SAINT LOUIS COUNTY
DEPARTMENT OF HIGHWAYS AND TRAFFIC
CLAYTON, MISSOURI

PAVEMENT CONSTRUCTION DETAILS
TRUNCATED DOME BRICK PAVERS FOR NEW CONSTRUCTION

REVISION DATE: July 1, 2004
DRAWING C608.21



HEAVY-DUTY ASPHALT PAVEMENT



LIGHT-DUTY ASPHALT PAVEMENT

NOTE: PAVEMENT SECTIONS ARE SUBJECT TO VERIFICATION BY GEOTECHNICAL ENGINEER

4. Provide a marking on the storm sewer inlets. The City will allow the following markers and adhesive procedures only as shown in the table below or an approved equal by Almetek Industries. 'Peel and stick' adhesive pads will not be allowed.

Manufacturer	Size	Adhesive	Style	Message (Part #)	Website
ACP International	3 7/8"	Epoxy	Crystal Cap	No Dumping Drains To Waterways (SD- W-CC)	www.acpinternational.com
DAS Manufacturing, Inc.	4"	Epoxy	Standard Style	No Dumping Drains To Stream (#SDS)	www.dasmanufacturing.com

DERO

DERO BIKE RACKS, INC.
221 ARTHUR AVE. SE
MINNEAPOLIS, MN 55414
1-888-337-6729
PHONE: (612) 359-0689
FAX: (612) 331-2731
www.dero.com

SELECT DESIRED MOUNT
 FOOT MOUNT
 IN-GROUND MOUNT

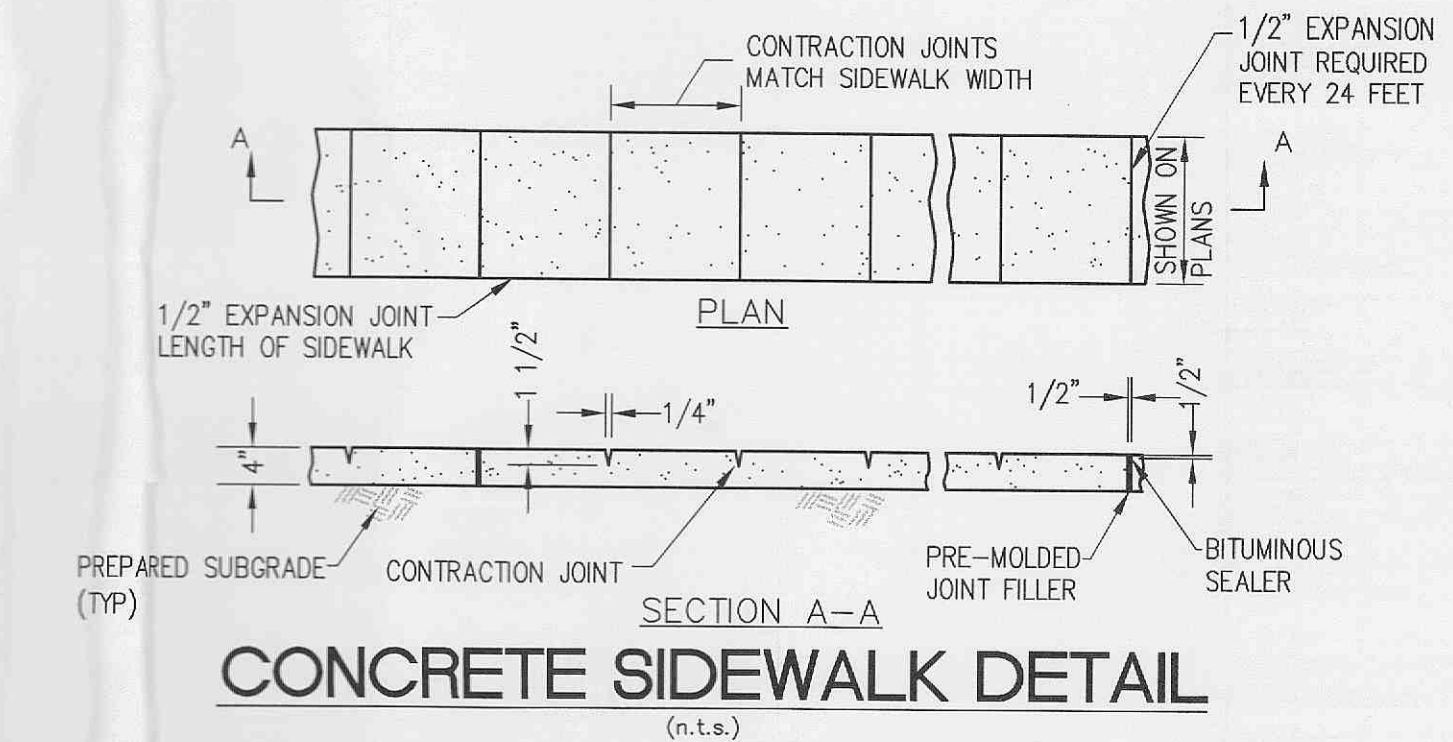
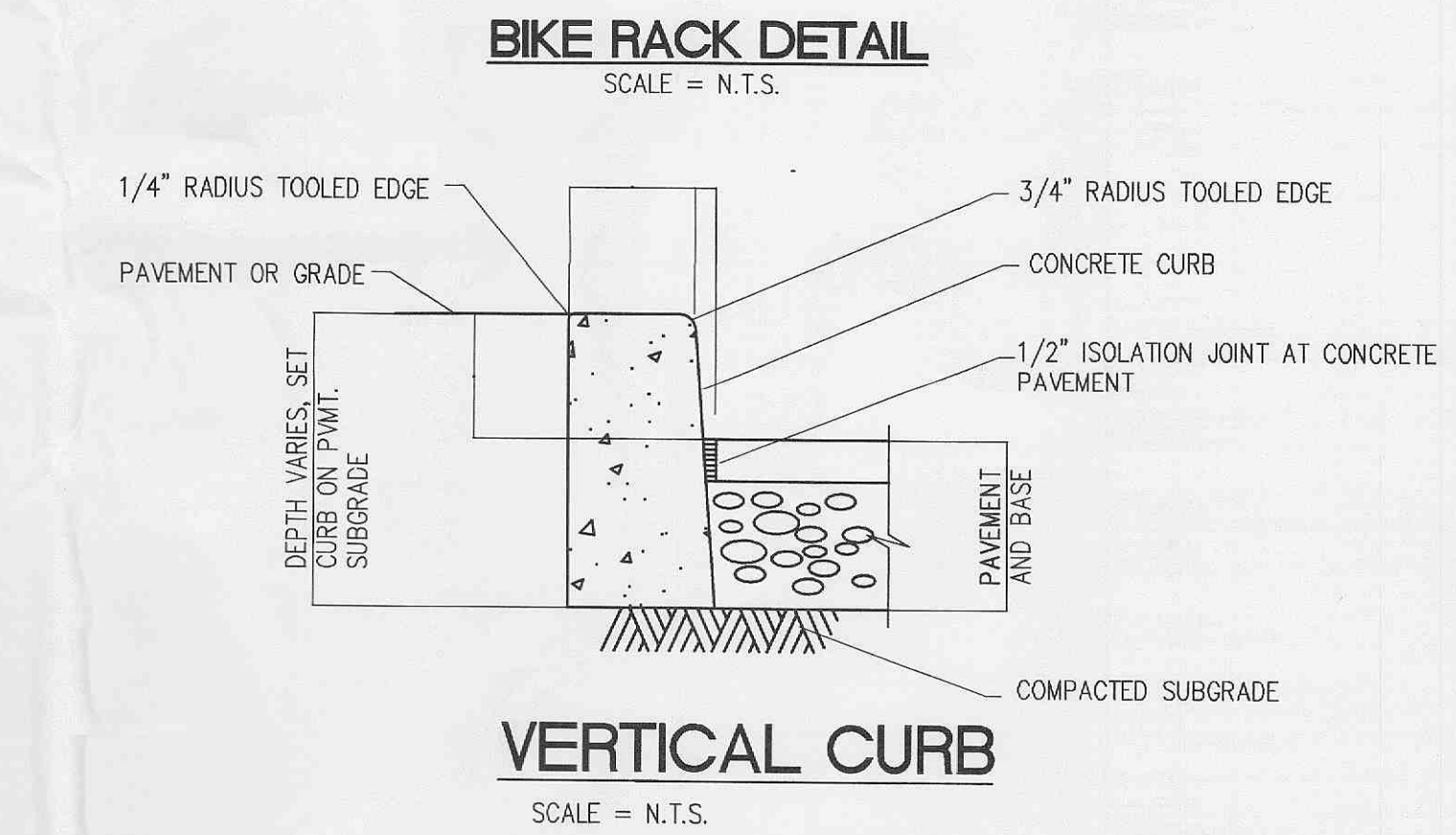
SELECT DESIRED UNIT

32 1/8" x 51 2/4" x 36" - 4 BIKES
115 1/8" x 36" - 8 BIKES
83 5/8" x 36" - 6 BIKES
147 5/8" x 36" - 10 BIKES

NOTES:
1. INSTALLATION TO BE COMPLETED IN ACCORDANCE WITH MANUFACTURER'S SPECIFICATIONS.
2. DO NOT SCALE DRAWINGS.
3. CONTRACTORS NOTE: FOR PRODUCT AND PURCHASING INFORMATION VISIT www.PROJECTmarketplace.com REFERENCE NUMBER 118-003

DERO ROLLING RACK
2H, 3H, 4H AND 5H

PROTECTED BY COPYRIGHT - 118-003 03/18/03
www.caddetails.com



06-16-06 REVISED PER CITY COMMENTS

SITE IMPROVEMENT DETAILS
FIFTH THIRD BANK - HIGHWAY K

STOCK & ASSOCIATES
Consulting Engineers, Inc.

257 Chesterfield Business Parkway
St. Louis, MO 63005
PH: (636) 530-9100
FAX: (636) 530-9130
e-mail: general@stockassoc.com
Web: www.stockassoc.com

GEORGE M. STOCK E-25116
J.P.P. 05/08/06 G.M.S. 05/08/06 205-3665.1 C8 of 14