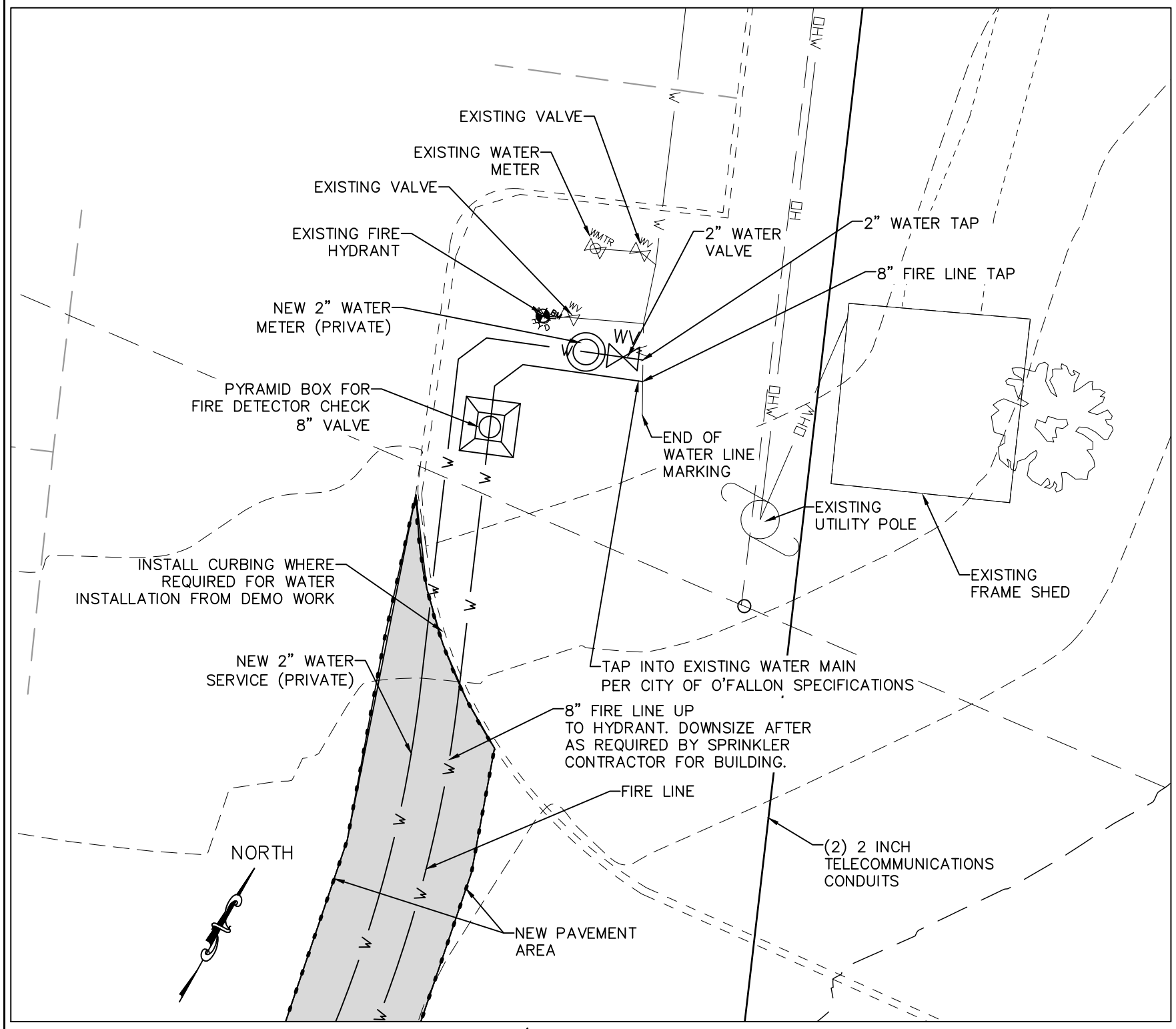
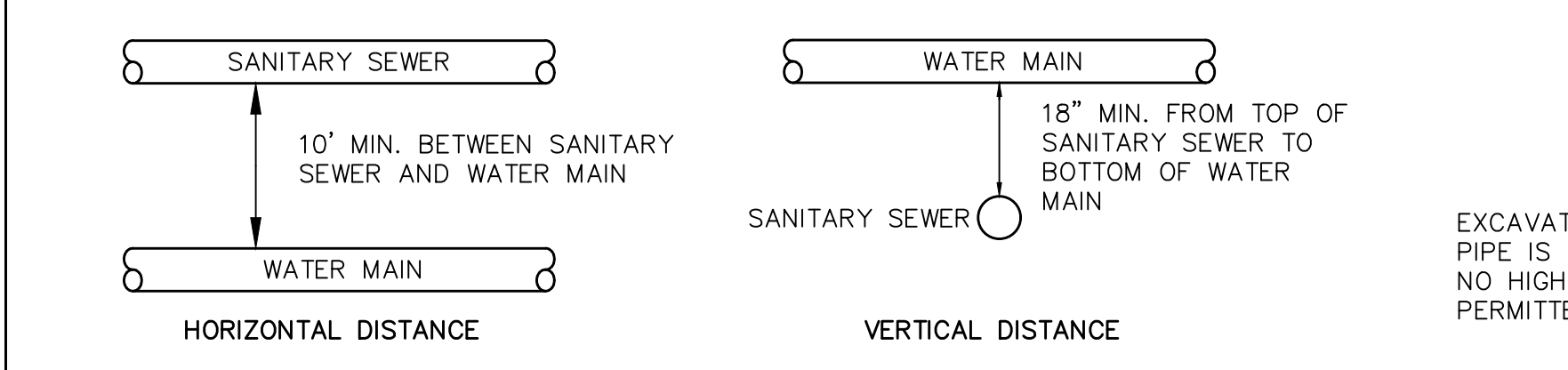


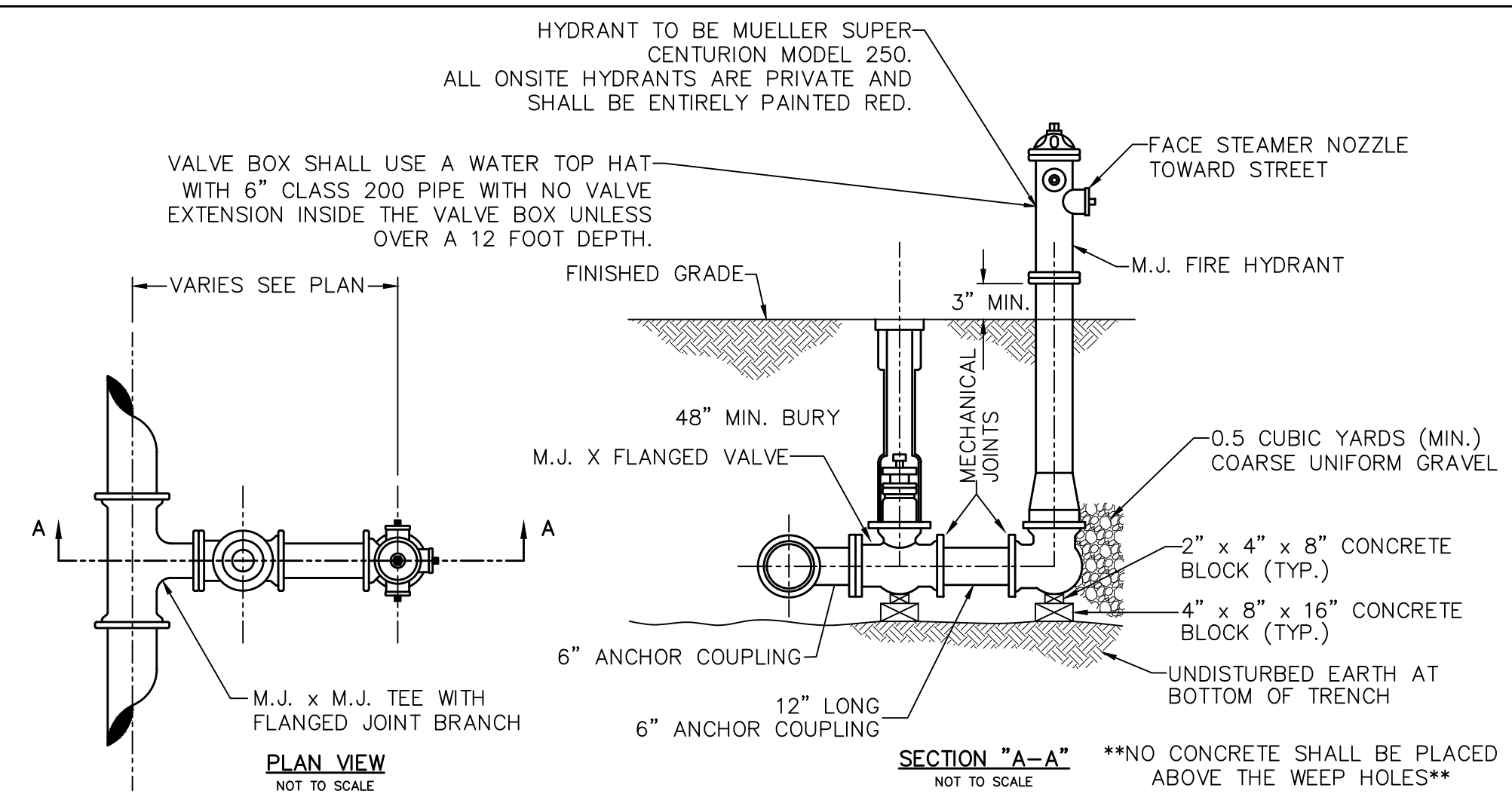
ADDITIONAL FIRE HYDRANT BY CHURCH TO THE NORTH DETAIL
SCALE: 1"=10'



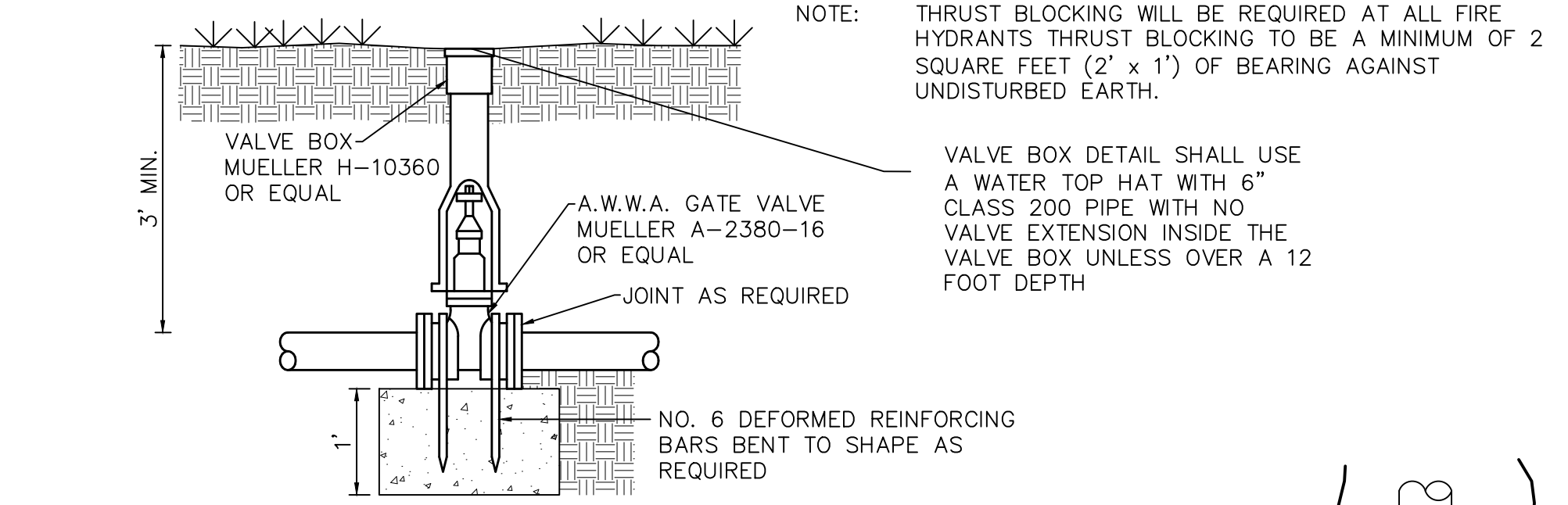
DOMESTIC WATER/FIRE SERVICE TAP DETAIL
SCALE: 1"=10'



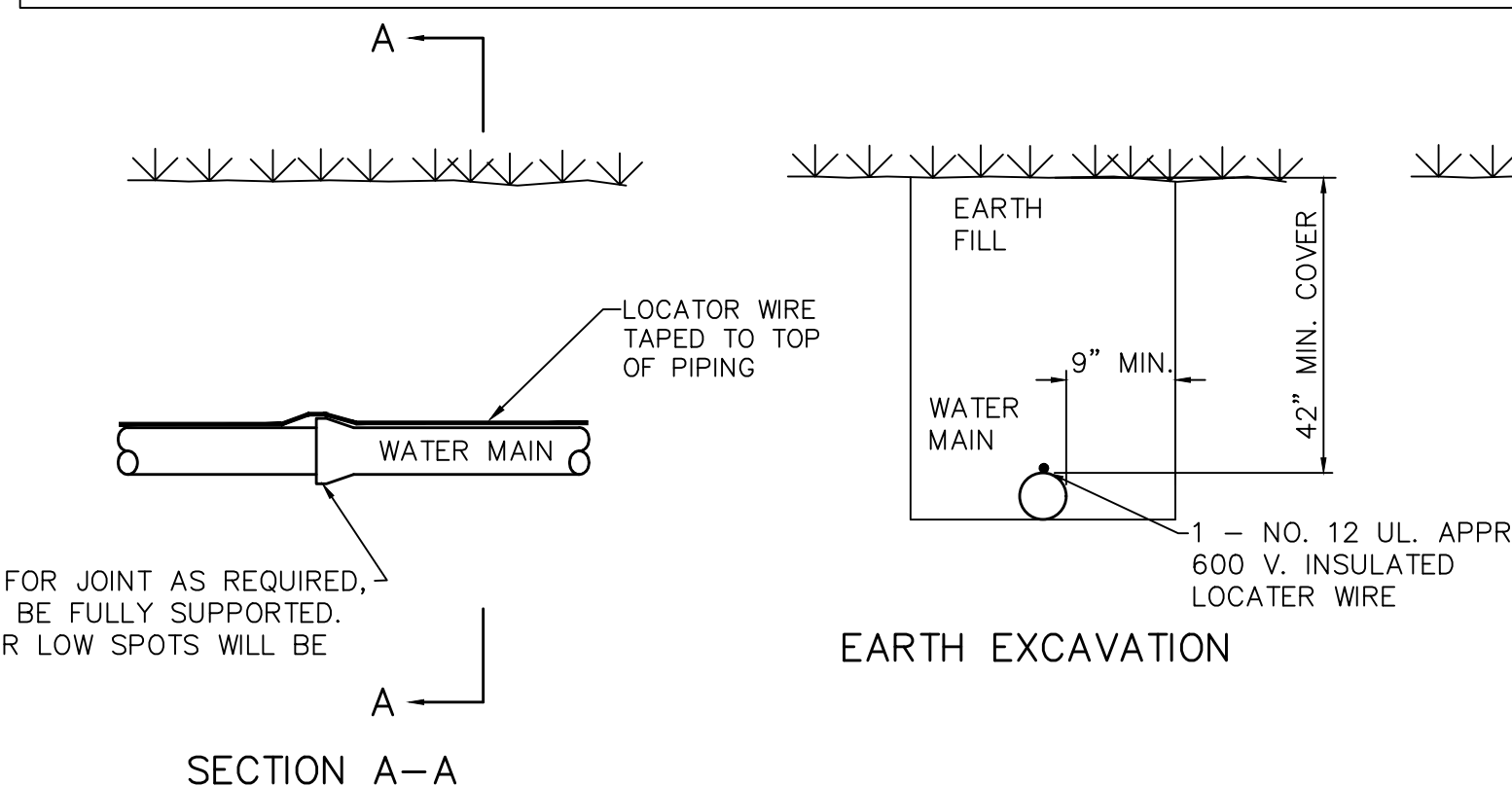
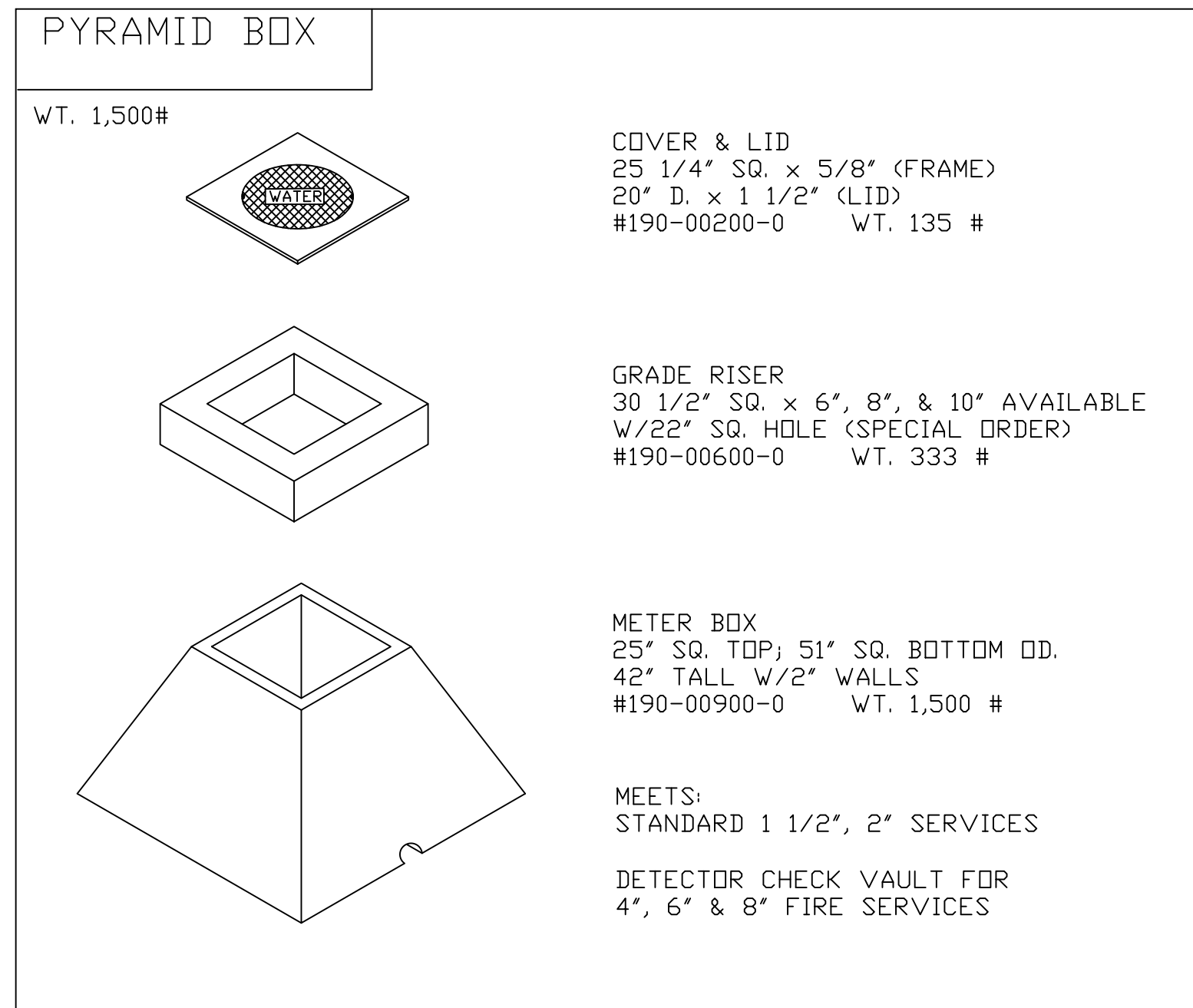
TYPICAL WATER AND SEWER SEPARATION
NOT TO SCALE



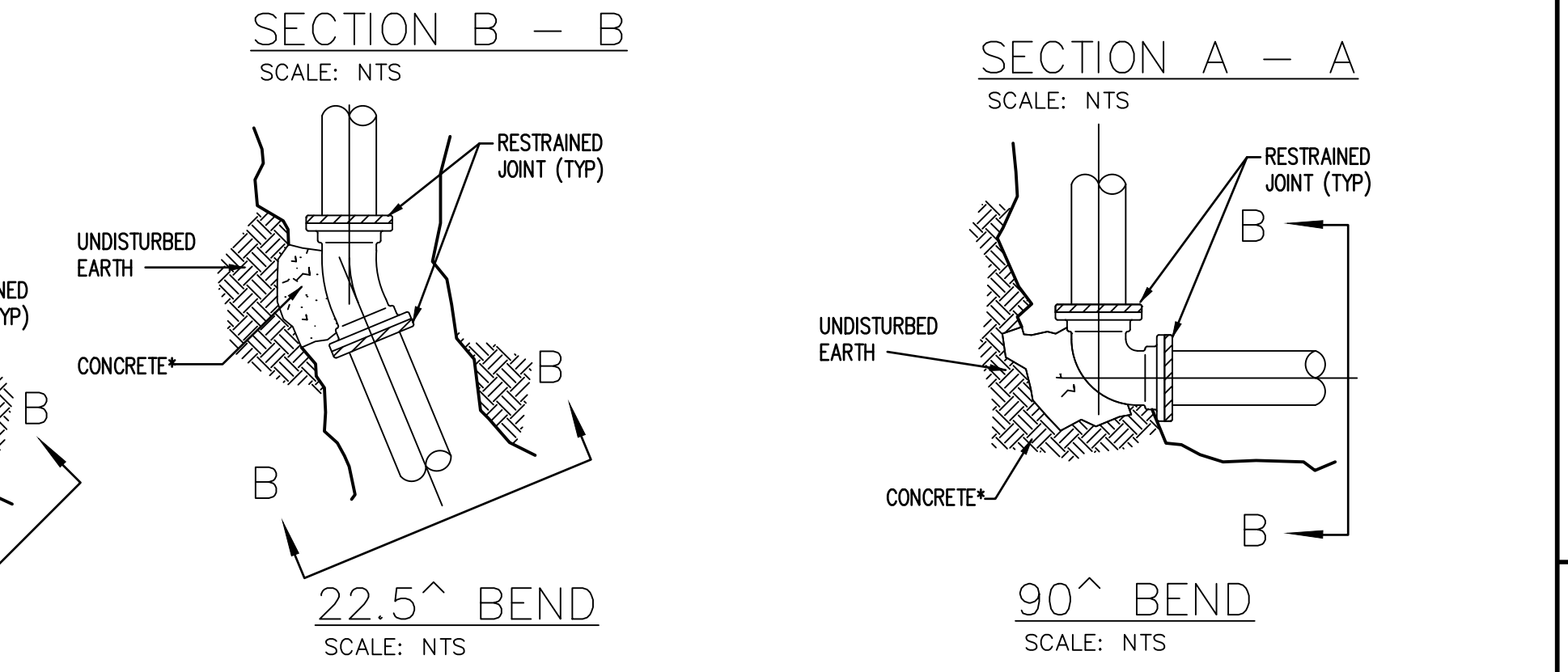
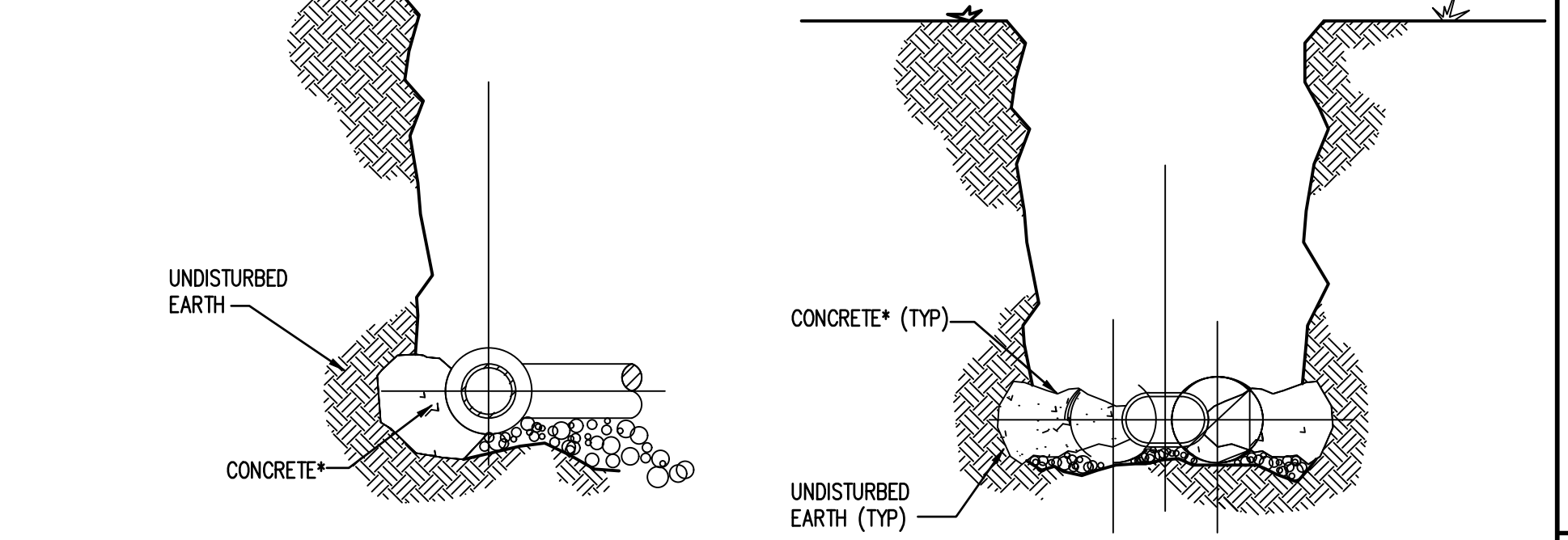
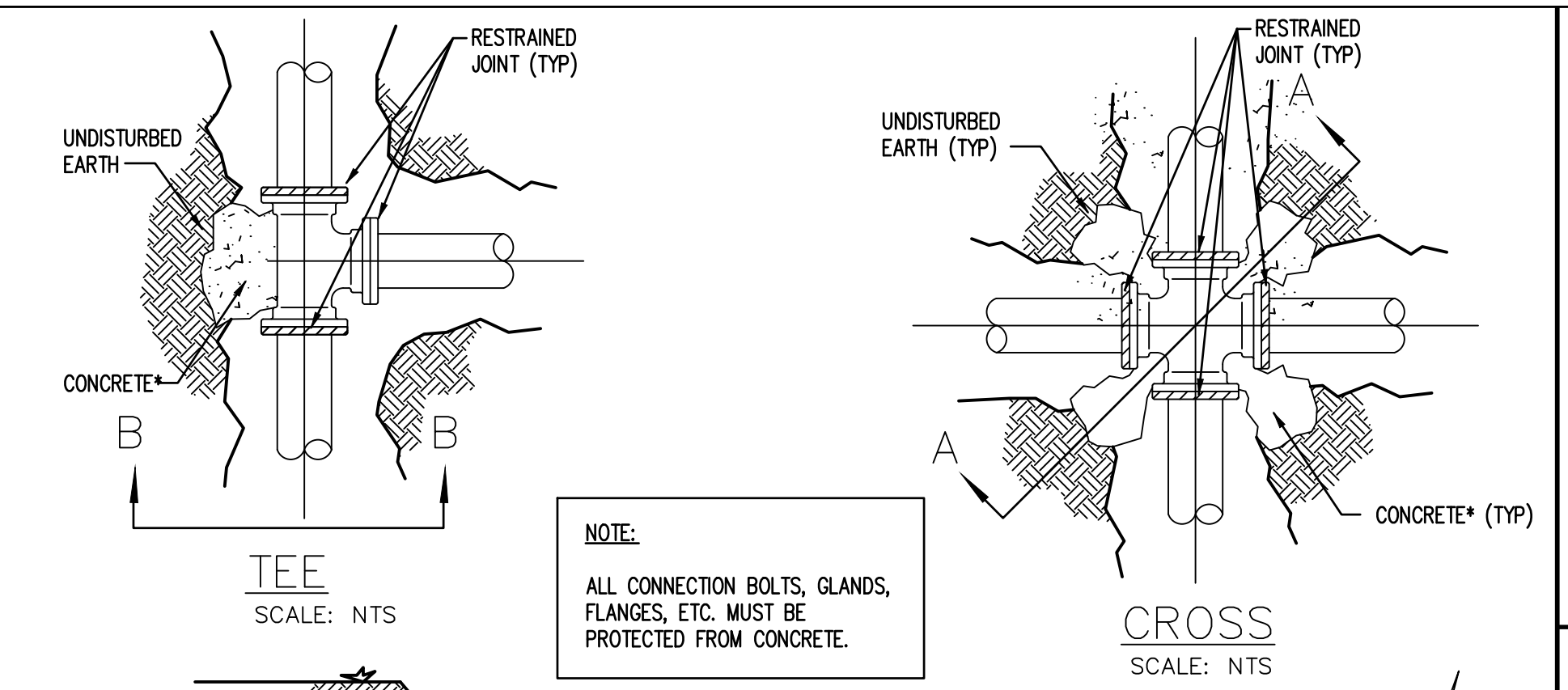
STANDARD FIRE HYDRANT INSTALLATION DETAIL
NOT TO SCALE



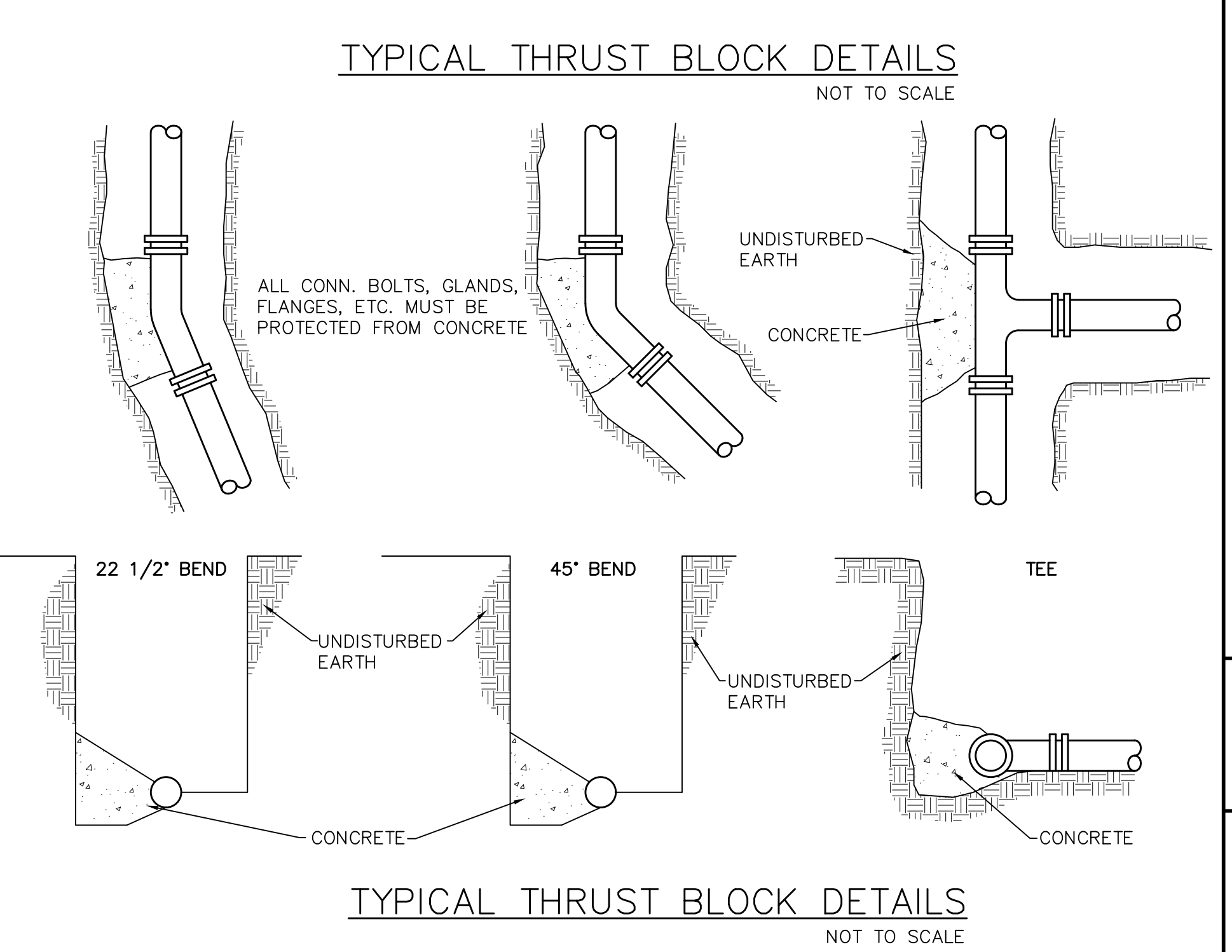
GATE VALVE W/THRUST BLOCK
NOT TO SCALE



TYPICAL WATER MAIN INSTALLATION DETAILS
SEE SPECIFICATIONS AND DETAILS FOR BEDDING AND BACKFILL REQUIREMENTS FOR WATER MAINS.
NOT TO SCALE



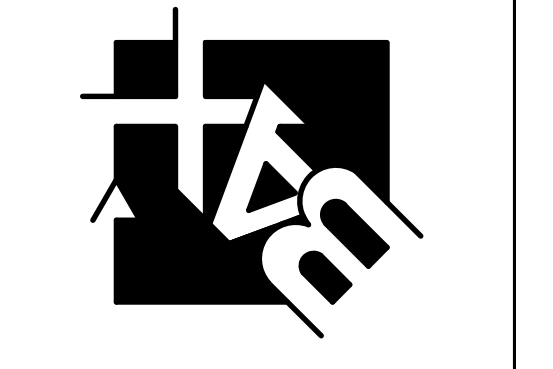
MAIN SIZE (I.D.)	MIN. THRUST BLOCK BEARING DIMENSIONS TO BEAR AGAINST UNDISTURBED EARTH				
	45° BEND	22 1/2° BEND	TEE	VALVE	CROSS
2"	.5' x 1'	.5' x 1'	.5' x 1'	.5' x 1'	.5' x 1'
4"	1' x 1'	1' x 1'	2' x 1'	2' x 1'	1' x 1'
6"	1.5' x 1'	1' x 1'	2' x 1'	2' x 1'	1' x 1'
8"	2' x 1'	1' x 1'	2' x 2.5'	2' x 2'	1' x 1.5'
10"	2' x 2.5'	1.5' x 2'	2' x 3.5'	2' x 3'	2' x 2'
12"	2' x 3.5'	1.5' x 2.5'	3' x 3.5'	3' x 3'	2' x 3'
16"	3' x 4'	2' x 3'	4' x 4.5'	3' x 4.5'	3' x 3.5'



TYPICAL THRUST BLOCK DETAILS
NOT TO SCALE

PROJECT TITLE:
CONSTRUCTION PLANS FOR:
First Baptist Church of O'Fallon
8750 Veterans Memorial Pkwy
O'Fallon, MO 63366

ENGINEERING
PLANNING
SURVEYING
221 Point West Blvd.
St. Charles, MO 63301
636-928-5552
FAX 636-928-1718



DISCLAIMER OF RESPONSIBILITY
I hereby certify that the documents intended to be authenticated by my seal are limited to this sheet, and I hereby disclaim any responsibility for all other Drawings, Specifications, Estimates, Reports or other documents or instruments relating to or intended to be used for any part or parts of the architectural or engineering project or survey.



Copyright 2022
Box Engineering Company, Inc.
Authority No. 000855
All Rights Reserved

REVISIONS

NO.	DATE	REVISION
11-7-22		CITY COMMENTS
11-29-22		CITY COMMENTS
12-9-22		BLDG. UTILITIES
12-15-22		BID SET

Developer / Owner:
First Baptist Church of O'Fallon
8750 Veterans Memorial Pkwy
O'Fallon, MO 63366
Phone #

P+Z No. 22-005714
Approved: 07-07-22
City No. 22-010520

Page No.
14 of 16

Box Project # 63-4007D Issue Date: XX/XX/2022