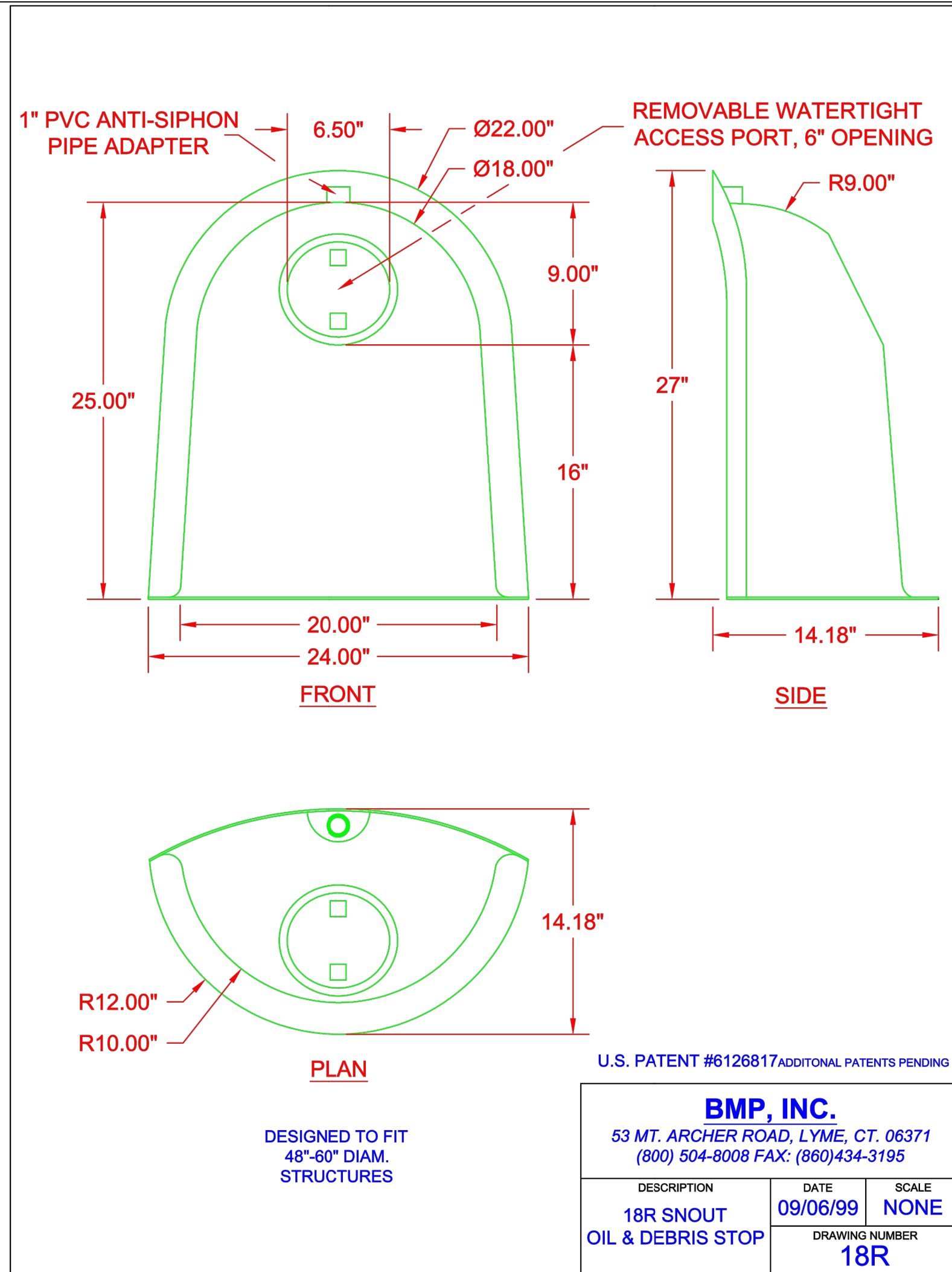


SNOUT DETAIL GI 103 PLAN VIEW
NOT TO SCALE

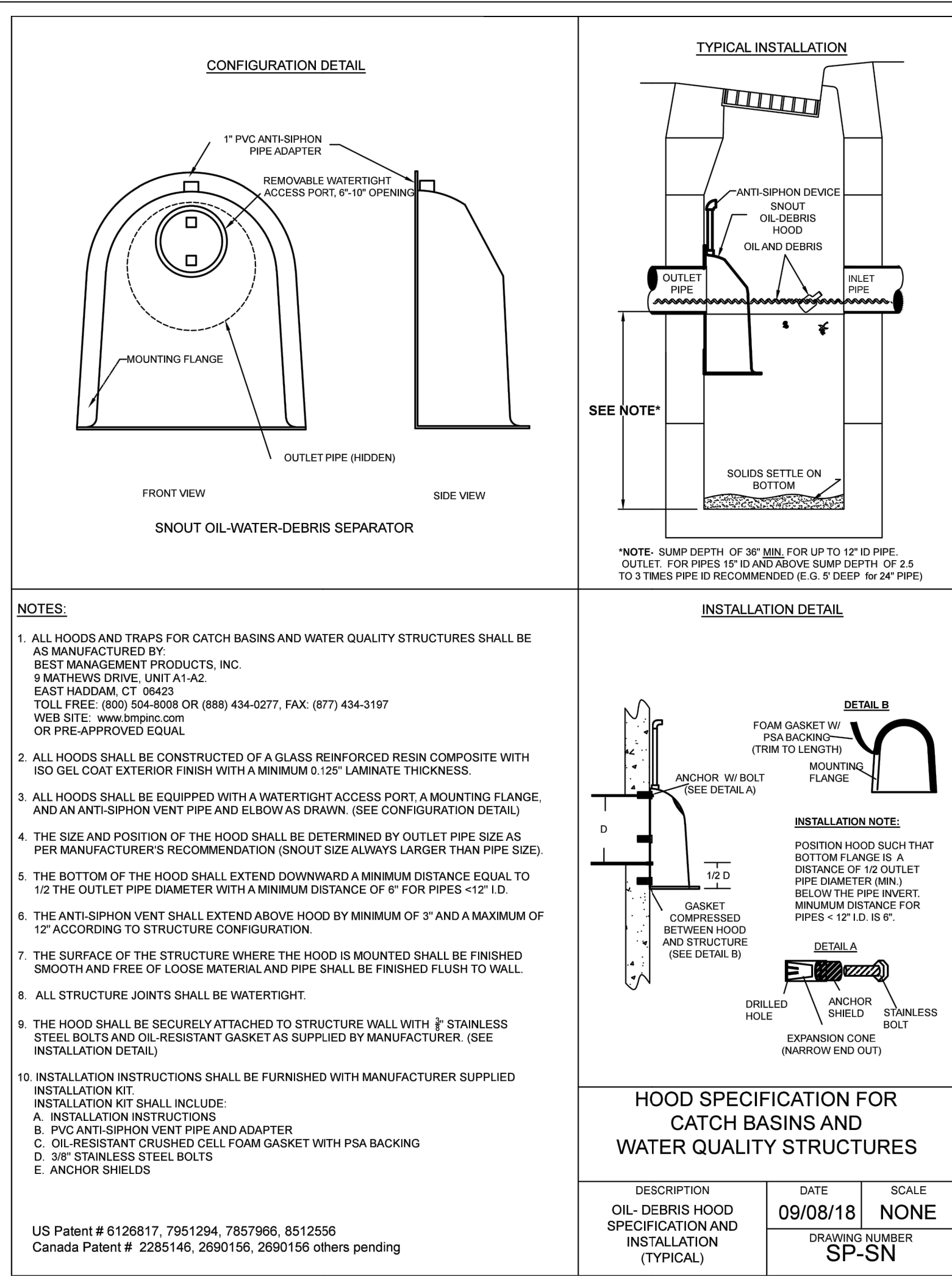
SNOUT DETAIL GI 103 PROFILE VIEW: A-A
NOT TO SCALE



U.S. PATENT #6126817 ADDITIONAL PATENTS PENDING

BMP, INC.
53 MT. ARCHER ROAD, LYME, CT. 06371
(800) 504-8008 FAX: (860) 434-3195

DESCRIPTION	DATE	SCALE
18R SNOUT OIL & DEBRIS STOP	09/06/99	NONE
DRAWING NUMBER	18R	



NOTES:

- ALL HOODS AND TRAPS FOR CATCH BASINS AND WATER QUALITY STRUCTURES SHALL BE AS MANUFACTURED BY BEST MANAGEMENT PRODUCTS, INC. 9 MATHEWS DRIVE, UNIT A1-A2, EAST HADDAM, CT 06422. TOLL FREE: (800) 504-8008 OR (888) 434-0277, FAX: (877) 434-3197. WEB SITE: www.bmpinc.com OR PRE-APPROVED EQUAL.
- ALL HOODS SHALL BE CONSTRUCTED OF A GLASS REINFORCED RESIN COMPOSITE WITH ISO GEL COAT EXTERIOR FINISH WITH A MINIMUM 0.125" LAMINATE THICKNESS.
- ALL HOODS SHALL BE EQUIPPED WITH A WATERTIGHT ACCESS PORT, A MOUNTING FLANGE, AND AN ANTI-SIPHON VENT PIPE AND ELBOW AS DRAWN. (SEE CONFIGURATION DETAIL).
- THE SIZE AND POSITION OF THE HOOD SHALL BE DETERMINED BY OUTLET PIPE SIZE AS PER MANUFACTURER'S RECOMMENDATION (SNOUT SIZE ALWAYS LARGER THAN PIPE SIZE).
- THE BOTTOM OF THE HOOD SHALL EXTEND DOWNWARD A MINIMUM DISTANCE EQUAL TO 1/2 THE OUTLET PIPE DIAMETER WITH A MINIMUM DISTANCE OF 6" FOR PIPES < 12" I.D.
- THE ANTI-SIPHON VENT SHALL EXTEND ABOVE HOOD BY MINIMUM OF 3" AND A MAXIMUM OF 12" ACCORDING TO STRUCTURE CONFIGURATION.
- THE SURFACE OF THE STRUCTURE WHERE THE HOOD IS MOUNTED SHALL BE FINISHED SMOOTH AND FREE OF LOOSE MATERIAL AND PIPE SHALL BE FINISHED FLUSH TO WALL.
- ALL STRUCTURE JOINTS SHALL BE WATERTIGHT.
- THE HOOD SHALL BE SECURELY ATTACHED TO STRUCTURE WALL WITH 3/8" STAINLESS STEEL BOLTS AND OIL-RESISTANT GASKETS SUPPLIED BY MANUFACTURER. (SEE INSTALLATION DETAIL).
- INSTALLATION INSTRUCTIONS SHALL BE FURNISHED WITH MANUFACTURER SUPPLIED INSTALLATION KIT. INSTALLATION KIT SHALL INCLUDE:
A. INSTALLATION INSTRUCTIONS
B. PVC ANTI-SIPHON VENT PIPE AND ADAPTER
C. OIL-RESISTANT CRUSHED CELL FOAM GASKET WITH PSA BACKING
D. 3/8" STAINLESS STEEL BOLTS
E. ANCHOR SHIELDS

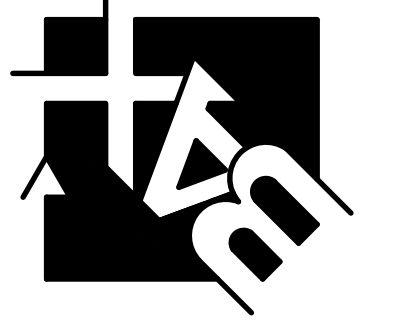
HOOD SPECIFICATION FOR CATCH BASINS AND WATER QUALITY STRUCTURES

DESCRIPTION	DATE	SCALE
OIL-DEBRIS HOOD SPECIFICATION AND INSTALLATION (TYPICAL)	09/08/18	NONE
DRAWING NUMBER	SP-SN	

US Patent # 6126817, 7951294, 7857966, 8512556
Canada Patent # 2285146, 2690156, 2690156 others pending

PROJECT TITLE:
CONSTRUCTION PLANS FOR:
First Baptist Church of O'Fallon
8750 Veterans Memorial Pkwy
O'Fallon, MO 63366

**ENGINEERING
PLANNING
SURVEYING**
221 Point West Blvd.
St. Charles, MO 63301
636-928-5552
FAX 636-928-1718



DISCLAIMER OF RESPONSIBILITY
I hereby certify that the documents intended to be authenticated by my seal are limited to this sheet, and I hereby disclaim any responsibility for all other Drawings, Specifications, Estimates, Reports or other documents or instruments relating to or intended to be used for any part or parts of the architectural or engineering project or survey.



Copyright 2022
BMP Engineering Company, Inc.
Authority No. 000855
All Rights Reserved

REVISIONS

NO.	DATE	REVISION
11-7-22		CITY COMMENTS
11-29-22		CITY COMMENTS
12-9-22		BLDG. UTILITIES
12-15-22		BID SET

Developer / Owner:
First Baptist Church of O'Fallon
8750 Veterans Memorial Pkwy
O'Fallon, MO 63366
Phone #

CONSTRUCTION DETAILS

P+Z No. 22-005714
Approved: 07-07-22
City No. 22-010520

Page No. 16 of 16

Box Project # 63-4007D Issue Date: XX/XX/2022