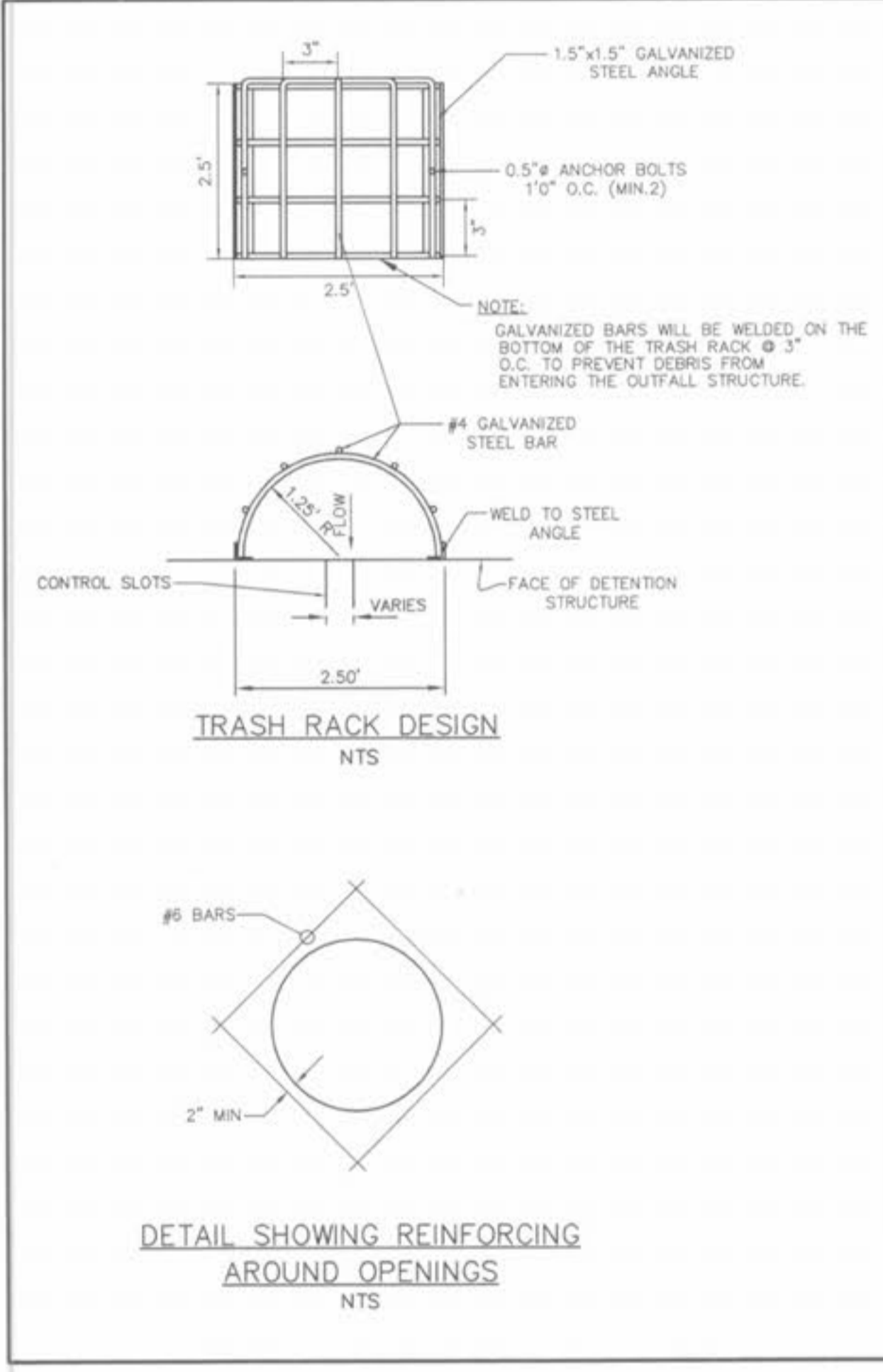
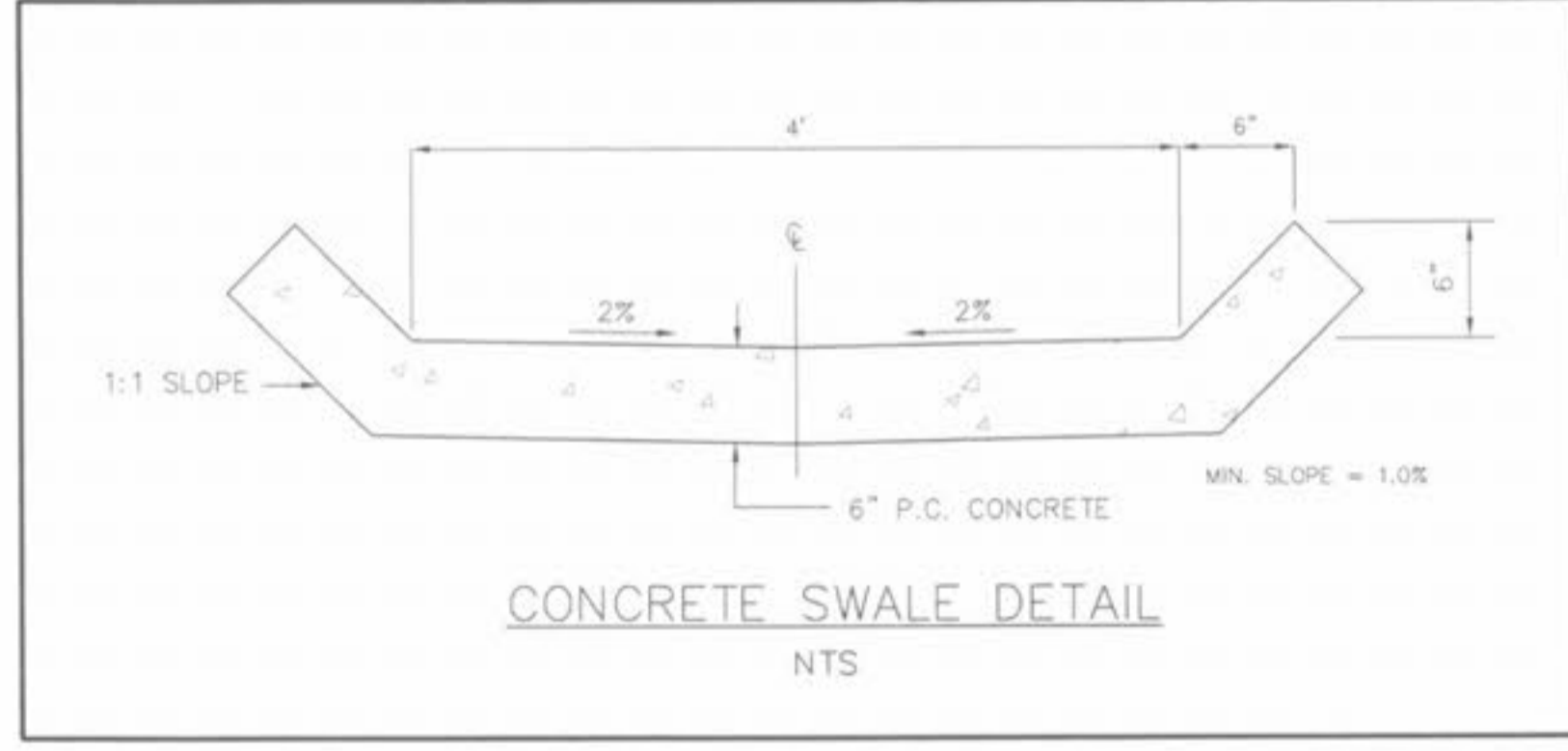
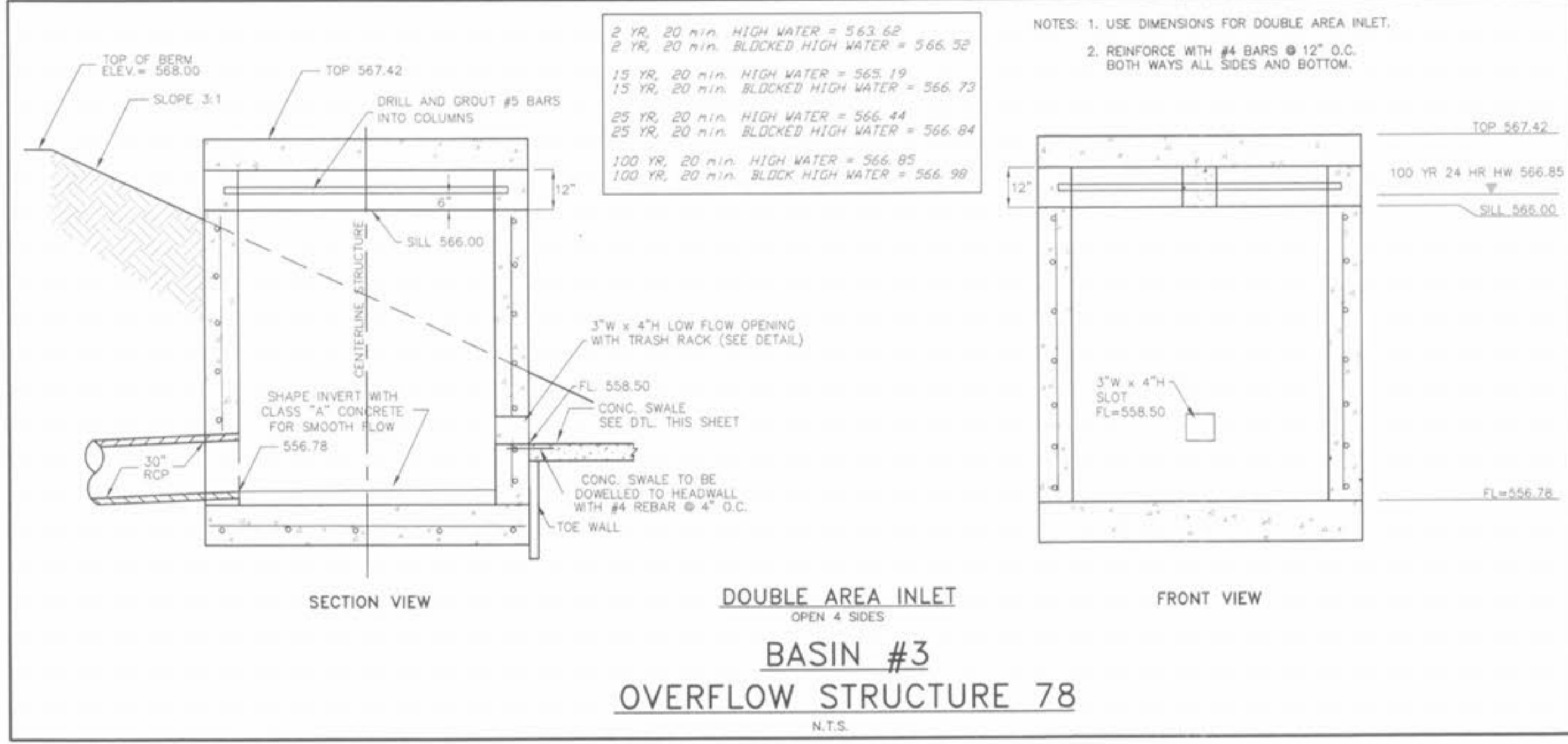
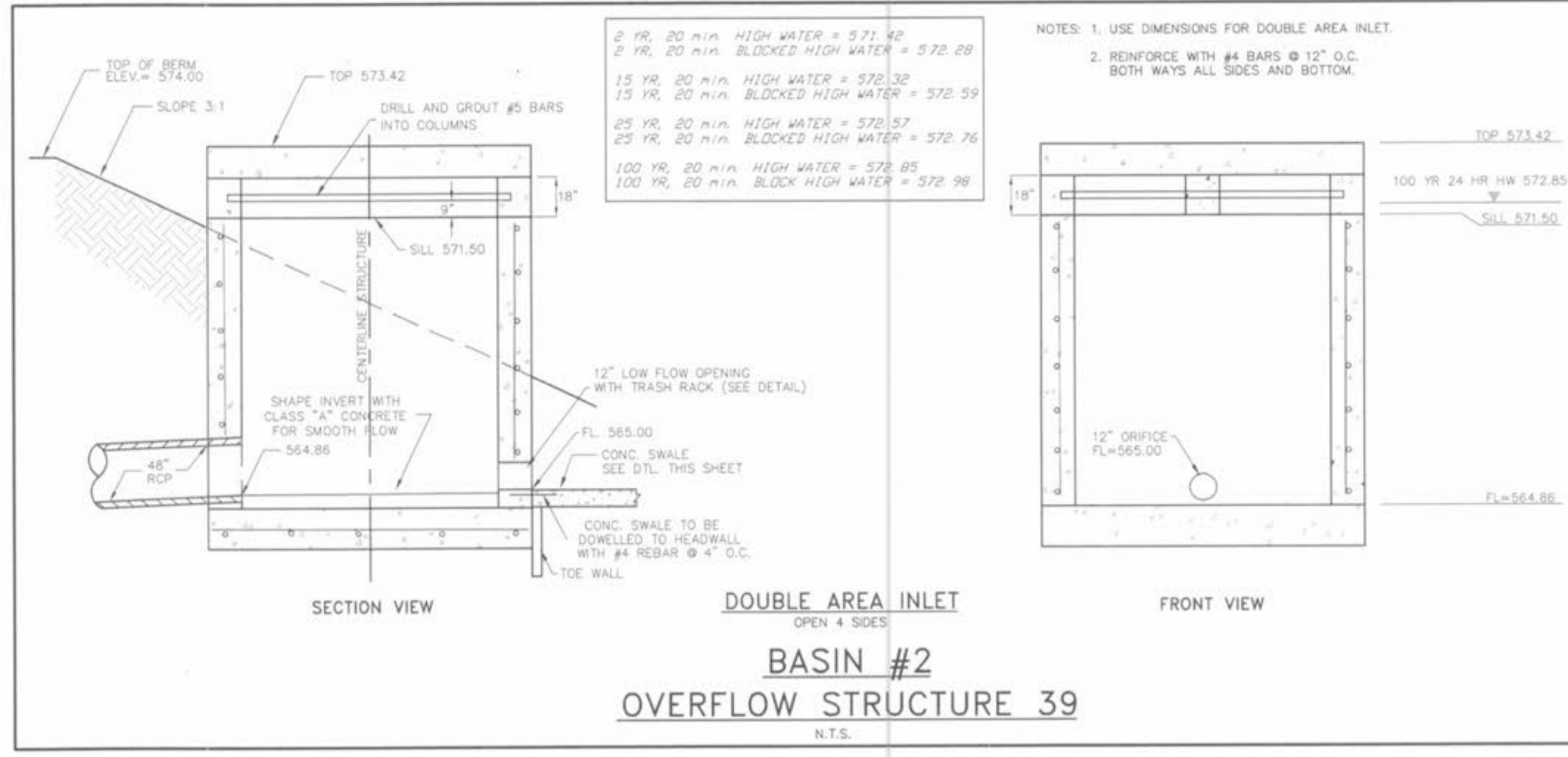
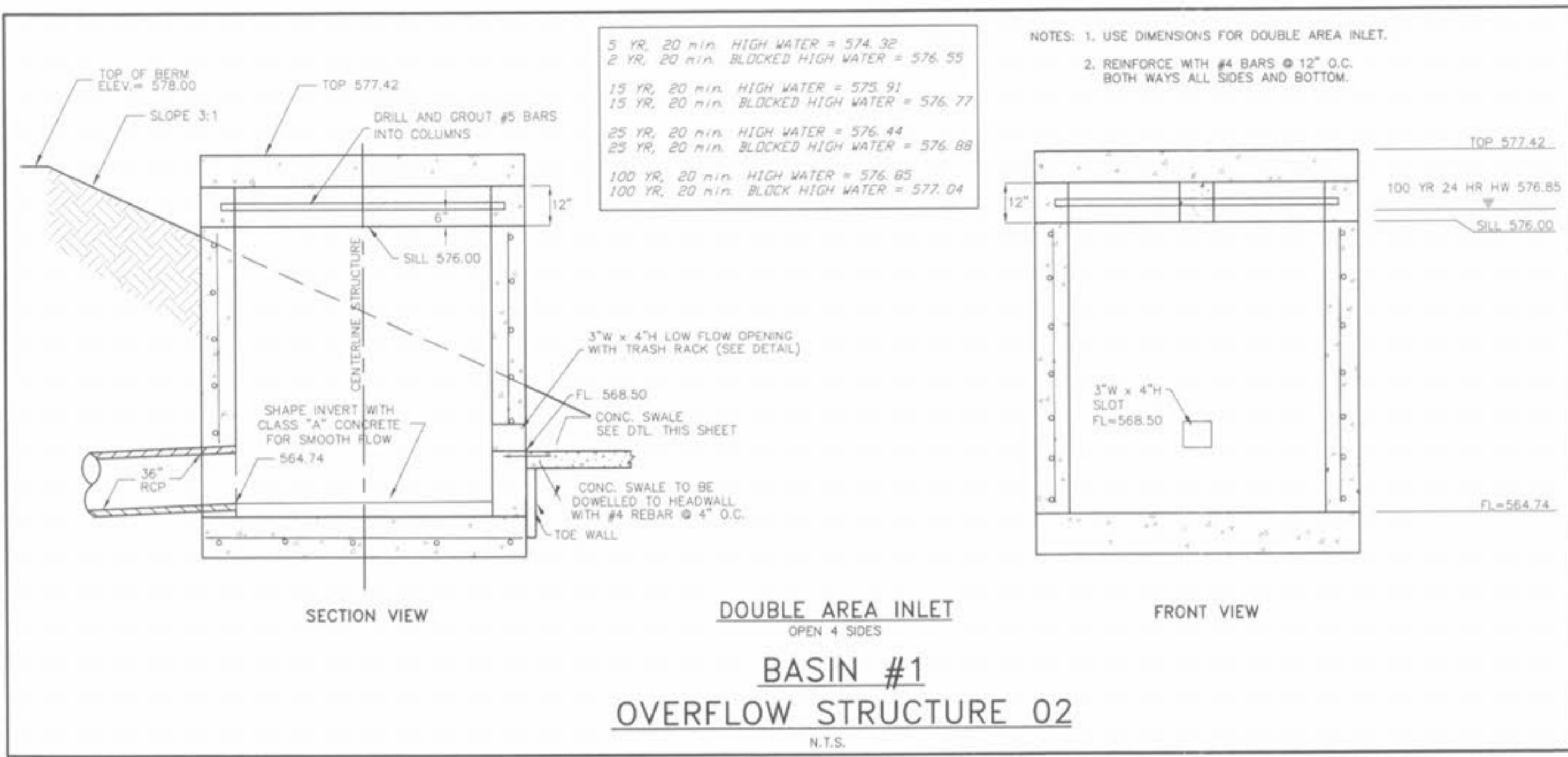


Drawing name: K:\D\0306147 Fox Haven\MPROJEVENTS\6147\MP.dwg Plotted on: Aug 23, 2005 - 11:23am Plotted by: gester



ISSUE	REMARKS/DATE
1	03-01-04 FIRST SUBMITTAL
2	06-15-04 REVISED PER CITY & DCSD COMMENTS
3	07-20-04 REVISED PER CITY COMMENTS
4	08-04-04 REVISED PER PENDING COMMENTS
5	08-15-04 REVISED PER PENDING COMMENTS
6	10-15-04 REVISED PER DEVELOPER COMMENTS
7	04-21-05 REVISED OUTFALL STRUCTURE 02
8	05-14-05 GRADING COMMENTS PER DEVELOPER

PREPARED FOR:  
**McBride & Son Homes Land Development, Inc.**  
#1 McBride & Son Center Drive  
Chesterfield, Missouri 63005  
(636) 537-2000



PREPARED BY:  
**THE STERLING CO.**  
ENGINEERS & SURVEYORS  
5055 NEW BAUMGARTNER ROAD  
ST. LOUIS, MISSOURI 63129  
(314) 467-0440 FAX 467-8844  
E-Mail: Sterling@sterling-eng-survey.com

DRAWN:	DESIGNED:	CHECKED:
--------	-----------	----------

PROJECT:  
**FOX HAVEN**

SHEET TITLE:  
**OUTFALL STRUCTURE DETAILS**

NO.	03	06	147
M.S.D.	SHEET		
P#	27		
DIGITAL FILE LOCATION	SEWER=STERLING-2		
FILE NAME	0306147.dwg		
OF	48		