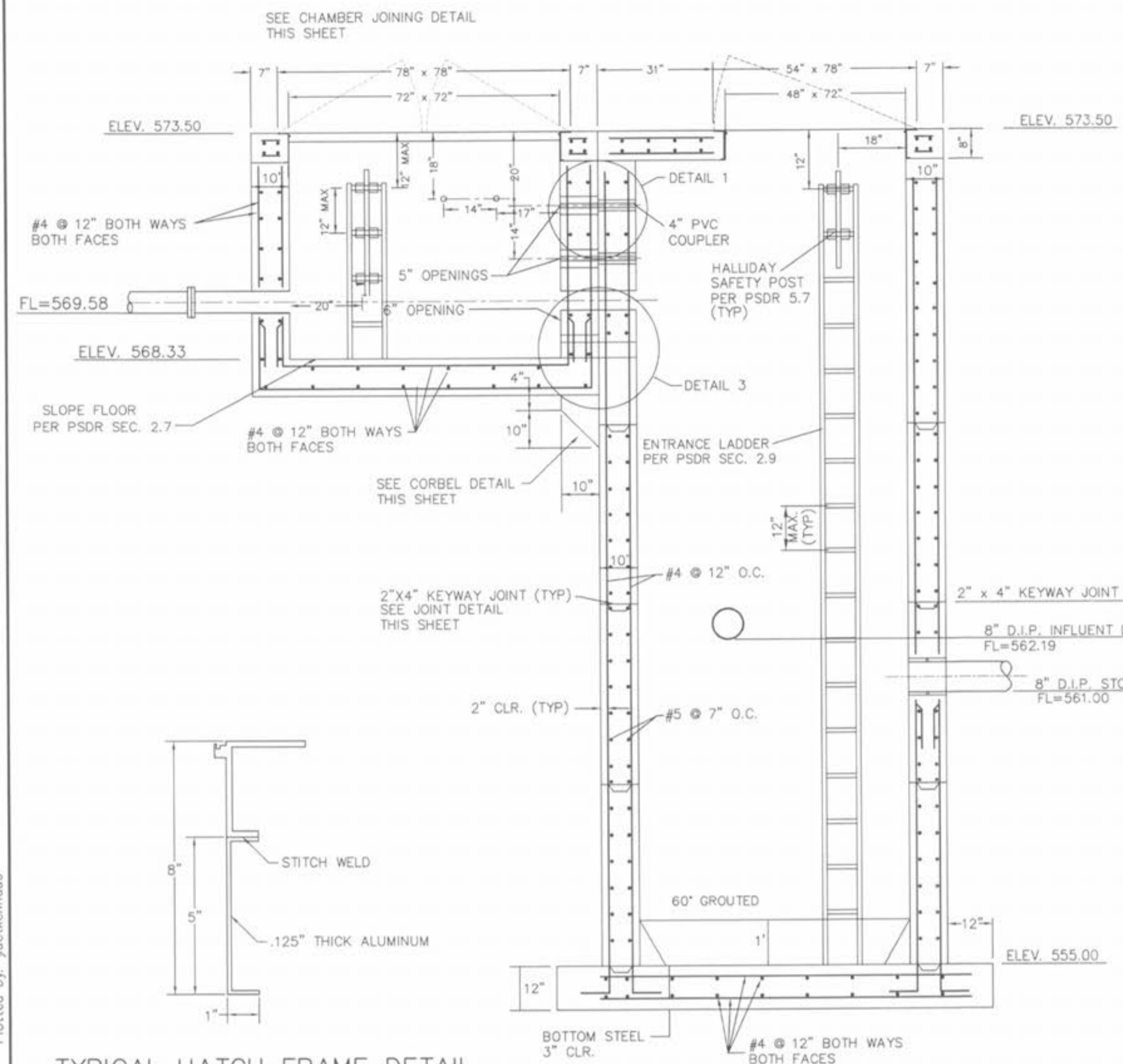
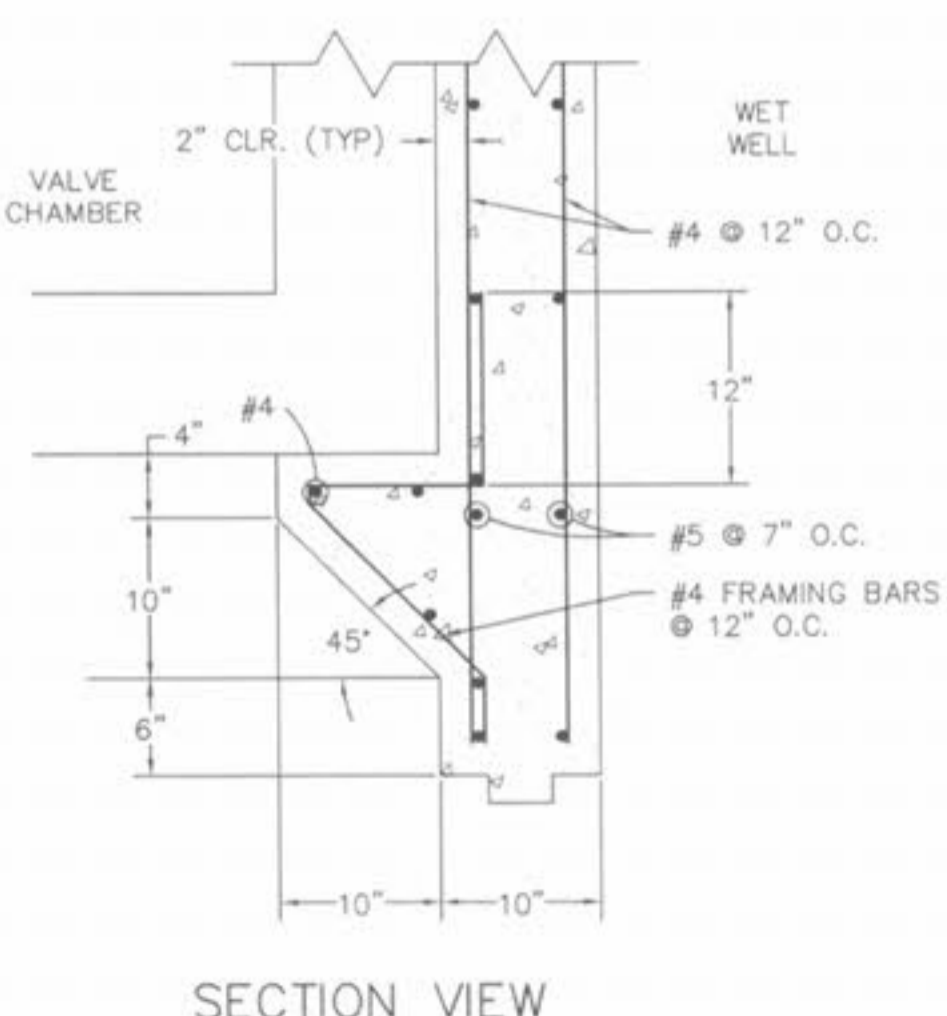


Drawing name: K:\D\0306147 Fox Haven\IMPROVEMENTS\6147PUMPDETAIL.dwg Plotted on: Aug 24, 2005 - 8:24am Plotted by: Juetkenhaus

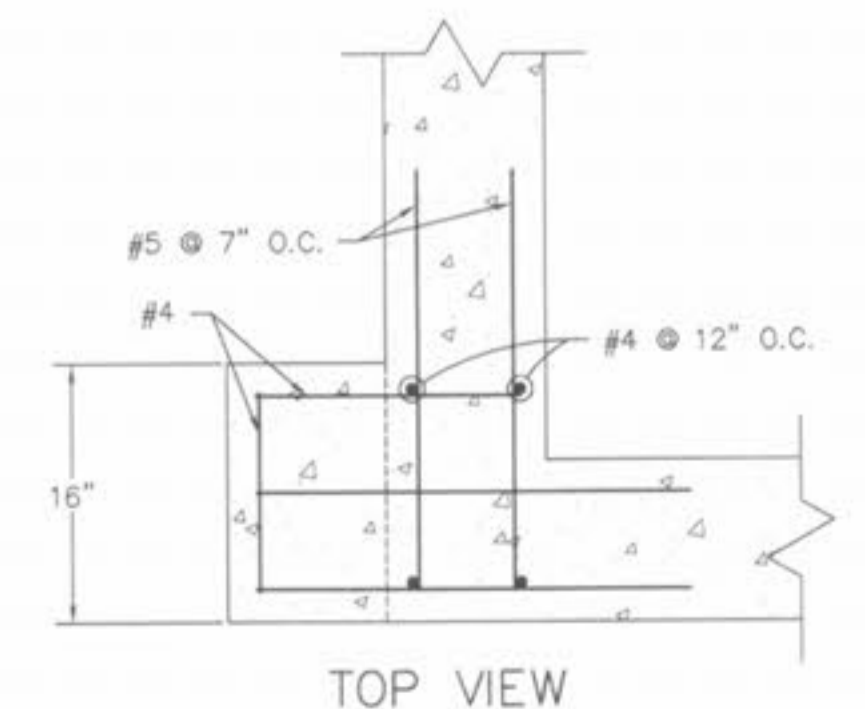


TYPICAL HATCH FRAME DETAIL
N.T.S.

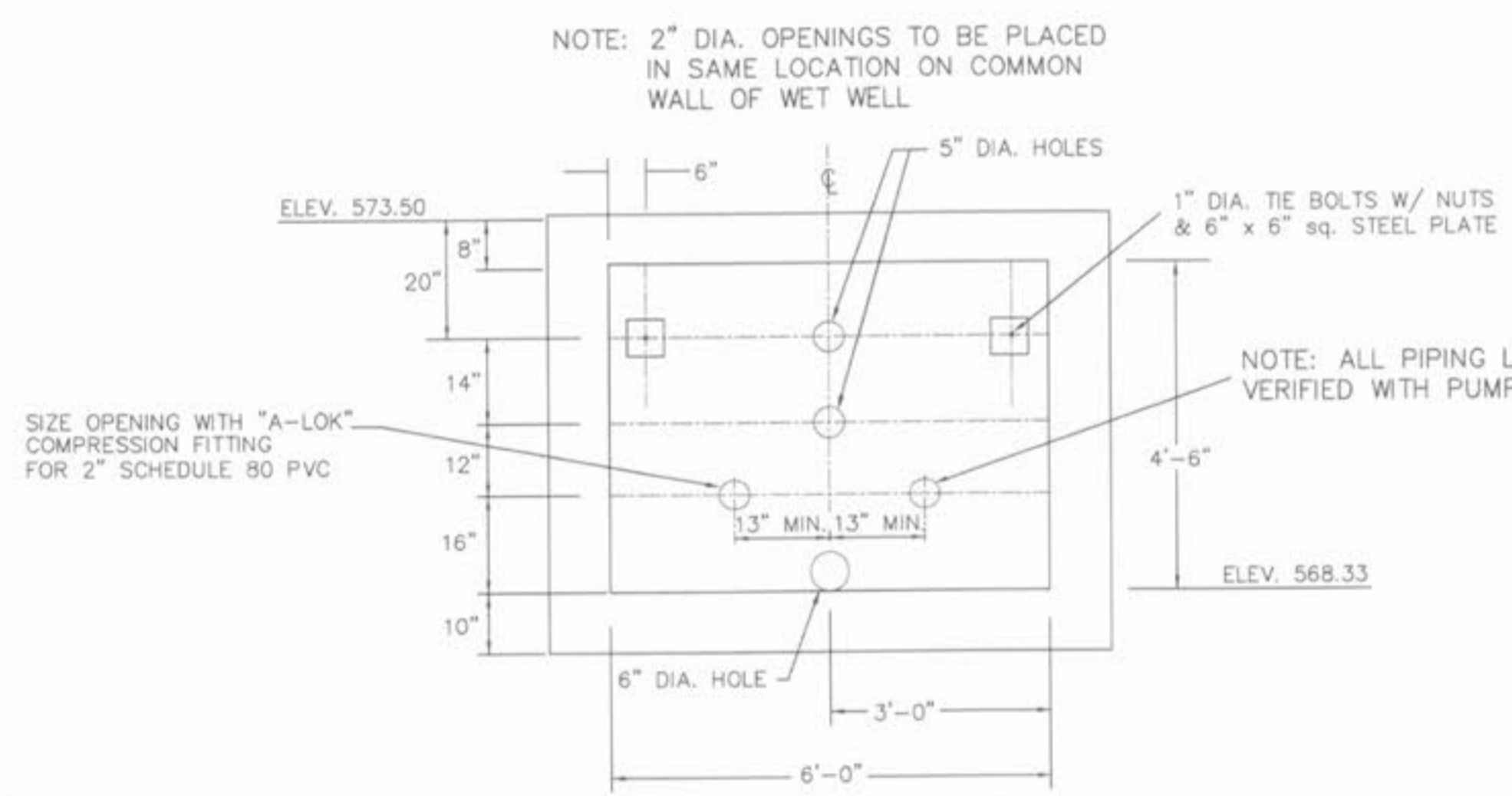


SECTION VIEW

CORBEL DETAIL
SCALE: 1" = 1'-0"

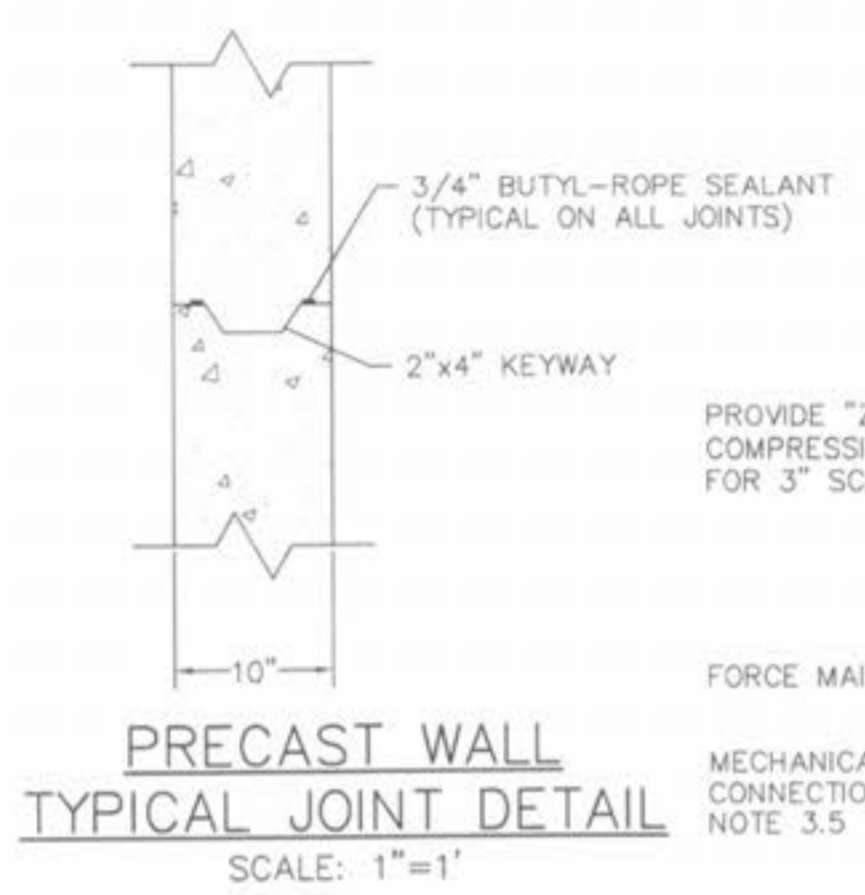


TOP VIEW

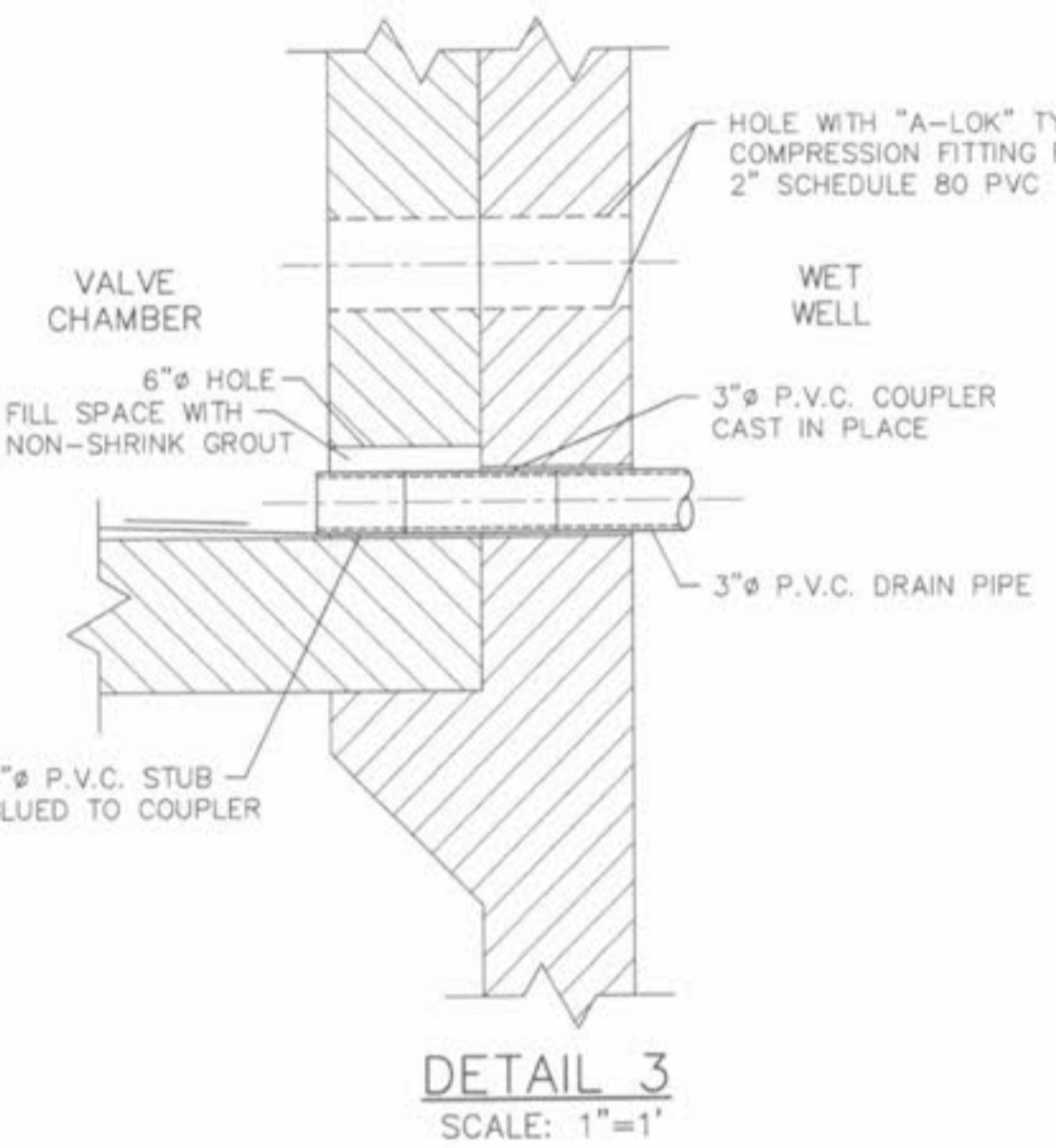


SECTION "B-B"
VALVE CHAMBER
WALL OPENING DETAIL
SCALE: 1/2" = 1'-0"

NOTE: 2" DIA. OPENINGS TO BE PLACED IN SAME LOCATION ON COMMON WALL OF WET WELL



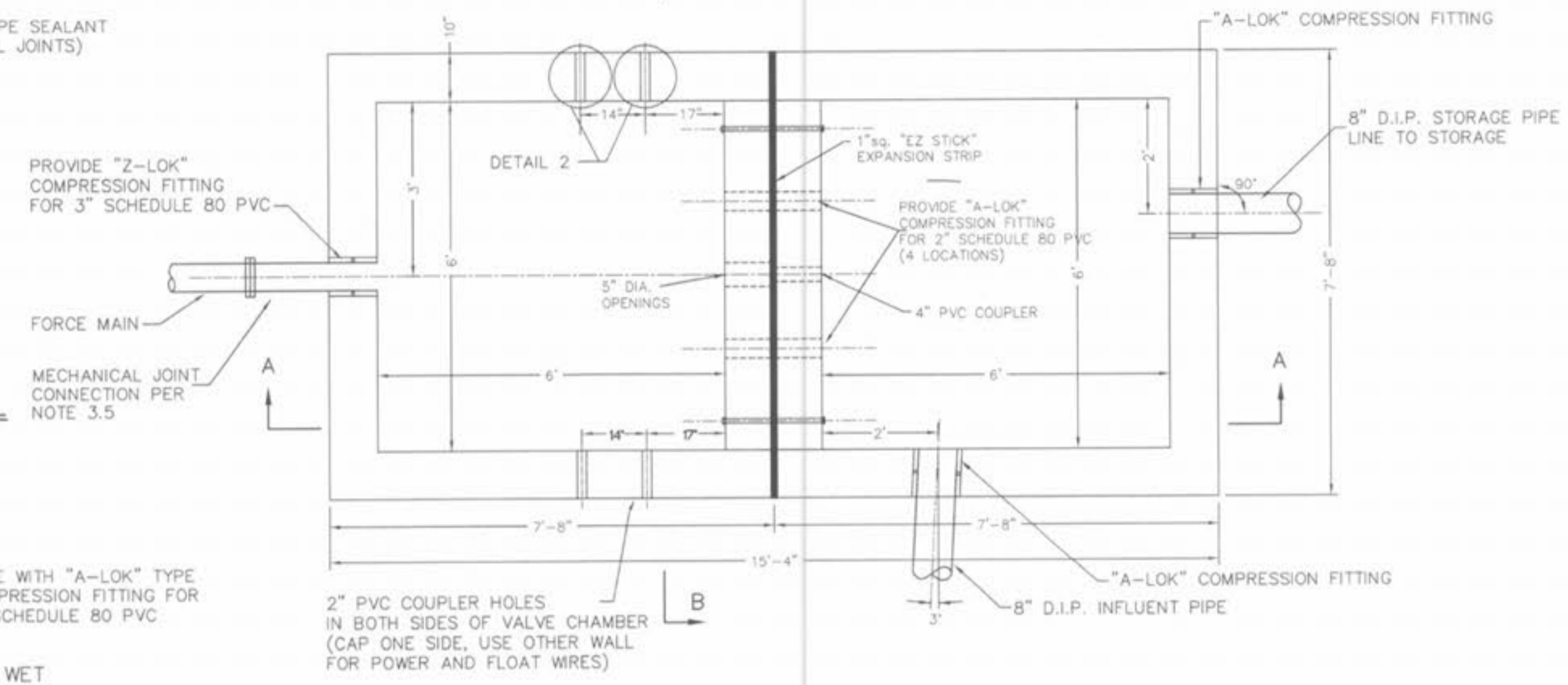
PRECAST WALL
TYPICAL JOINT DETAIL
SCALE: 1" = 1'



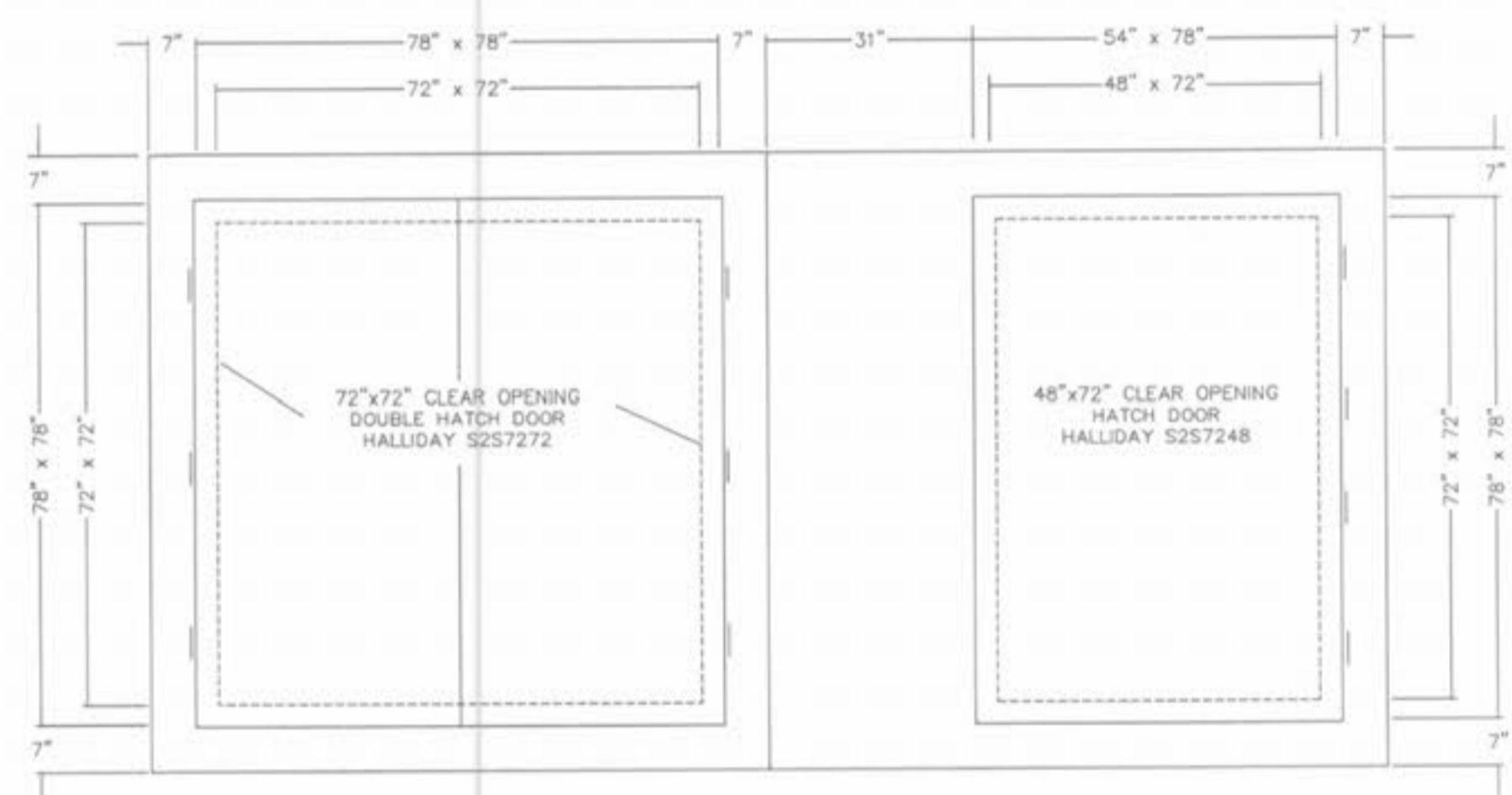
DETAIL 3
SCALE: 1" = 1'

EXCAVATION SHOULD BE VERIFIED BY GEOTECHNICAL ENGINEER TO CONFIRM THAT SOILS ARE SUITABLE FOR PLACEMENT OF PUMP STATION.

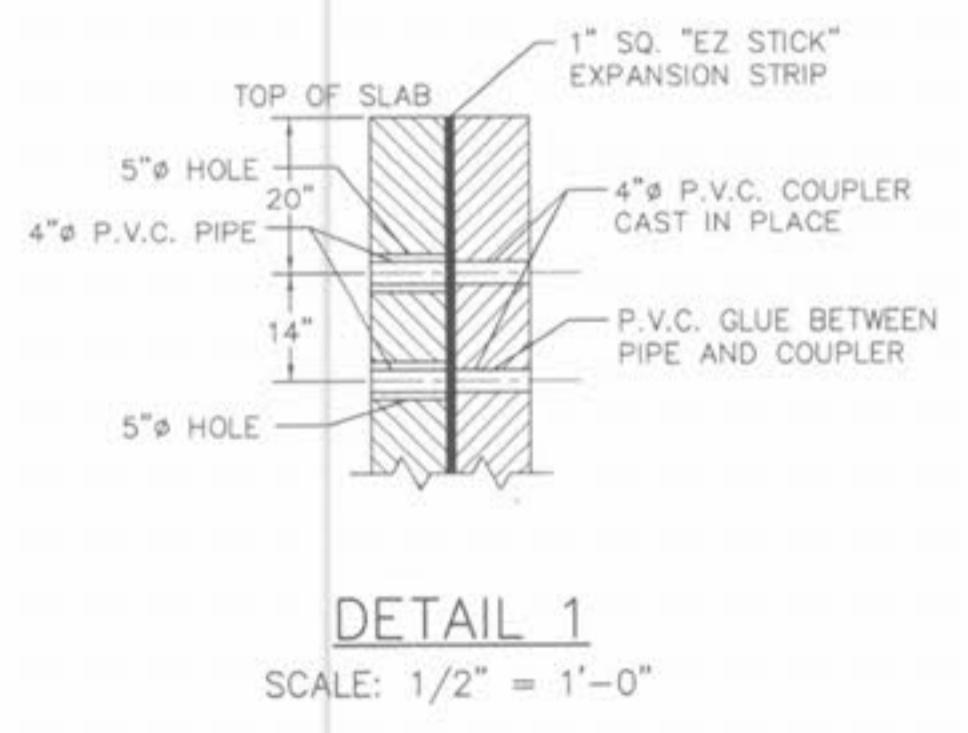
THE PROFESSIONAL WHOSE SIGNATURE AND PERSONAL SEAL APPEAR HEREON, ASSUMES RESPONSIBILITY ONLY FOR WHAT APPEARS ON THIS PAGE, AND DISCLAIMS (PURSUANT TO SECTION 327.411 RSMO) ANY RESPONSIBILITY FOR ALL OTHER PLANS, SPECIFICATIONS, ESTIMATES, REPORTS, OR OTHER DOCUMENTS OR INSTRUMENTS NOT SEALED BY THE UNDERSIGNED PROFESSIONAL RELATING TO OR INTENDED TO BE USED FOR ANY PART OR PARTS OF THE PROJECT TO WHICH THIS PAGE REFERS.



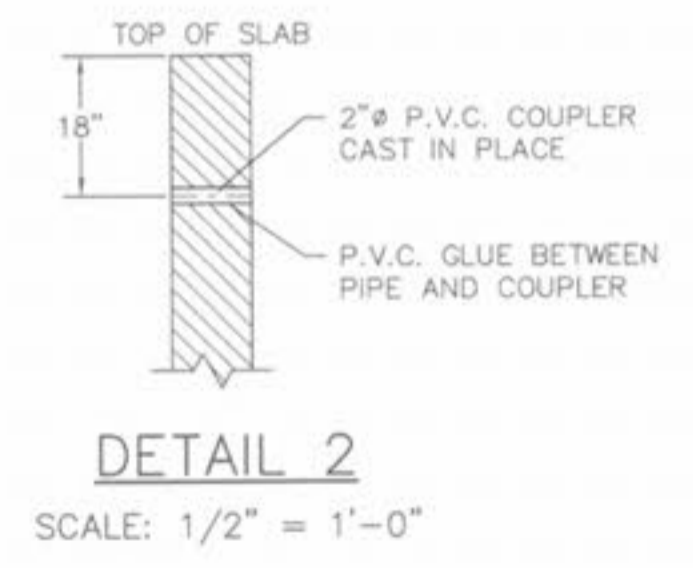
WET WELL & VALVE CHAMBER
SCALE: 1/2" = 1'-0"



HATCH LOCATION DETAIL
PLAN
SCALE: 1/2" = 1'-0"



DETAIL 1
SCALE: 1/2" = 1'-0"



DETAIL 2
SCALE: 1/2" = 1'-0"

ISSUE	REMARKS/DATE
1	03-01-04 FIRST SUBMITTAL
2	06-15-04 REVISED PER CITY & DCSD COMMENTS
3	07-20-04 REVISED PER CITY COMMENTS
4	08-04-04 REVISED PER DCSD COMMENTS

PREPARED FOR:
**McBride & Son Homes
Land Development, Inc.**
#1 McBride & Son Center Drive
Chesterfield, Missouri 63005
(636) 537-2000



THE **STERLING** CO.
ENGINEERS & SURVEYORS
5055 NEW BALMAGNETER ROAD
ST. LOUIS, MISSOURI 63129
(314) 487-0440 FAX 487-8944
E-Mail: Sterling@sterling-eng-survey.com

DRAWN: [] DESIGNED: [] CHECKED: []

PROJECT: **FOX HAVEN**
SHEET TITLE: **PUMP STATION #1 DETAILS**

NO.	03 06 147
M.S.D.	SHEET
P#	39
DIGITAL FILE LOCATION	SERVER=STOLING-2
DATE	8/24/05