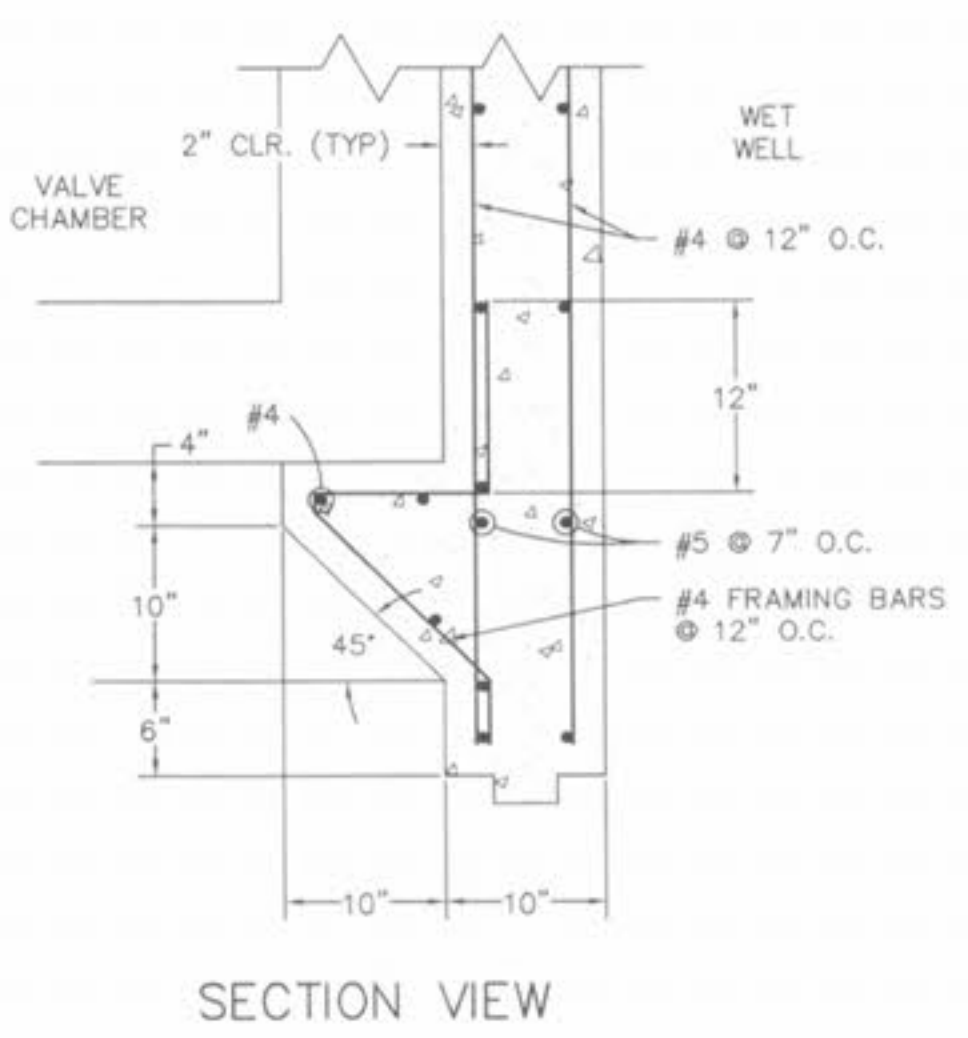
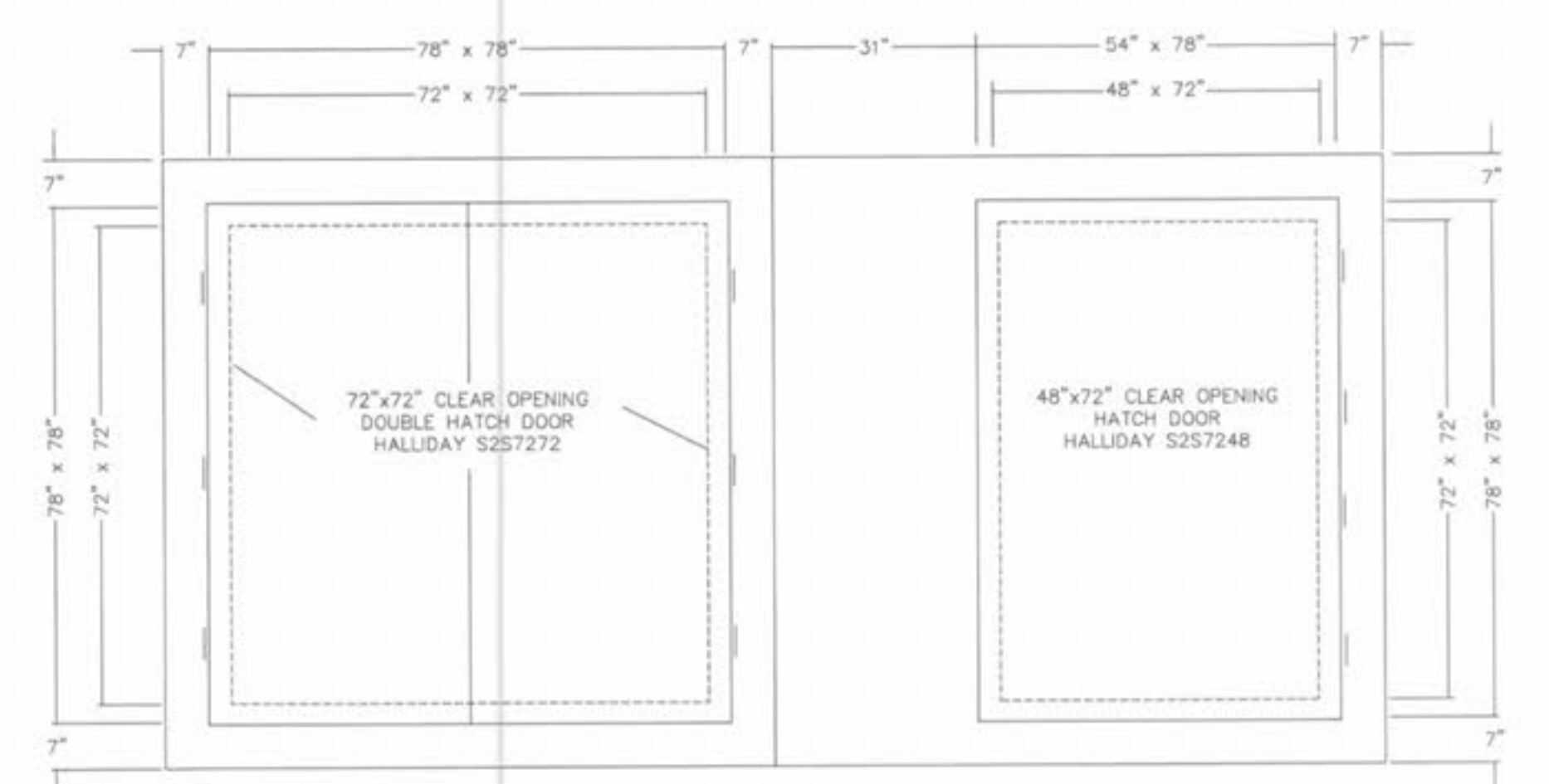
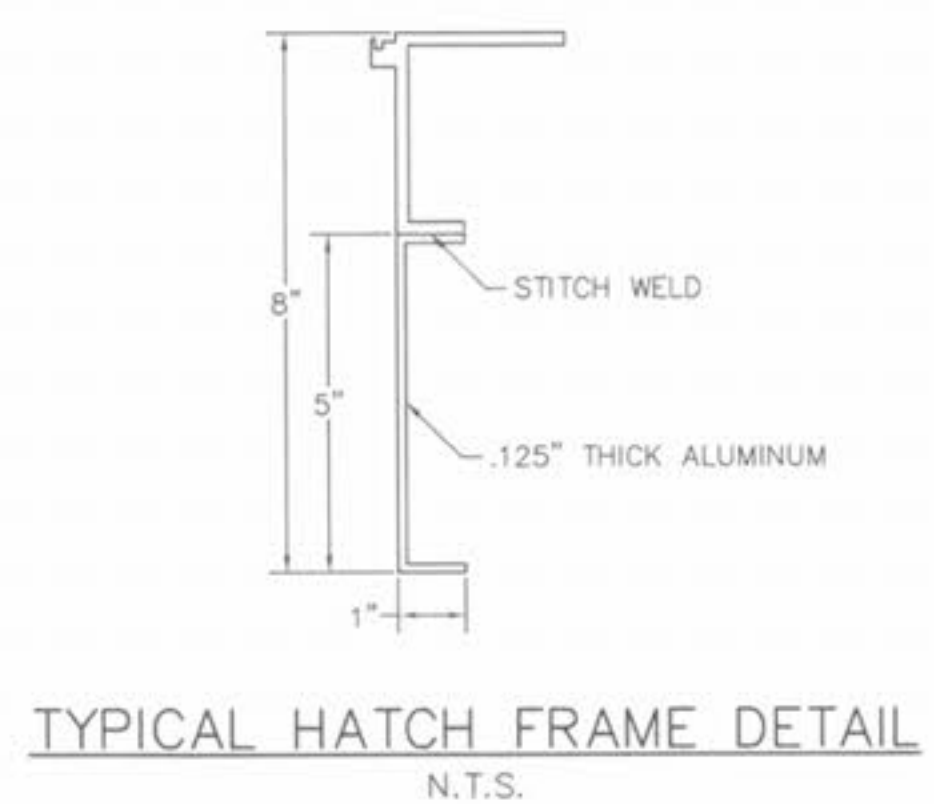
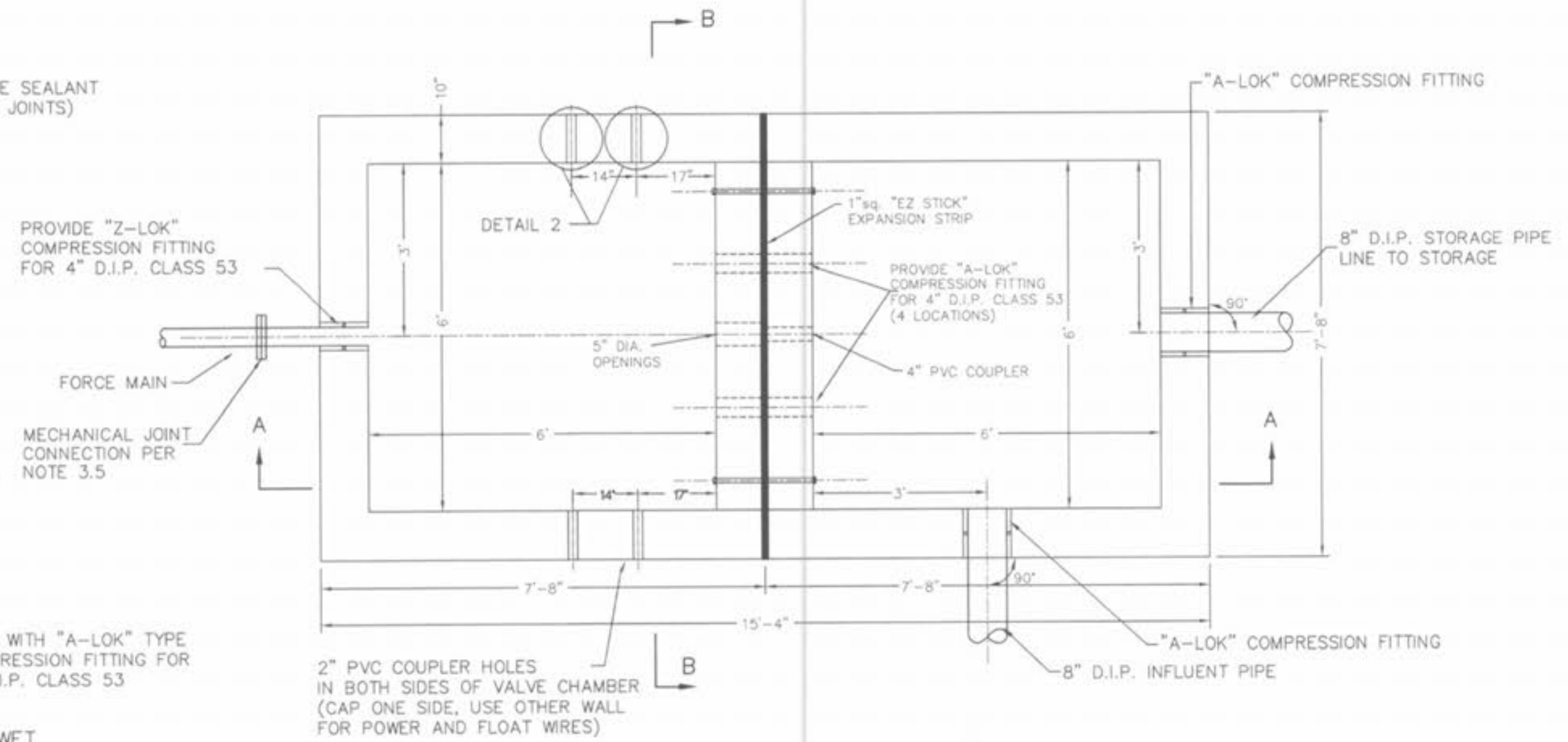
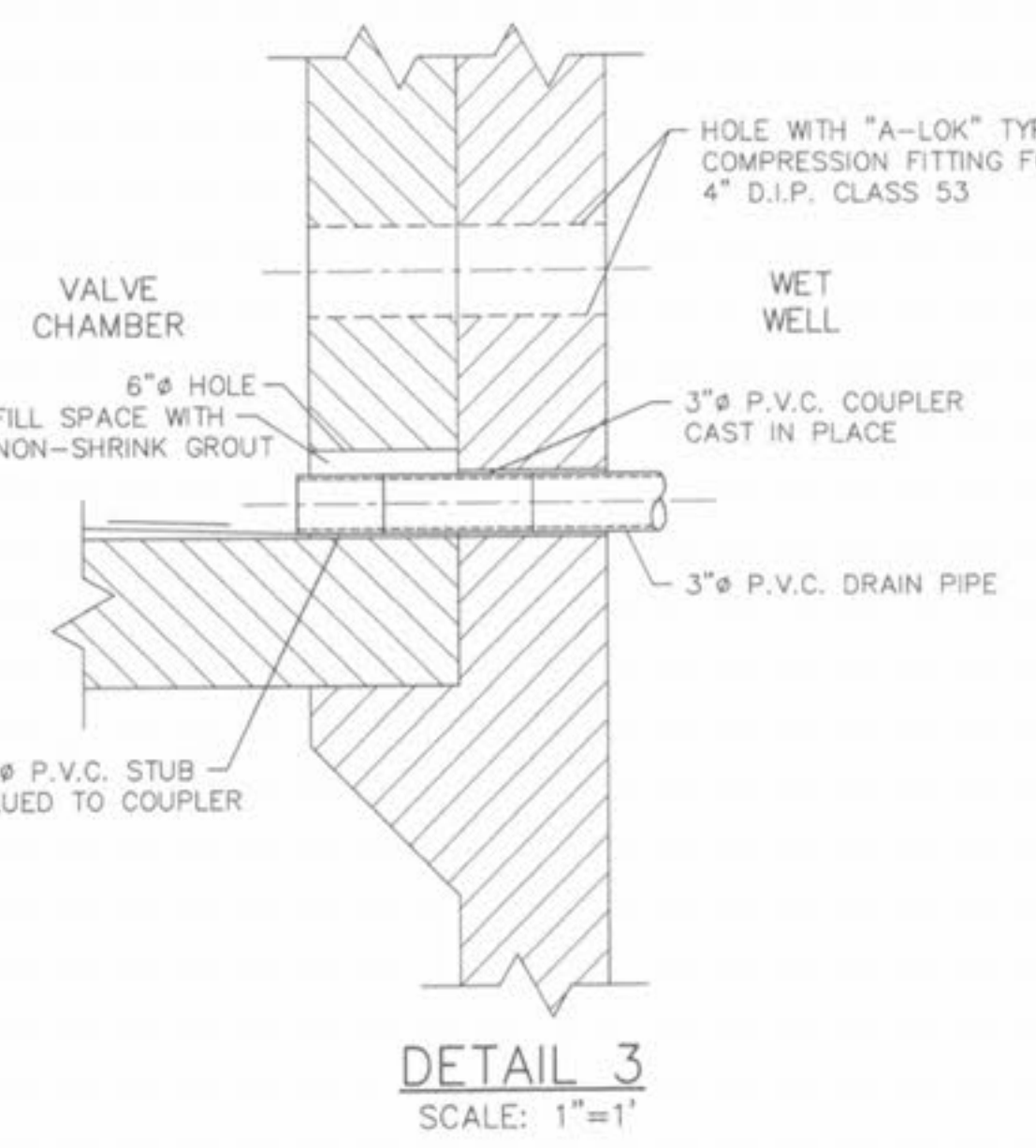
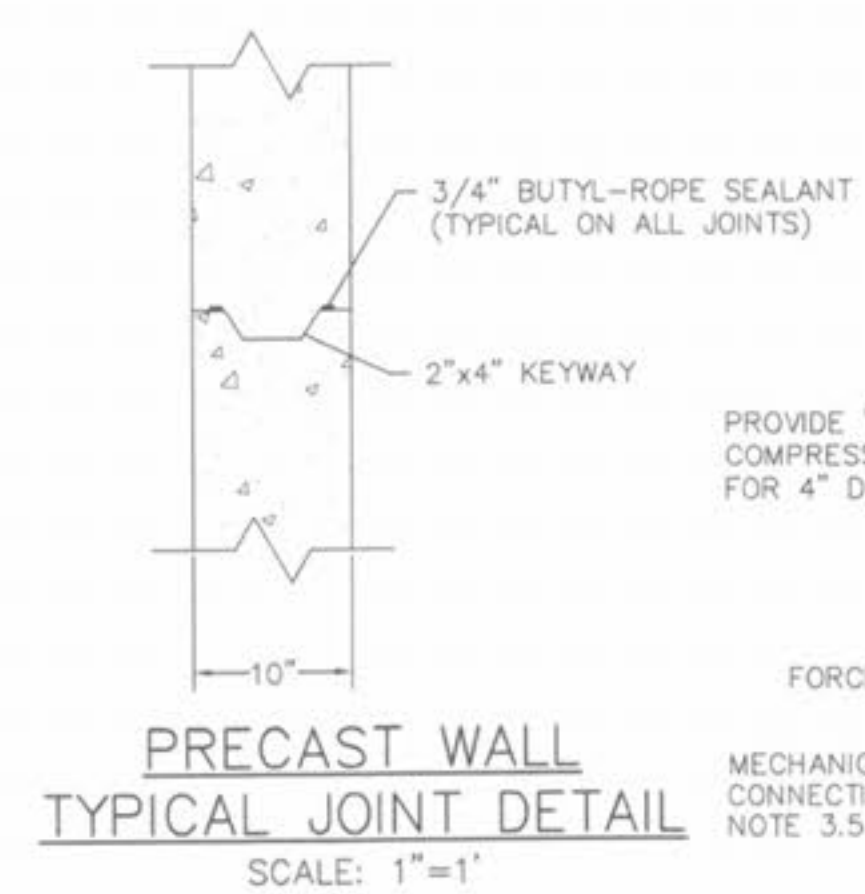
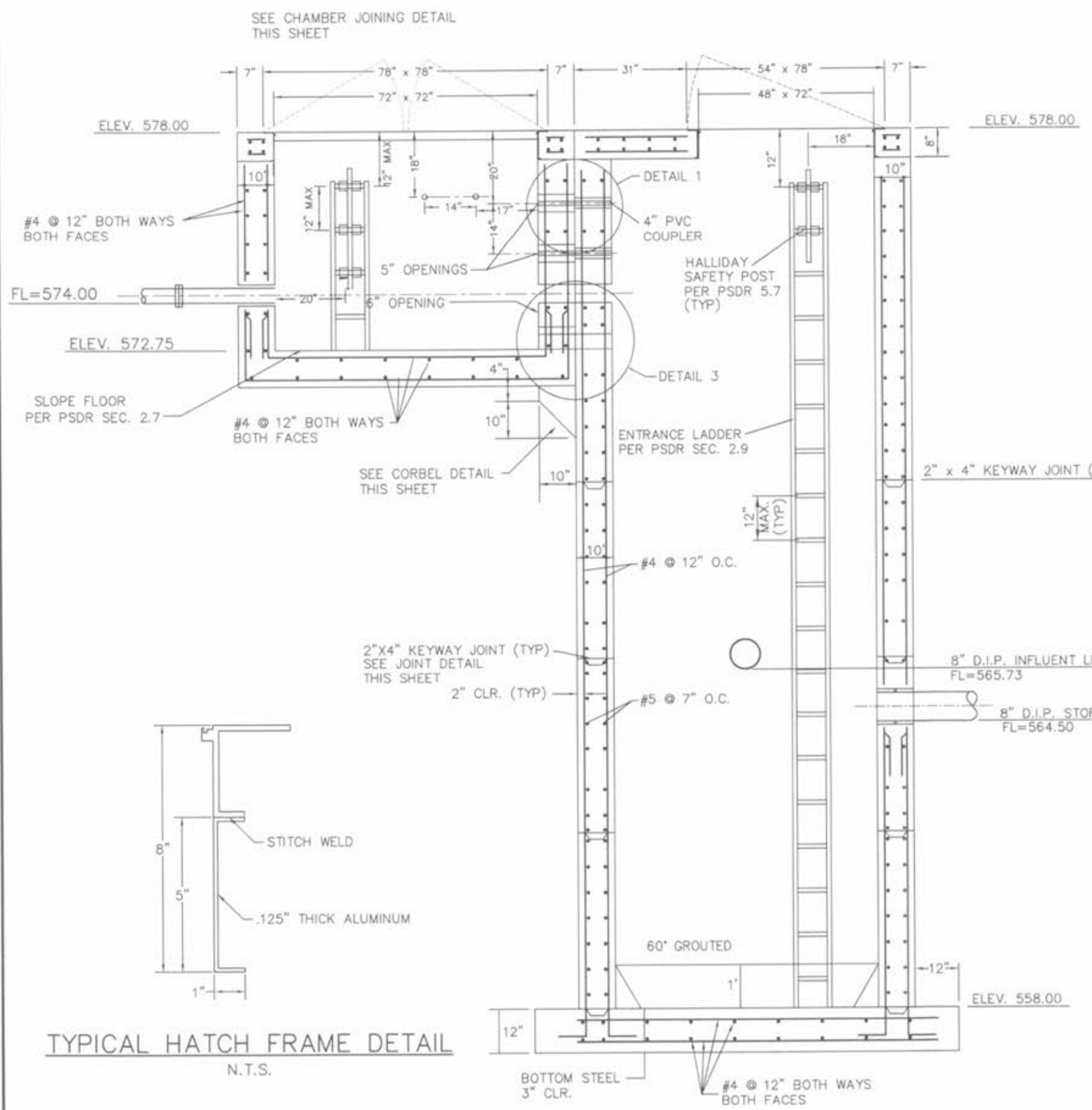
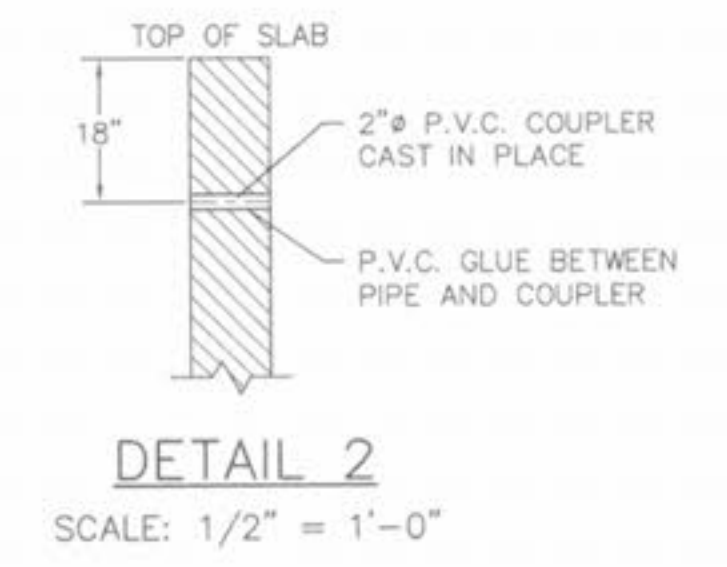
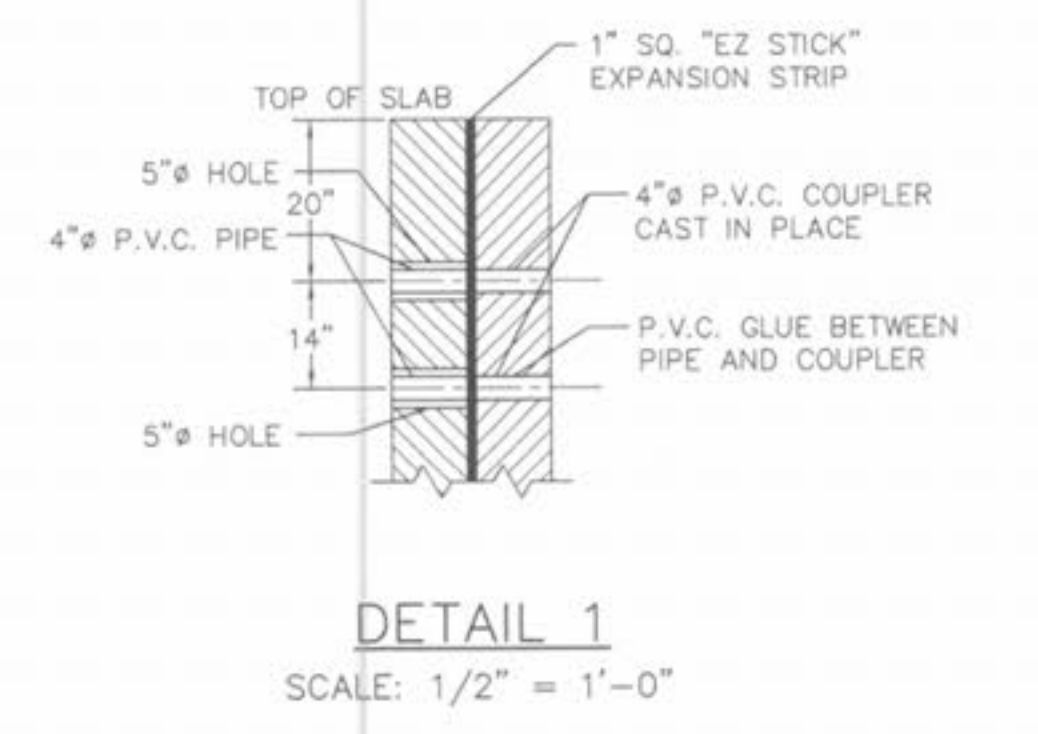
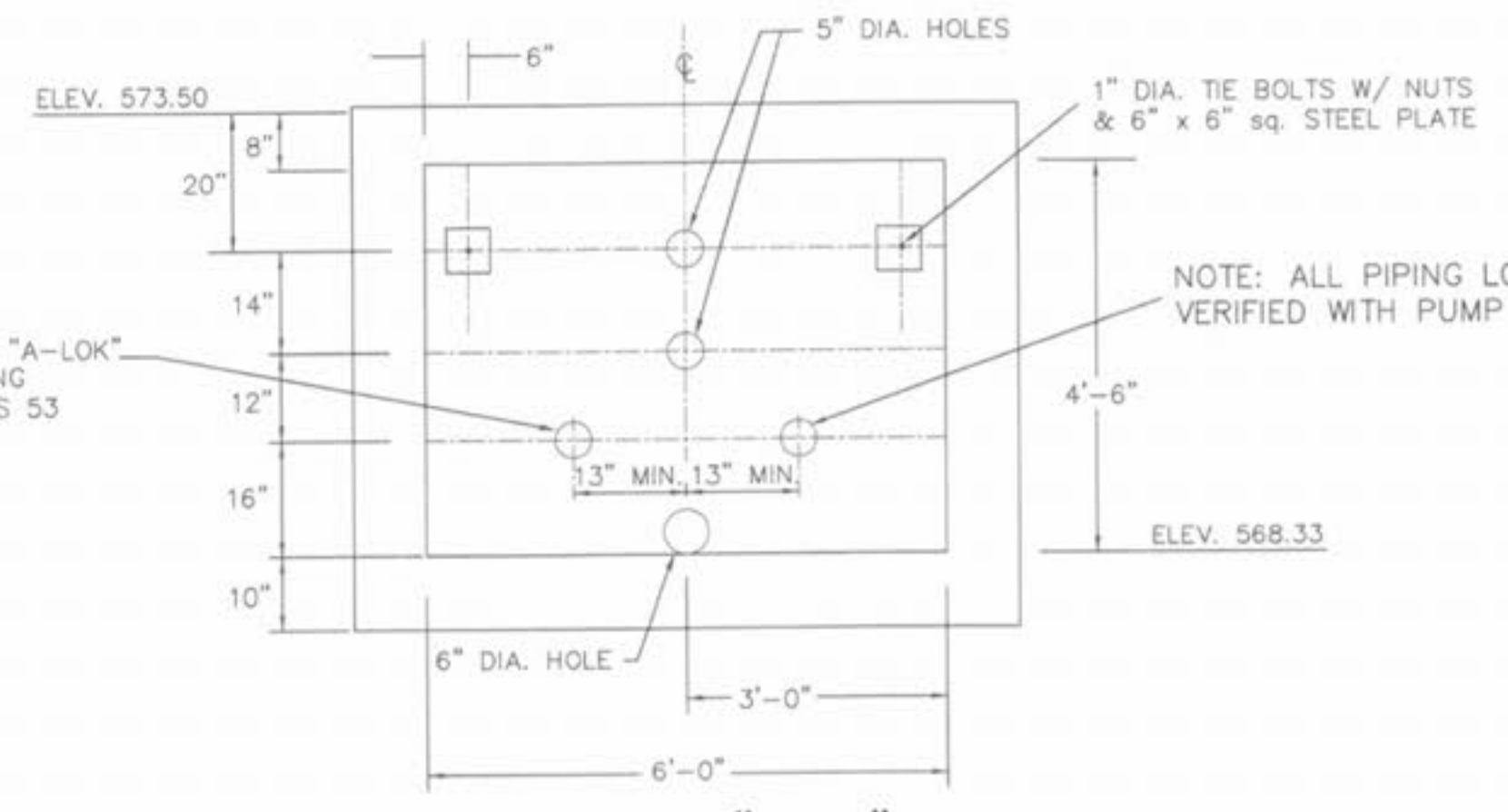
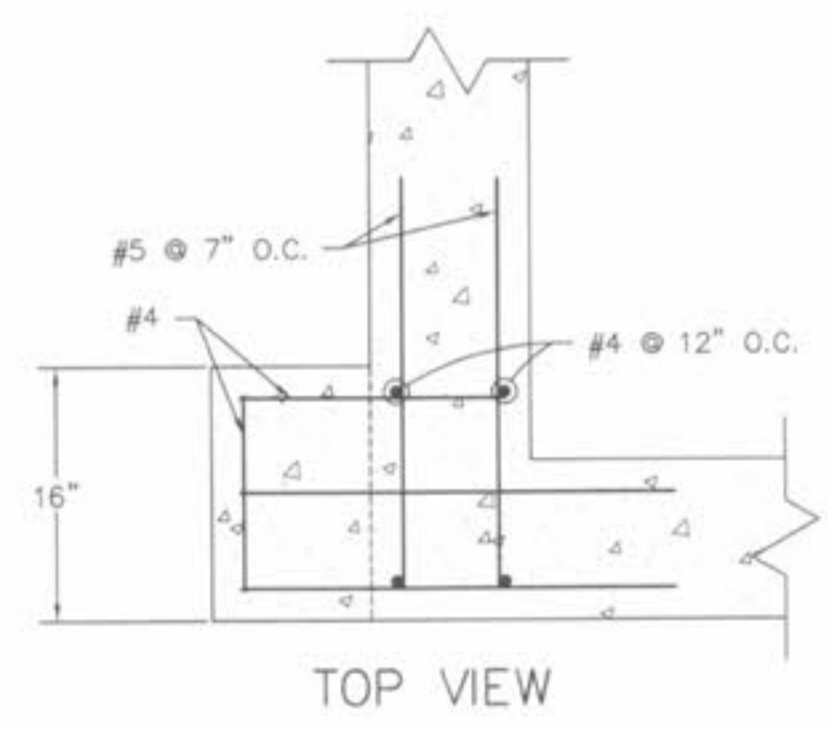


Drawing name: K:\D\0306147 Fox Haven\IMPROVEMENTS\6147PUMPDETAIL.dwg Plotted on: Aug 24, 2005 8:17am Plotted by: juelkenhaus



CORBEL DETAIL SCALE: 1" = 1'-0"



EXCAVATION SHOULD BE VERIFIED BY GEOTECHNICAL ENGINEER TO CONFIRM THAT SOILS ARE SUITABLE FOR PLACEMENT OF PUMP STATION.

THE PROFESSIONAL WHOSE SIGNATURE AND PERSONAL SEAL APPEAR HEREON, ASSUMES RESPONSIBILITY ONLY FOR WHAT APPEARS ON THIS PAGE, AND DISCLAIMS (PURSUANT TO SECTION 327.411 RSMO) ANY RESPONSIBILITY FOR ALL OTHER PLANS, SPECIFICATIONS, ESTIMATES, REPORTS, OR OTHER DOCUMENTS OR INSTRUMENTS NOT SEALED BY THE UNDERSIGNED PROFESSIONAL RELATING TO OR INTENDED TO BE USED FOR ANY PART OR PARTS OF THE PROJECT TO WHICH THIS PAGE REFERS.

ISSUE	REMARKS/DATE
1	03-01-04 FIRST SUBMITTAL
2	06-15-04 REVISED PER CITY & DCSD COMMENTS
3	07-20-04 REVISED PER CITY COMMENTS
4	08-04-04 REVISED PER DCSD COMMENTS

PREPARED FOR:
McBride & Son Homes
 Land Development, Inc.
 #1 McBride & Son Center Drive
 Chesterfield, Missouri 63005
 (636) 537-2000



PREPARED BY:
THE STERLING CO.
 ENGINEERS & SURVEYORS
 5055 NEW BAUMGARTNER ROAD
 ST. LOUIS, MISSOURI 63129
 (314)-487-0440 FAX 487-8944
 E-Mail: Sterling@sterling-eng-survey.com

DRAWN:	DESIGNED:	CHECKED:

PROJECT:
FOX HAVEN

SHEET TITLE:
 PUMP STATION #2 DETAILS

NO.	03	06	147
M.S.D.			SHEET
P#		47	
DIGITAL FILE LOCATION:	S:\P\STERLING-2		
DATE PLOTTED:	8/24/05		
			48

BASE MAP