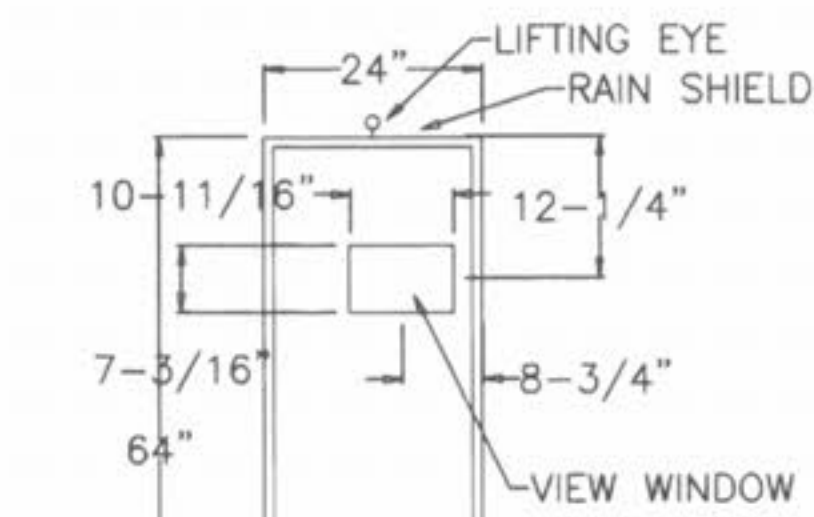
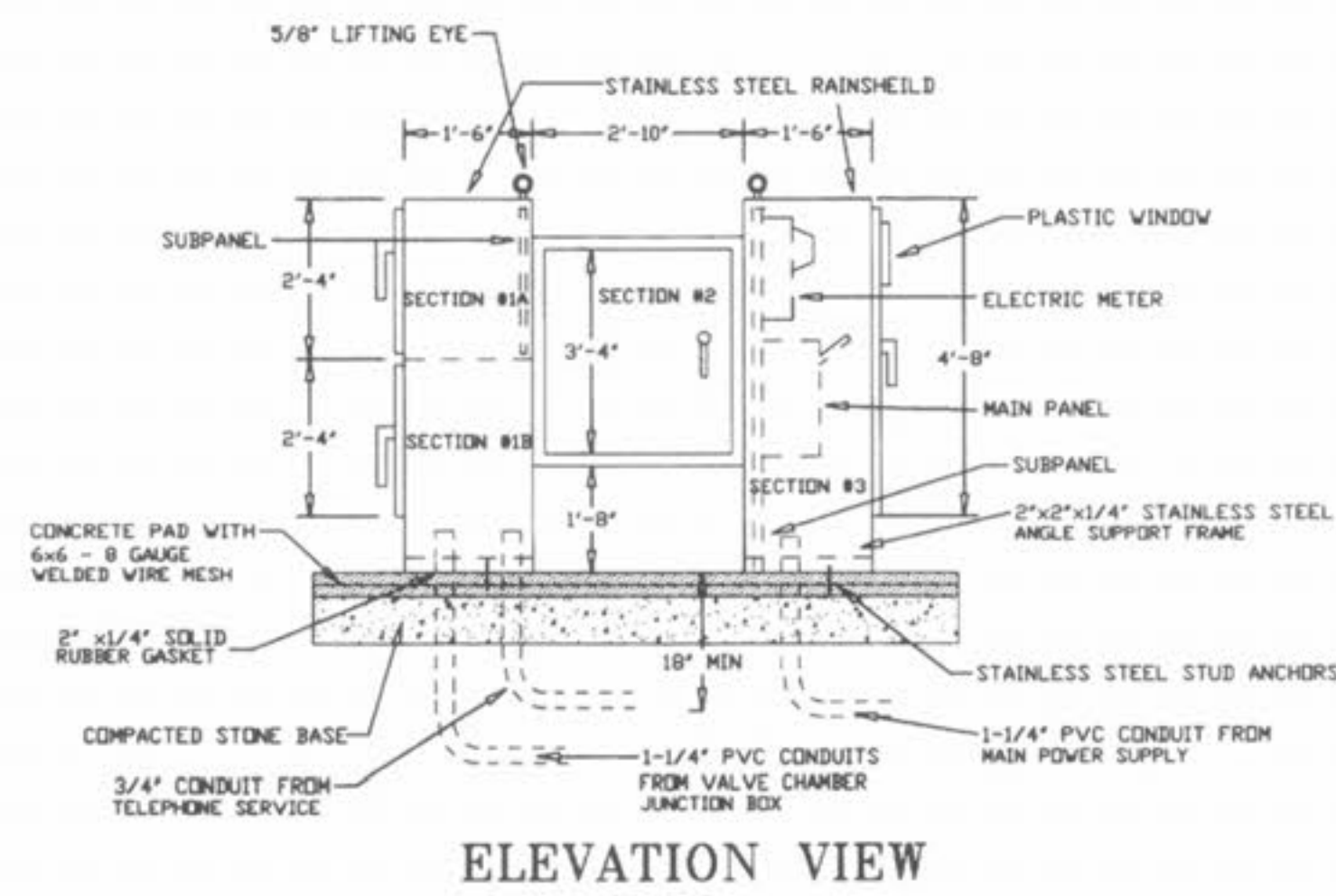


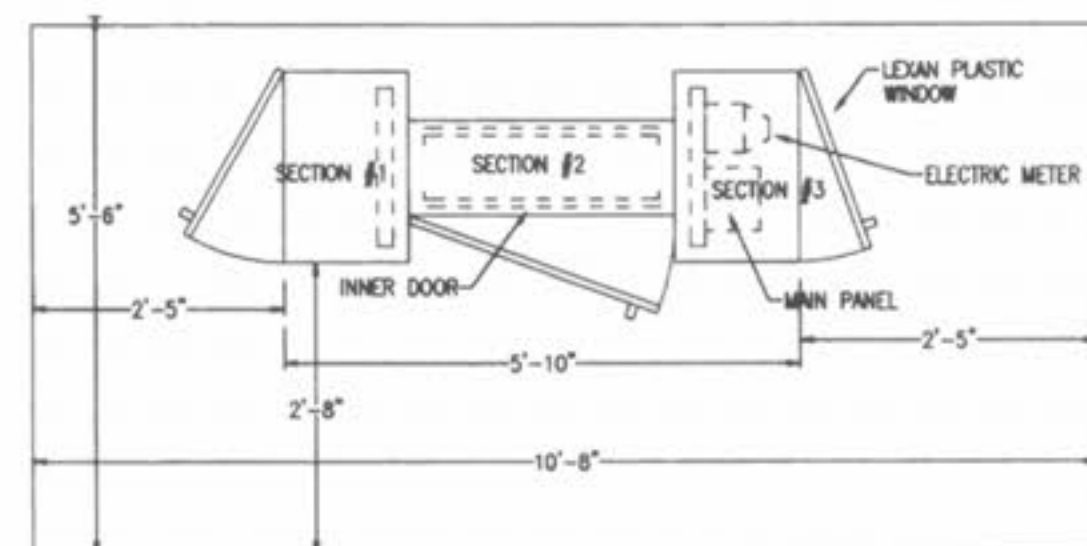
Drawing name: K:\D\0306147 Fox Haven\IMPROVEMENTS\6147PUMPDETAIL.dwg Plotted on: Aug 24, 2005 - 8:17am Plotted by: juetkenhaus



FRONT OF SECTION #3

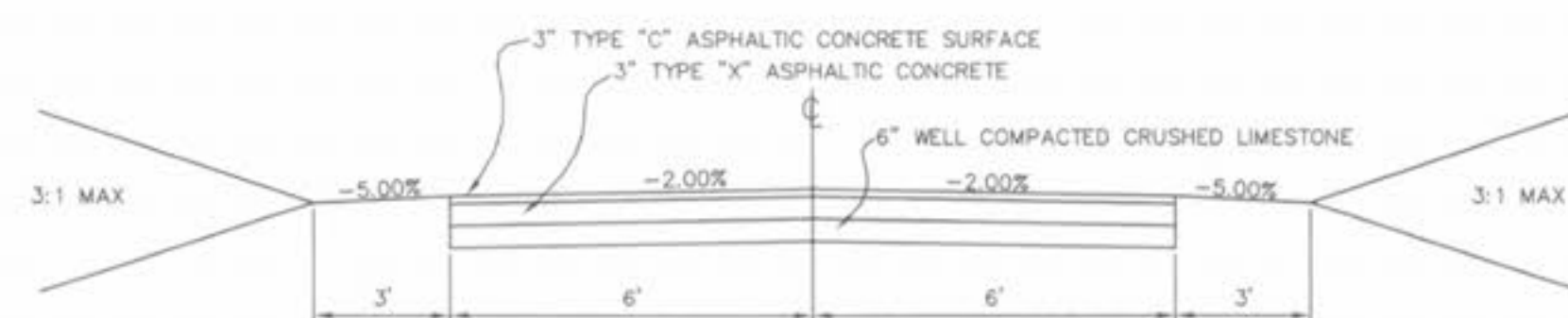


ELEVATION VIEW

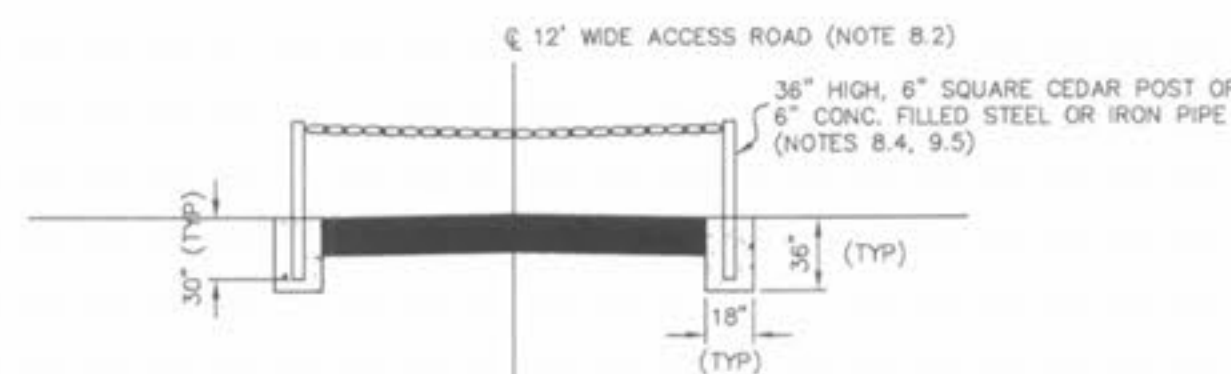


PLAN VIEW

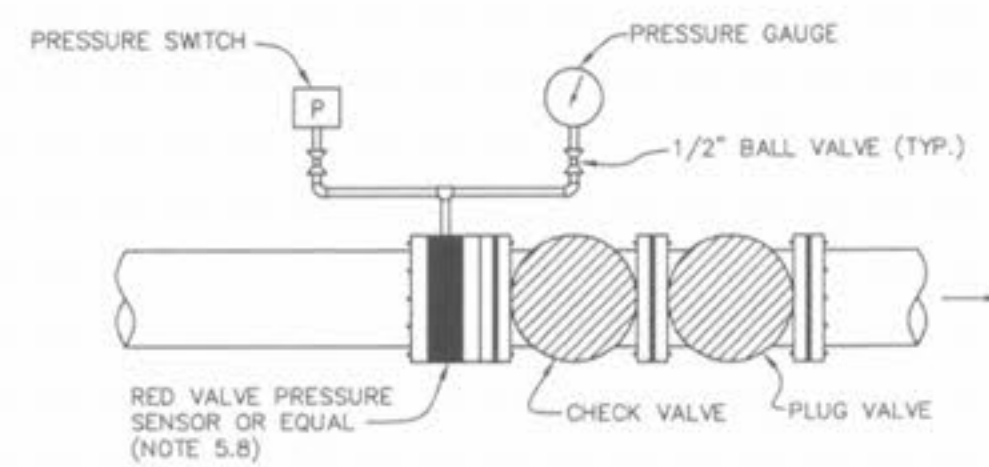
CONTROL PANEL



PUMP STATION ACCESS ROAD CROSS SECTION
1"=3'

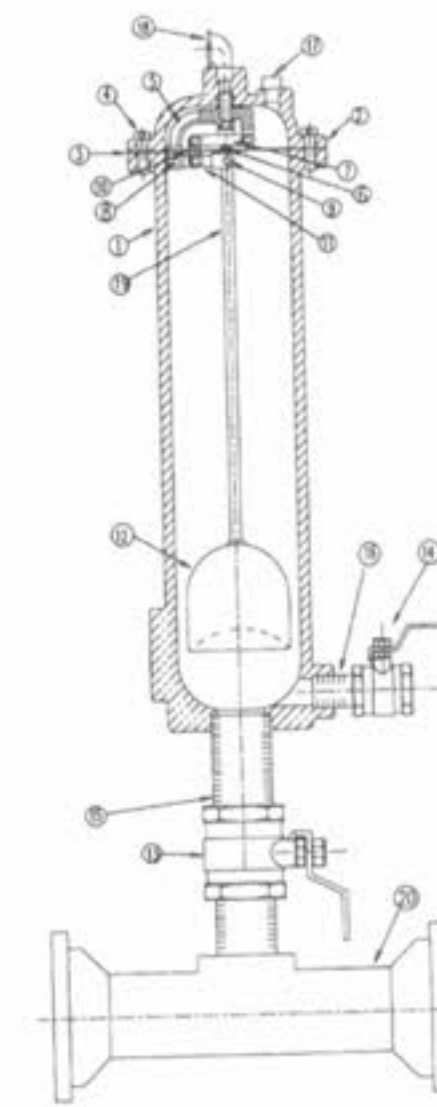


ACCESS ROAD BARRIER POSTS DETAIL
N.T.S.

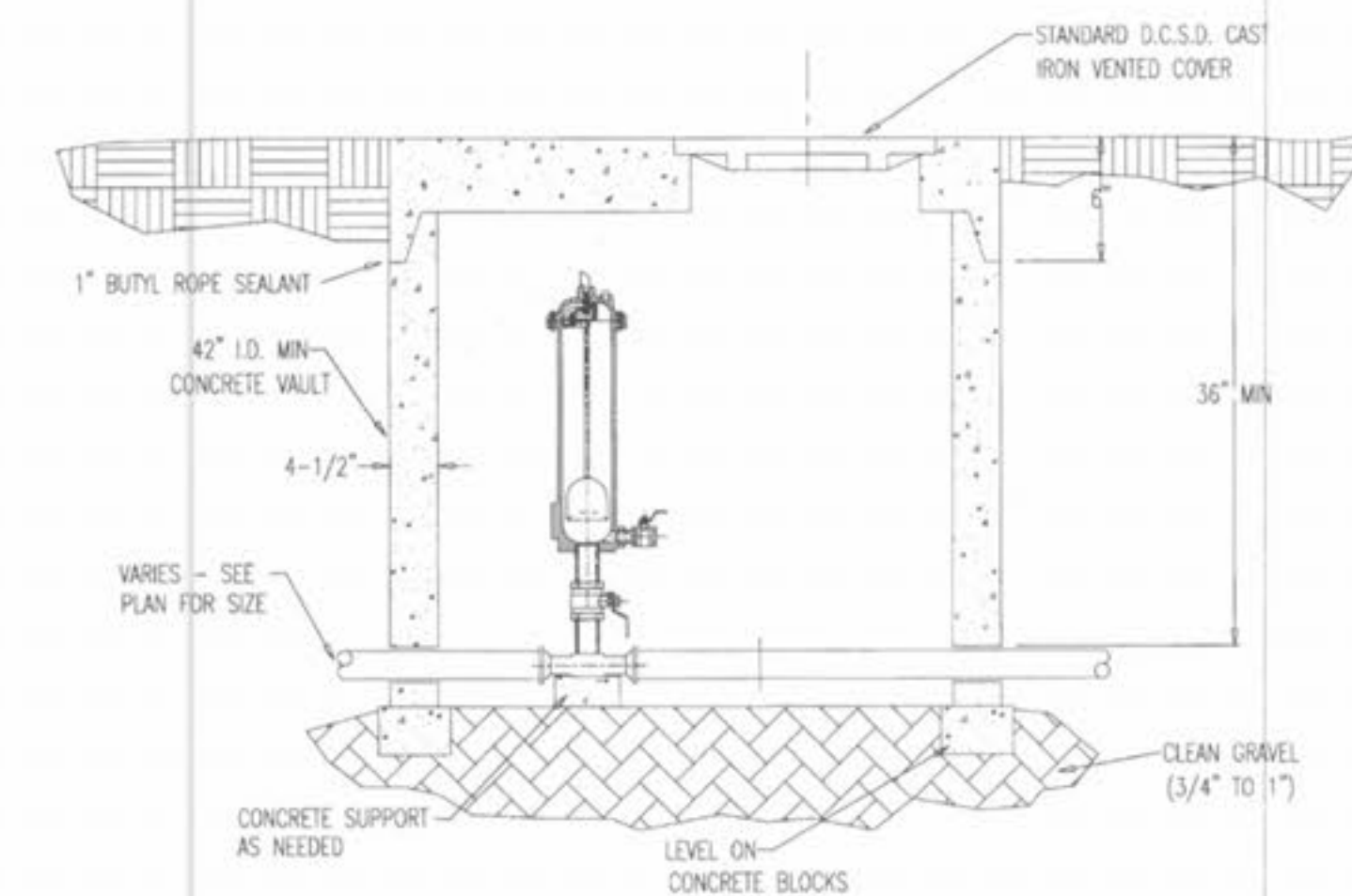


TYPICAL PRESSURE
SENSOR & GAUGE DETAIL
N.T.S.

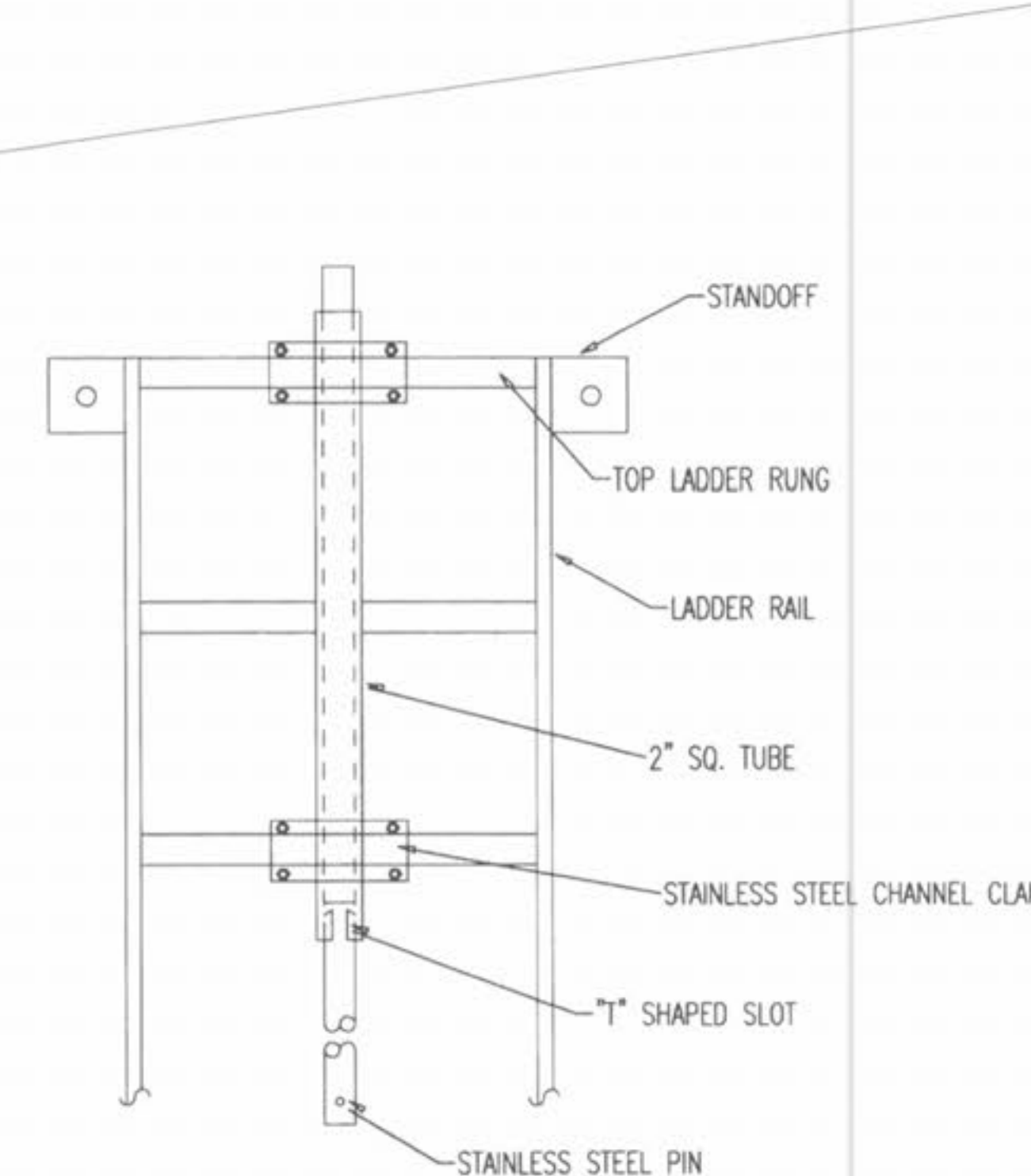
NO.	DESCRIPTION	MATERIAL
1	COVER	CAST IRON
2	COVER GASKET	LEKID (NON-ABRASIVE)
3	LEVERAGE FRAME	STAINLESS STEEL
4	NEEDLE	BUNA-N
5	NEEDLE LEVER	STAINLESS STEEL
6	LEVER PIN	STAINLESS STEEL
7	RETAINING RING	STAINLESS STEEL
8	CONNECTING LINK	STAINLESS STEEL
9	FLOAT LEVER	STAINLESS STEEL
10	FLOAT	STAINLESS STEEL
11	2" BALL VALVE	BRONZE
12	1" BALL VALVE	BRONZE
13	CLOSE NIPPLE	STAINLESS STEEL
14	1" NPT CLOSE NIPPLE	STAINLESS STEEL
15	PLUG	STAINLESS STEEL
16	NPT SPIRELET ELBOW	STAINLESS STEEL
17	FLOAT STEM	STAINLESS STEEL
18	MECHANICAL JOINT	CAST IRON



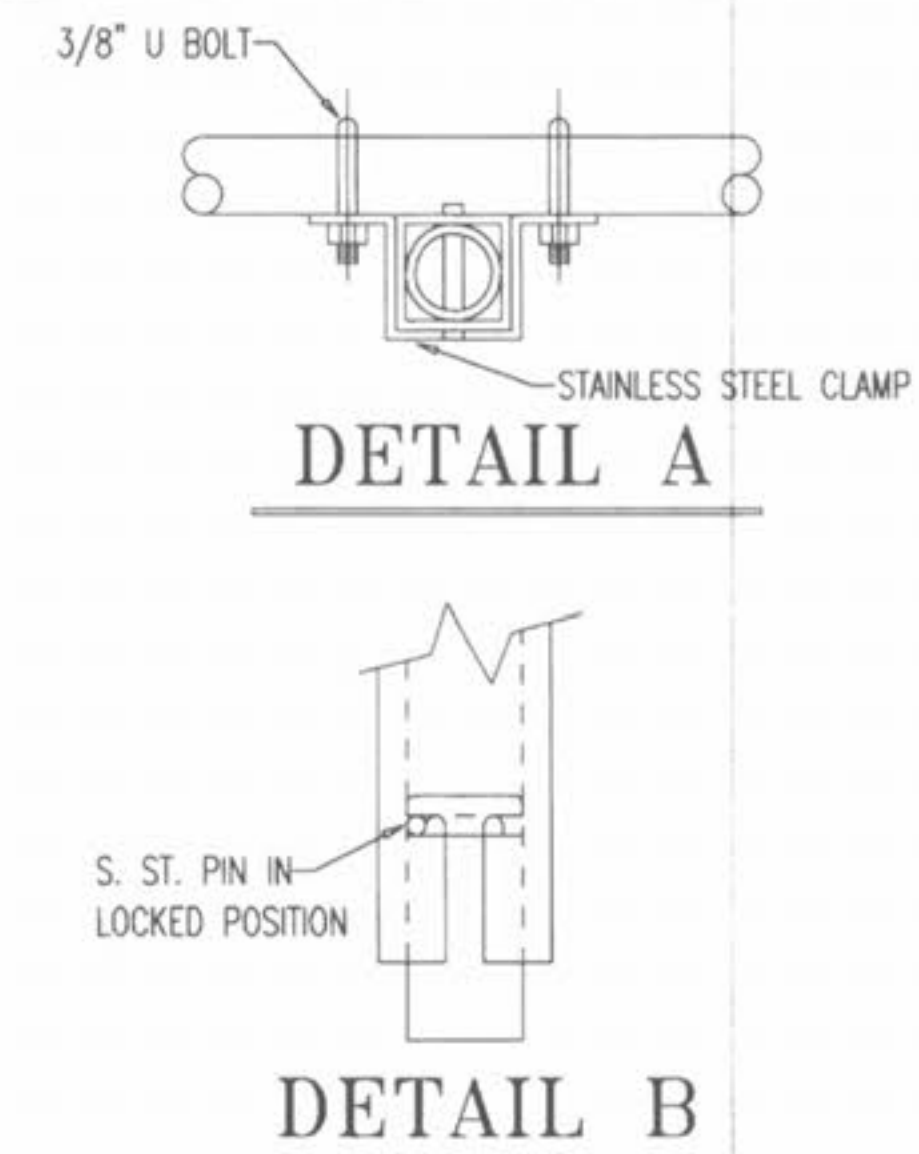
AIR RELEASE VALVE



VALVE VAULT



LADDER



DETAIL A

DETAIL B

ISSUE	REVISION/DATE
1	03-07-04 FIRST SUBMITTAL
2	06-15-04 REVISED PER CITY & DCSD COMMENTS
3	07-20-04 REVISED PER CITY COMMENTS
4	08-04-04 REVISED PER DCSD COMMENTS

PREPARED FOR:
**McBride & Son Homes
Land Development, Inc.**
#1 McBride & Son Center Drive
Chesterfield, Missouri 63005
(636) 537-2000



PREPARED BY:
THE STERLING CO.
ENGINEERS & SURVEYORS
5055 NEW BAUMGARTNER ROAD
ST. LOUIS, MISSOURI 63129
(314) 487-0440 FAX 487-8944
E-Mail: Sterling@sterling-eng-survey.com

DRAWN: DESIGNED: CHECKED:

PROJECT: **FOX HAVEN**
SHEET TITLE: **PUMP STATION #1 & #2 DETAILS**

NO.	03 06 147
M.S.D.	SHEET
P#	48
DIGITAL FILE LOCATION	48
6147MP.dwg	

BASE MAP