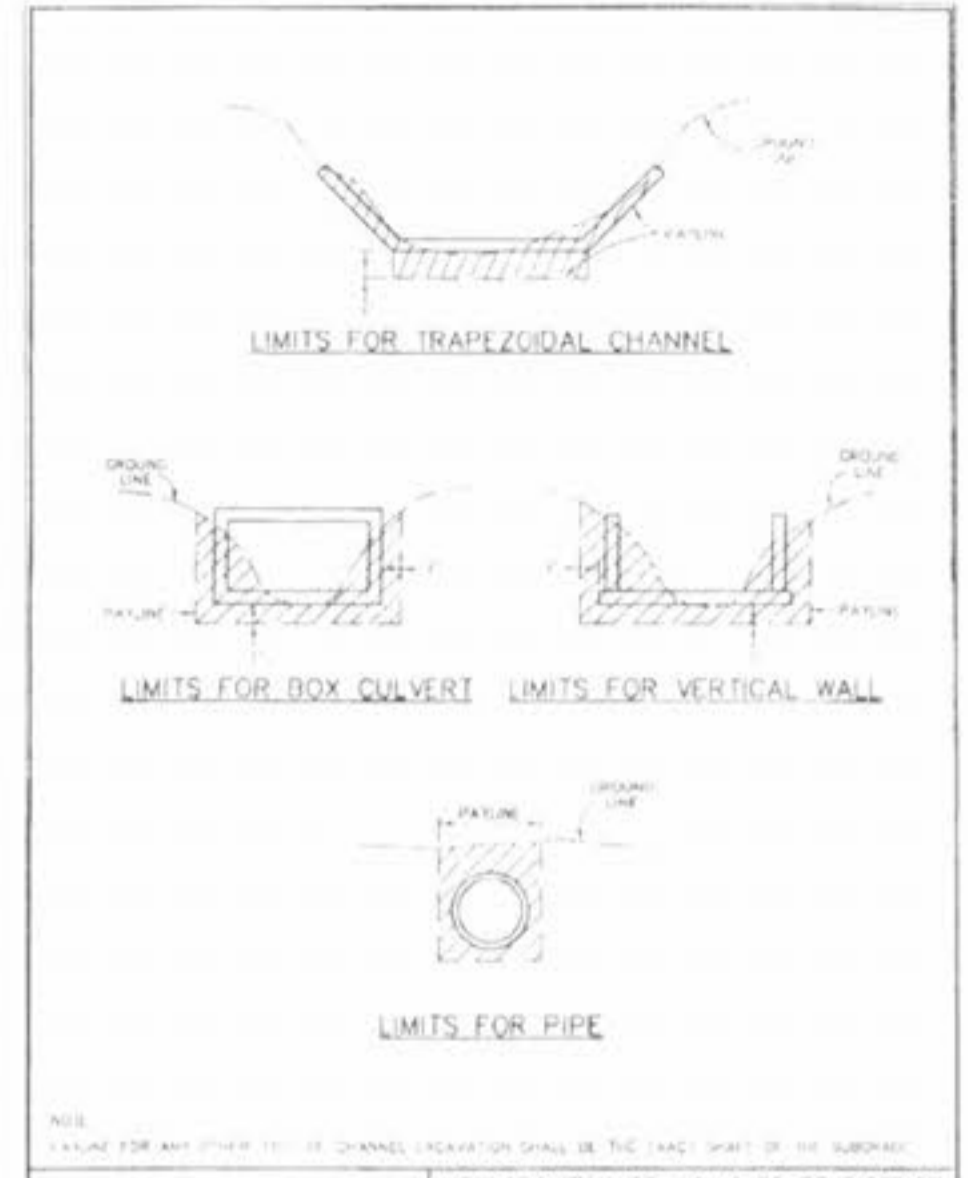


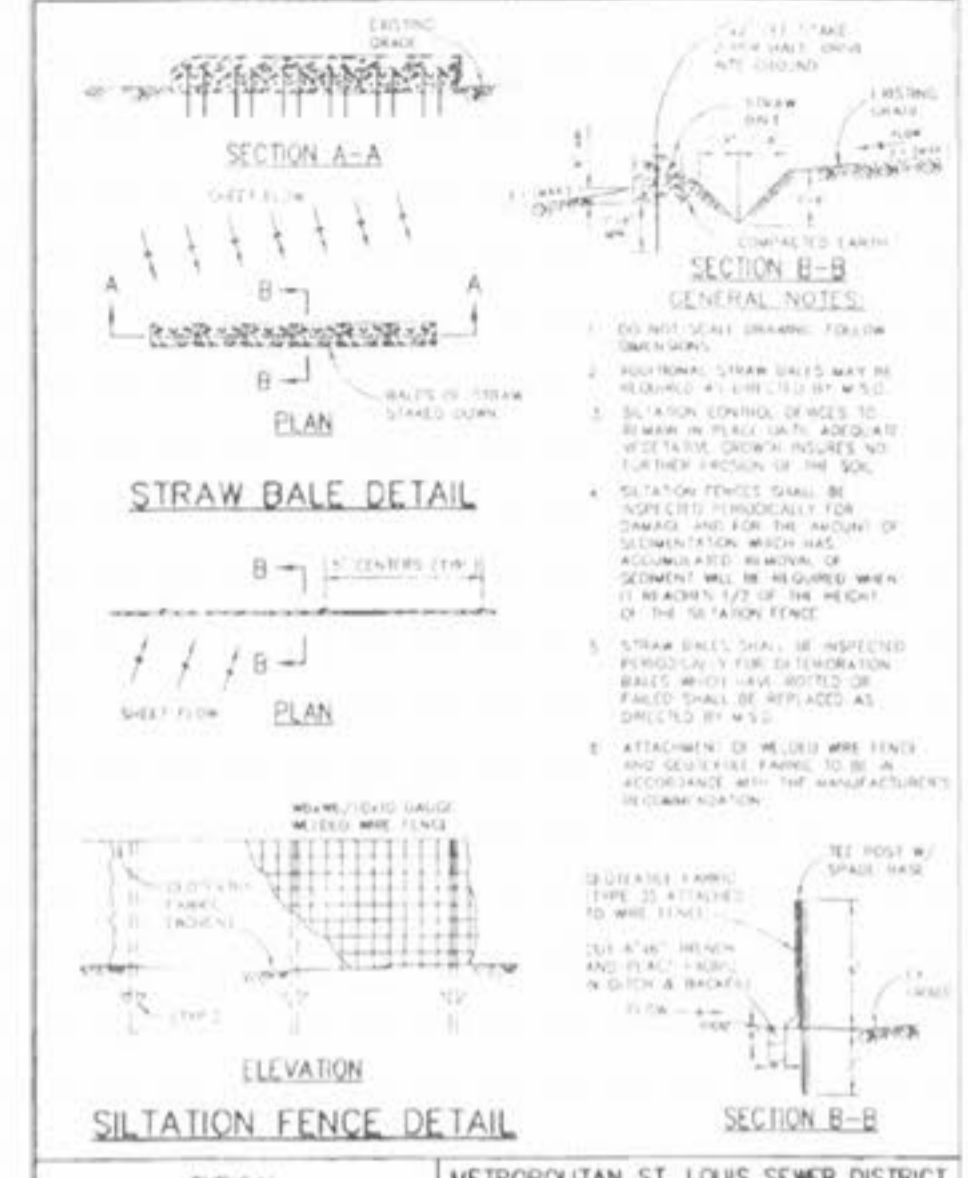
Drawing name: K:\0306147 Fox Haven\IMPROVEMENTS\6147DETAILS.dwg Plotted on: Aug 24, 2005 - 8:34am Plotted by: juetkenhaus

Table with 10 columns: ROUND PIPE (12", 18", 24", 30", 36", 42", 48", 54", 60", 66"), HORIZONTAL ELLIPTICAL PIPE (18" x 24", 24" x 30", 30" x 36", 36" x 42", 42" x 48", 48" x 54", 54" x 60", 60" x 66"). Rows include trench width, concrete reinforcement, and trench width.

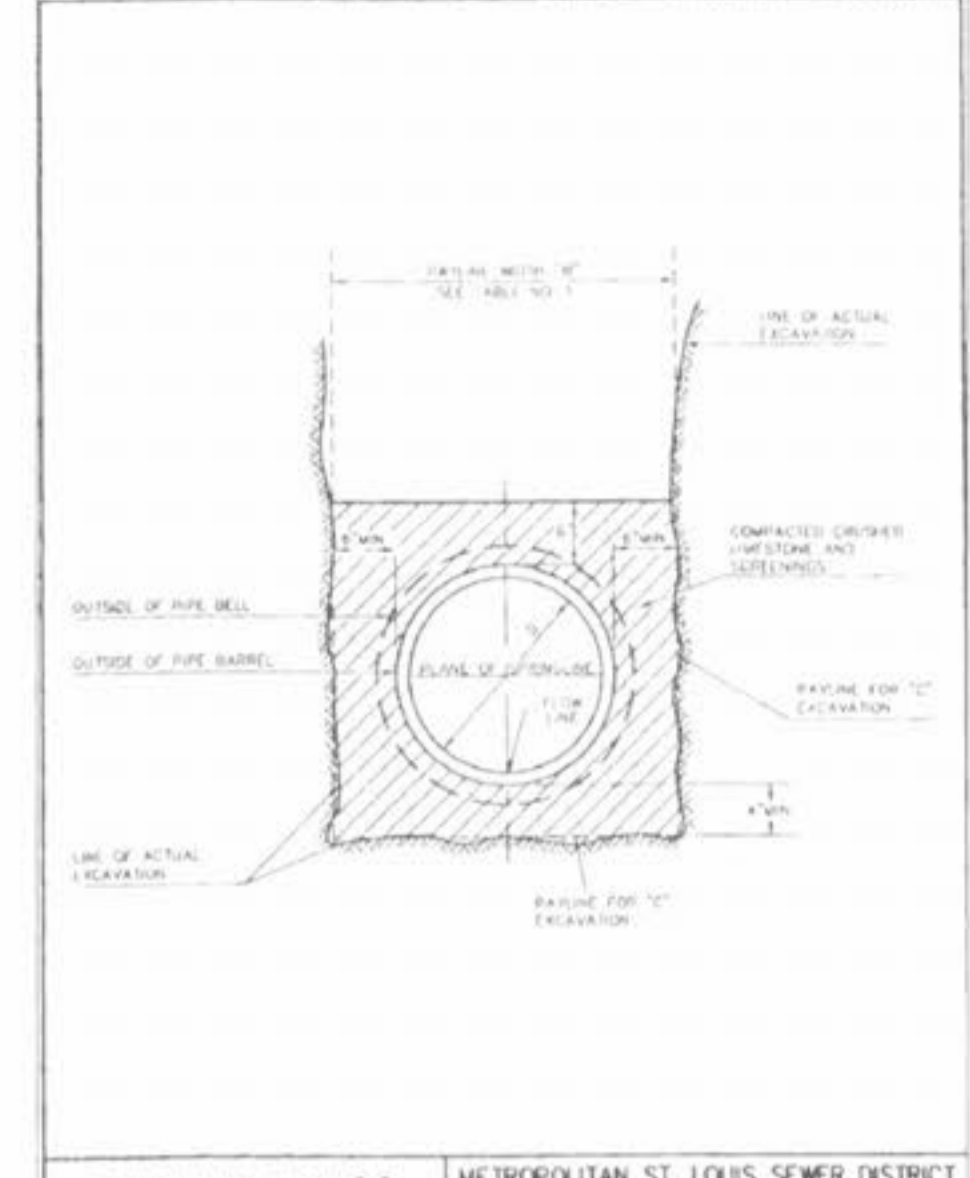
TABLE 1 PAYLINE WIDTHS OF TRENCH AND PAY-QUANTITIES OF CONCRETE METROPOLITAN ST. LOUIS SEWER DISTRICT Standard Details of Sewer Construction



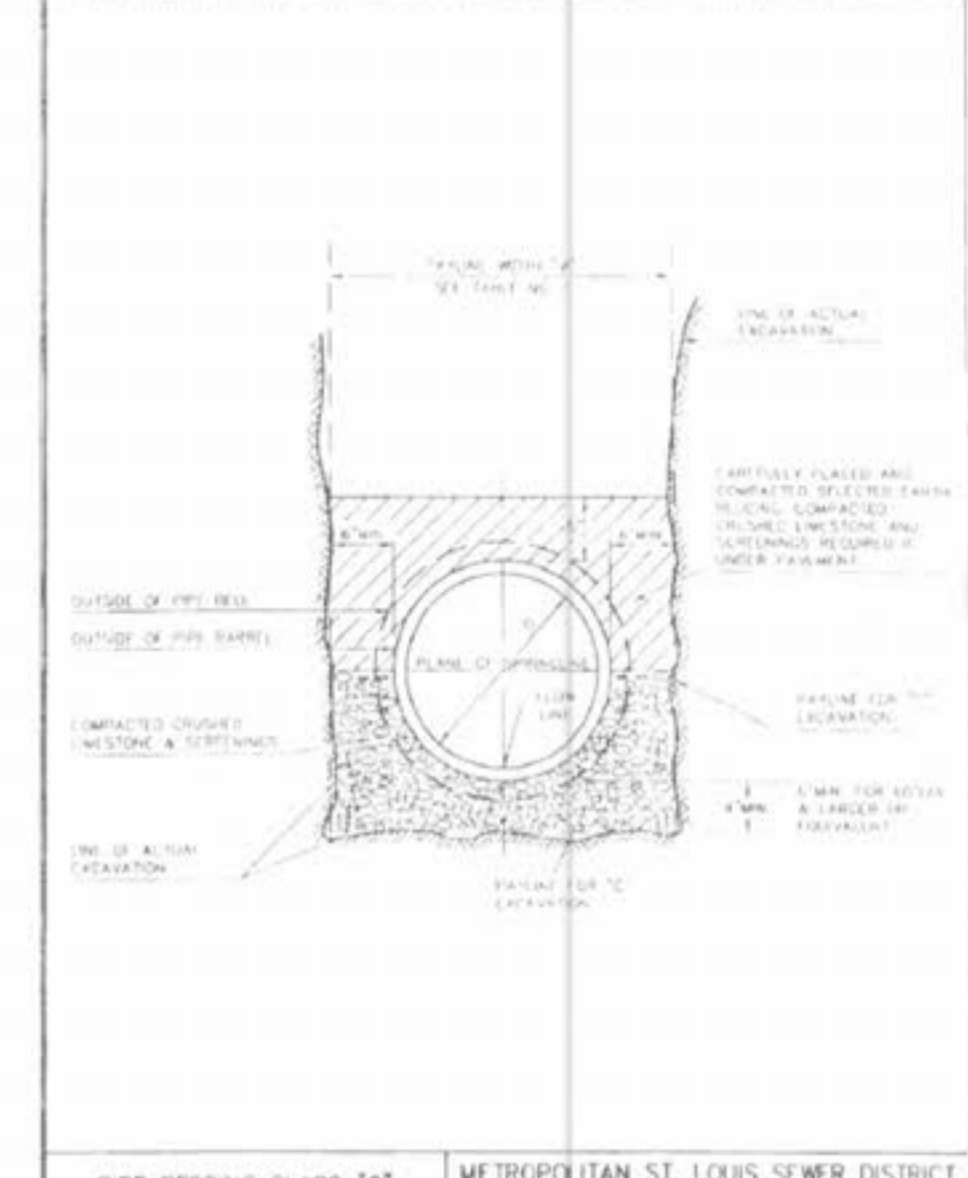
PAYLINE LIMITS FOR EXCAVATION METROPOLITAN ST. LOUIS SEWER DISTRICT Standard Details of Sewer Construction



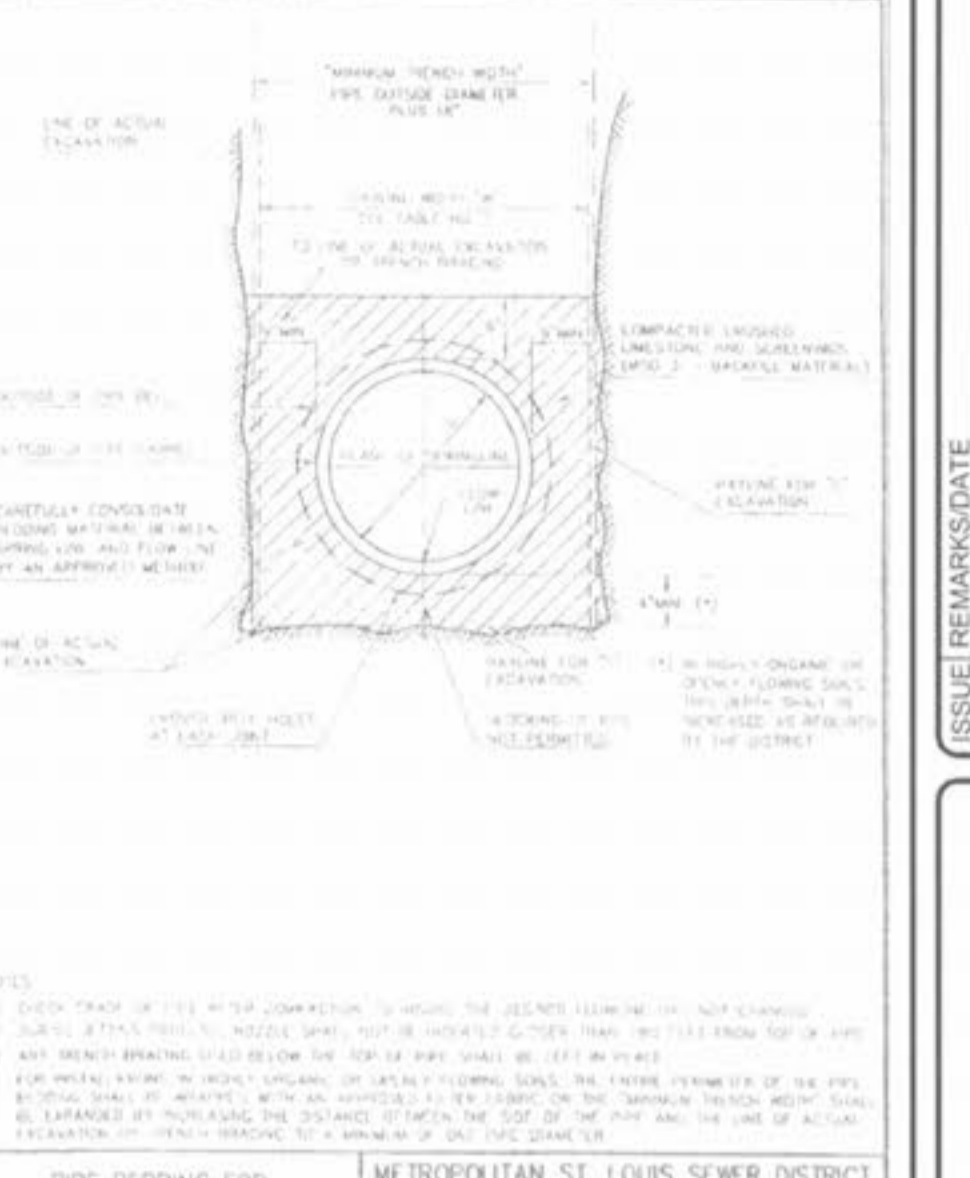
TYPICAL SILTATION CONTROL DEVICES METROPOLITAN ST. LOUIS SEWER DISTRICT Standard Details of Sewer Construction



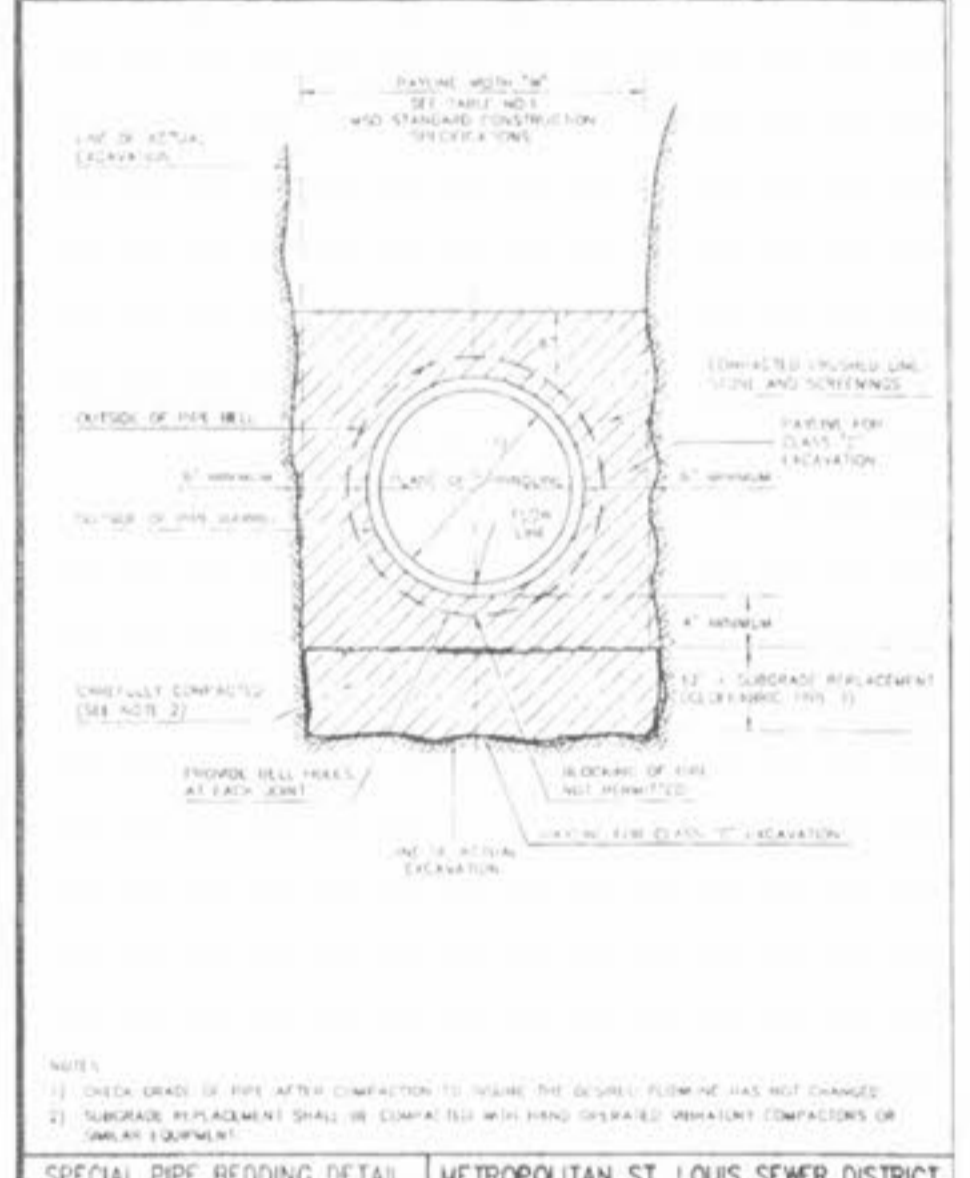
PIPE BEDDING CLASS 'C' (MODIFIED FOR REINFORCED CONCRETE PIPE) METROPOLITAN ST. LOUIS SEWER DISTRICT Standard Details of Sewer Construction



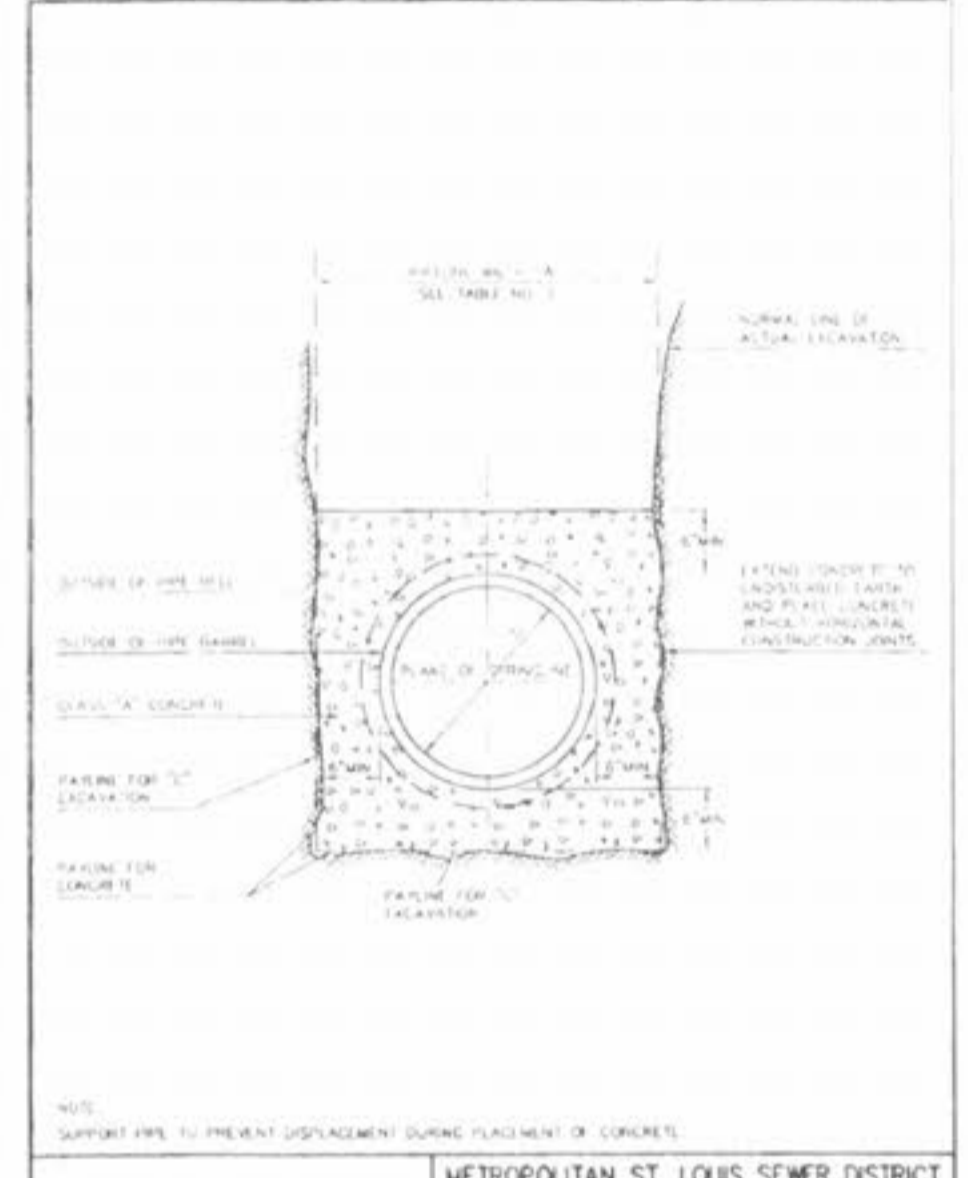
PIPE BEDDING CLASS 'C' (MODIFIED FOR FLEXIBLE PIPE) METROPOLITAN ST. LOUIS SEWER DISTRICT Standard Details of Sewer Construction



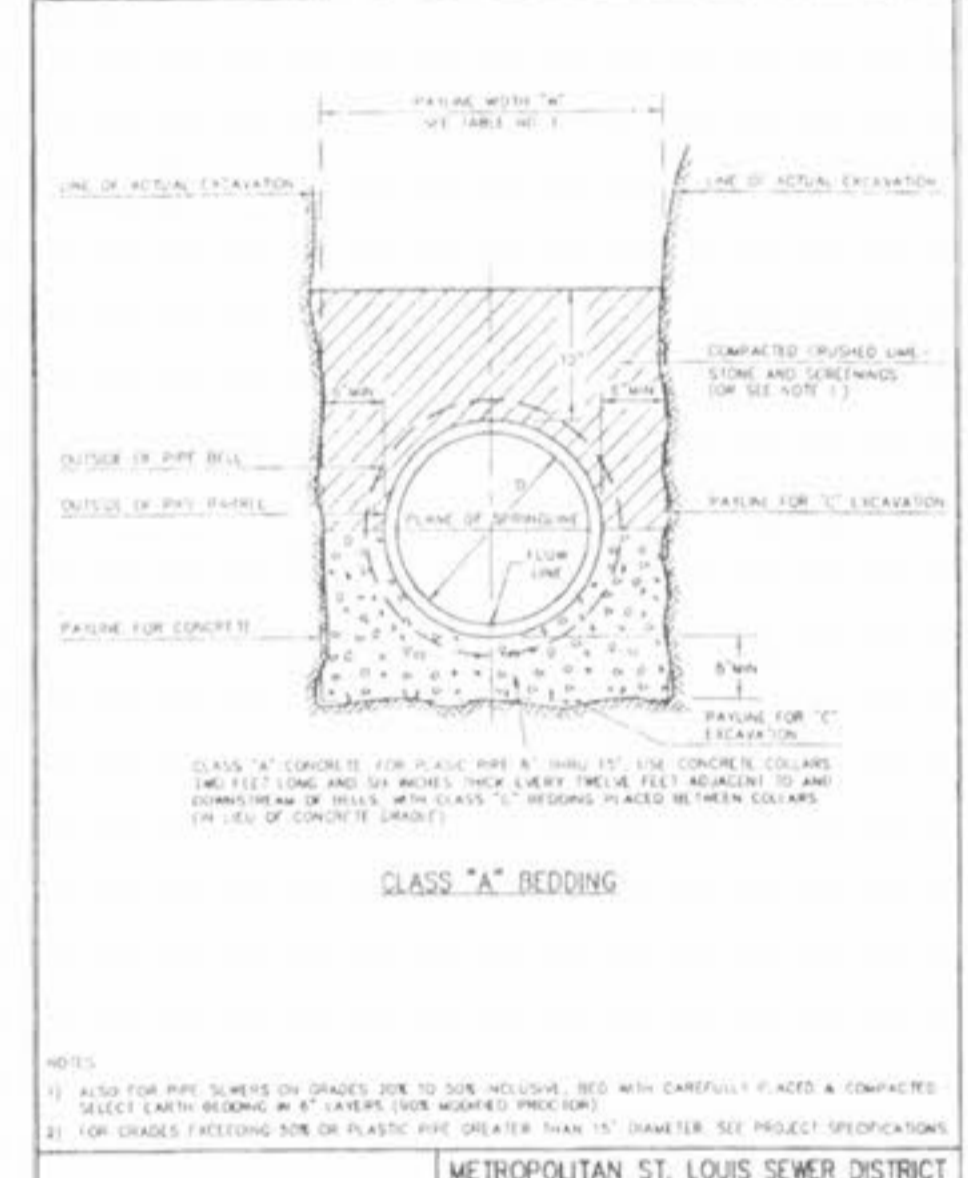
PIPE BEDDING FOR FLEXIBLE PIPE 18\"/>



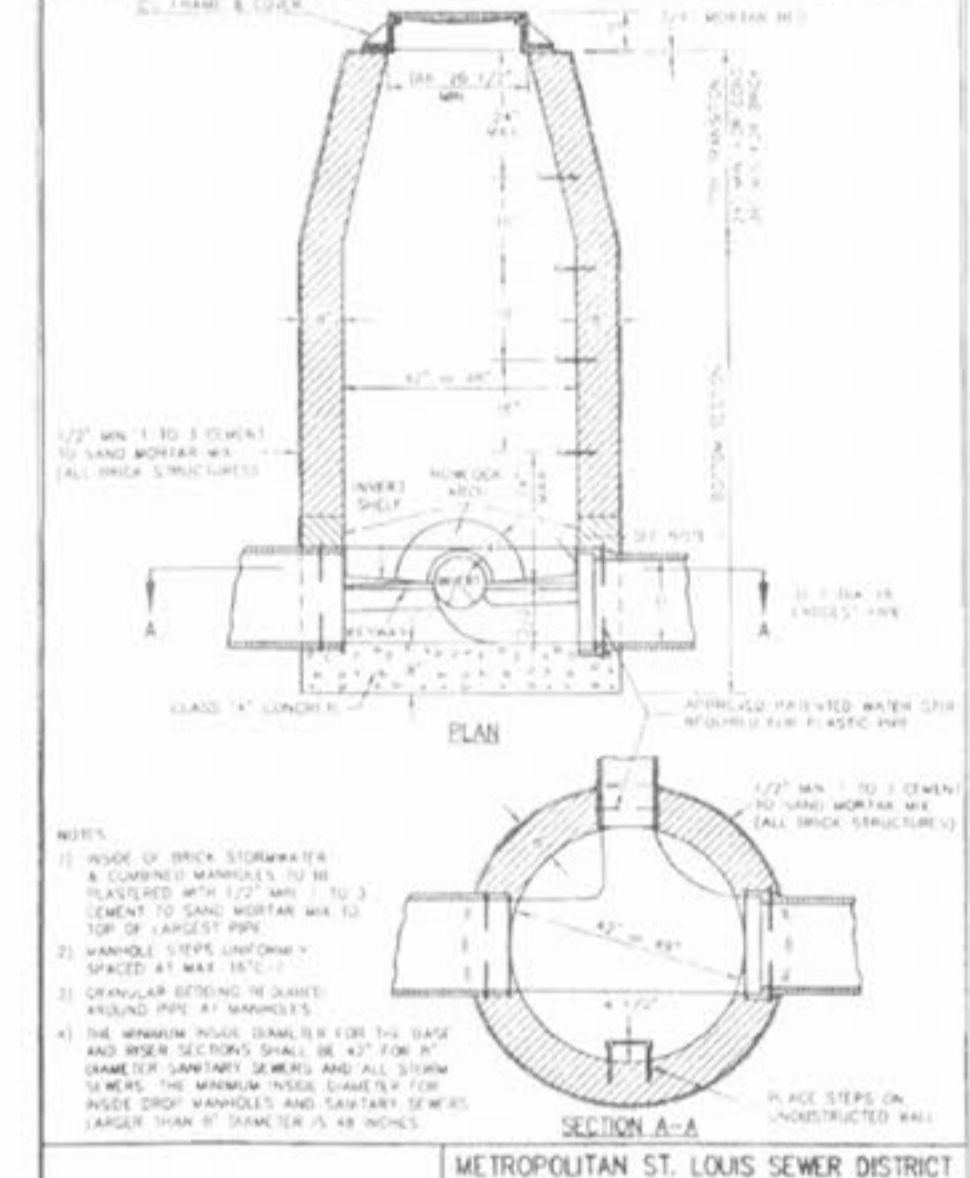
SPECIAL PIPE BEDDING DETAIL FOR SUBGRADE REPLACEMENT 12\"/>



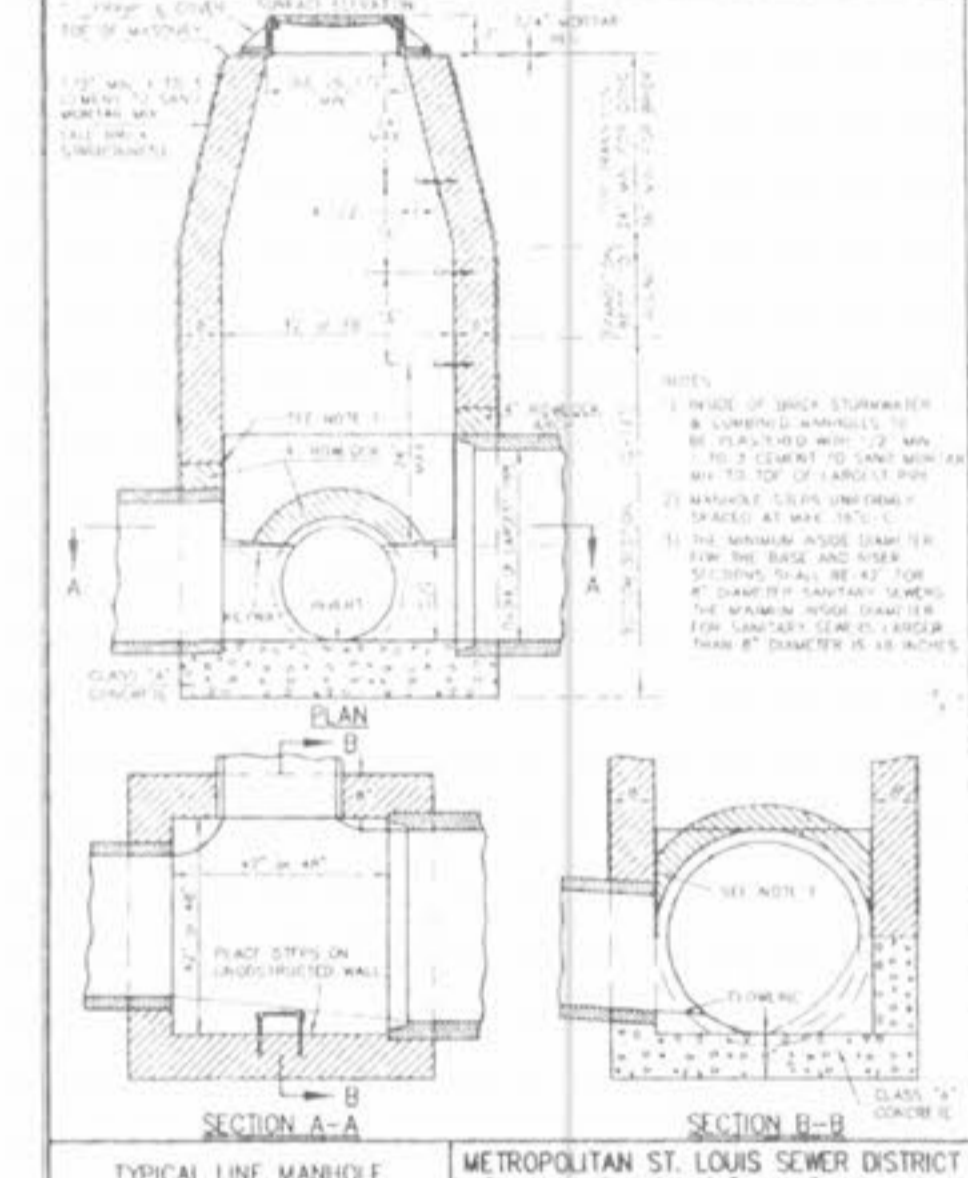
CONCRETE ENCASEMENT METROPOLITAN ST. LOUIS SEWER DISTRICT Standard Details of Sewer Construction



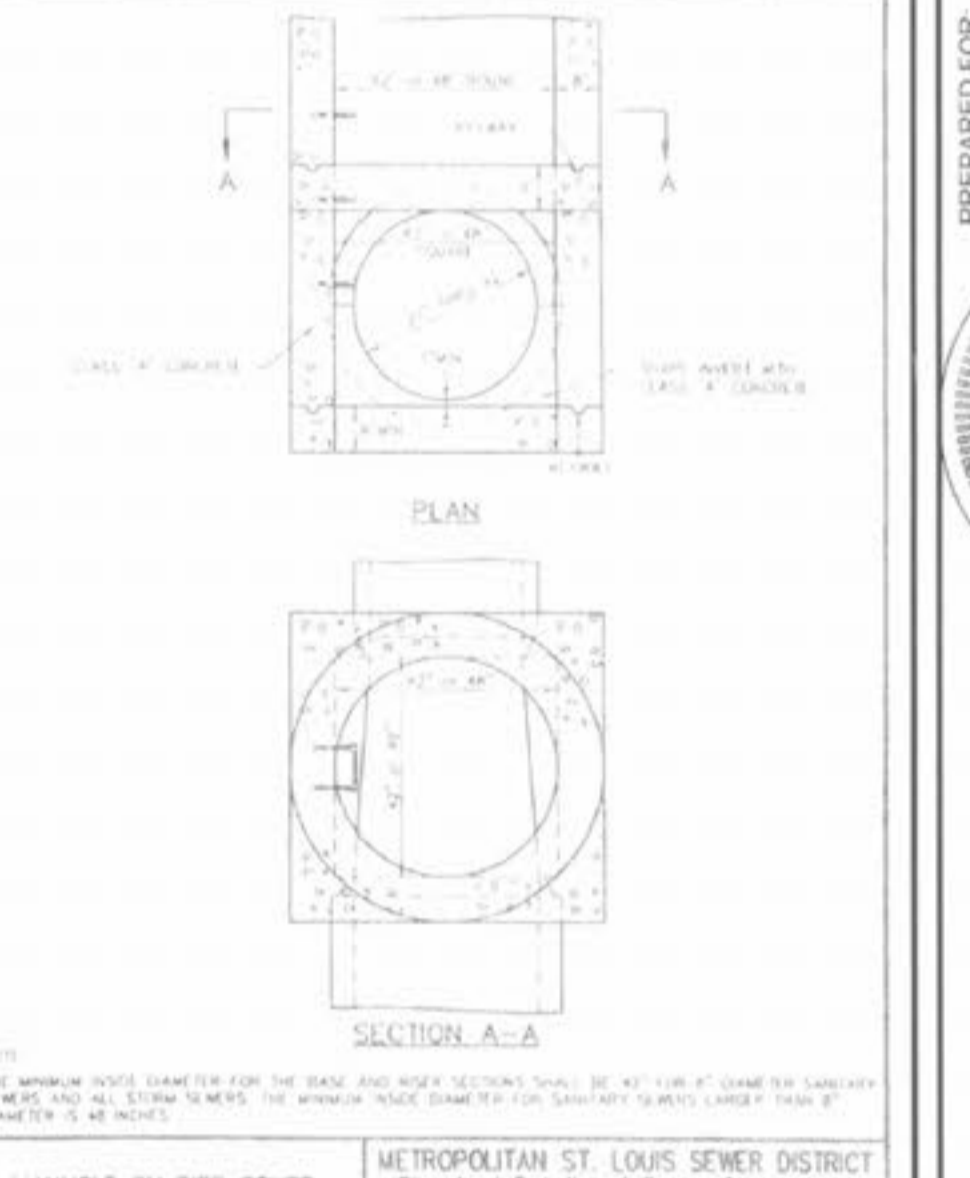
CONCRETE CRADLE METROPOLITAN ST. LOUIS SEWER DISTRICT Standard Details of Sewer Construction



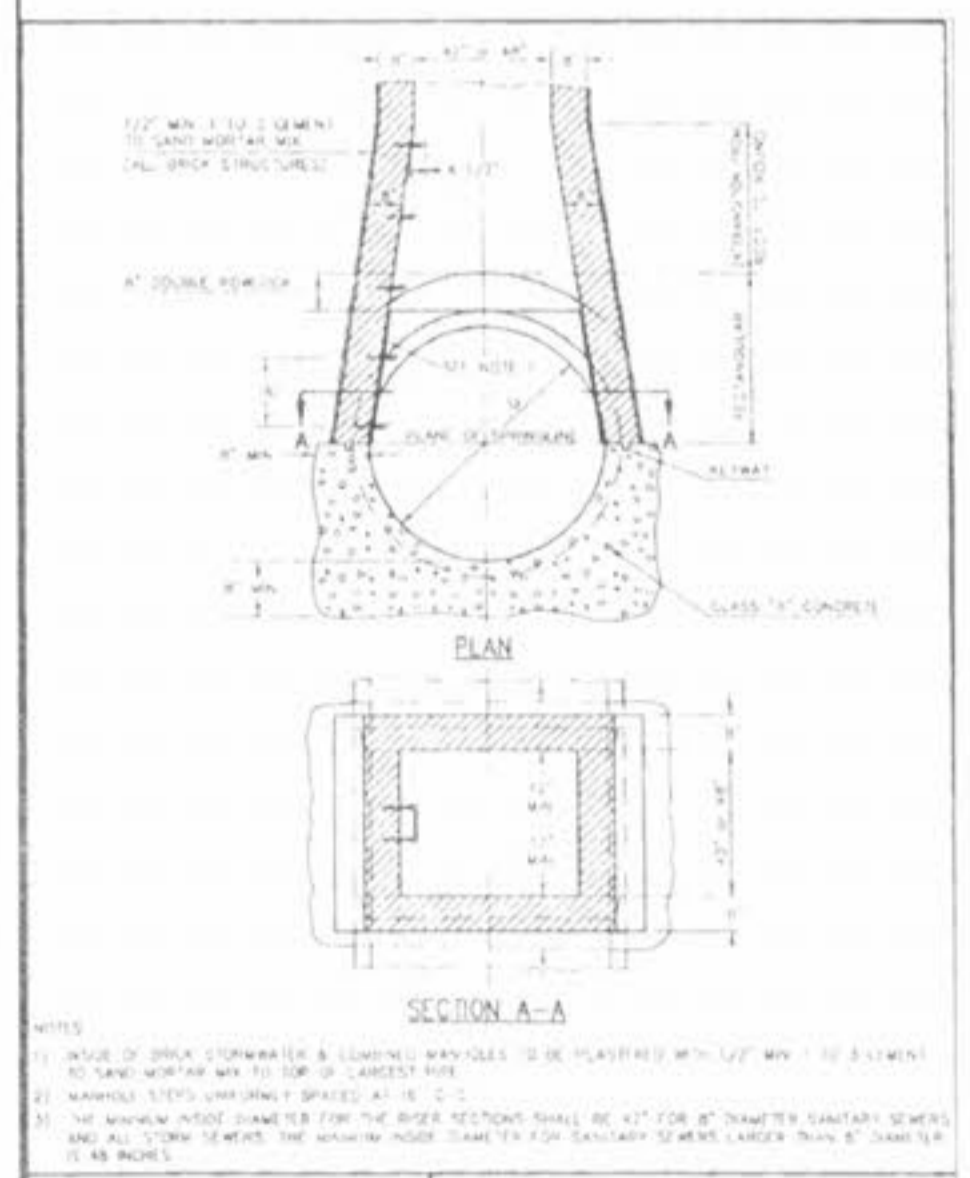
LINE MANHOLE ON PIPE SEWER 27\"/>



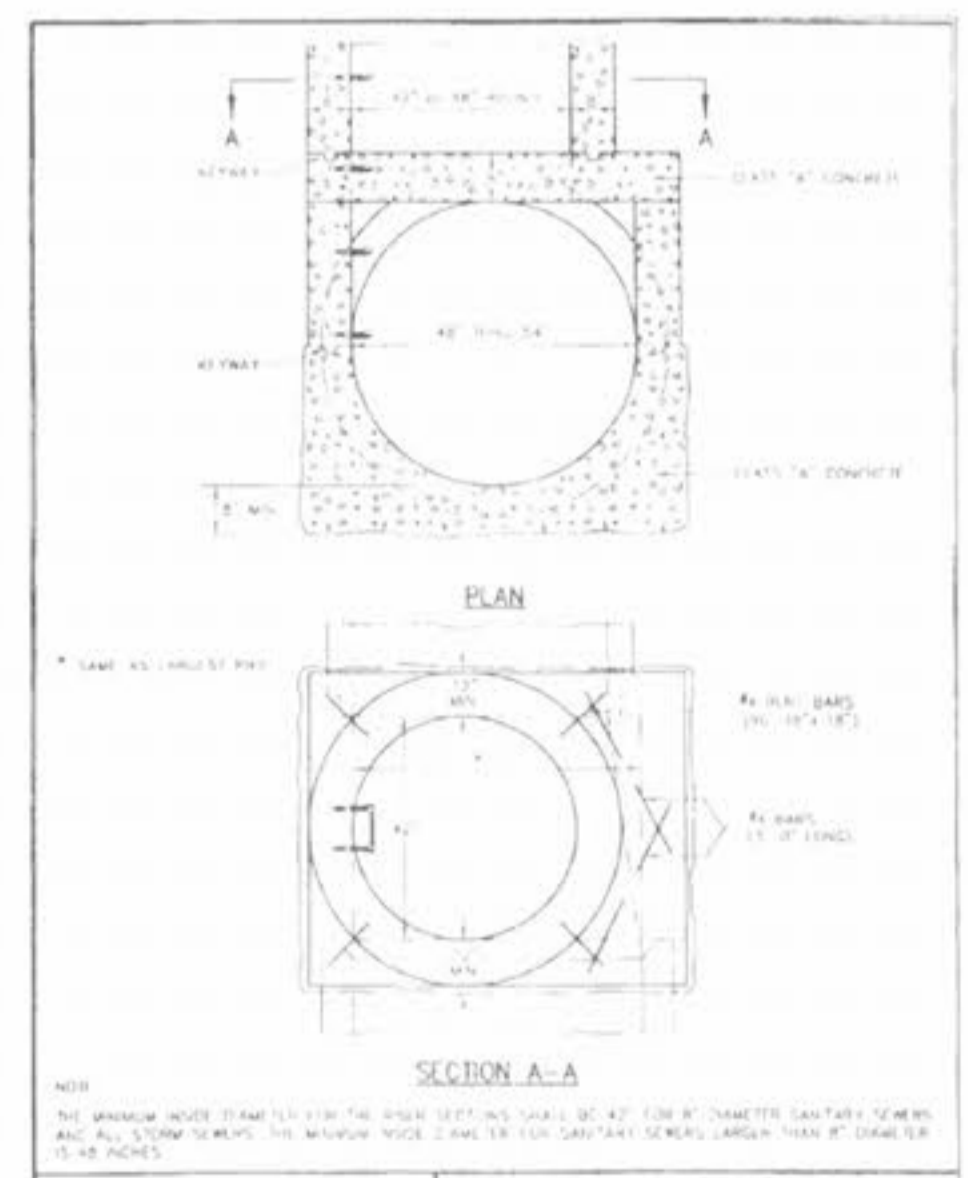
MANHOLE ON PIPE SEWER 27\"/>



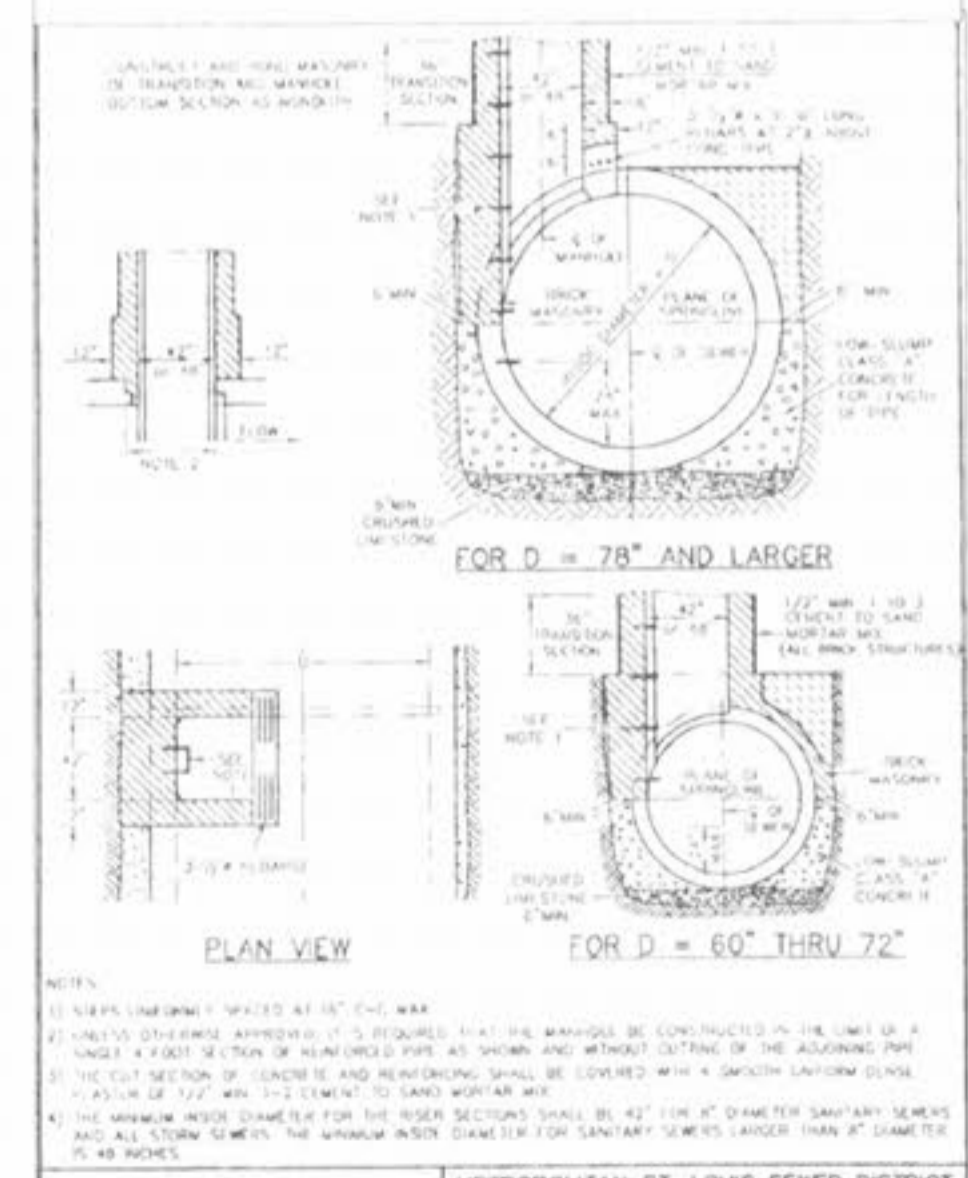
MANHOLE ON CONCRETE PIPE SEWERS 48\"/>



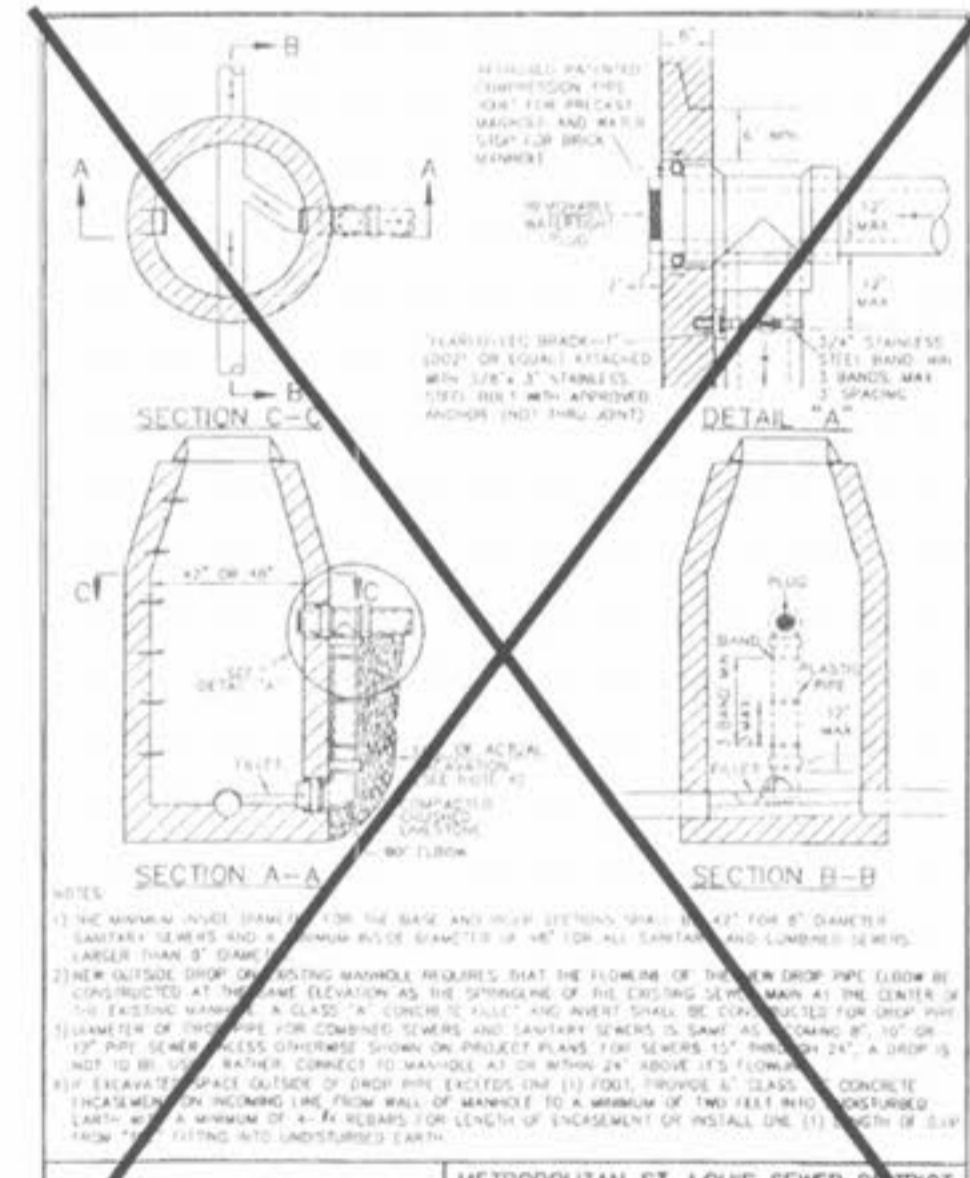
MANHOLE ON CONCRETE PIPE SEWERS 48\"/>



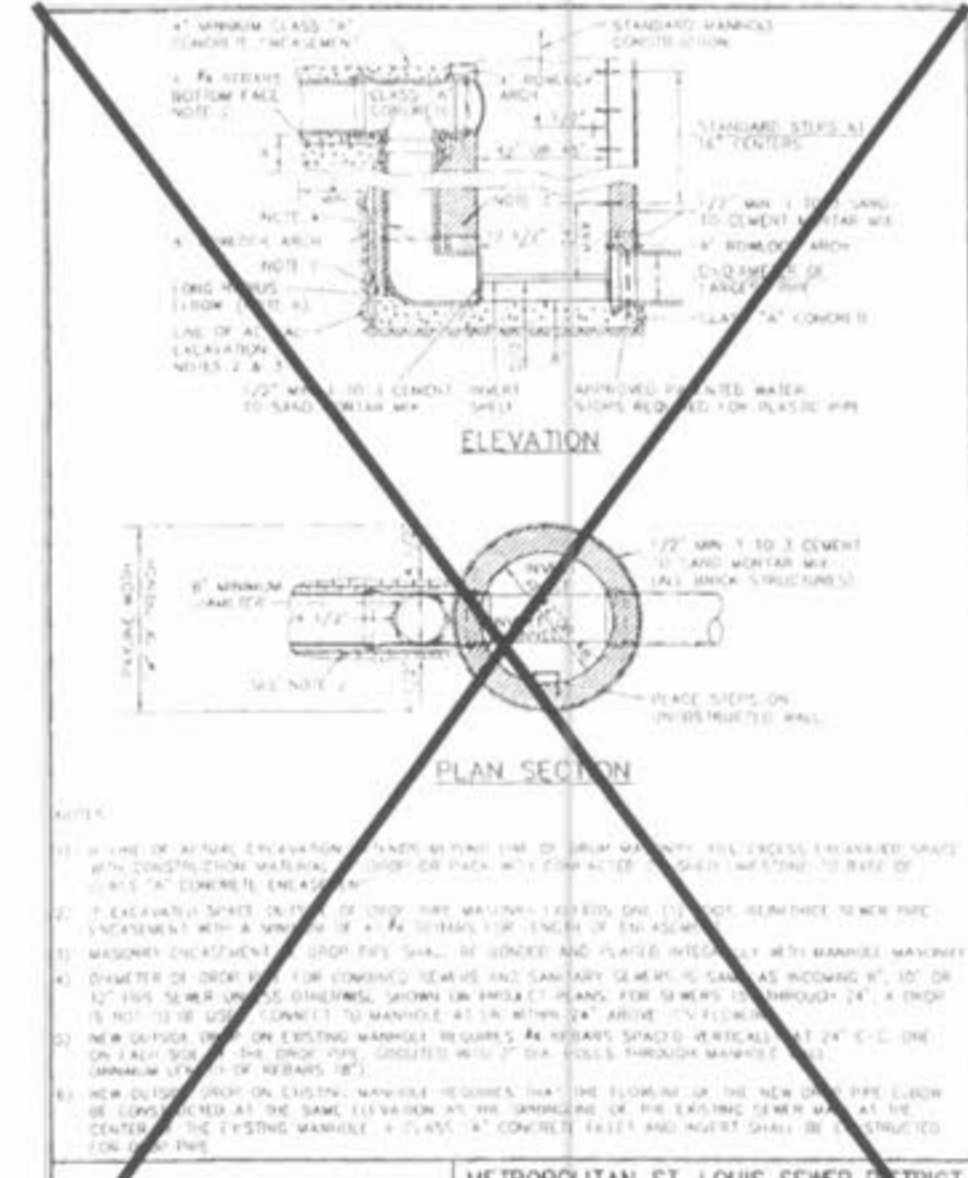
MANHOLE ON CONC. PIPE 46\"/>



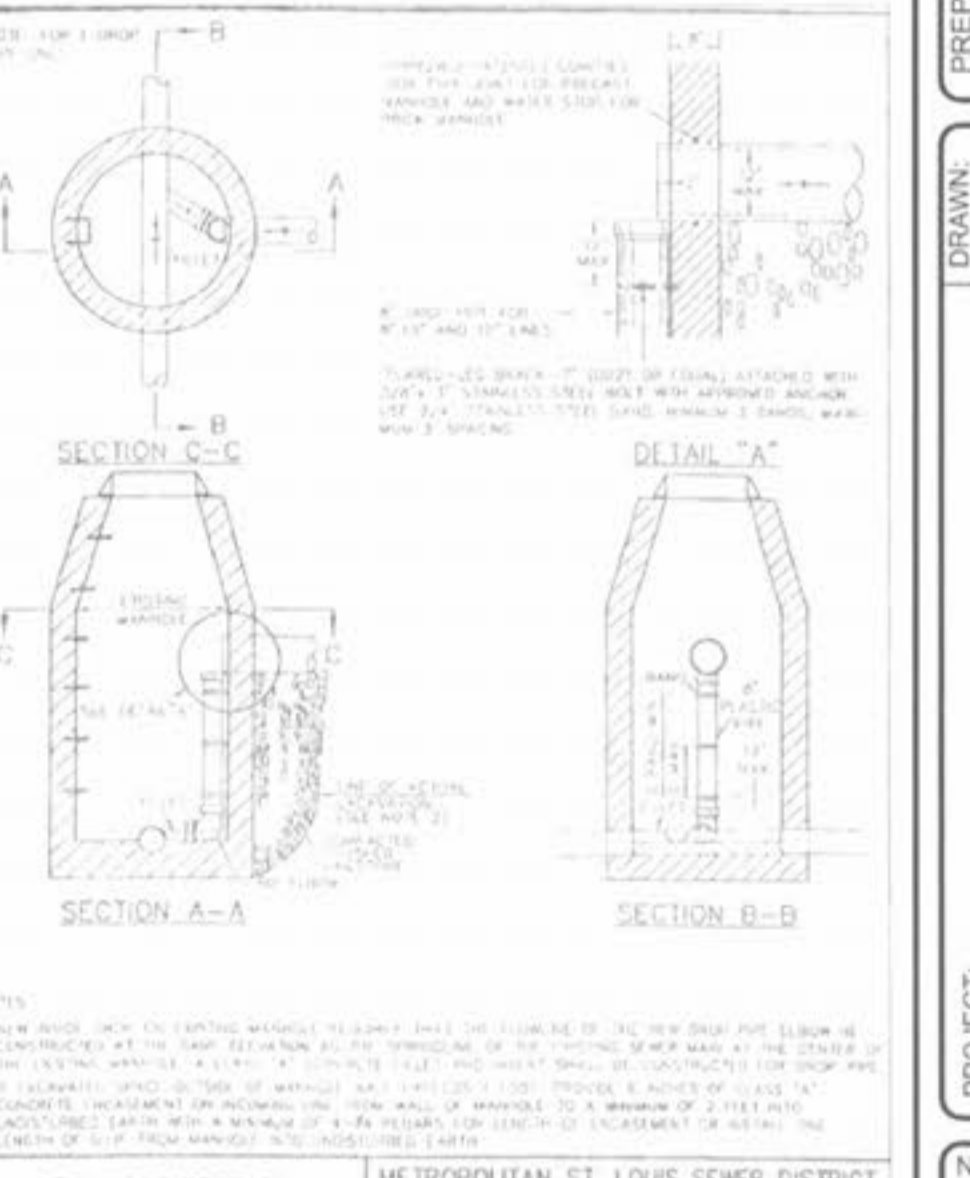
TYPICAL MANHOLE BASE REINFORCED CONCRETE PIPE SEWERS 60\"/>



OUTSIDE FOULWATER DROP MANHOLE METROPOLITAN ST. LOUIS SEWER DISTRICT Standard Details of Sewer Construction



OUTSIDE FOULWATER DROP MANHOLE (ALTERNATE) METROPOLITAN ST. LOUIS SEWER DISTRICT Standard Details of Sewer Construction



NEW INSIDE DROP ON EXISTING MANHOLE FOR SEWERS 8\"/>

Vertical sidebar containing project information: PROJECT: FOX HAVEN, SHEET TITLE: MSD CONSTRUCTION DETAILS, SHEET NO: 03, 06, 147, SHEET P# CD3, and company logos for Sterling Co. Engineers & Surveyors and McBride & Son Homes Land Development, Inc.