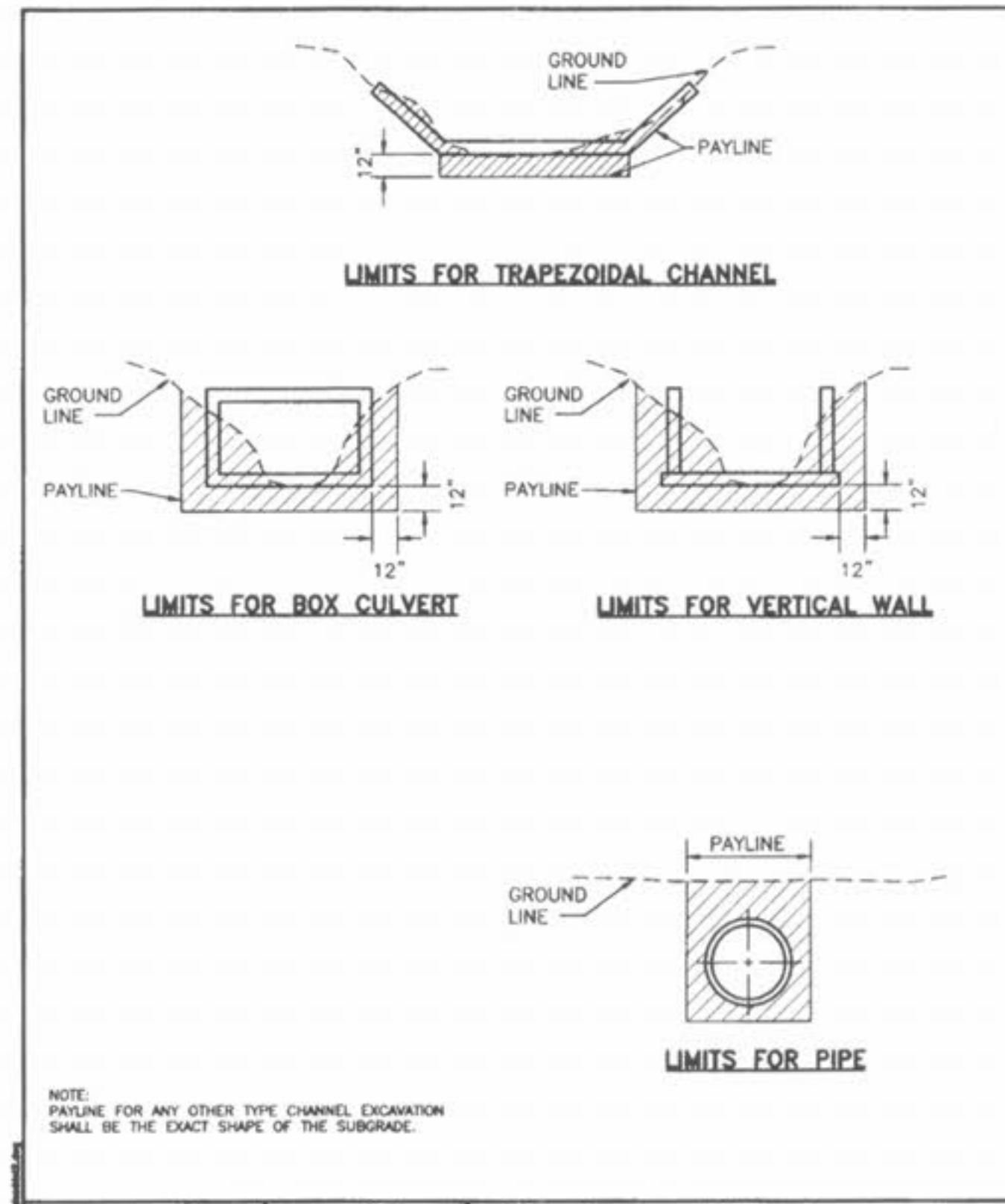


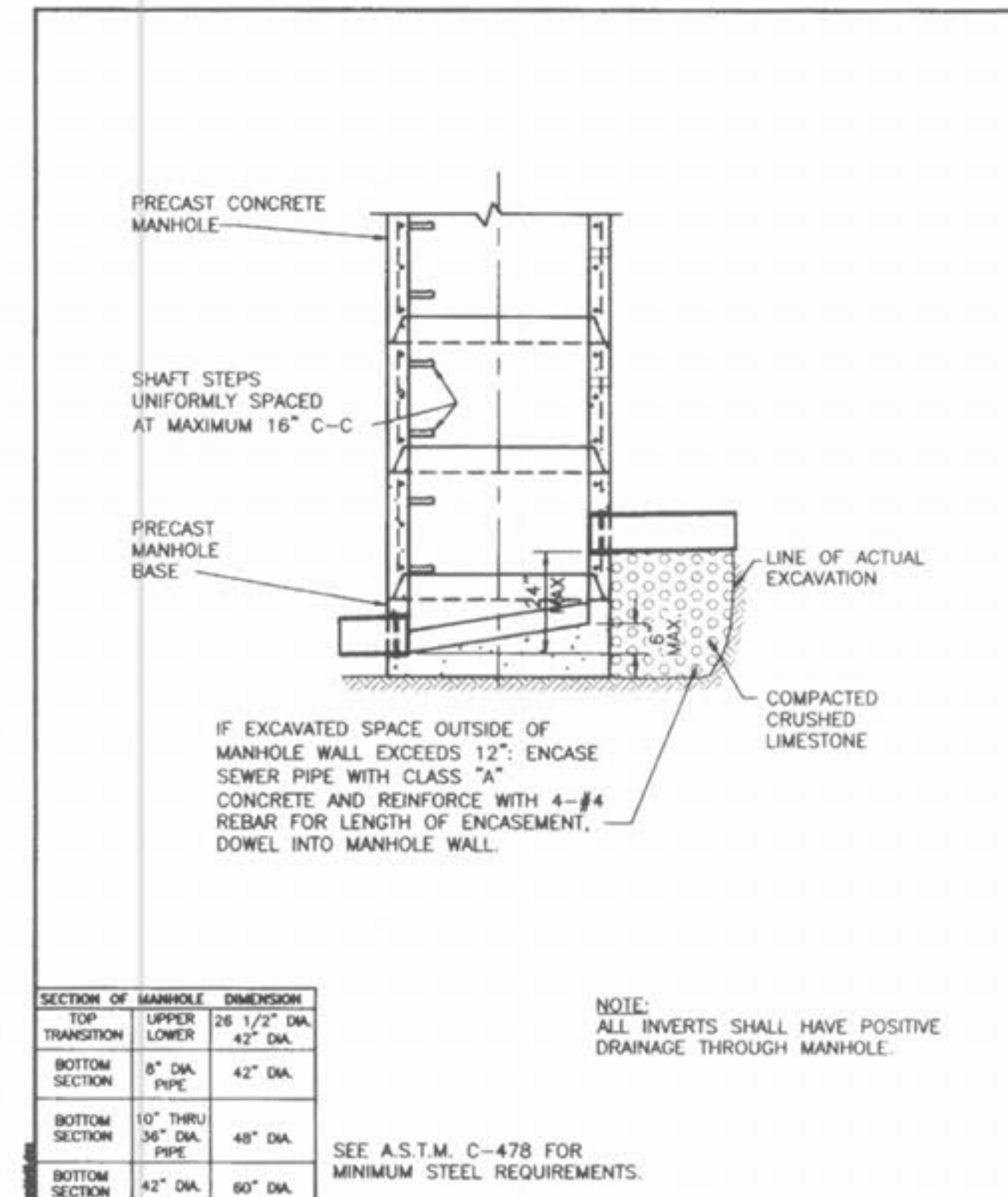
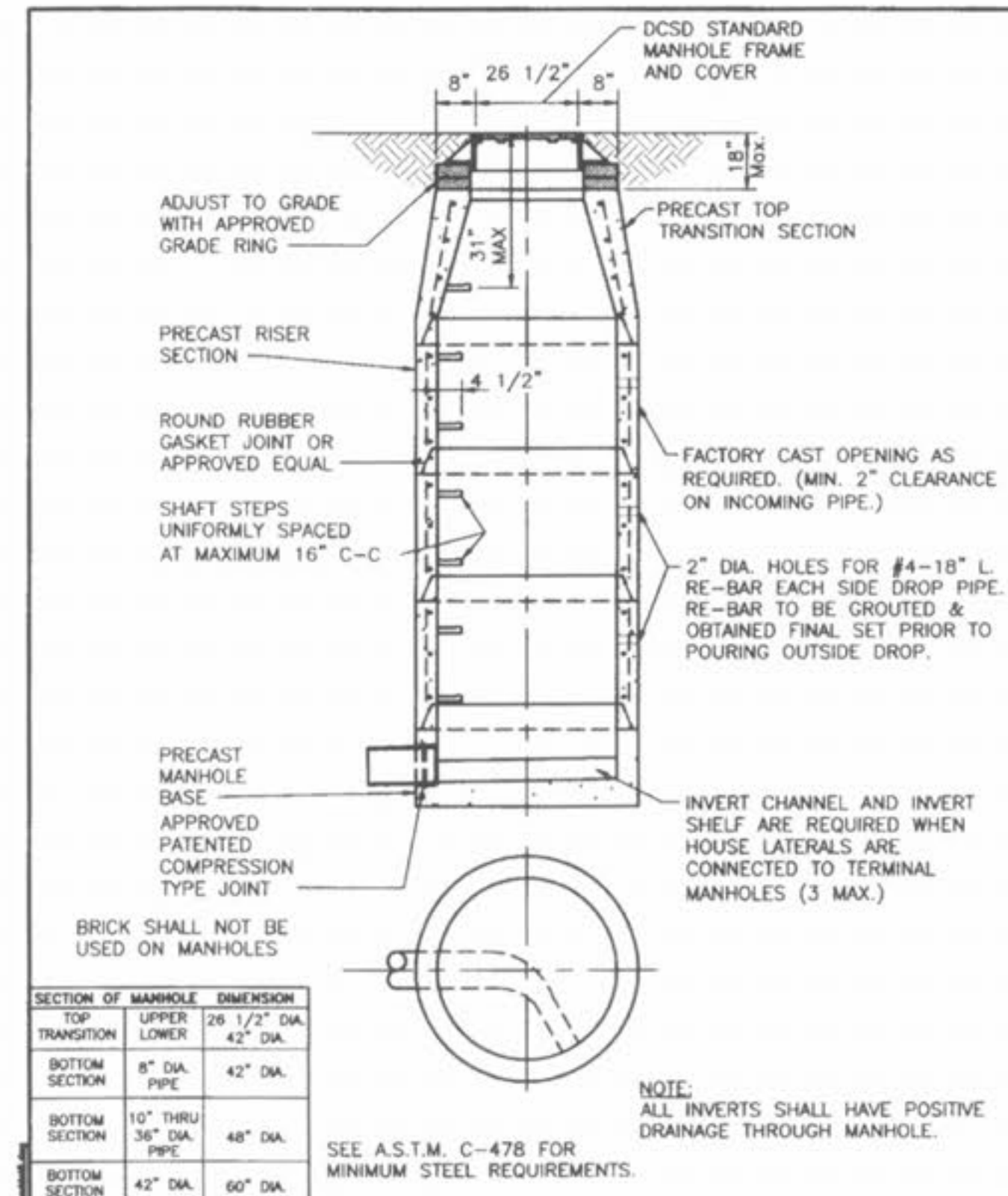
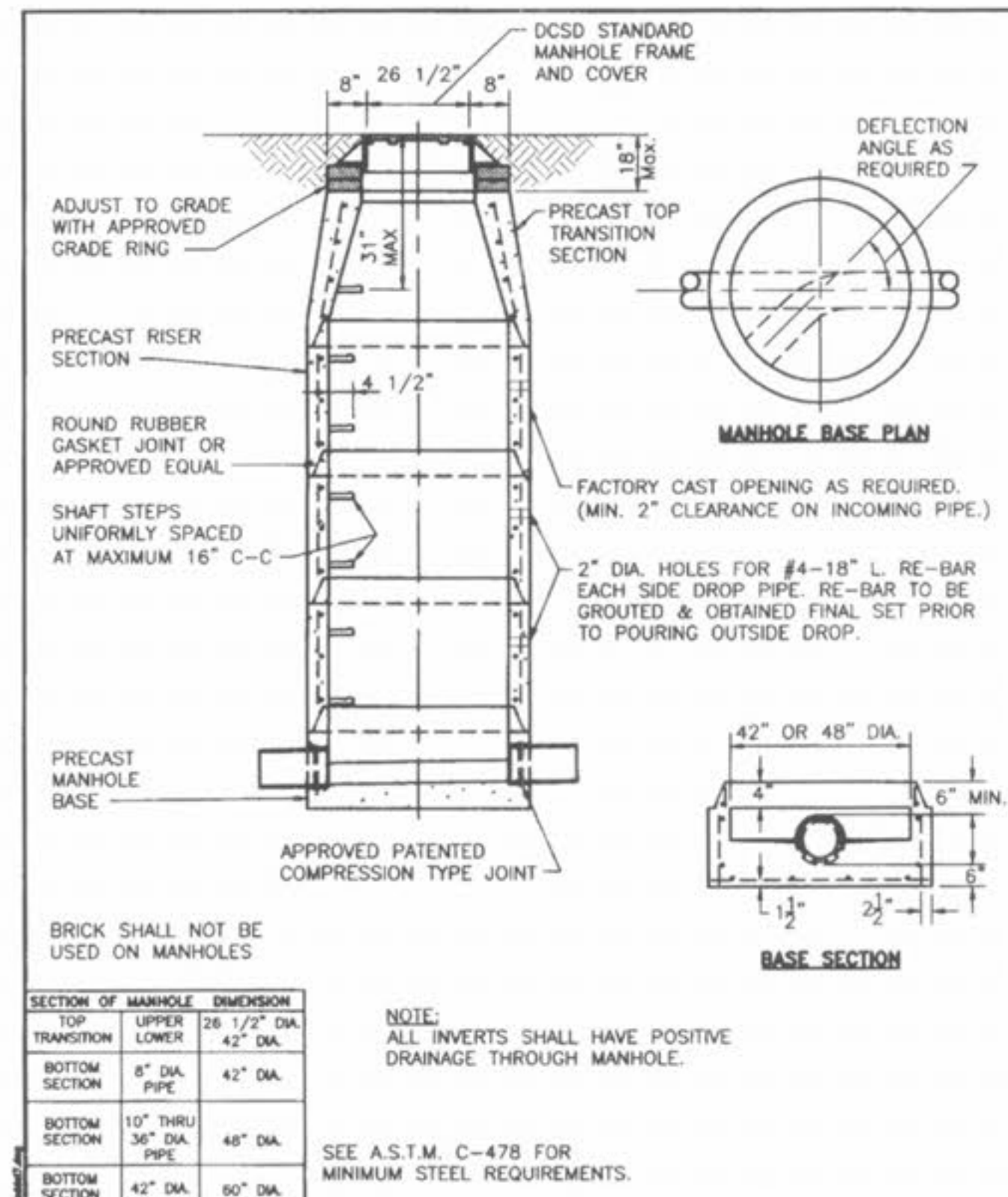
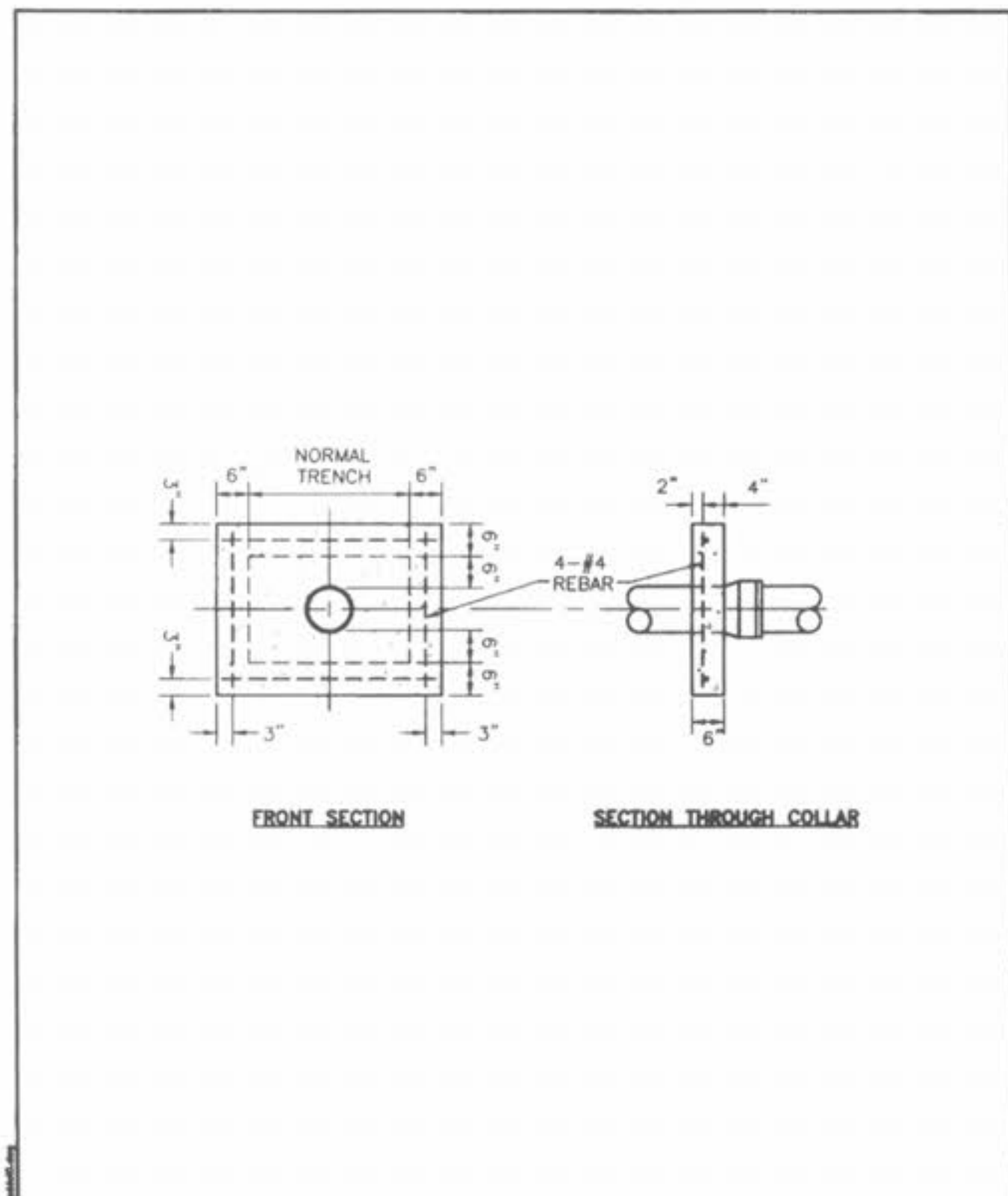
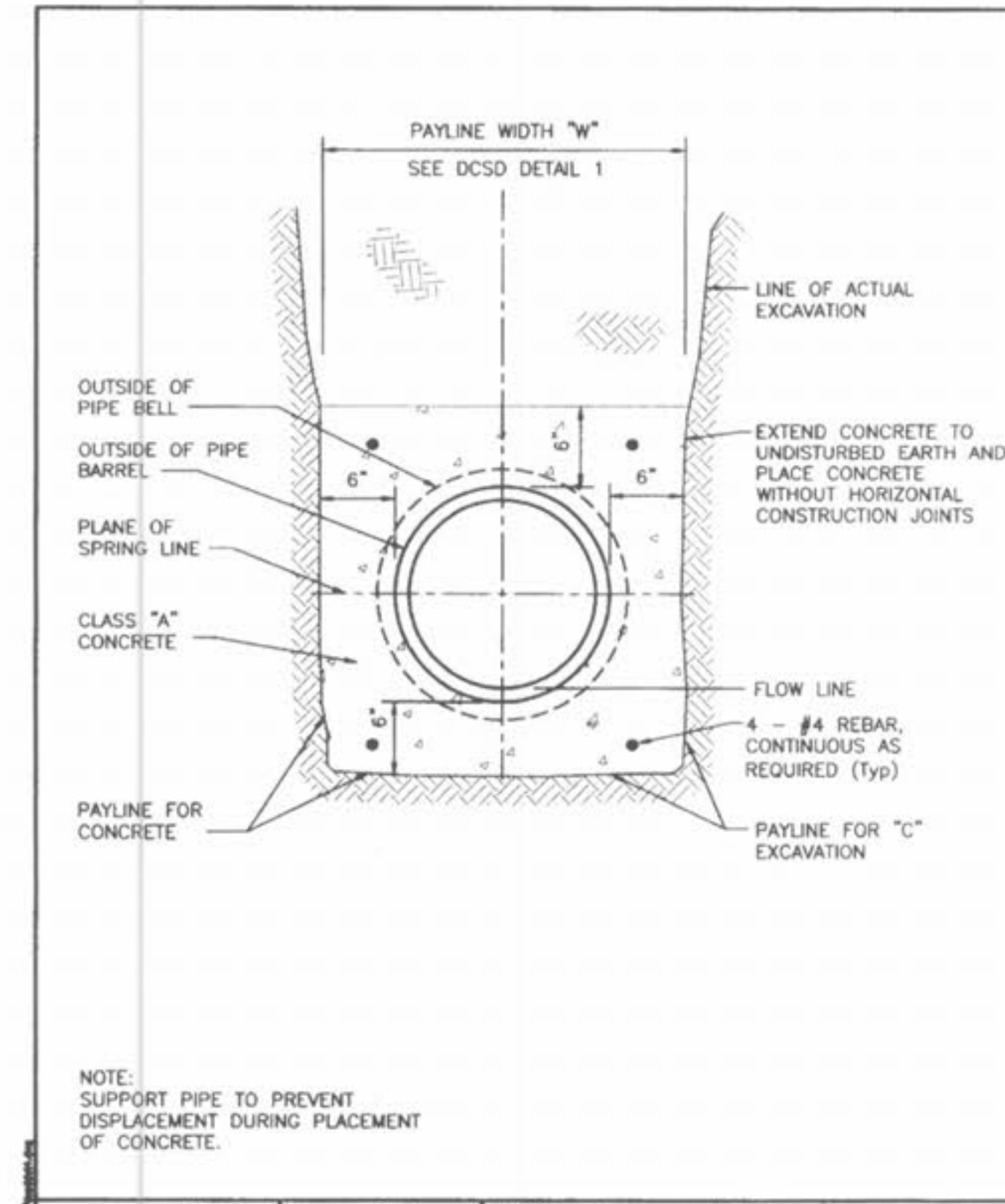
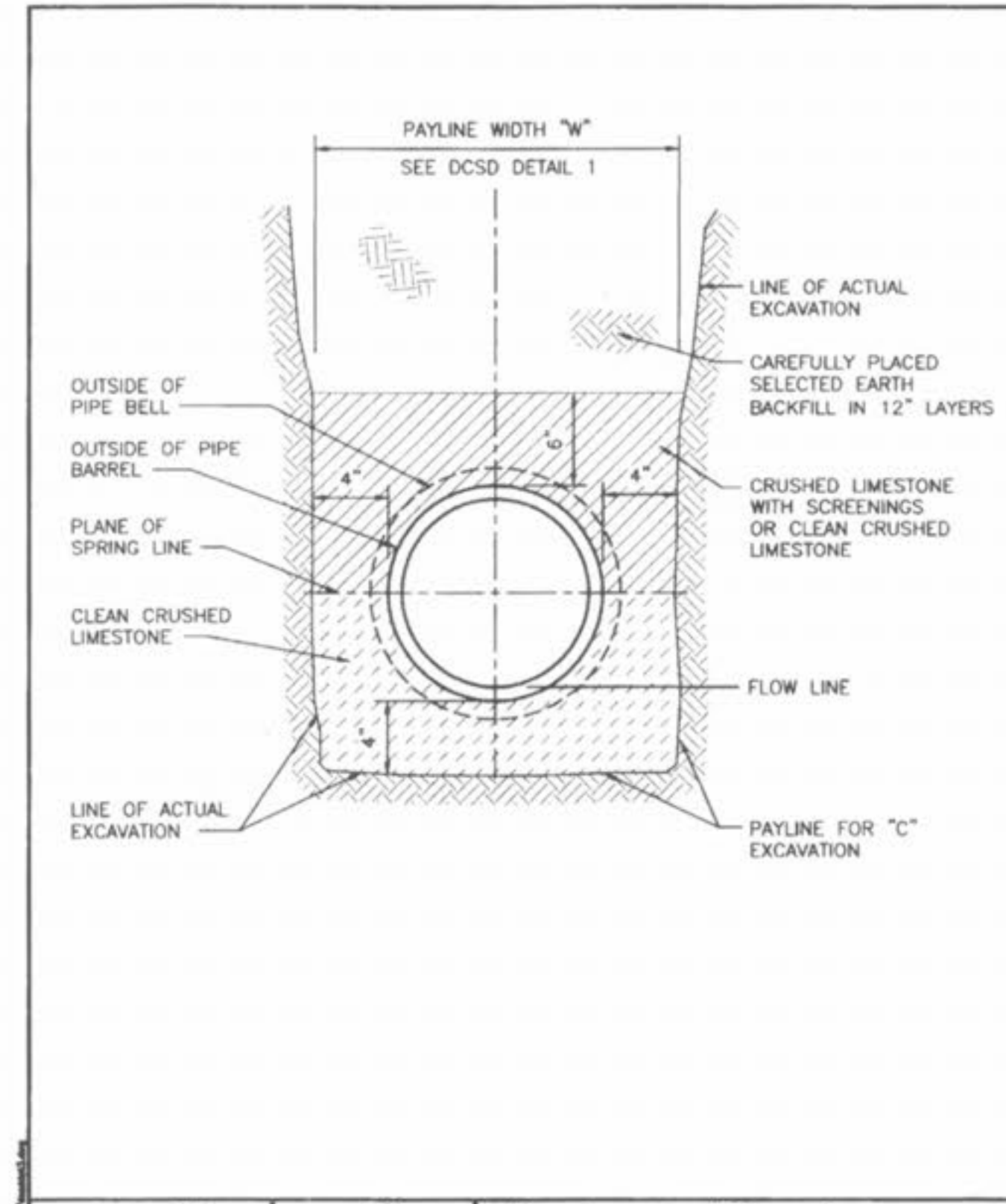
Drawing name: K:\D\0306147 Fox Haven\IMPROVEMENTS\6147DETAILED.dwg Plotted on: Aug 24, 2005 - 8:30am Plotted by: juetkenhaus

ROUND PIPE				HORIZONTAL ELLIPTICAL PIPE			
INSIDE DIAMETER OF PIPE (INCHES)	"W" PAYLINE WIDTH OF TRENCH (INCHES)	"W" PAYLINE WIDTH OF TRENCH (FEET)	PAY-VOLUMES CU. FT. PER FT. CONCRETE ENCASUREMENT	INSIDE DIAMETER OF PIPE (INCHES)	"W" PAYLINE WIDTH OF TRENCH (INCHES)	"W" PAYLINE WIDTH OF TRENCH (FEET)	PAY-VOLUMES CU. FT. PER FT. CONCRETE ENCASUREMENT
4	30	2.50	3.28				
6	30	2.50	3.59				
8	30	2.50	3.87				
10	30	2.50	4.09				
12	30	2.50	4.25				
15	36	3.00	5.55				
18	36	3.00	5.77	14 x 23	41	3.42	5.94
21	39	3.25	6.61				
24	42	3.50	7.39	19 x 30	49	4.08	7.68
27	45	3.75	8.18	22 x 34	53	4.42	8.61
30	49	4.08	9.30	24 x 38	58	4.83	9.70
33	53	4.42	10.53	27 x 42	62	5.17	10.71
36	56	4.67	11.43	29 x 45	66	5.50	11.72
39		DISCONTINUED		32 x 49	71	5.92	13.14
42	63	5.25	13.38	34 x 53	75	6.25	14.05
48	70	5.83	15.67	38 x 60	83	6.92	16.18
54	77	6.42	18.15	43 x 68	92	7.67	18.81
60	84	7.00	20.73	48 x 76	101	8.42	21.59
66	91	7.58	23.45	53 x 83	109	9.08	24.35
72	98	8.17	26.37	58 x 91	118	9.83	27.45
78	105	8.75	29.39	63 x 98	126	10.50	30.50
84	112	9.33	32.57	68 x 106	135	11.25	33.91
90	119	9.92	35.90	72 x 113	143	11.92	36.99
96	126	10.50	39.37	77 x 121	152	12.67	40.69
102	133	11.08	42.99	82 x 128	160	13.33	44.45
108	140	11.67	46.75	87 x 136	168	14.00	47.79
114	147	12.25	50.66	92 x 143	176	14.67	51.70
120	154	12.83	54.72	97 x 151	185	15.42	56.01
126	161	13.42	58.92				
132	168	14.00	63.27	106 x 166	202	16.83	64.48
144	182	15.17	72.40	116 x 180	218	18.17	73.59

DUCKETT CREEK SANITARY DISTRICT
 PAYLINE WIDTHS OF TRENCH AND PAY-QUANTITIES OF CONCRETE
 Des. By: BSM App. By: KLA Detail No. 1
 Ckd. By: MDOB Date: 12-21-99



DUCKETT CREEK SANITARY DISTRICT
 PAYLINE LIMITS FOR EXCAVATION
 Des. By: BSM App. By: KLA Detail No. 2
 Ckd. By: MDOB Date: 12-21-99



ISSUE REMARKS/DATE

1	03-07-04	FIRST SUBMITTAL
2	06-15-04	REVISED PER CITY & DCSD COMMENTS
3	07-20-04	REVISED PER CITY COMMENTS
4	08-04-04	REVISED PER CITY COMMENTS
5	08-12-04	REVISED PER PWSDF COMMENTS

PREPARED FOR:
McBride & Son Homes Land Development, Inc.
 #1 McBride & Son Center Drive
 Chesterfield, Missouri 63005
 (636) 537-2000



PREPARED BY:
THE STERLING CO.
 ENGINEERS & SURVEYORS
 5055 NEW BALMARTIN ROAD
 ST. LOUIS, MISSOURI 63129
 (314) 487-0440 FAX 487-8844
 E-Mail: Sterling@sterling-eng-sur.com

DRAWN: [] DESIGNED: [] CHECKED: []
FOX HAVEN
 PROJECT: [] SHEET TITLE: DCSD CONSTRUCTION DETAILS

NO. 03 06 147
 M.S.D. SHEET
 P# CD7
 DIGITAL FILE LOCATION: []
 SOURCE: []
 DATE: []
 BY: []