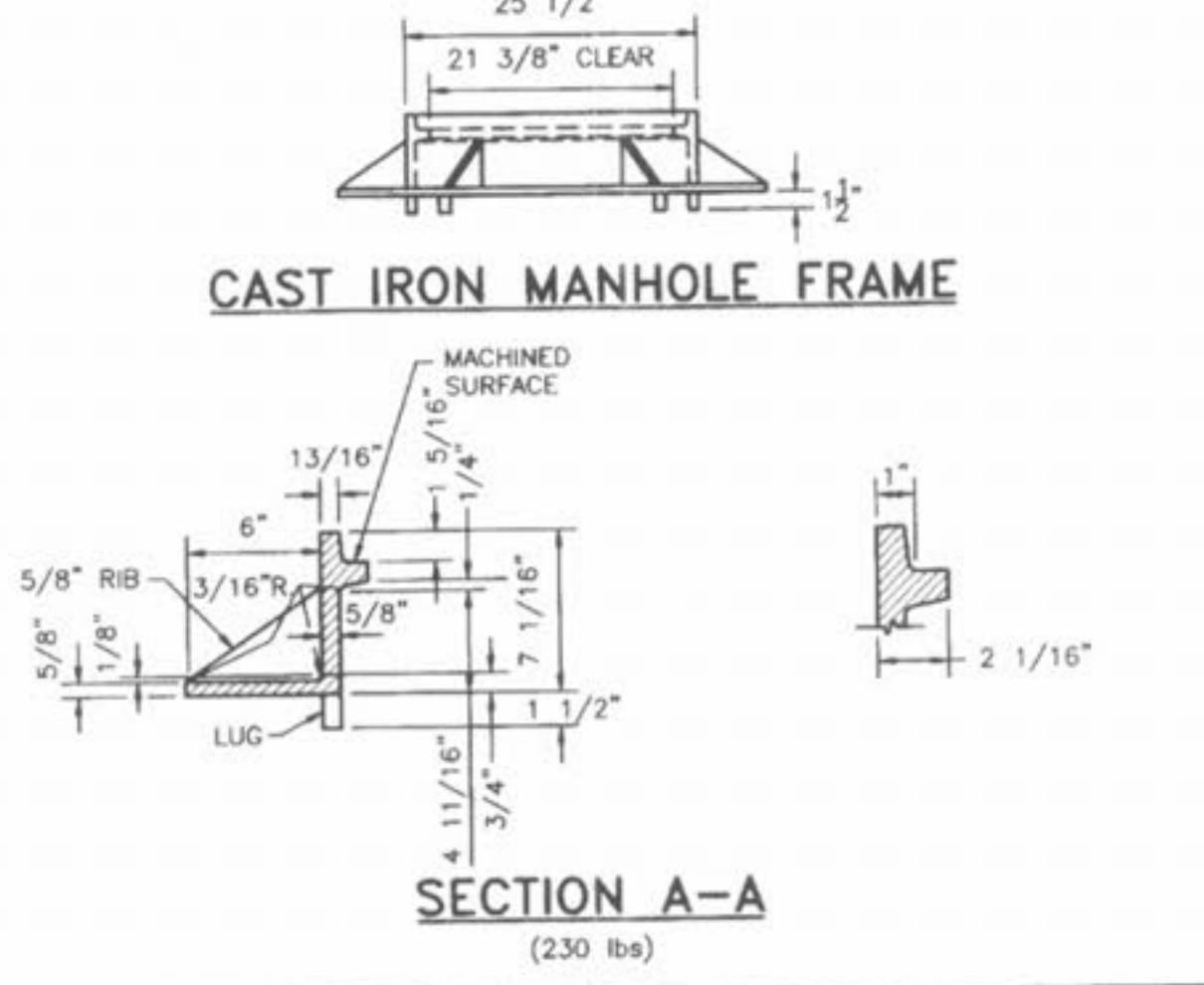
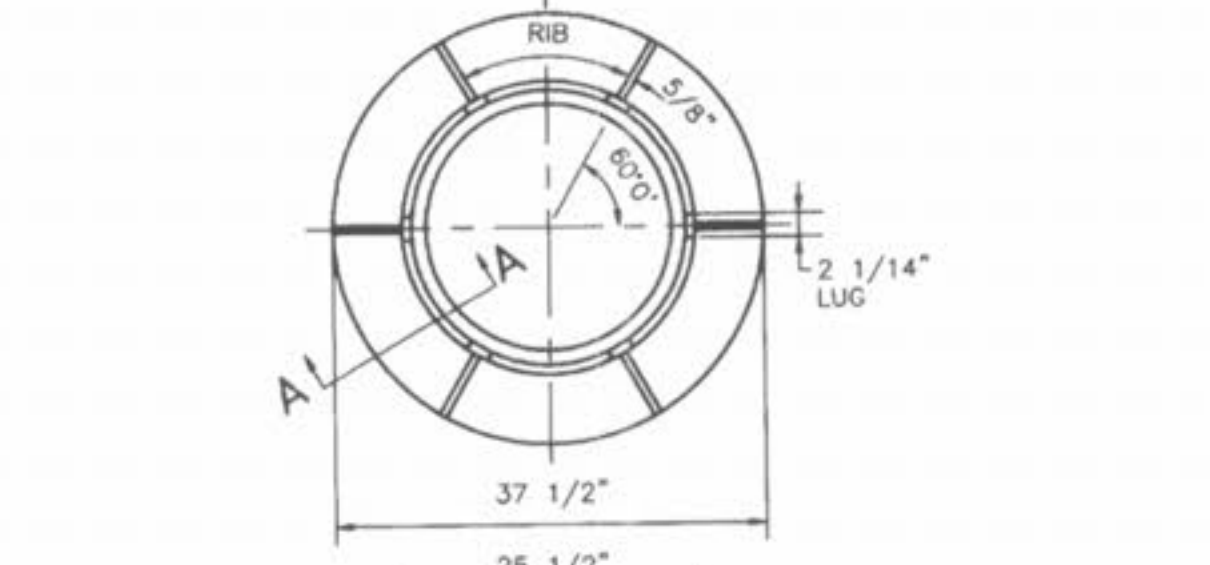
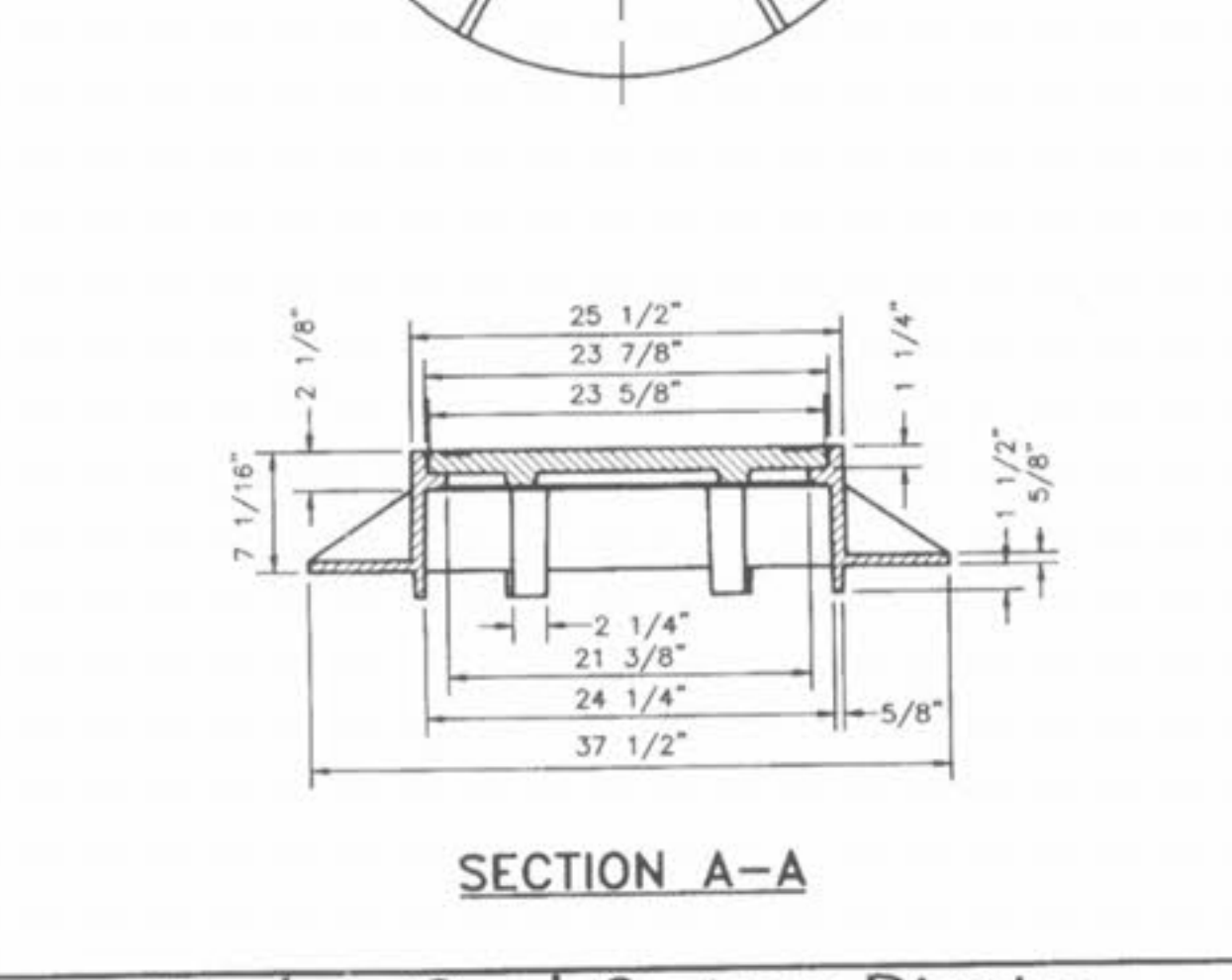
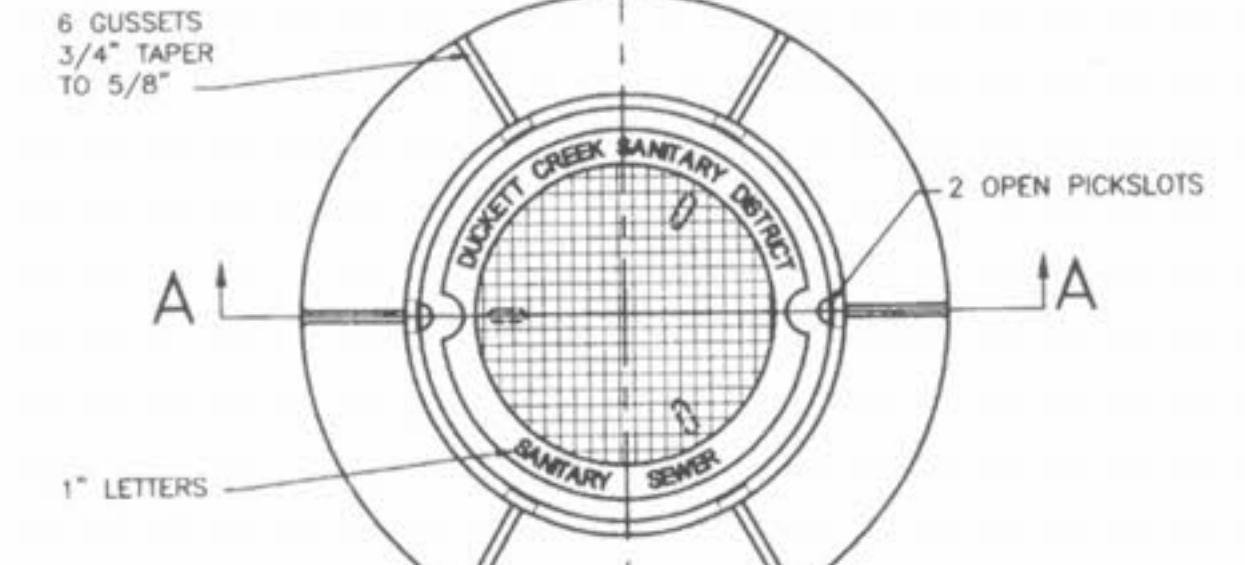


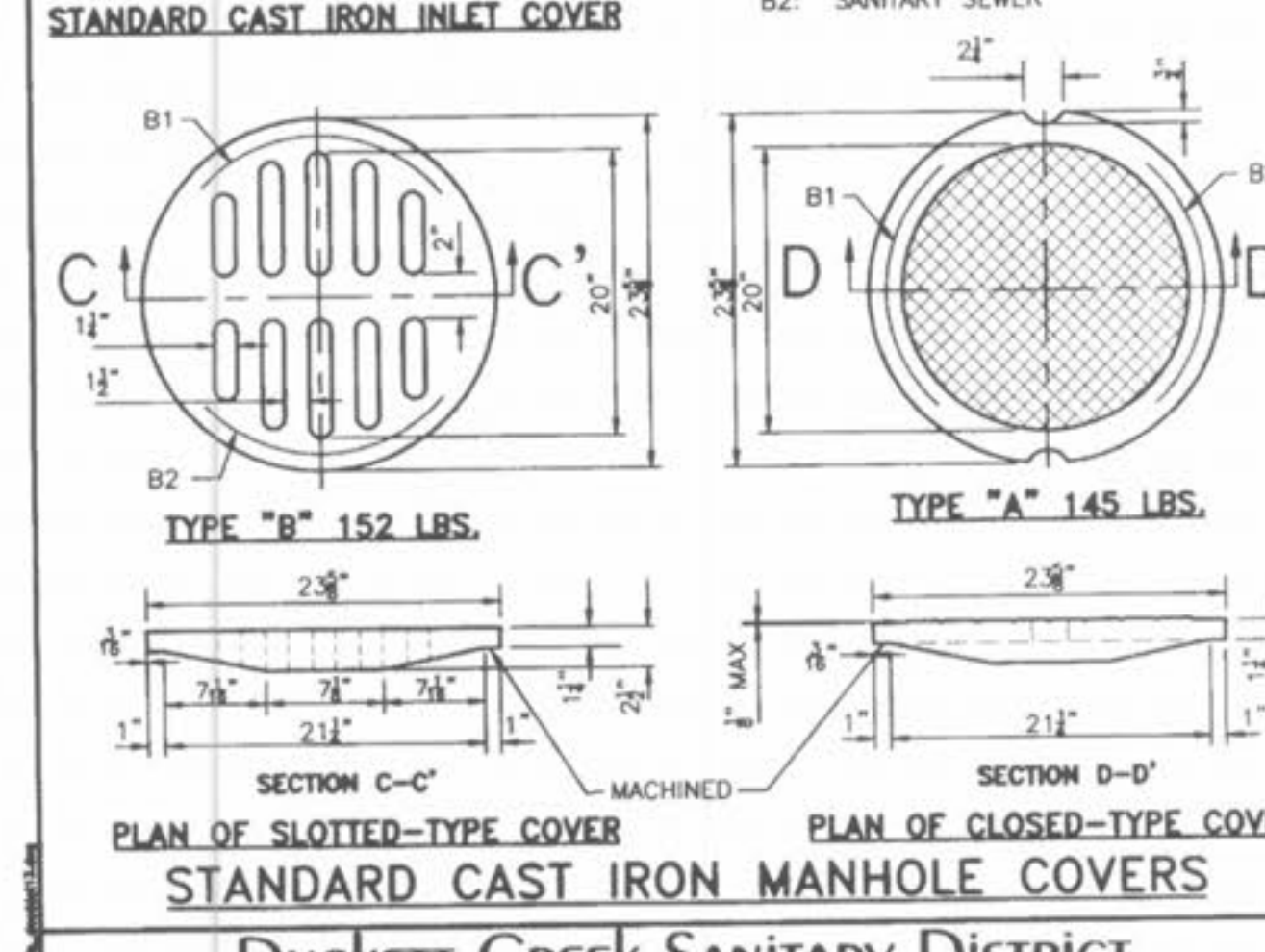
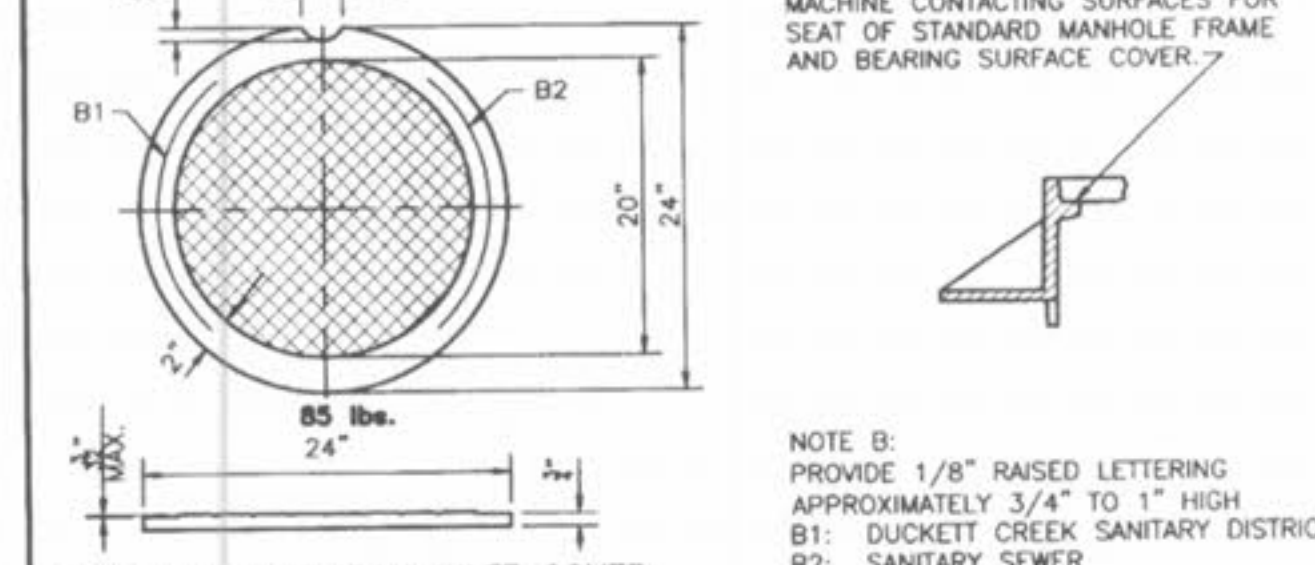
Duckett Creek Sanitary District			
INSIDE DROP MANHOLE	Des. By: BSM	App. By: KLA	Detail No. 10
	Chd. By: MDOB	Date: 01-10-00	



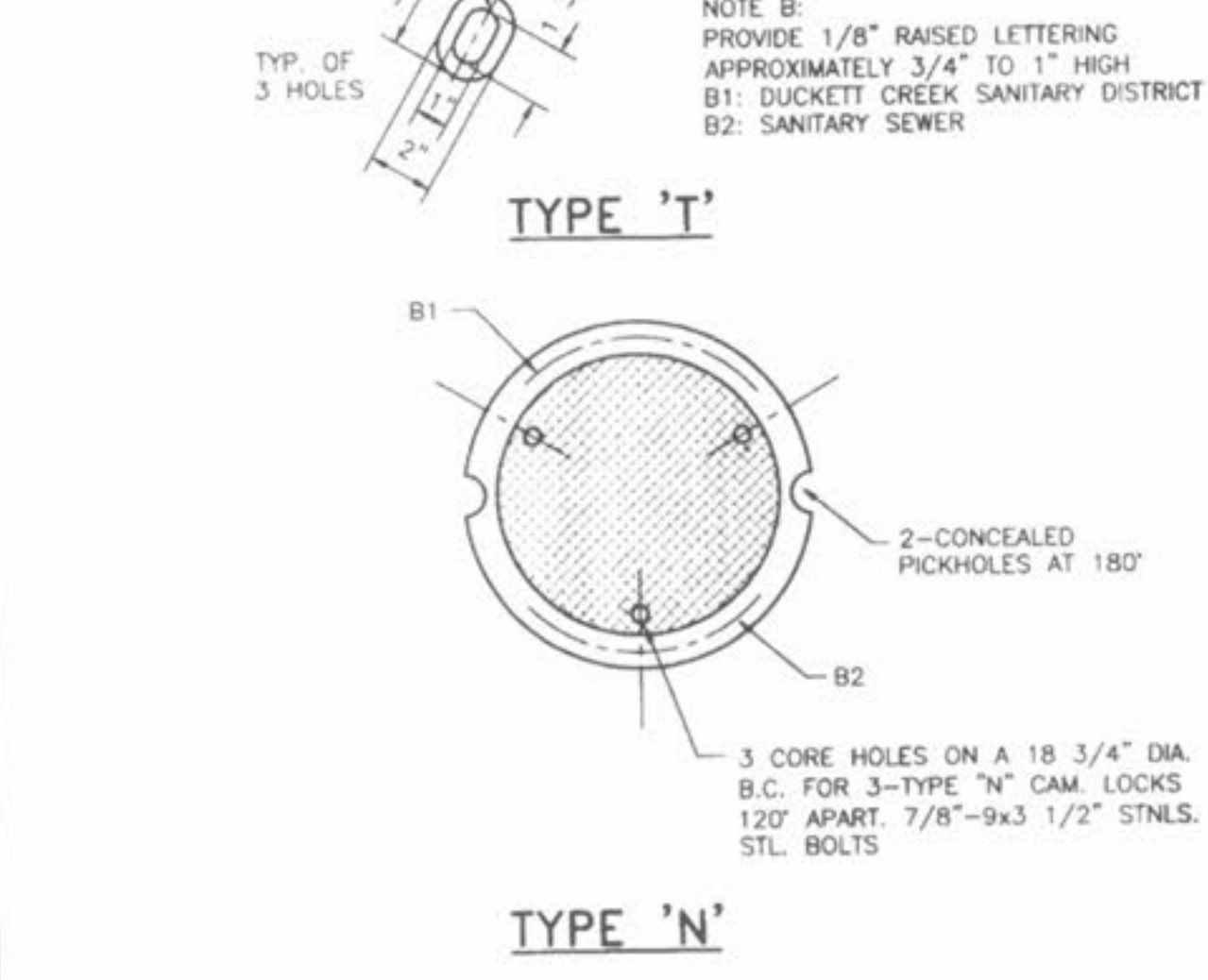
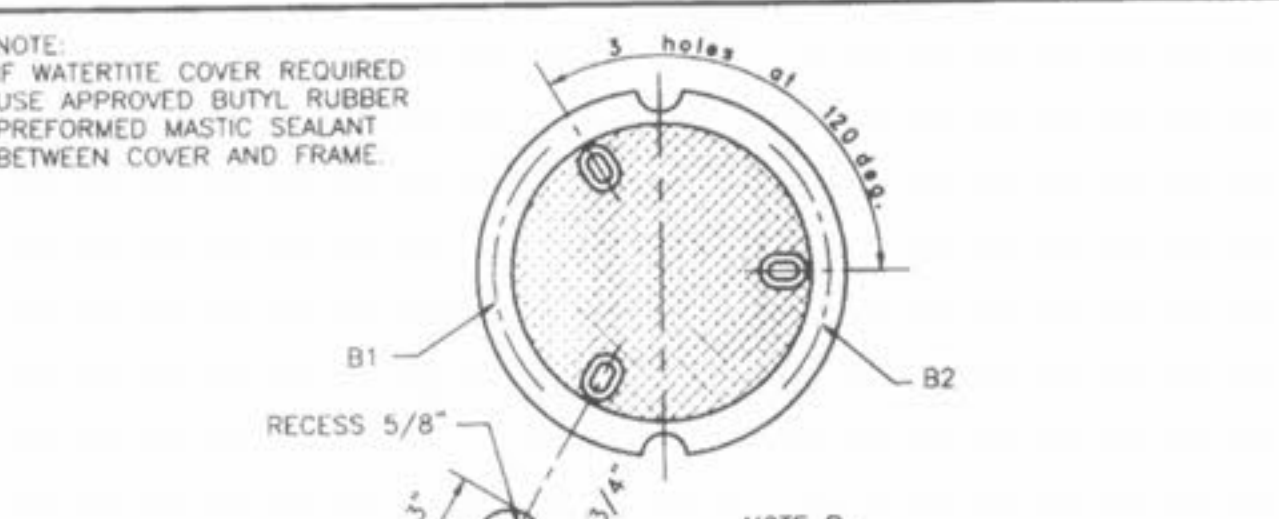
Duckett Creek Sanitary District			
CAST IRON MANHOLE FRAME	Des. By: BSM	App. By: KLA	Detail No. 11
	Chd. By: MDOB	Date: 01-14-00	



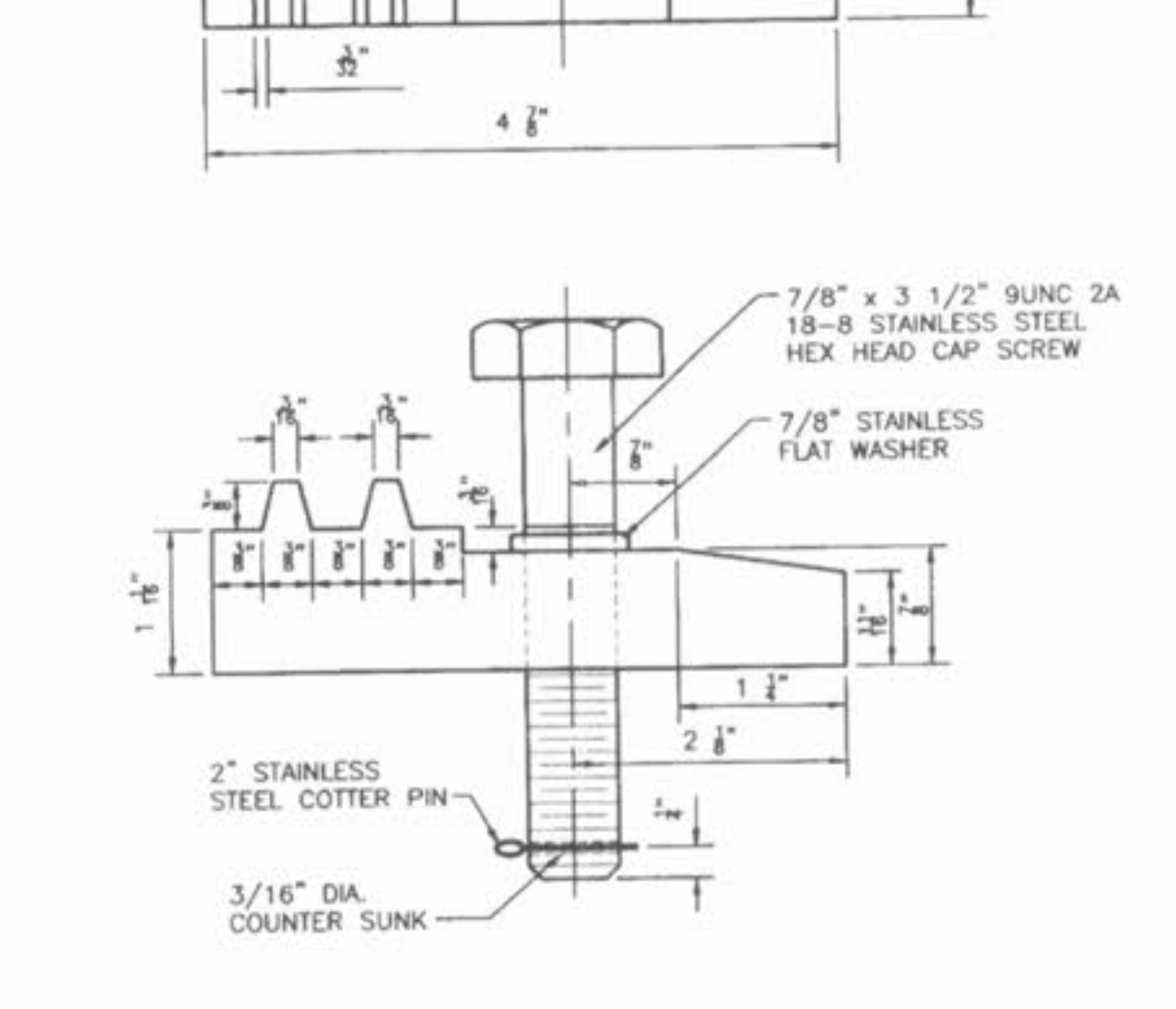
Duckett Creek Sanitary District			
MANHOLE FRAME AND COVER	Des. By: BSM	App. By: KLA	Detail No. 12
	Chd. By: MDOB	Date: 01-14-00	



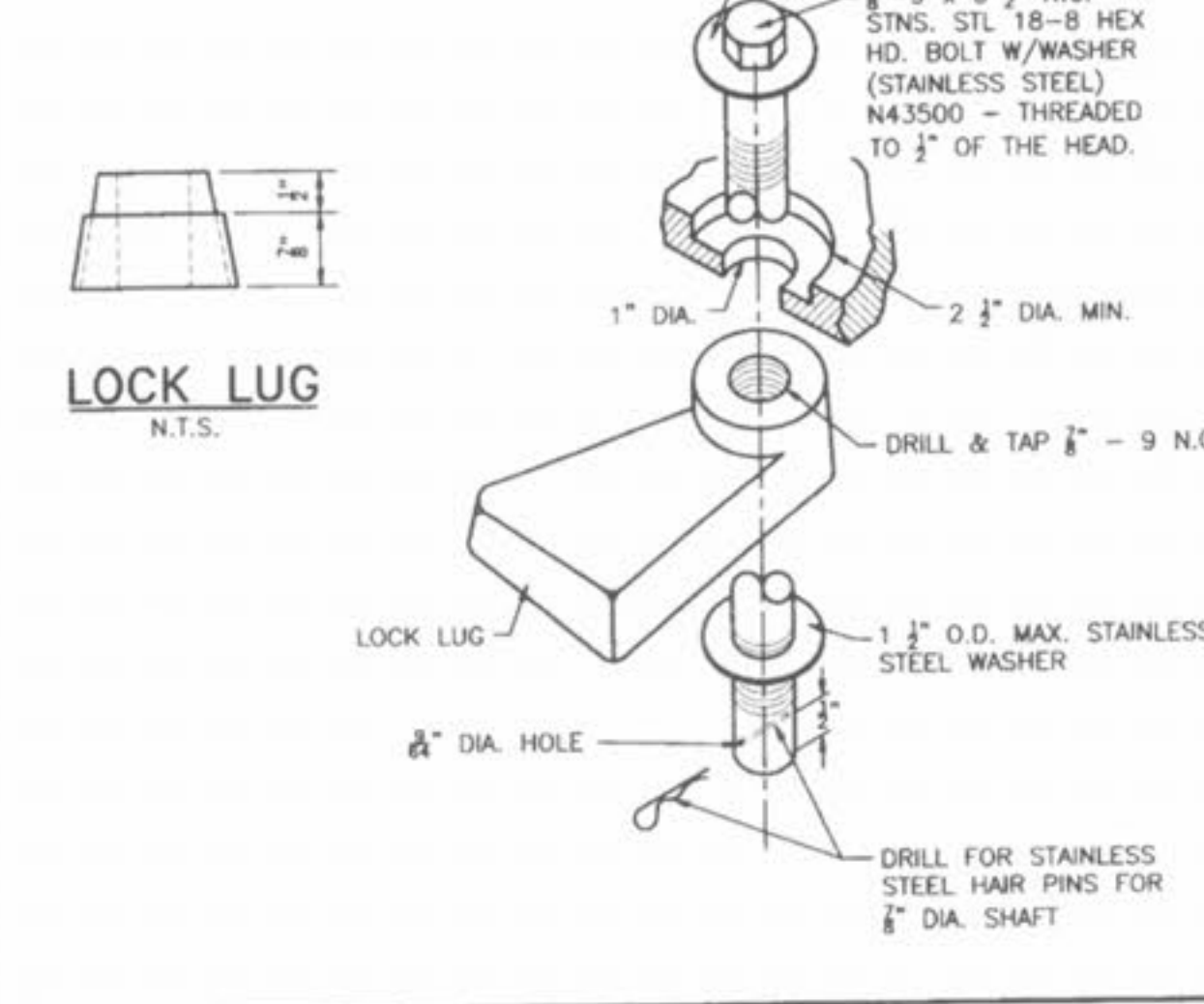
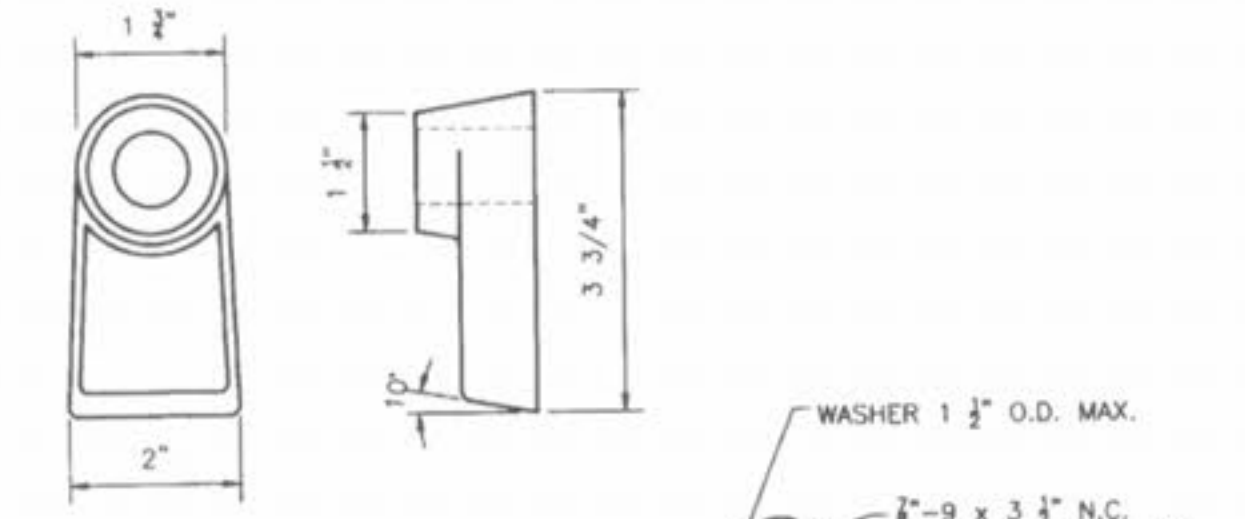
Duckett Creek Sanitary District			
CAST IRON COVERS MANHOLES AND INLETS	Des. By: BSM	App. By: KLA	Detail No. 13
	Chd. By: MDOB	Date: 12-22-00	



Duckett Creek Sanitary District			
CAST IRON MANHOLE COVERS (LOCK TYPE)	Des. By: BSM	App. By: KLA	Detail No. 14
	Chd. By: MDOB	Date: 12-27-00	



Duckett Creek Sanitary District			
LOCKING DEVICE FOR TYPE "N" LOCK TYPE MANHOLE COVER	Des. By: BSM	App. By: KLA	Detail No. 15
	Chd. By: MDOB	Date: 12-27-00	



Duckett Creek Sanitary District			
MANHOLE STEP PRECAST MANHOLE	Des. By: BSM	App. By: KLA	Detail No. 18
	Chd. By: MDOB	Date: 1-3-01	

ISSUE	REMARKS/DATE
1	03-01-04 FIRST SUBMITTAL
2	06-15-04 REVISED PER CITY & DCSD COMMENTS
3	07-20-04 REVISED PER CITY COMMENTS
4	08-04-04 REVISED PER CITY COMMENTS
5	08-12-04 REVISED PER PWS&D2 COMMENTS

PREPARED FOR:
McBride & Son Homes Land Development, Inc.
#1 McBride & Son Center Drive
Chesterfield, Missouri 63005
(636) 537-2000

THE **STERLING** CO.
ENGINEERS & SURVEYORS
3025 NEW BARKGARTNER ROAD
ST. LOUIS, MISSOURI 63126
(314) 487-0440 FAX 487-8944
E-Mail: Sterling@sterling-eng-sur.com

PROJECT: **FOX HAVEN**
SHEET TITLE: DCSD CONSTRUCTION DETAILS

NO. 03 06 147
M.S.D. SHEET
P# CD8
DIGITAL FILE LOCATION SERVER=STERLING-2 11/17/04

DRAWN:	DESIGNED:	CHECKED:
PROJECT:	SHEET TITLE:	DCSD CONSTRUCTION DETAILS

Drawing name: K:\D_0306147 Fox Haven\IMPROVEMENTS\B147DETAILS.dwg Plotted on: Aug 24, 2005 - 8:30am Plotted by: Juekenhouse