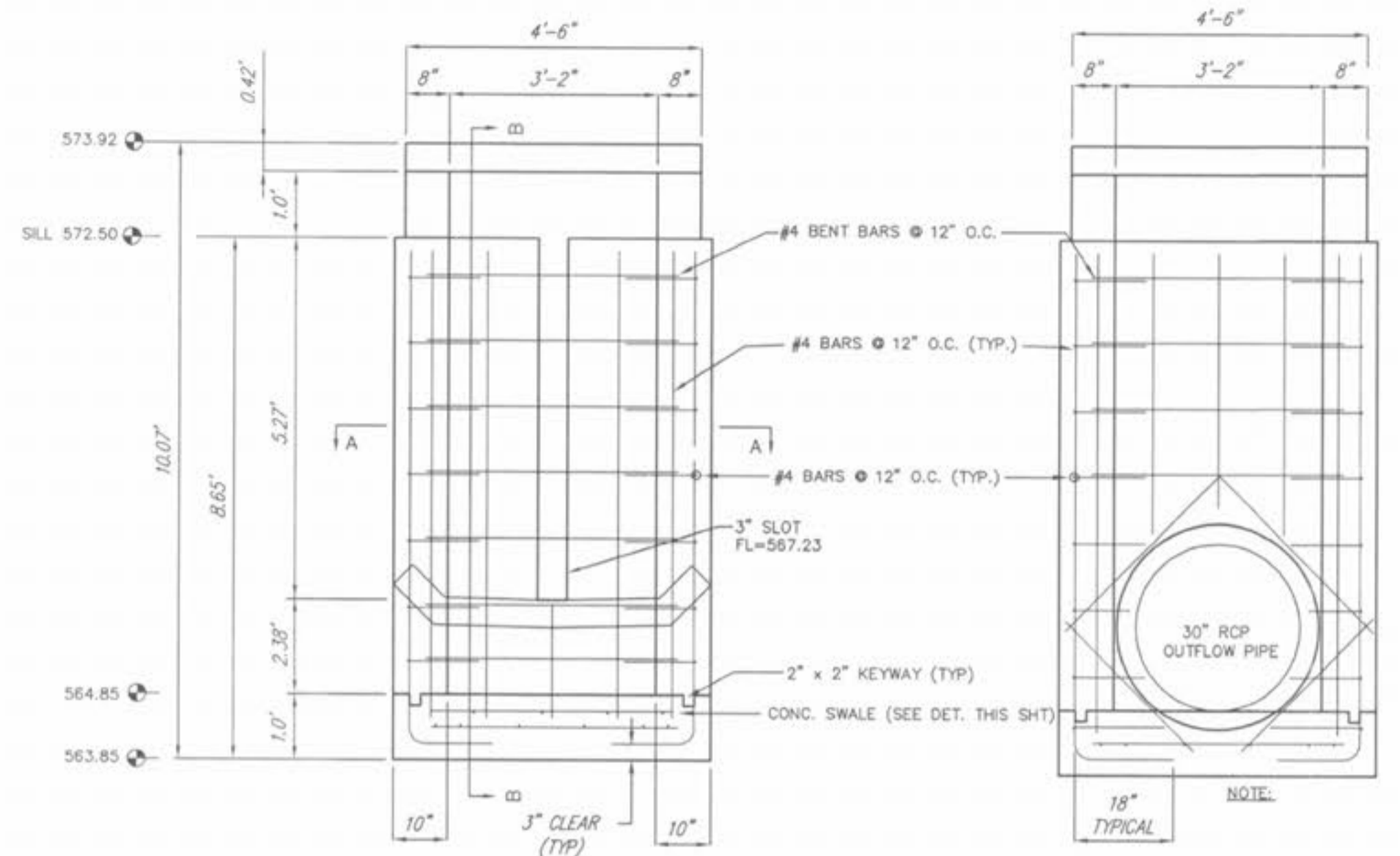
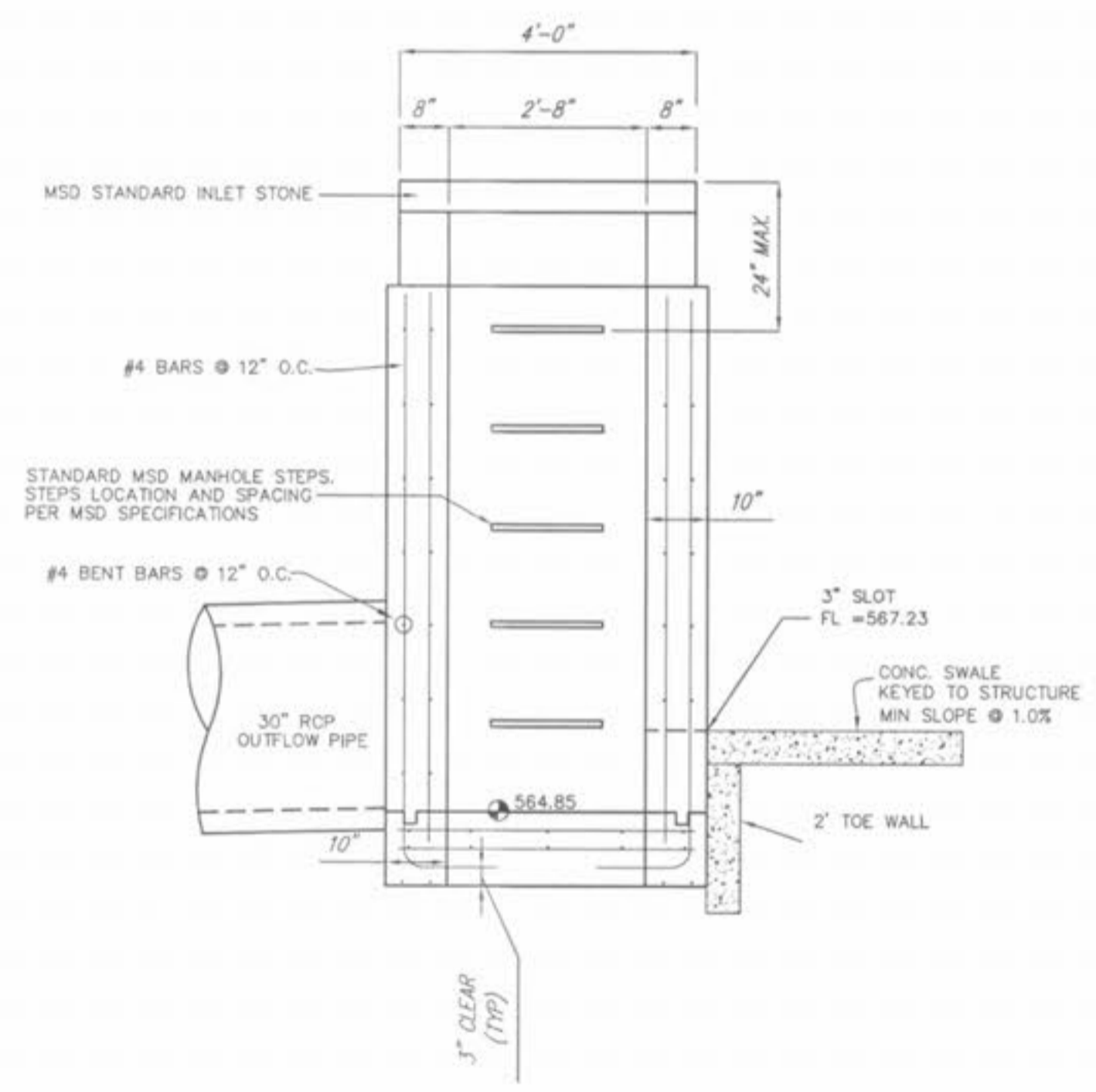


Drawing name: K:\0405084 FOX HAVEN ADDN.dwg Improvements\5084\IP.dwg Plotted on: Jan 06, 2006 - 11:11pm Plotted by: wtroung

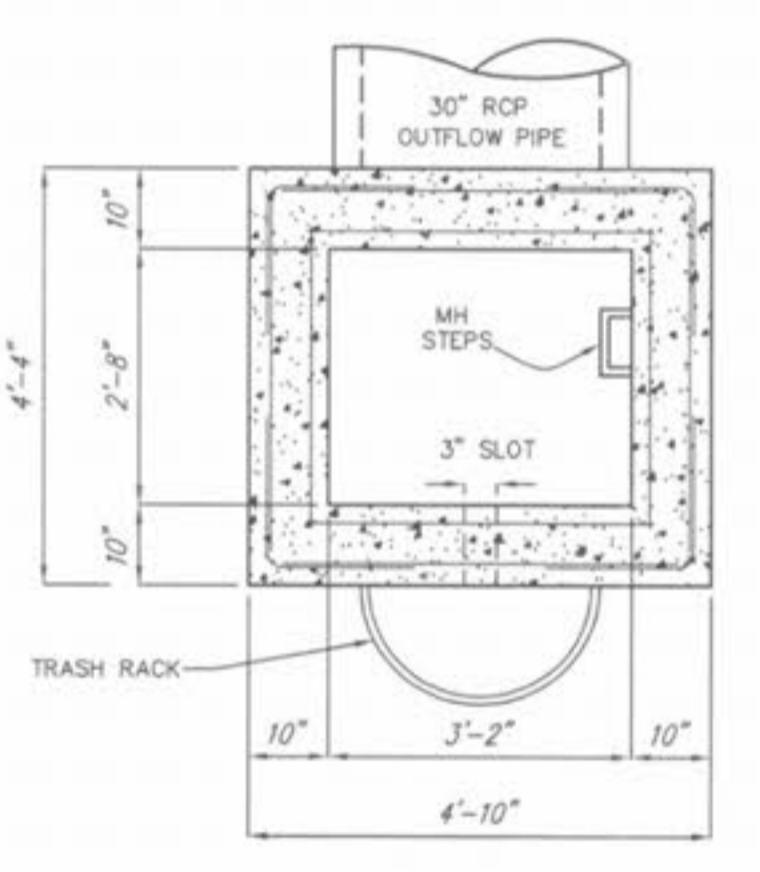


OUTFALL STRUCTURE FRONT ELEVATION
N.T.S.

OUTFALL STRUCTURE REAR ELEVATION
N.T.S.



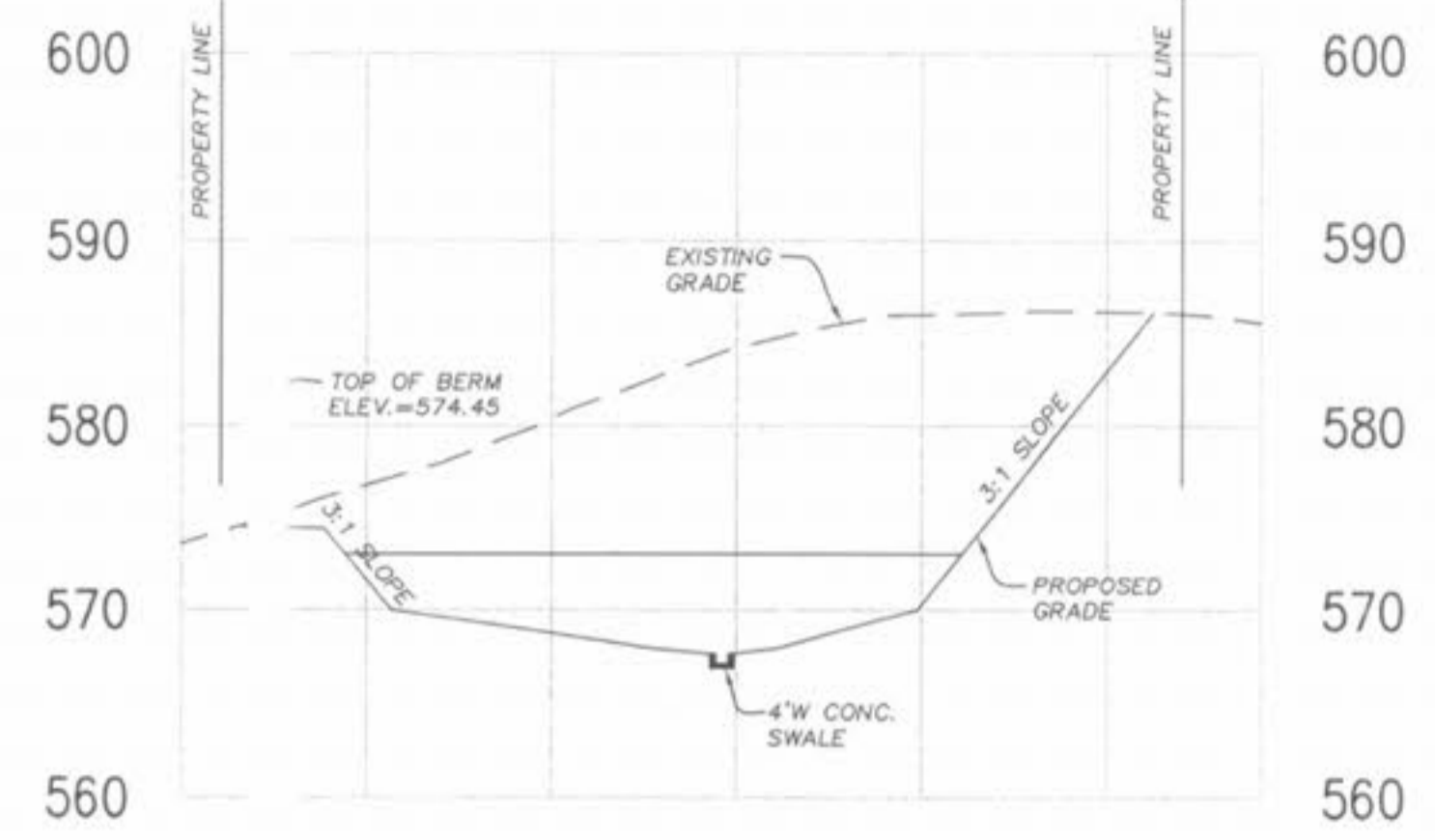
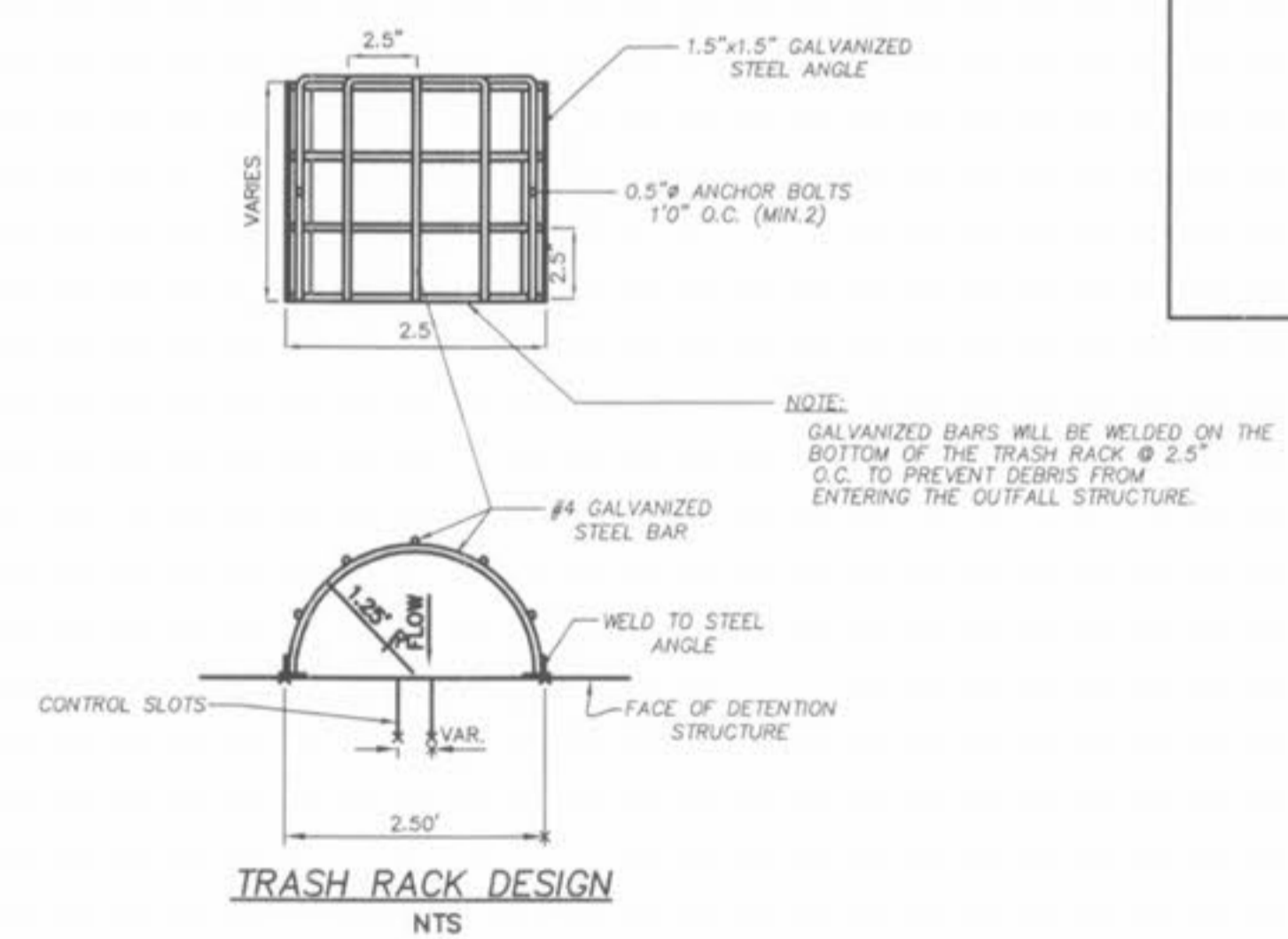
OUTFALL STRUCTURE SECTION B-B
N.T.S.



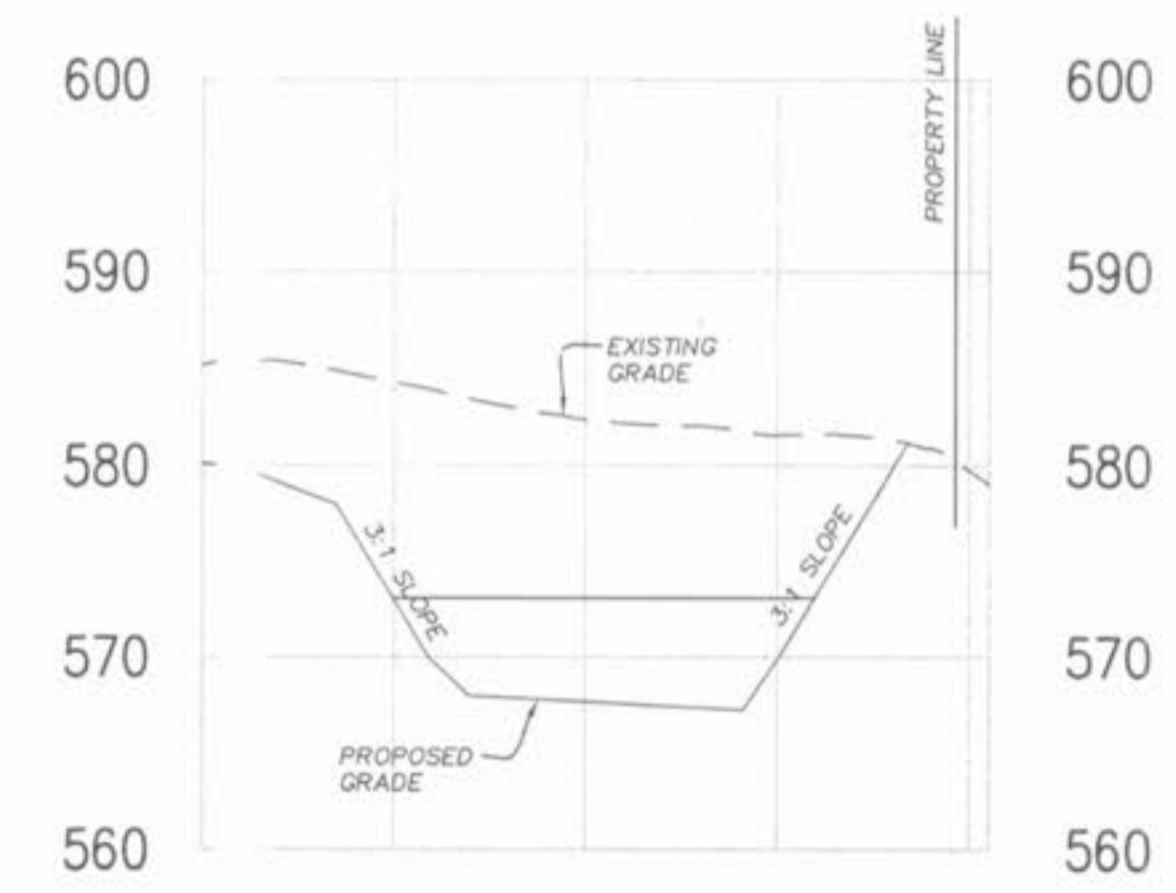
OUTFALL STRUCTURE SECTION A-A
N.T.S.

OUTFALL STRUCTURE HW ELEV.

2 YEAR-20 MIN. STORM, W.S. ELEV.=	570.16
15 YEAR-20 MIN. STORM, W.S. ELEV.=	571.18
25 YEAR-20 MIN. STORM, W.S. ELEV.=	571.73
100 YEAR-20 MIN. STORM, W.S. ELEV.=	572.47
3" SLOT BLOCKED CONDITION:	
100 YR-20 MIN. STORM, W.S. ELEV. =	573.45



SECTION A-A

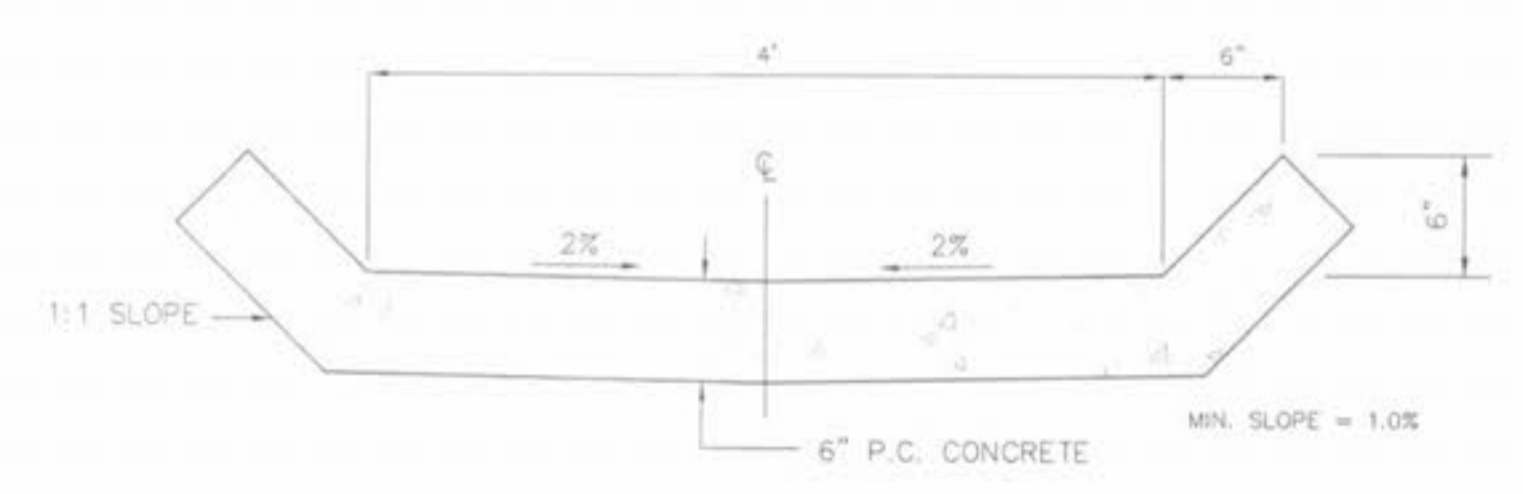


SECTION B-B

DETENTION CROSS SECTIONS

HORIZONTAL SCALE: 1"=50'
VERTICAL SCALE: 1"=10'

OUTFALL STRUCTURE DETAIL



CONCRETE SWALE DETAIL
NTS

REMARKS/DATE

1	REV PER DUCKETT CREEK SANI. DISTRICT 9-20-05
2	REV PER CITY AND WATER DISTRICT COMMENTS 5-26-05
3	REV PER DUCKETT CREEK SANI. DISTRICT 10-17-05
4	REV PER DUCKETT CREEK SANI. DISTRICT 10-24-05
5	REV PER PUBLIC WATER DISTRICT NO. 2 11-14-05
6	REV PER CITY OF FALLON, 12-02-05
7	REV PER CITY OF FALLON, 1-9-2006

PREPARED FOR:
McBride & Son Homes Land Development, Inc.
#1 McBride & Son Center Drive
Chesterfield, MO. 63005
636 537-2000



PREPARED BY:
THE STERLING CO.
ENGINEERS & SURVEYORS
5055 NEW BAUMGARTNER ROAD
ST. LOUIS, MISSOURI 63129
(314) 487-0440 FAX 487-8844
E-Mail: Sterling@sterling-eng-sur.com

PROJECT: **FOX HAVEN ADDITION**

SHEET TITLE: **DETENTION BASIN SECTIONS & OUTFALL STRUCTURE DETAILS**

DRAWN:	DESIGNED:	CHECKED:
--------	-----------	----------

NO.	04	05	084
M.S.D.			SHEET
PI#		12	OF
DIGITAL FILE LOCATION	SERVAN-STERLING-2		
ENTER DRAWING NAME (20)	ENTER DRAWING NAME (20)		