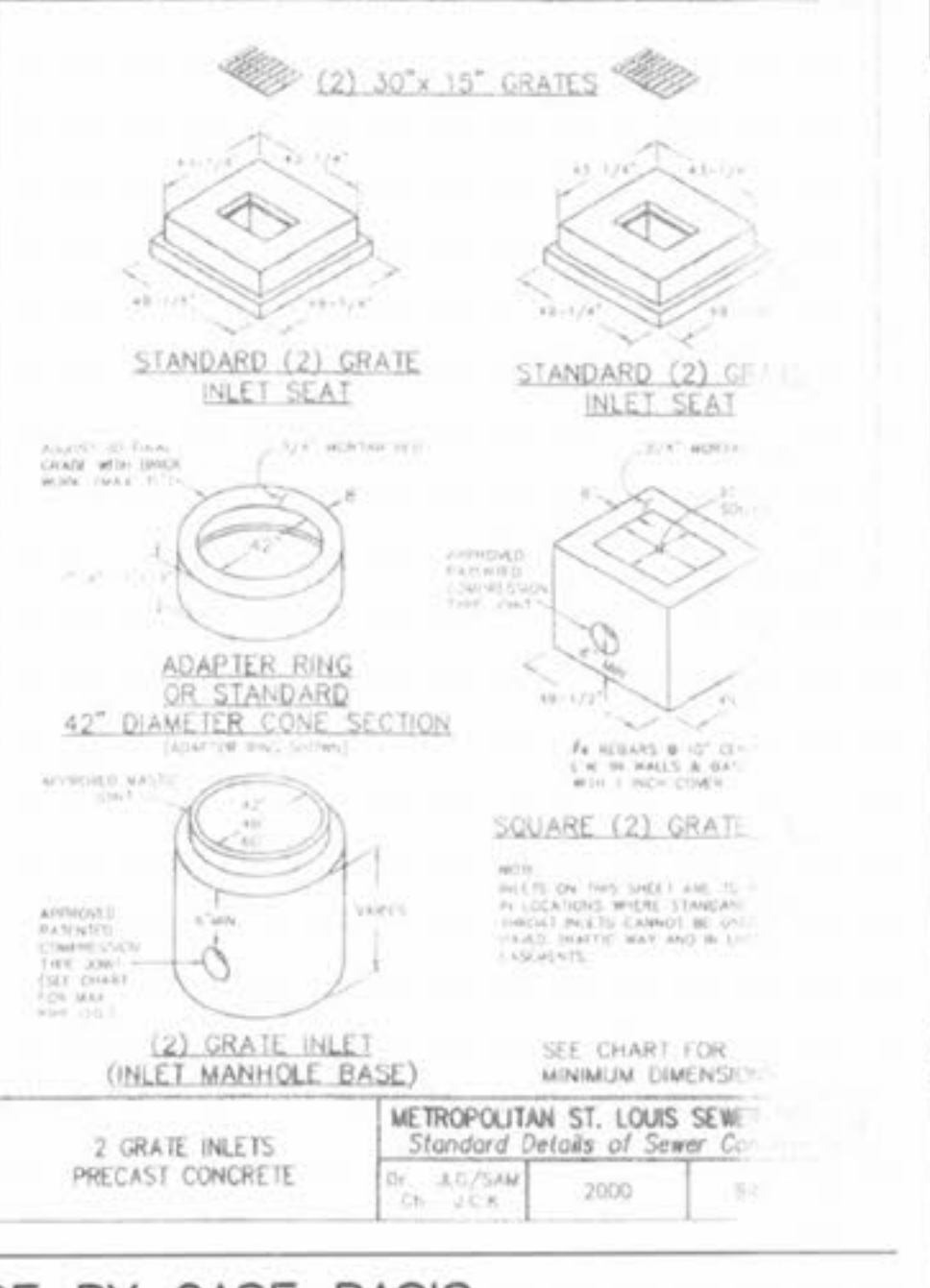
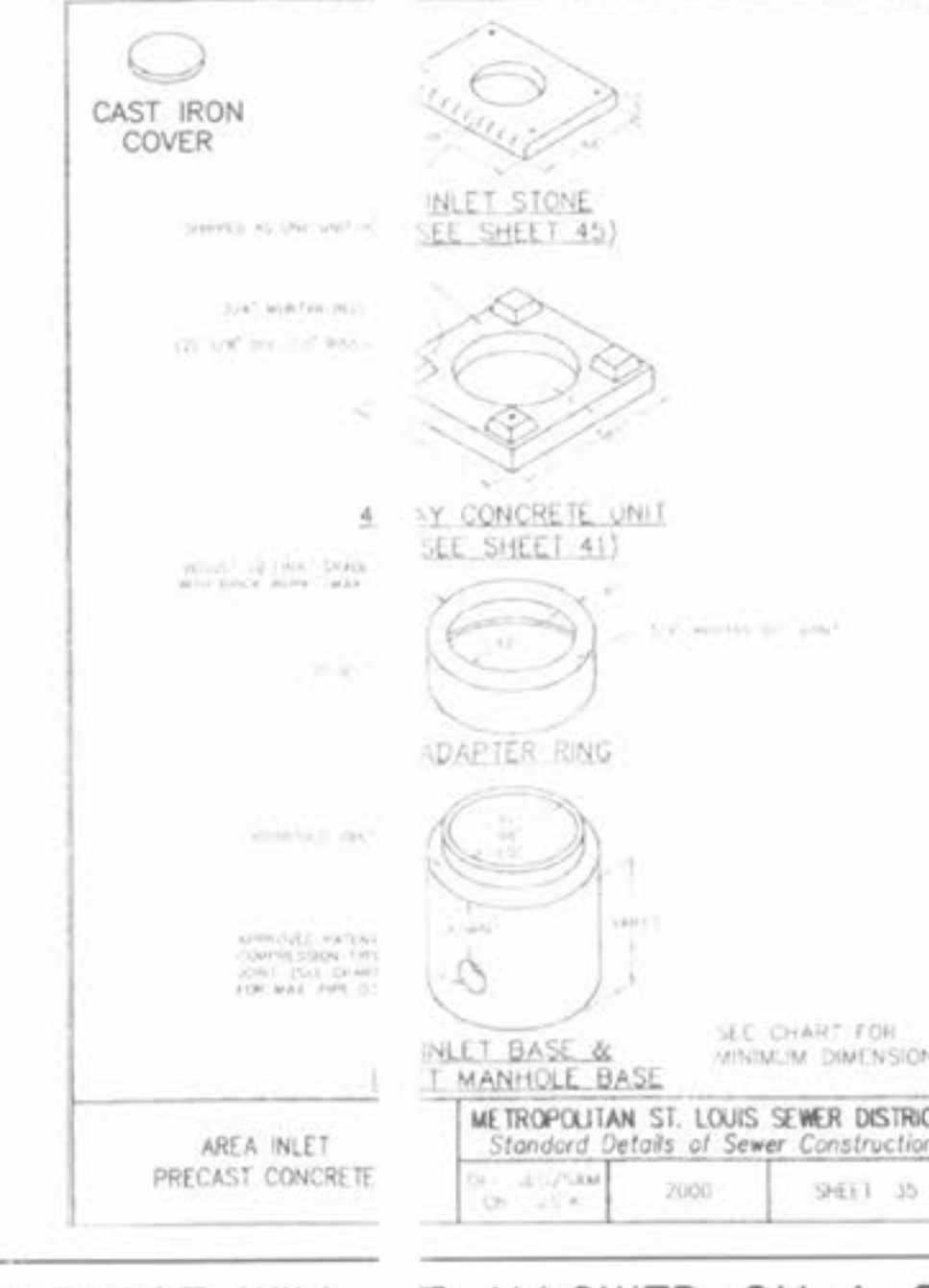
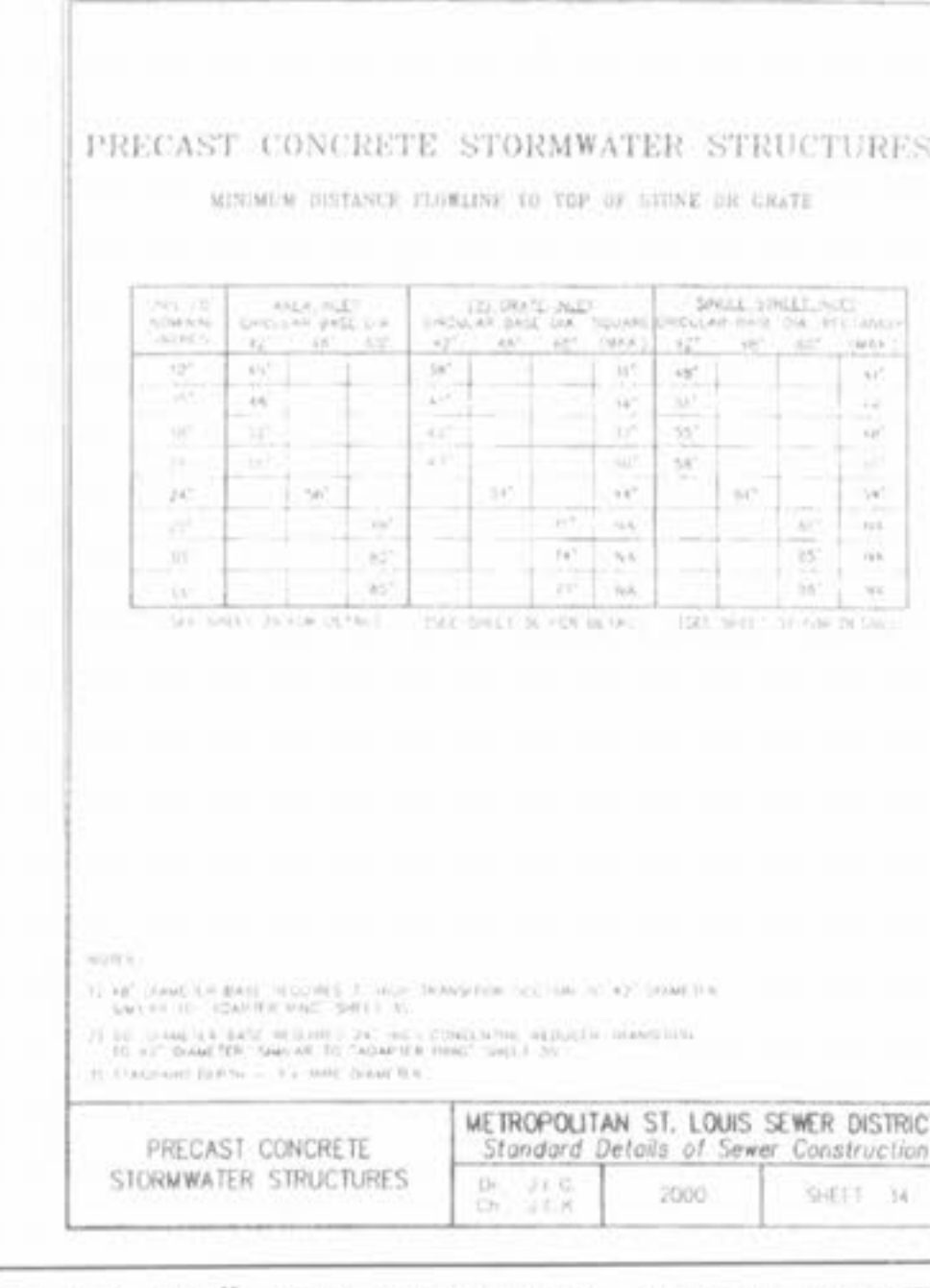
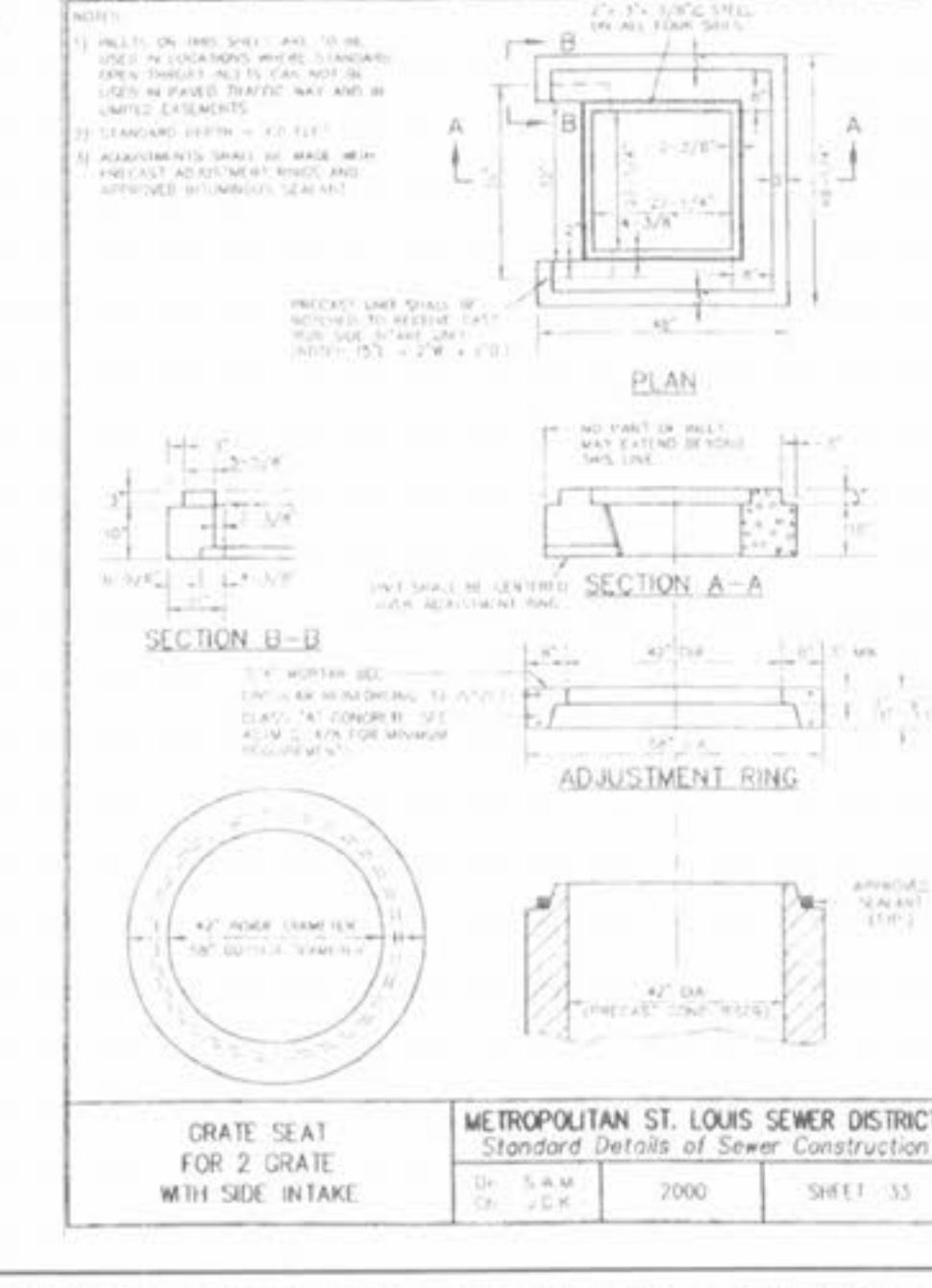
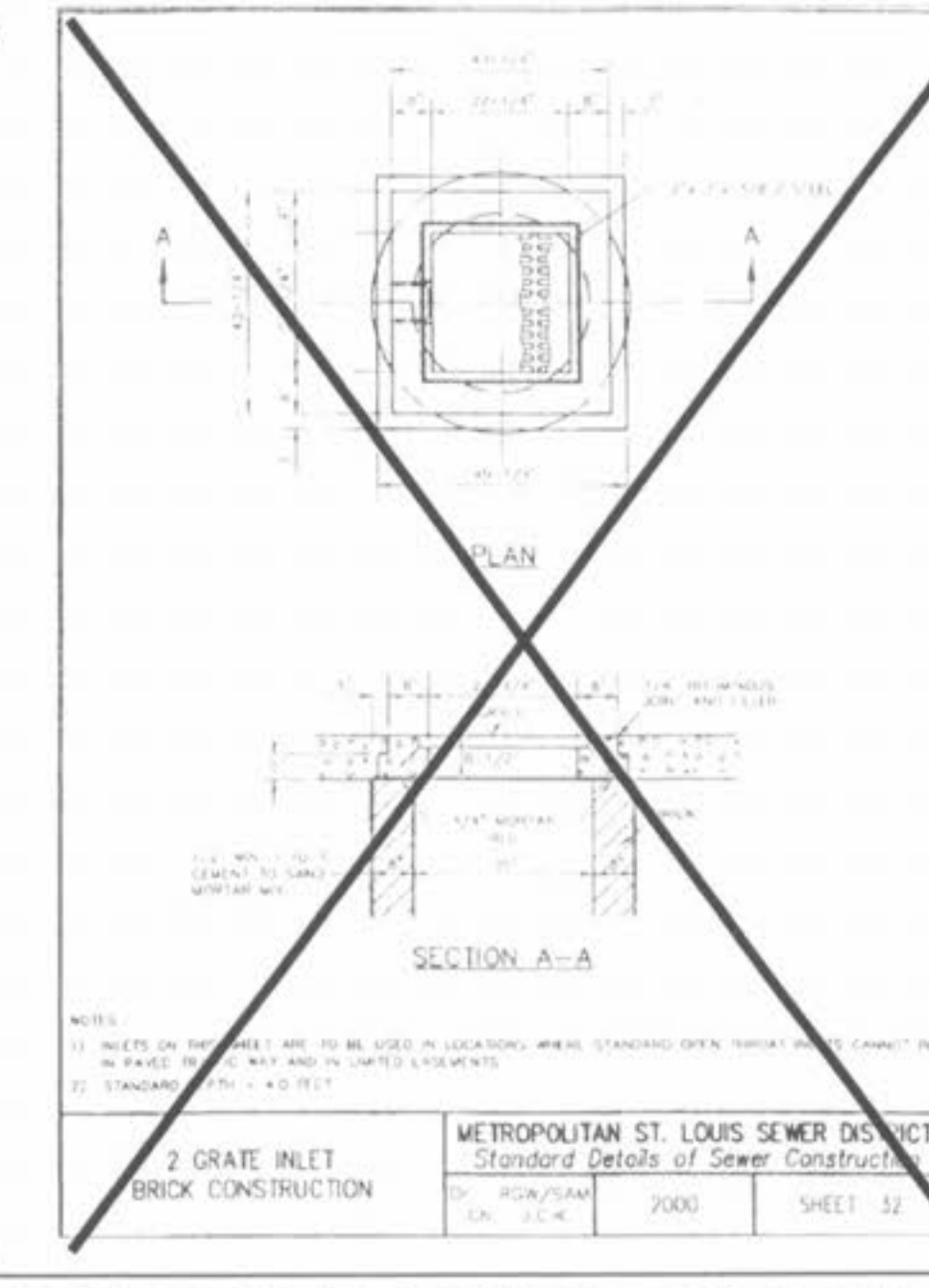
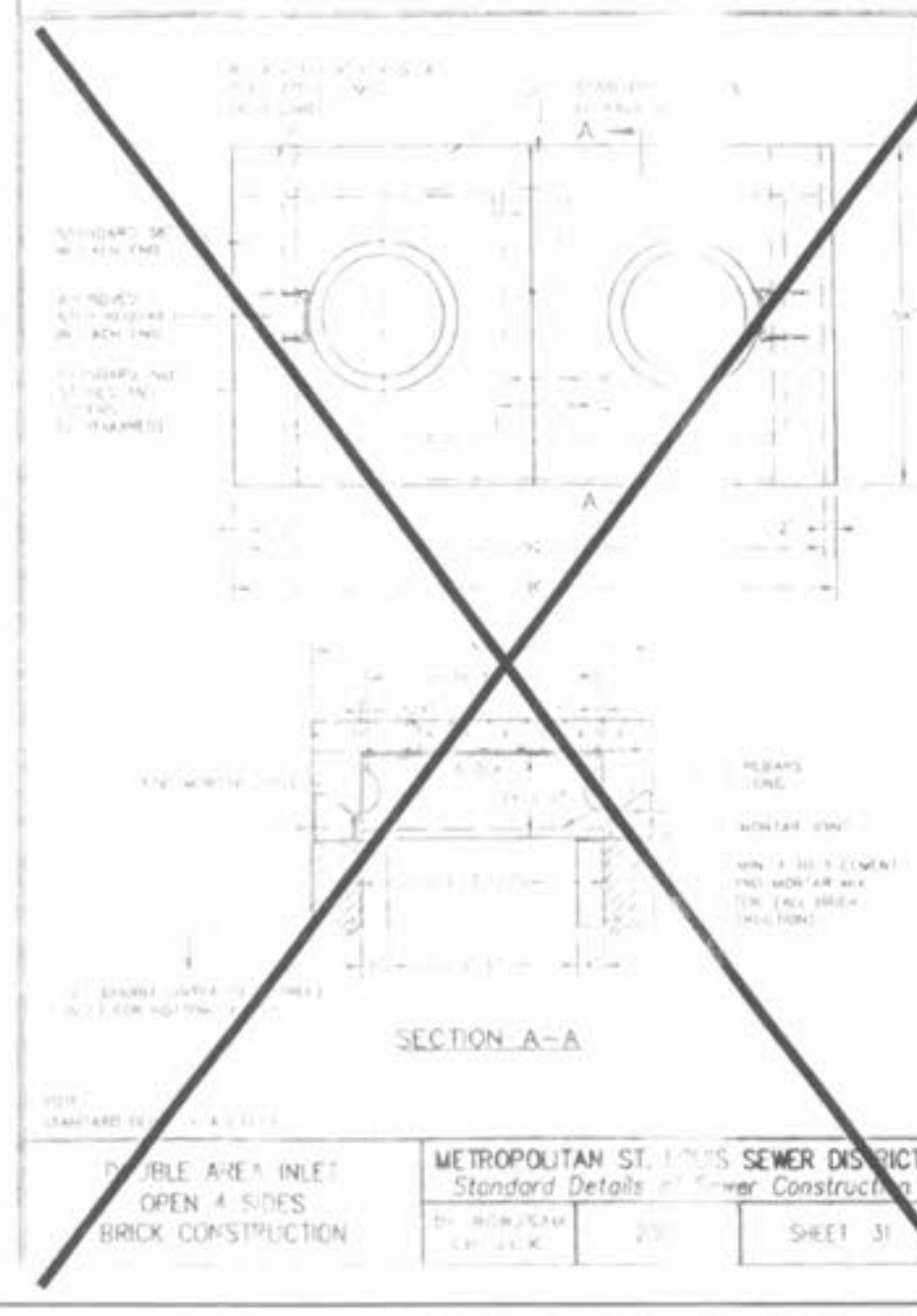
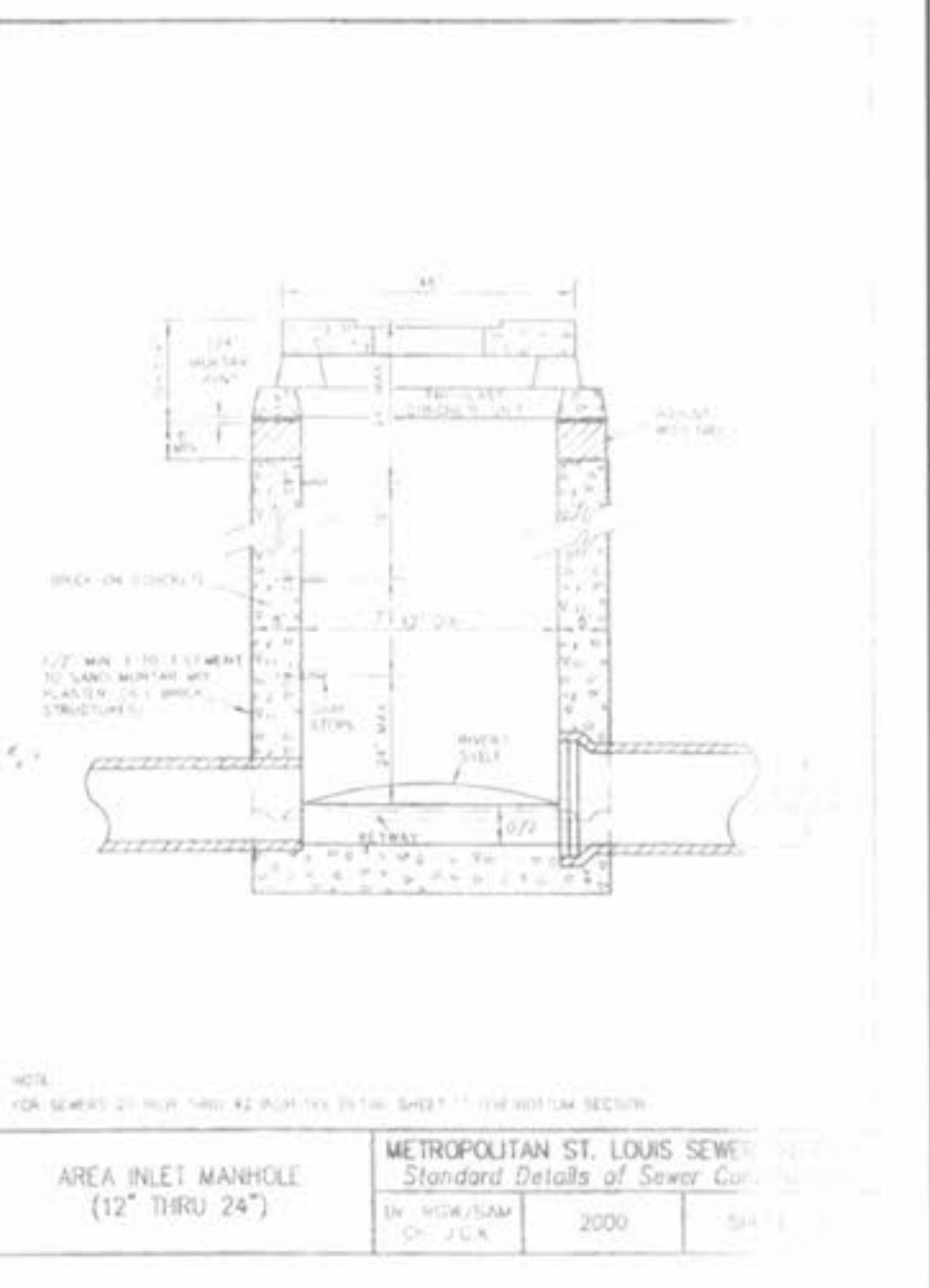
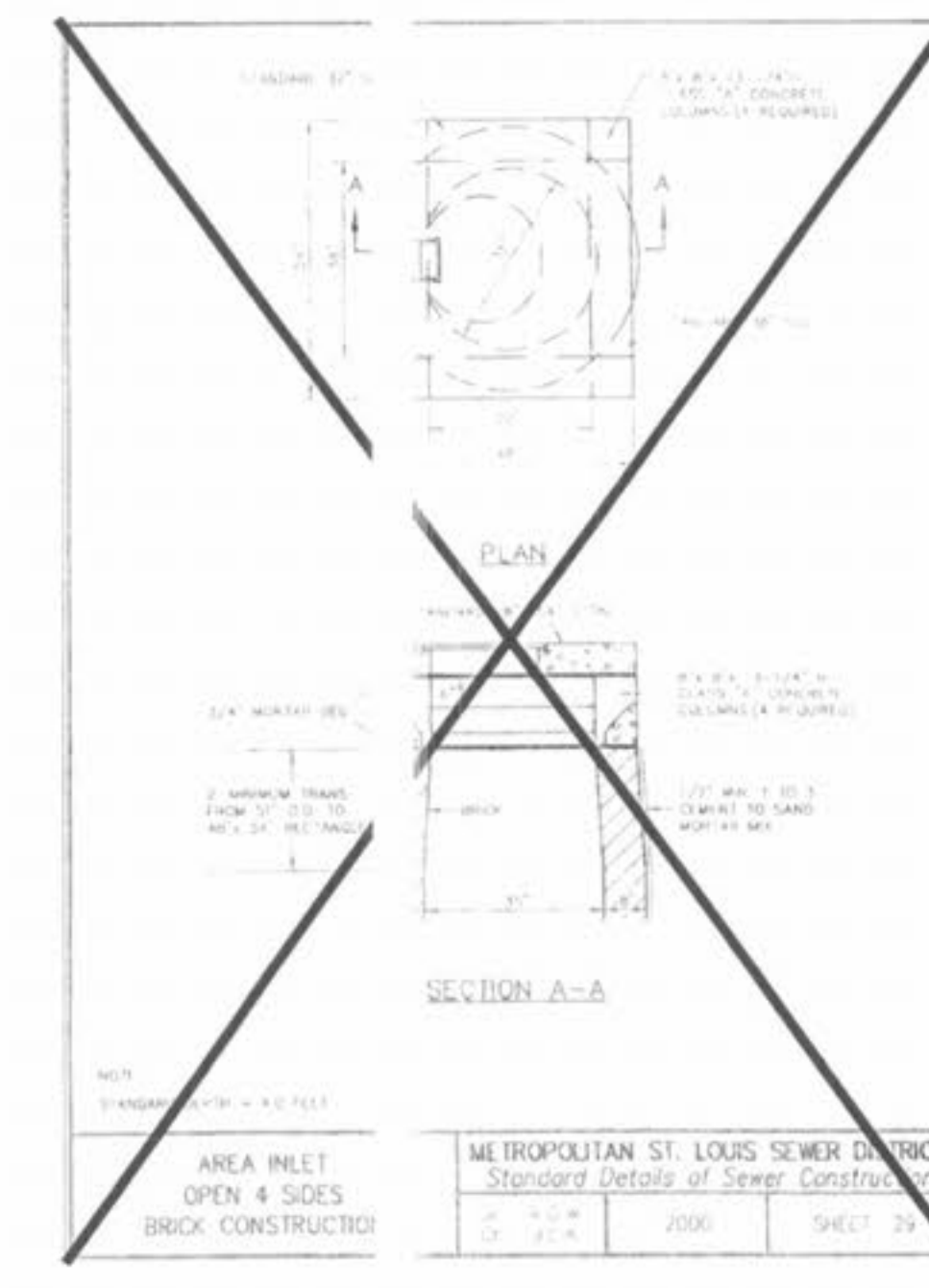
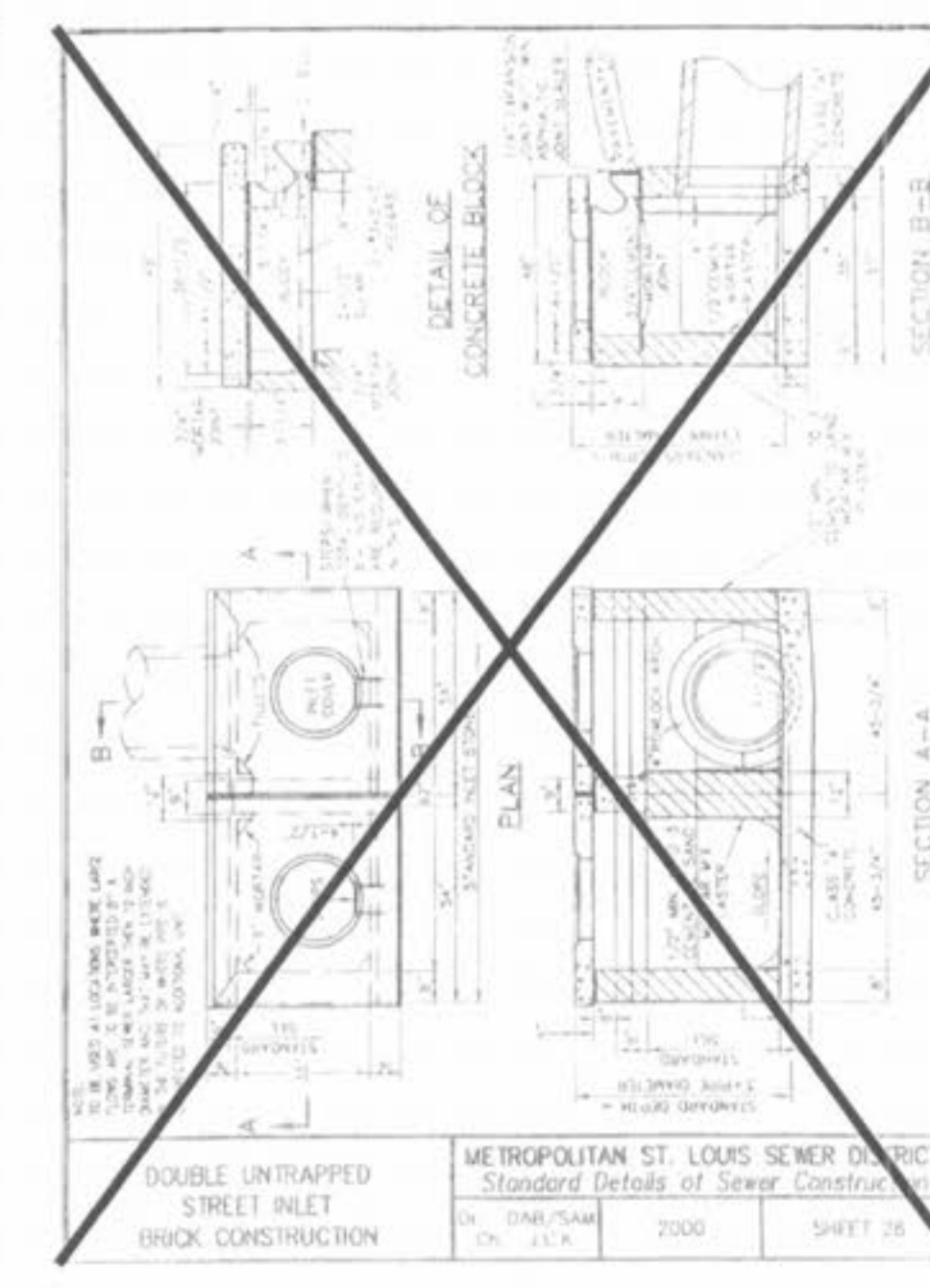
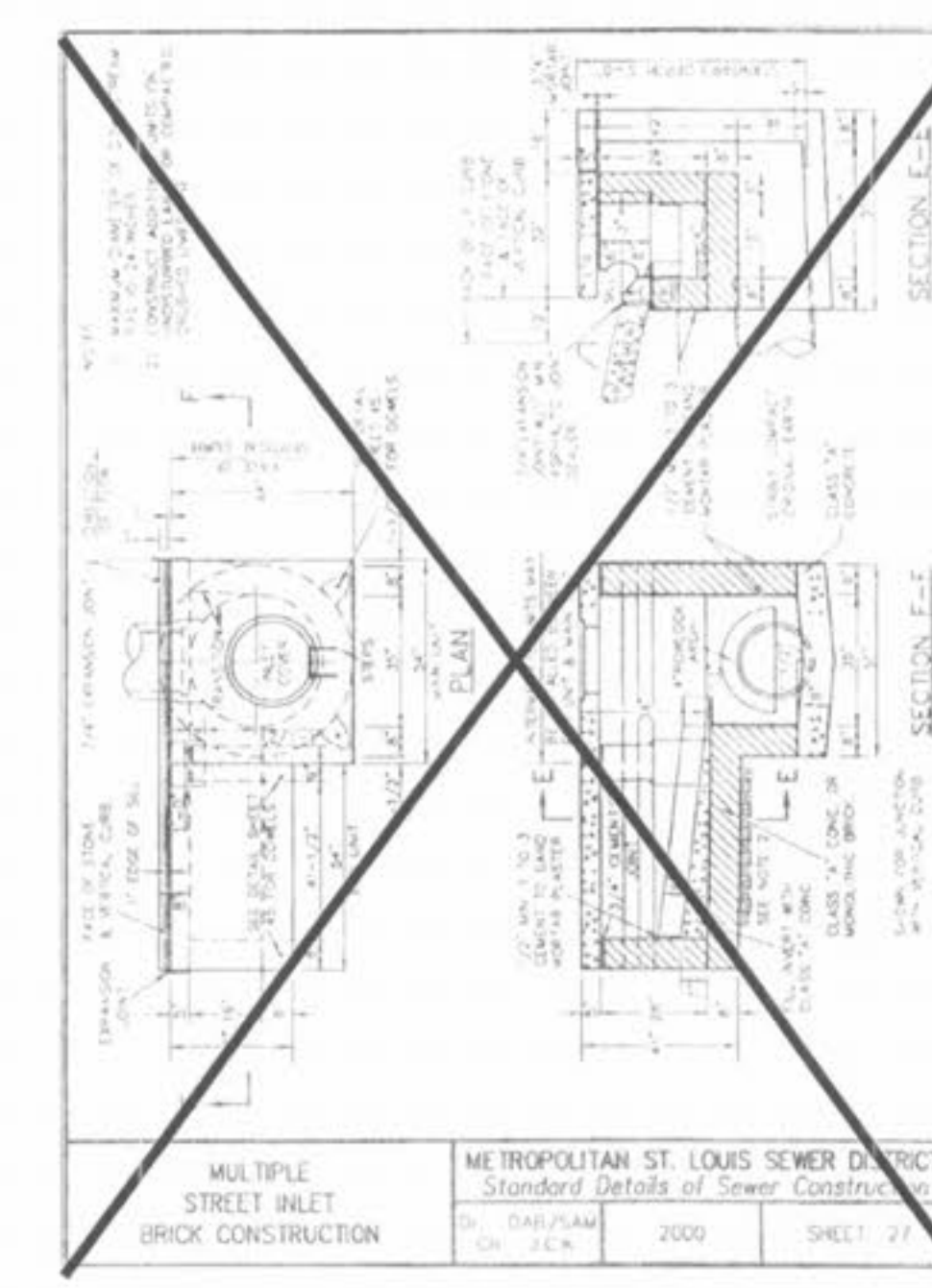
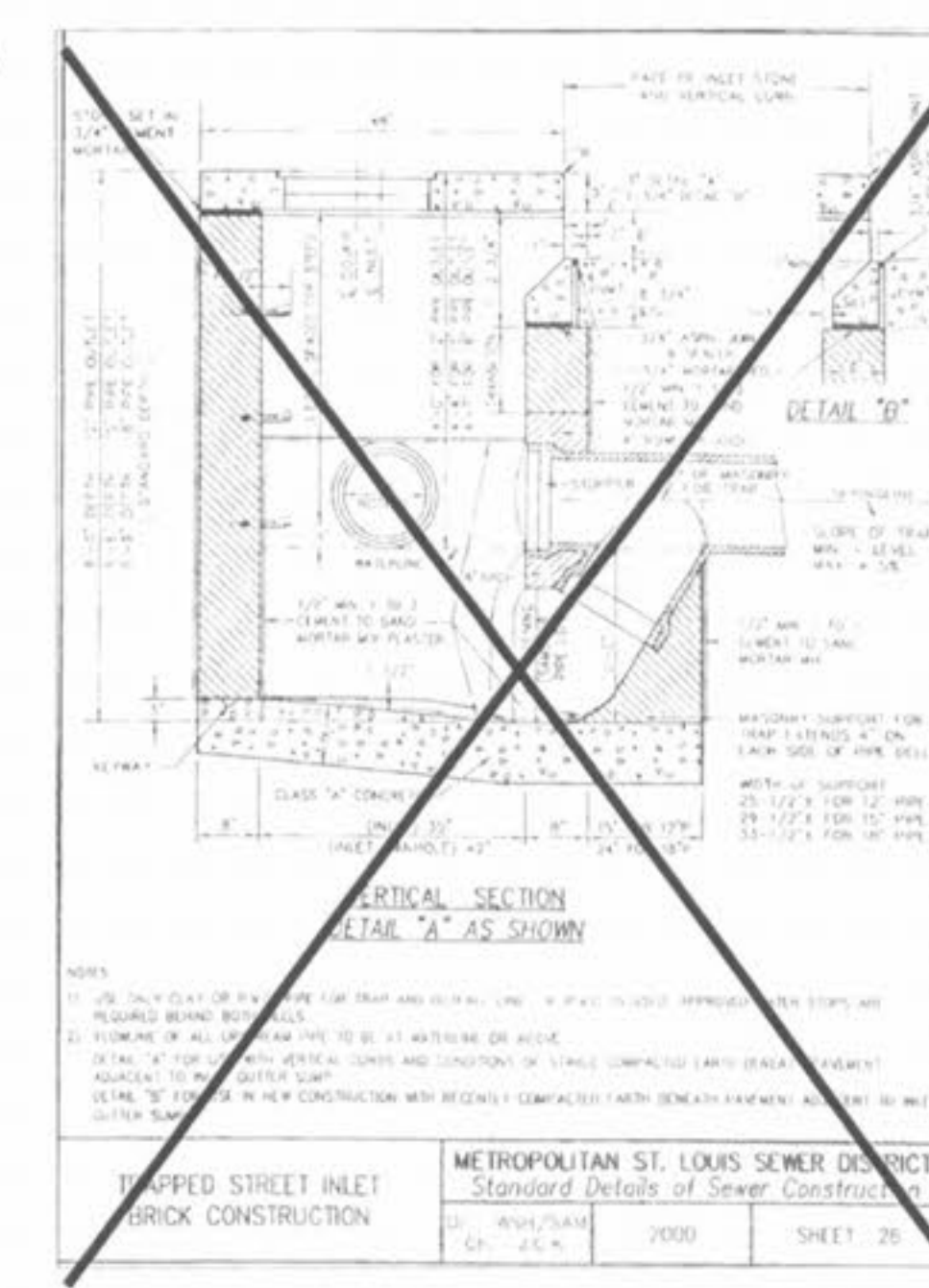
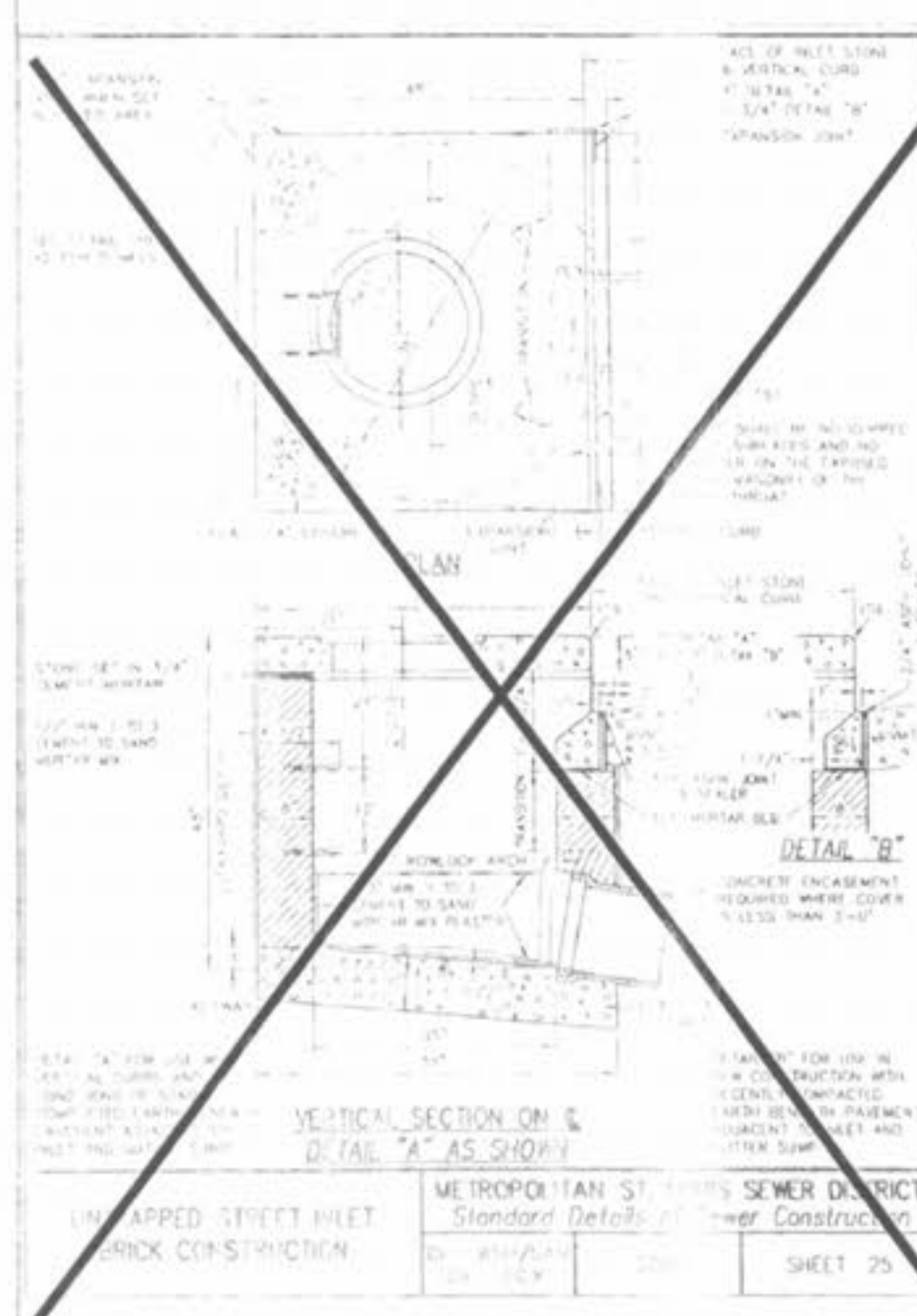
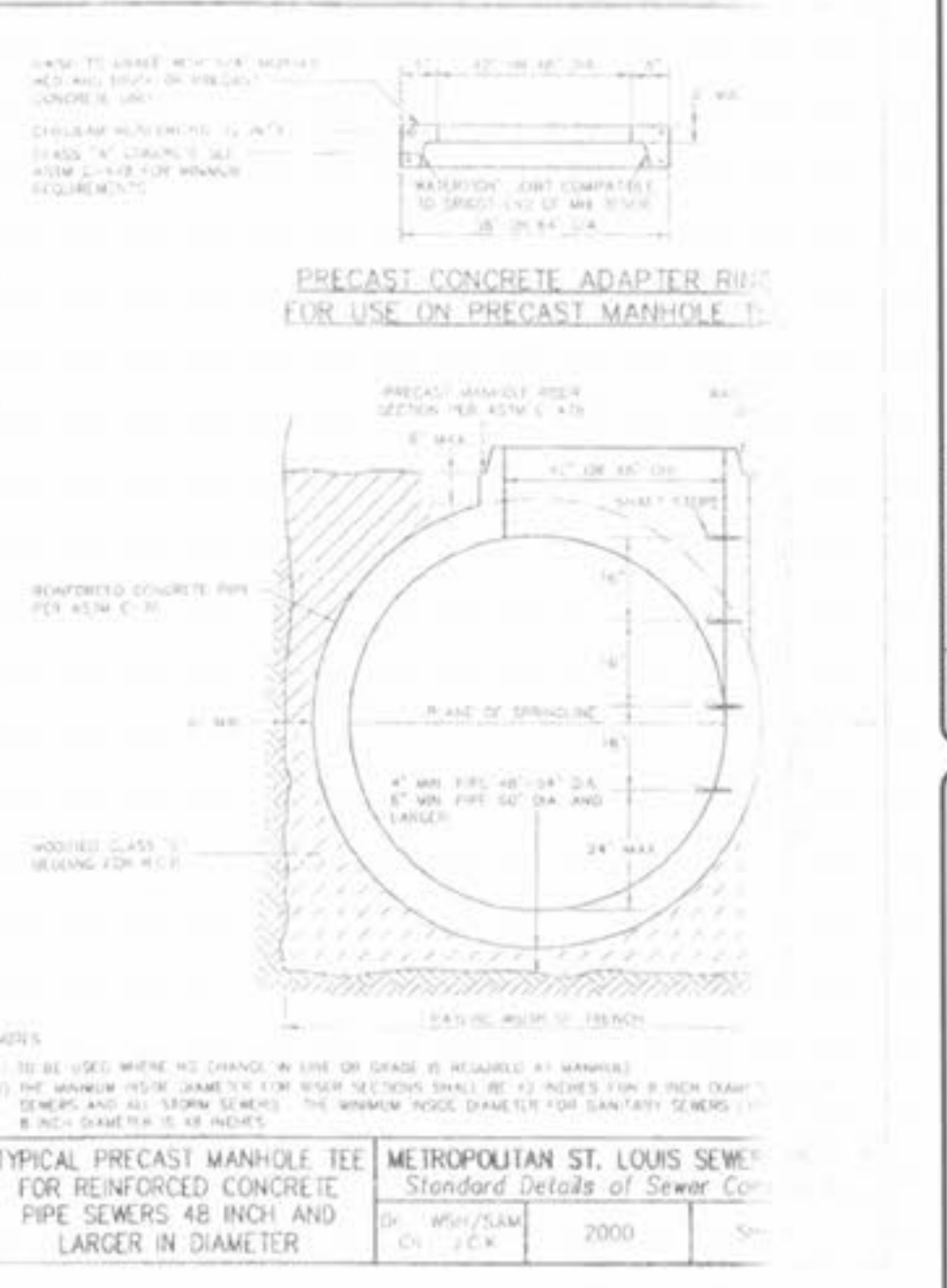
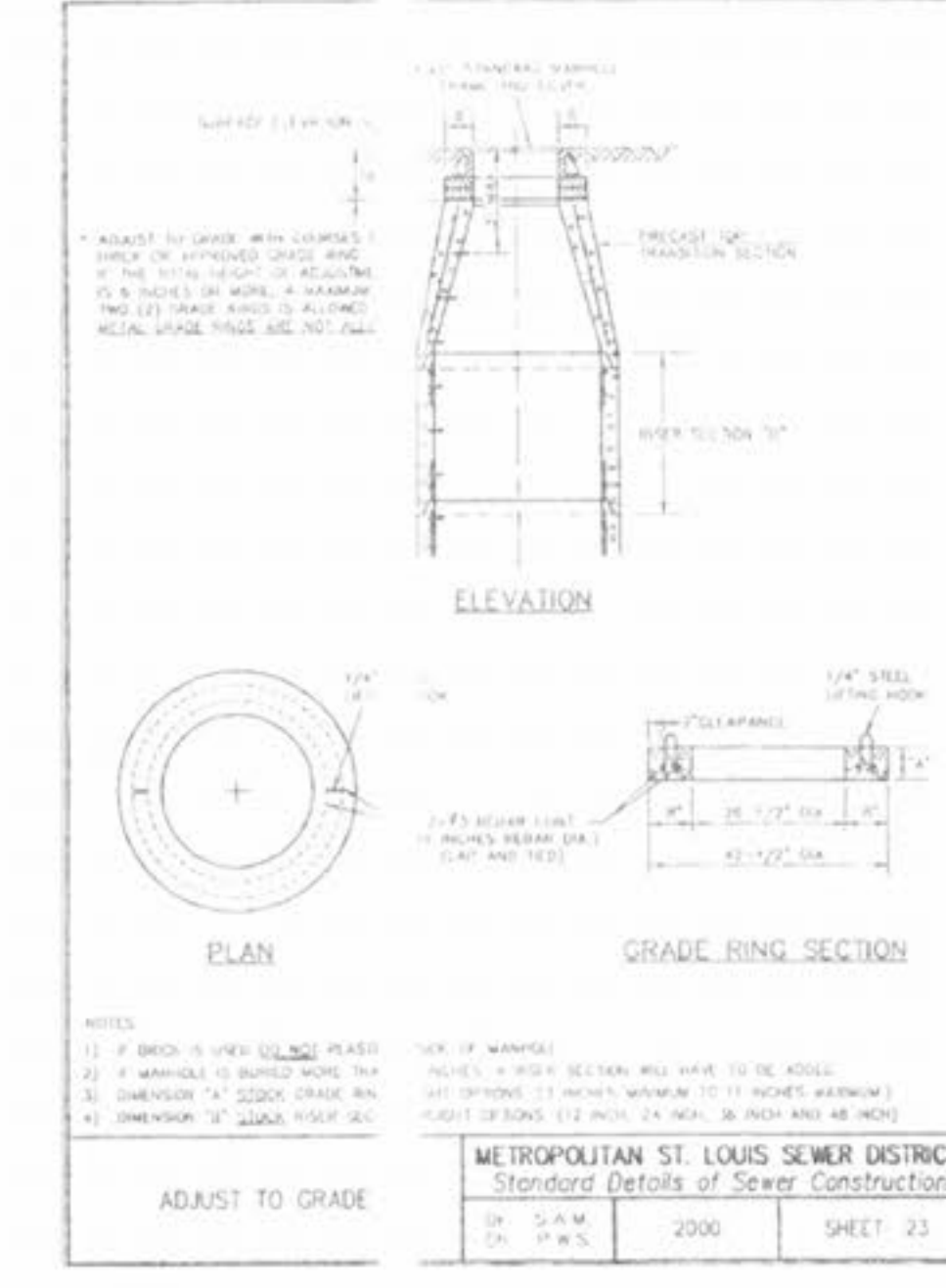
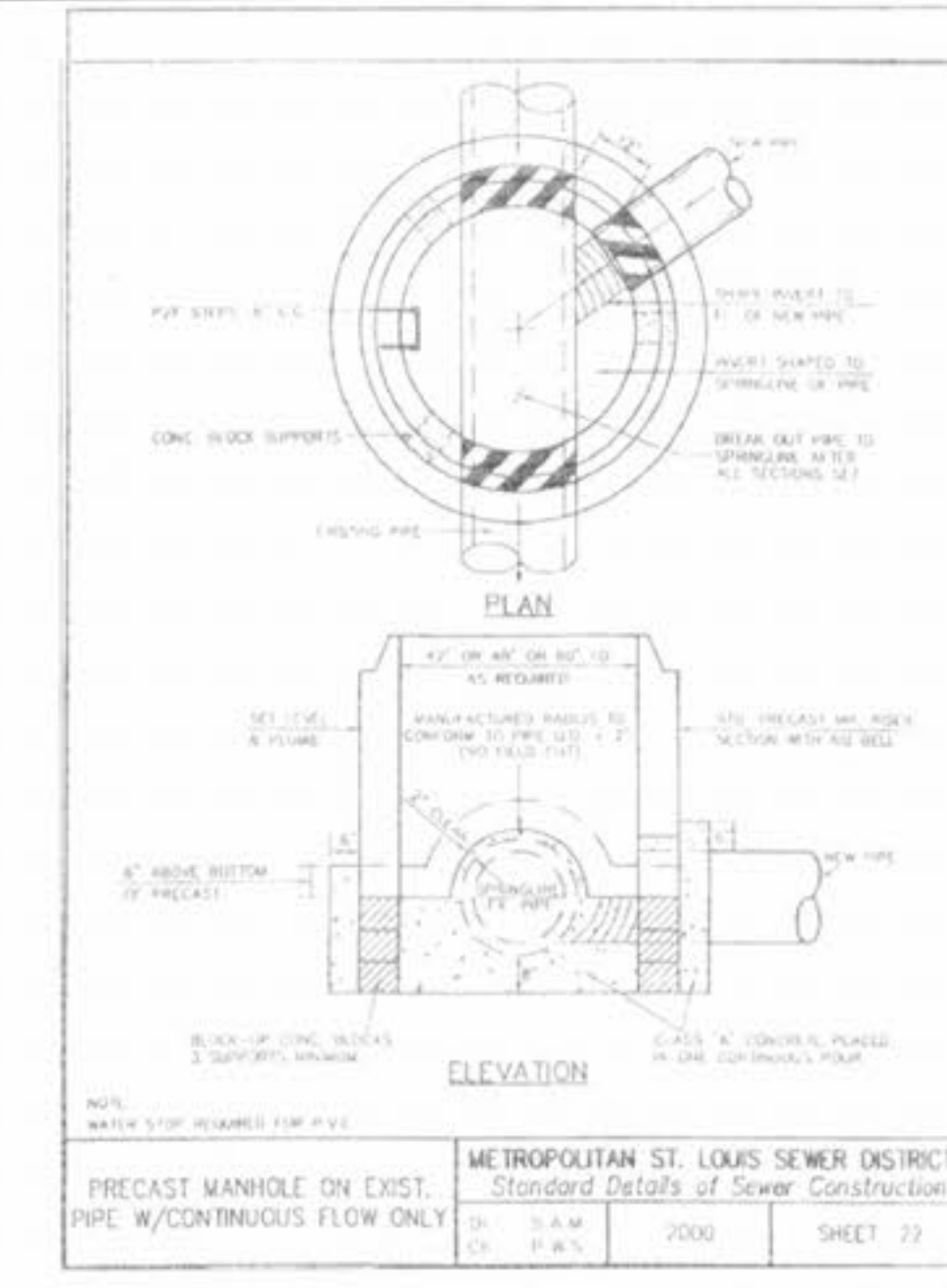
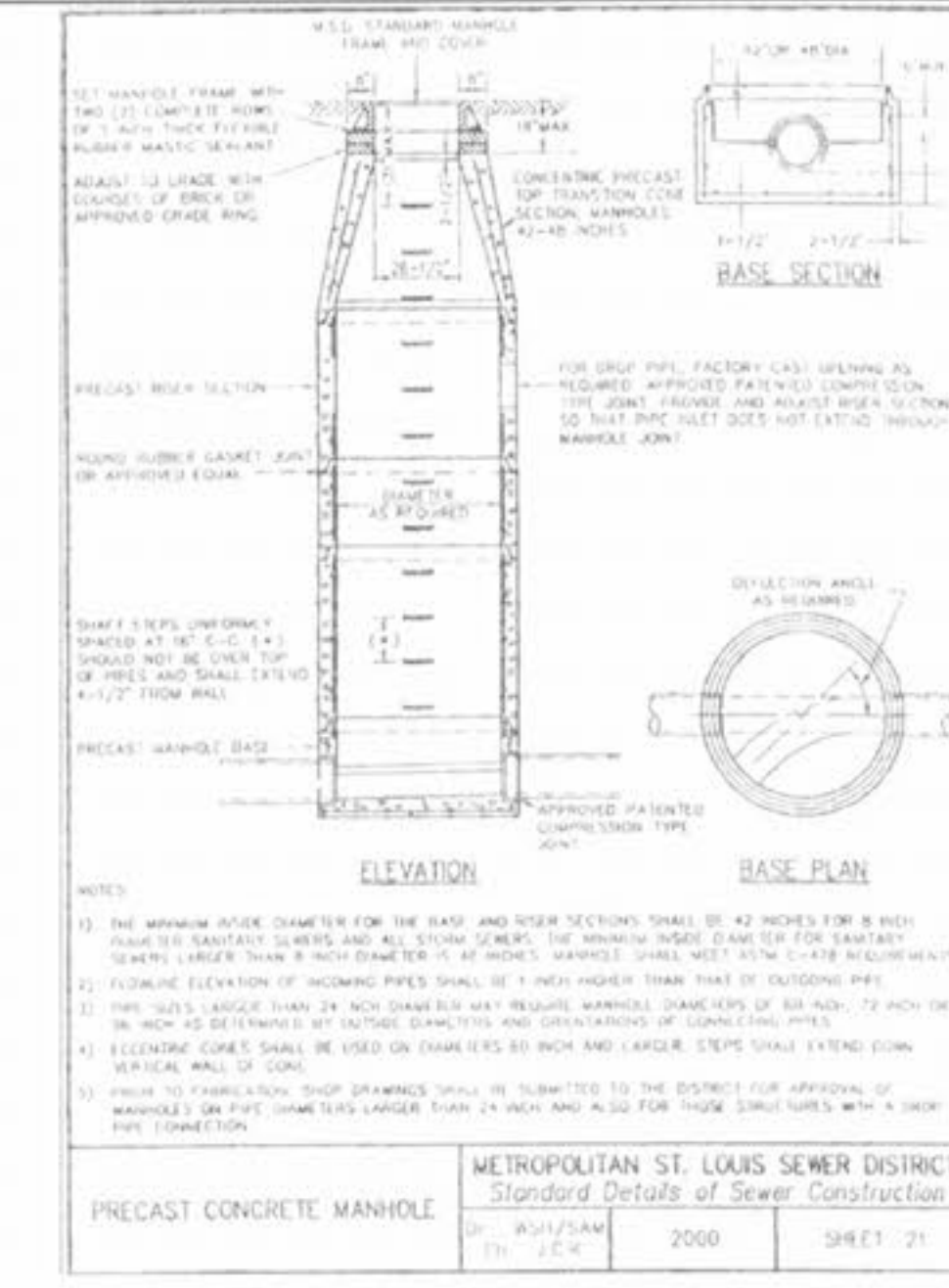
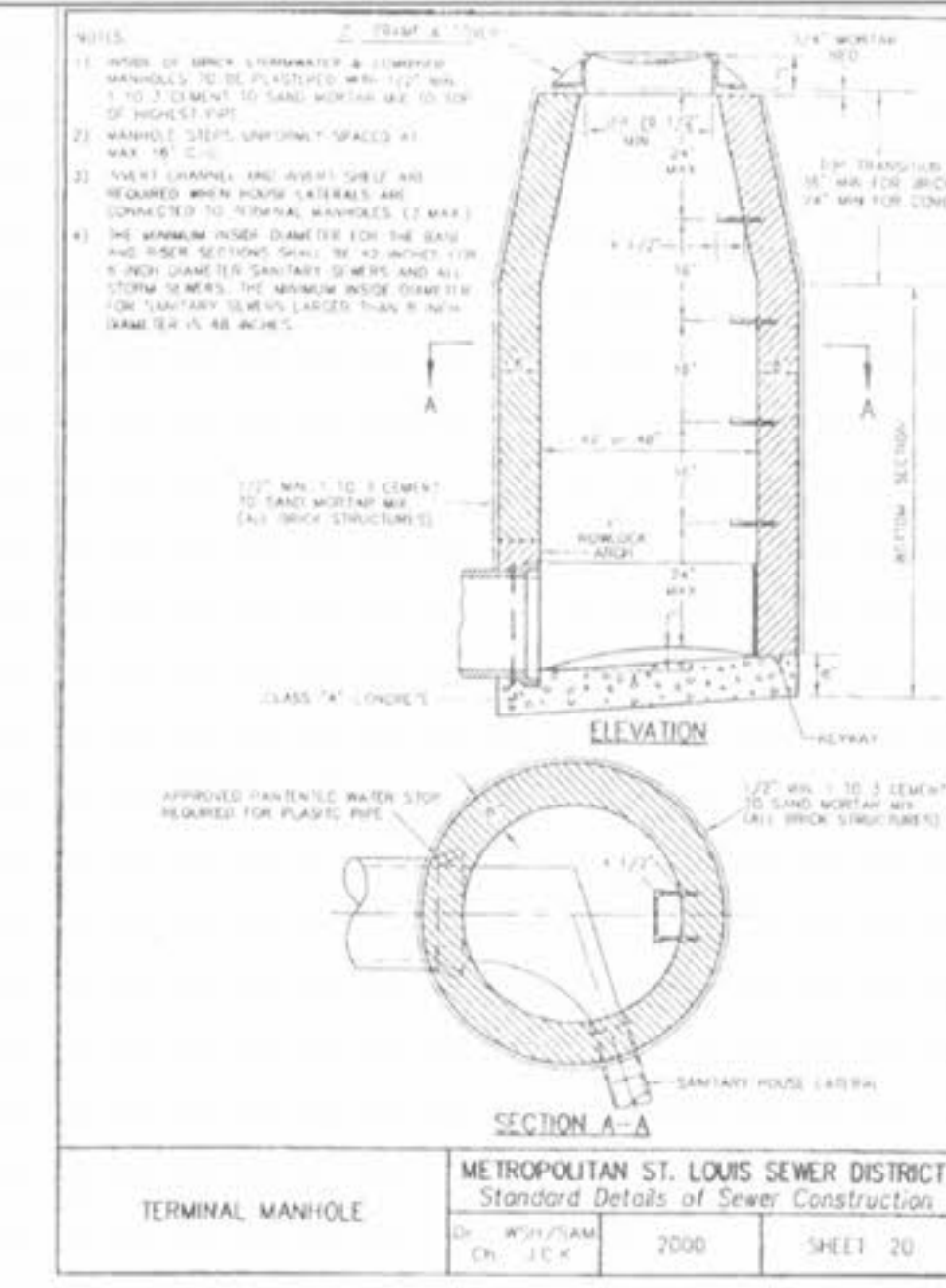
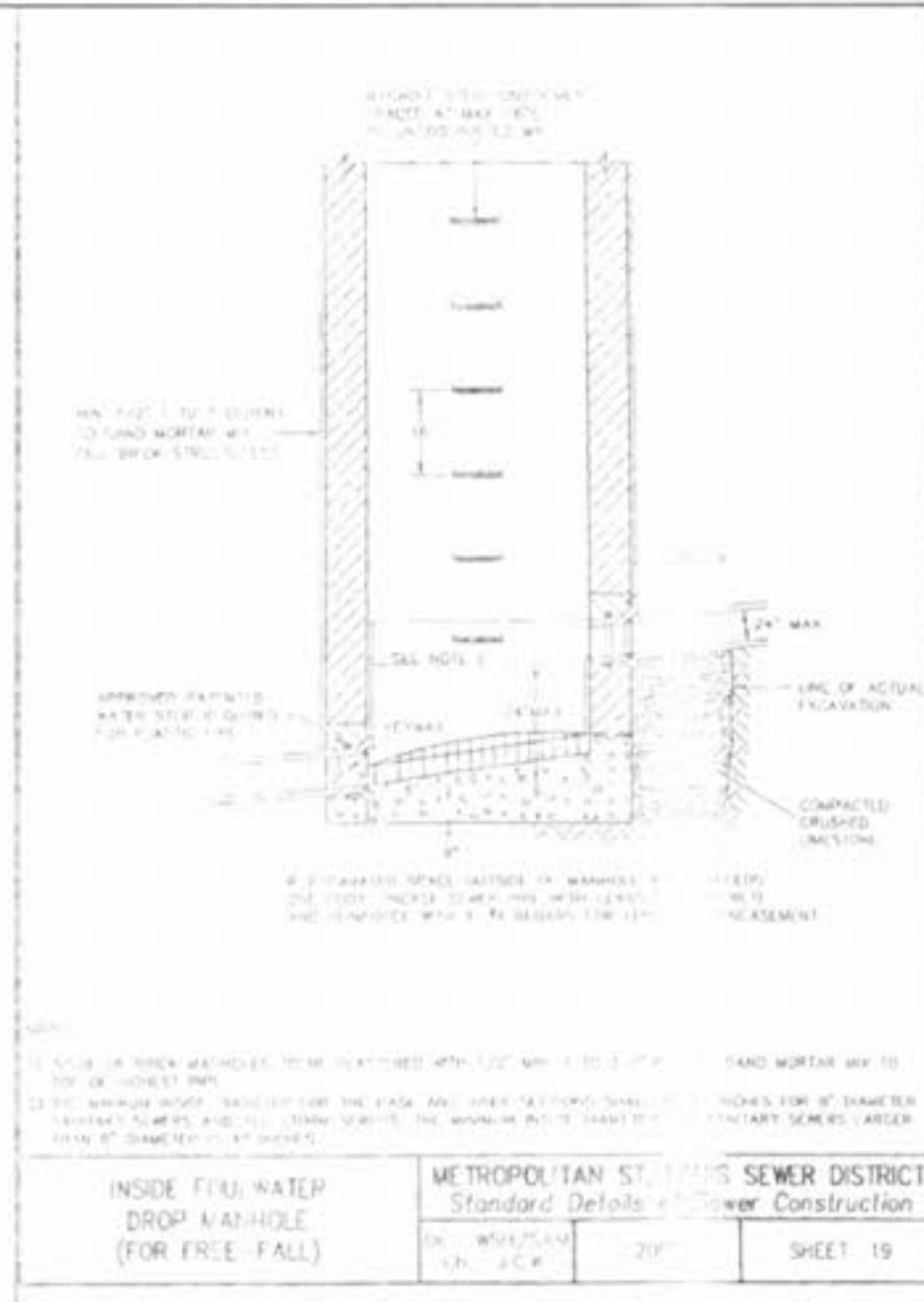


Drawing name: K:\0405084-FOX HAVEN ADDN\dwg\improvements\6147DETAILS.dwg Plotted on: Jan 06, 2006 4:05pm Plotted by: wtraoung



ISSUE REMARKS/DATE

1	REV PER DUCKETT CREEK SAN. DISTRICT 9-20-05
2	REV PER CITY AND WATER DISTRICT COMMENTS 9-28-05
3	REV PER DUCKETT CREEK SAN. DISTRICT 10-17-05
4	REV PER WATER DISTRICT NO. 2 11-14-05
5	REV PER CITY OF OTTAWAN, 12-02-05
6	REV PER CITY OF OTTAWAN, 1-8-2006

PREPARED FOR:

McBride & Son Homes Land Development, Inc.
#1 McBride & Son Center Drive
Chesterfield, Missouri 63005
(636) 537-2000



PREPARED BY:

THE STERLING CO.
ENGINEERS & SURVEYORS
5055 NEW BRIDGE MISSOURI 63120
(314) 487-0440 FAX 487-8944
E-Mail: Sterling@sterling-eng-sur.com

DRAWN: DESIGNED: CHECKED:

PROJECT: FOX HAVEN ADDITION

SHEET TITLE: MSD CONSTRUCTION DETAILS

NO	04	05	084
M.S.D. #			
P#			
DISTRICT FILE LOCATION			
CD4			

NOTE: NO BRICK OR CAST IN PLACE STORM SEWER STRUCTURES WILL BE ALLOWED UNLESS PIPE IS 48" OR GREATER, THEN CAST IN PLACE WILL BE ALLOWED ON A CASE BY CASE BASIS.

BASE MAP