

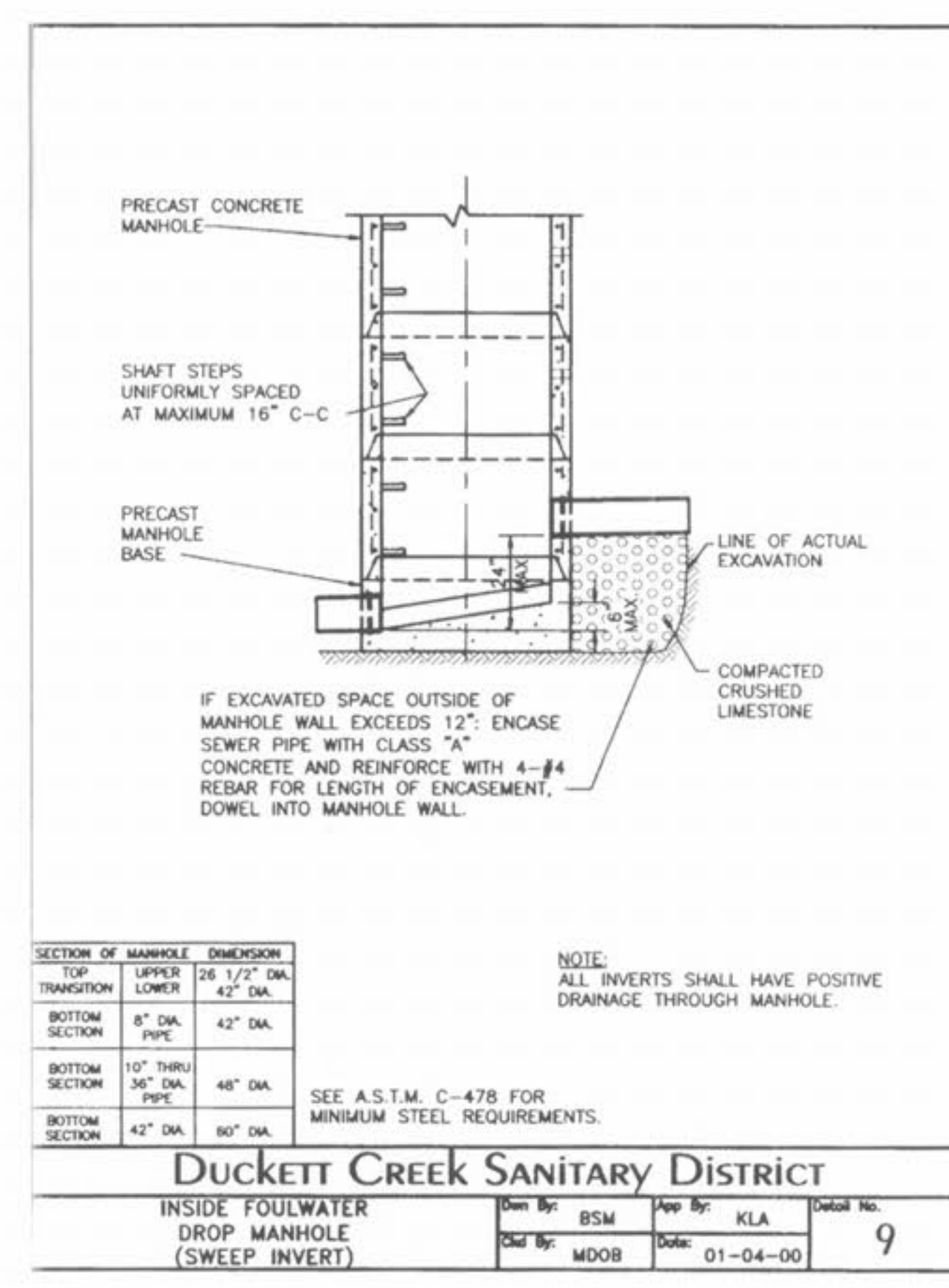
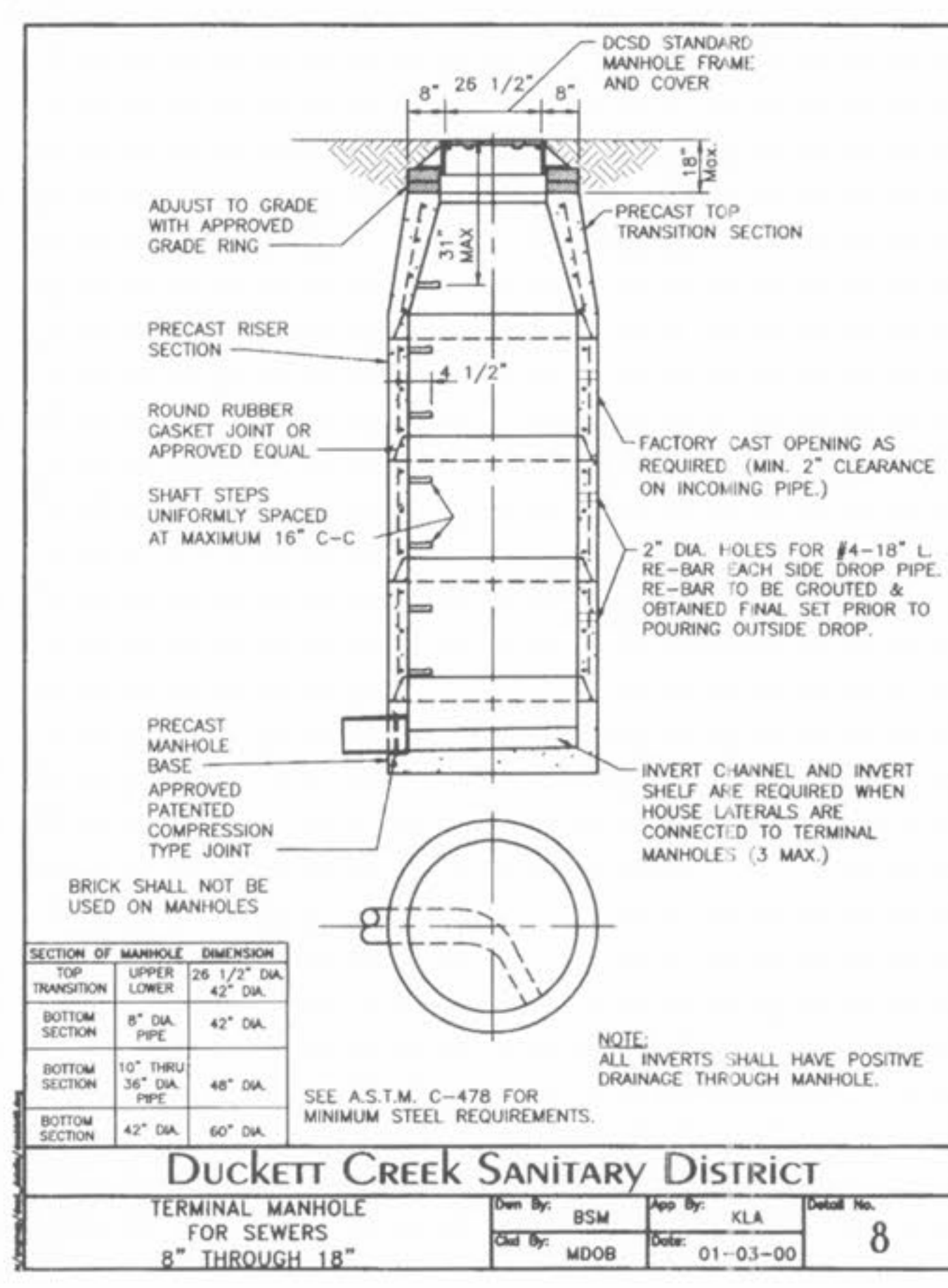
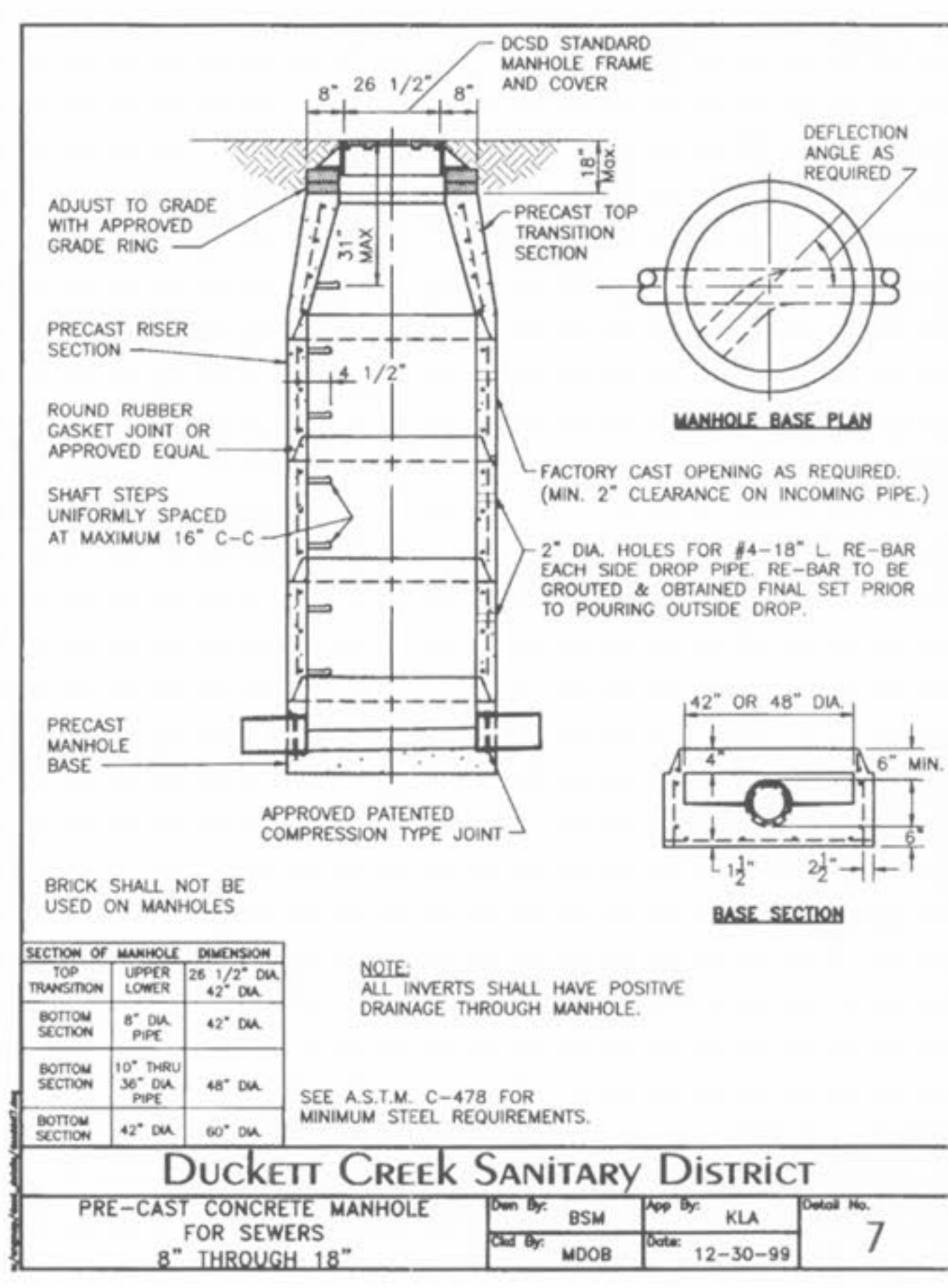
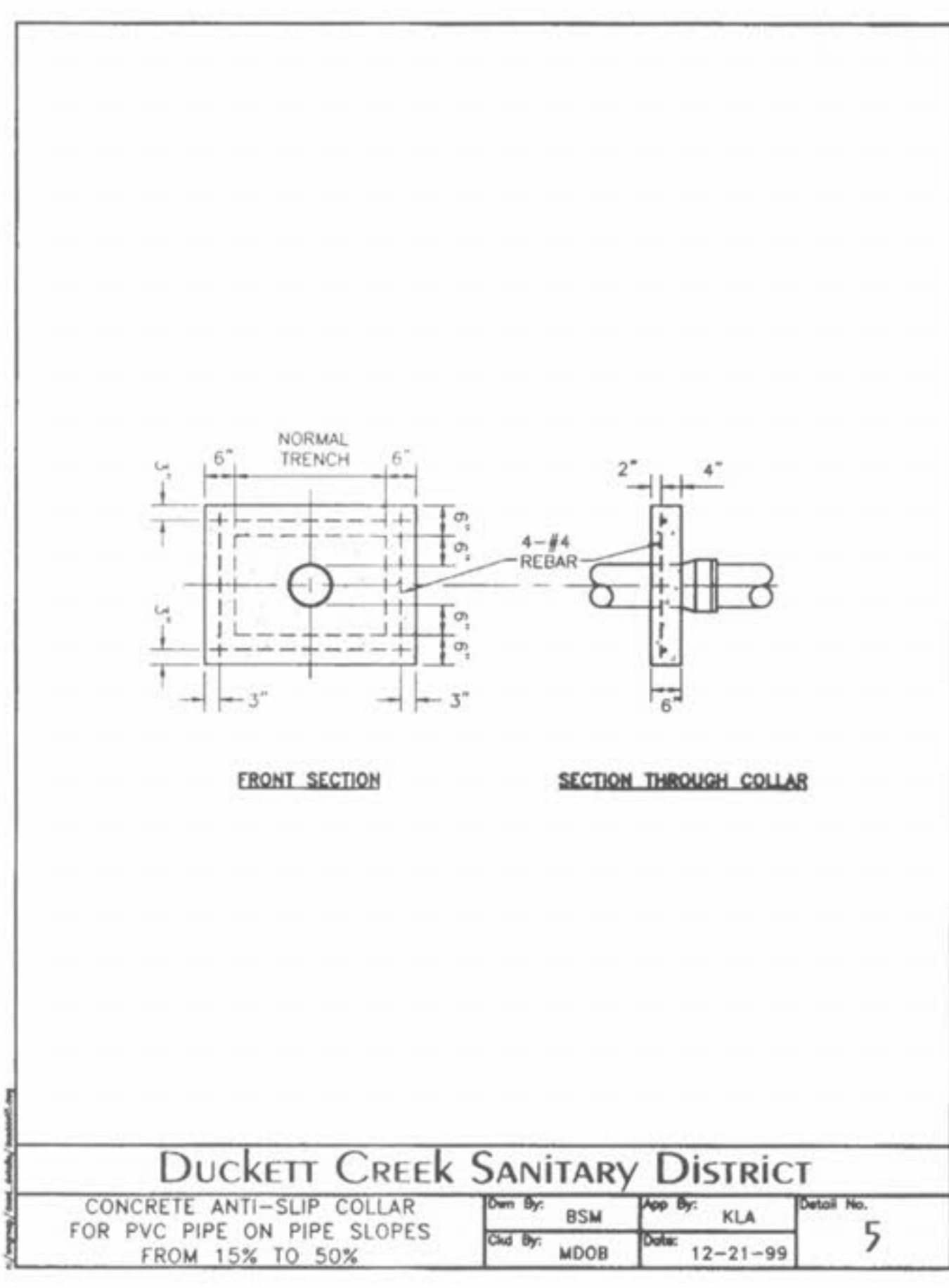
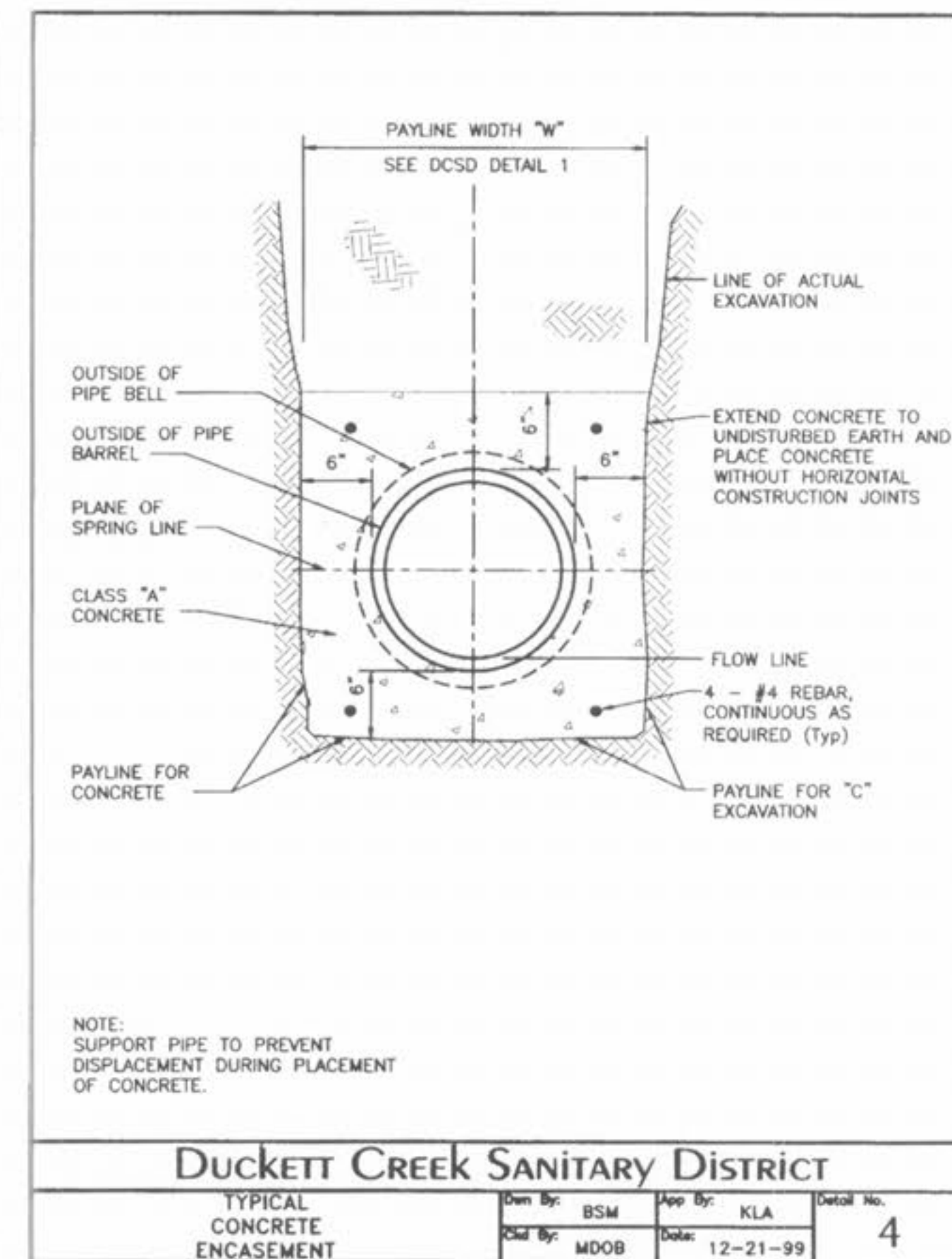
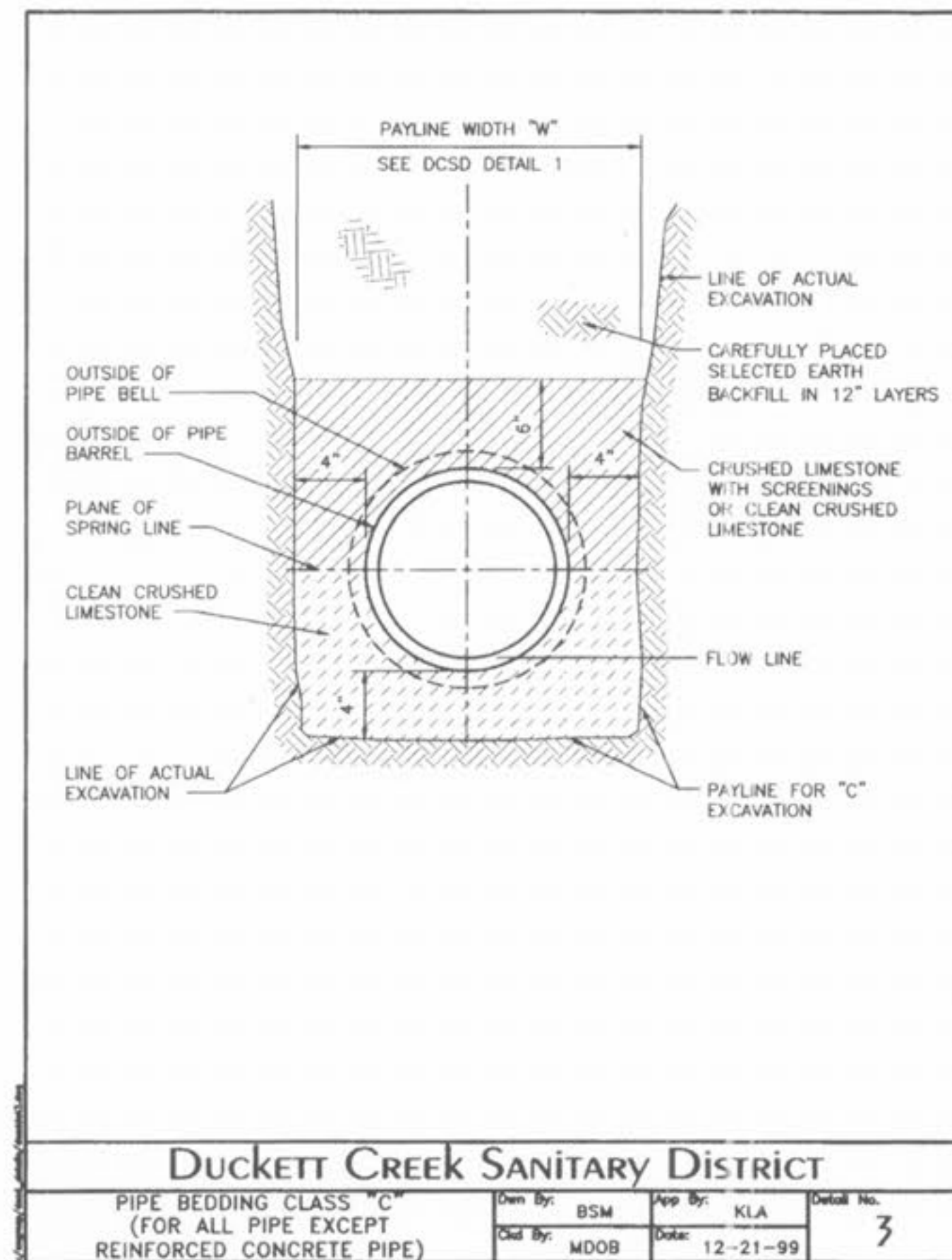
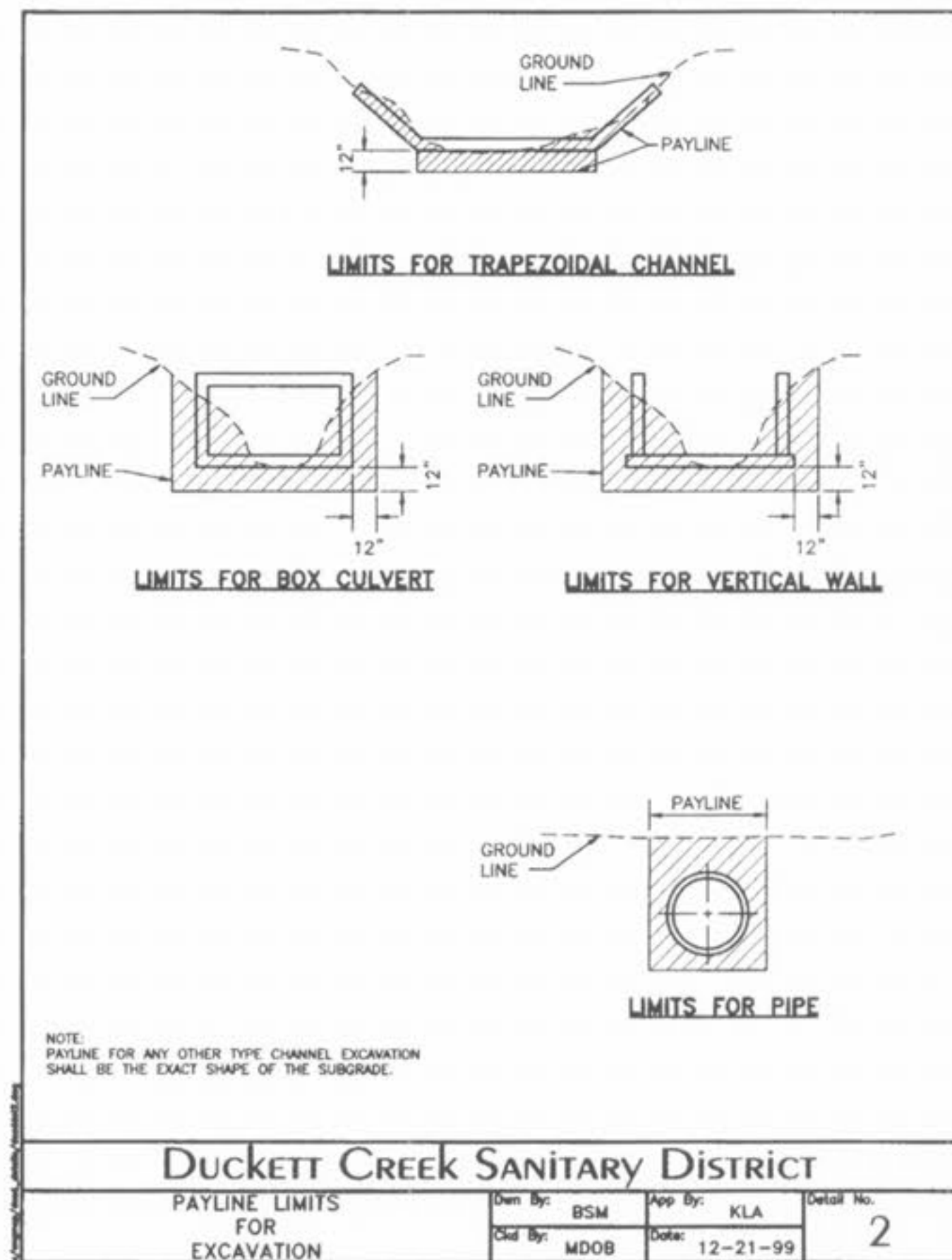
Drawing name: K:\0405084 FOX HAVEN ADDN\dwg\improvements\6147DETAILS.dwg Plotted on: Jan 06, 2006 -- 4:06pm Plotted by: wtraung

ROUND PIPE				HORIZONTAL ELLIPTICAL PIPE			
INSIDE DIAMETER OF PIPE (INCHES)	"W" PAYLINE WIDTH OF TRENCH (INCHES)	"W" PAYLINE WIDTH OF TRENCH (FEET)	PAY-VOLUMES CU. FT. PER FT. CONCRETE ENCASUREMENT	INSIDE DIAMETER OF PIPE (INCHES)	"W" PAYLINE WIDTH OF TRENCH (INCHES)	"W" PAYLINE WIDTH OF TRENCH (FEET)	PAY-VOLUMES CU. FT. PER FT. CONCRETE ENCASUREMENT
4	30	2.50	3.28				
6	30	2.50	3.59				
8	30	2.50	3.87				
10	30	2.50	4.09				
12	30	2.50	4.25				
15	36	3.00	5.55				
18	36	3.00	5.77				
21	39	3.25	6.61				
24	42	3.50	7.39				
27	45	3.75	8.18				
30	49	4.08	9.30				
33	53	4.42	10.53				
36	56	4.67	11.43				
39							
DISCONTINUED							
42	63	5.25	13.38	14 x 23	41	3.42	5.94
48	70	5.83	15.67	19 x 30	49	4.08	7.68
54	77	6.42	18.15	22 x 34	53	4.42	8.61
60	84	7.00	20.73	24 x 38	58	4.83	9.70
66	91	7.58	23.45	27 x 42	62	5.17	10.71
72	98	8.17	26.37	29 x 45	66	5.50	11.72
78	105	8.75	29.39	32 x 49	71	5.92	13.14
84	112	9.33	32.57	34 x 53	75	6.25	14.05
90	119	9.92	35.90	38 x 60	83	6.92	16.18
96	126	10.50	39.37	43 x 68	92	7.67	18.81
102	133	11.08	42.99	48 x 76	101	8.42	21.59
108	140	11.67	46.75	53 x 83	109	9.08	24.35
114	147	12.25	50.66	58 x 91	118	9.83	27.45
120	154	12.83	54.72	63 x 98	126	10.50	30.50
126	161	13.42	58.92	68 x 106	135	11.25	33.91
132	168	14.00	63.27	72 x 113	143	11.92	36.99
144	182	15.17	72.40	77 x 121	152	12.67	40.69
				82 x 128	160	13.33	44.45
				87 x 136	168	14.00	47.79
				92 x 143	176	14.67	51.70
				97 x 151	185	15.42	56.01
				106 x 166	202	16.83	64.48
				116 x 180	218	18.17	73.59

Duckett Creek Sanitary District

PAYLINE WIDTHS OF TRENCH AND PAY-QUANTITIES OF CONCRETE

Des. By: BSM	App. By: KLA	Detail No. 1
Chd. By: MDOB	Date: 12-21-99	



ISSUE	REMARKS/DATE
1	REV PER DUCKETT CREEK SAN. DISTRICT 9-20-05
2	REV PER CITY AND WATER DISTRICT COMMENTS 9-28-05
3	REV PER DUCKETT CREEK SAN. DISTRICT 10-17-05
4	REV PER WATER DISTRICT NO. 2 11-14-05
5	REV PER CITY OF FALLON, 12-02-05
6	REV PER CITY OF FALLON, 1-9-2006

PREPARED FOR:
McBride & Son Homes Land Development, Inc.
 #1 McBride & Son Center Drive
 Chesterfield, Missouri 63005
 (636) 637-2000

THE **STERLING** CO.
 ENGINEERS & SURVEYORS
 5985 NEW BALMSGARTNER ROAD
 ST. LOUIS, MISSOURI 63129
 (314) 487-0440 FAX 487-8944
 E-Mail: Sterling@sterling-eng-sur.com

PROJECT: **FOX HAVEN ADDITION**
 SHEET TITLE: **DCSD CONSTRUCTION DETAILS**

NO. 04 05 084	SHEET
M.S.D.	CD7
P#	
DIGITAL FILE LOCATION: SEWER-STERLING-2	
11/17/07.dwg	

BASE MAP