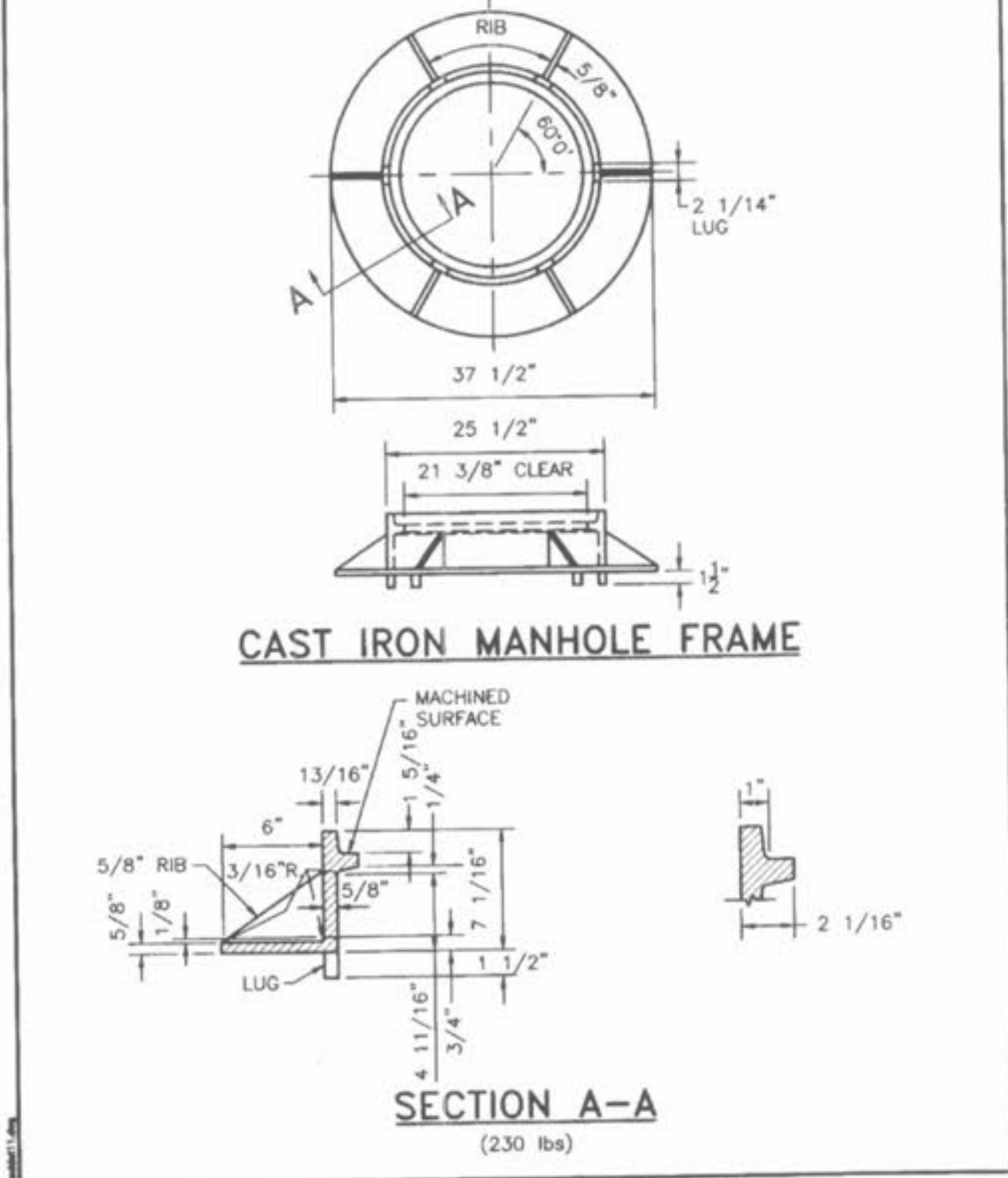
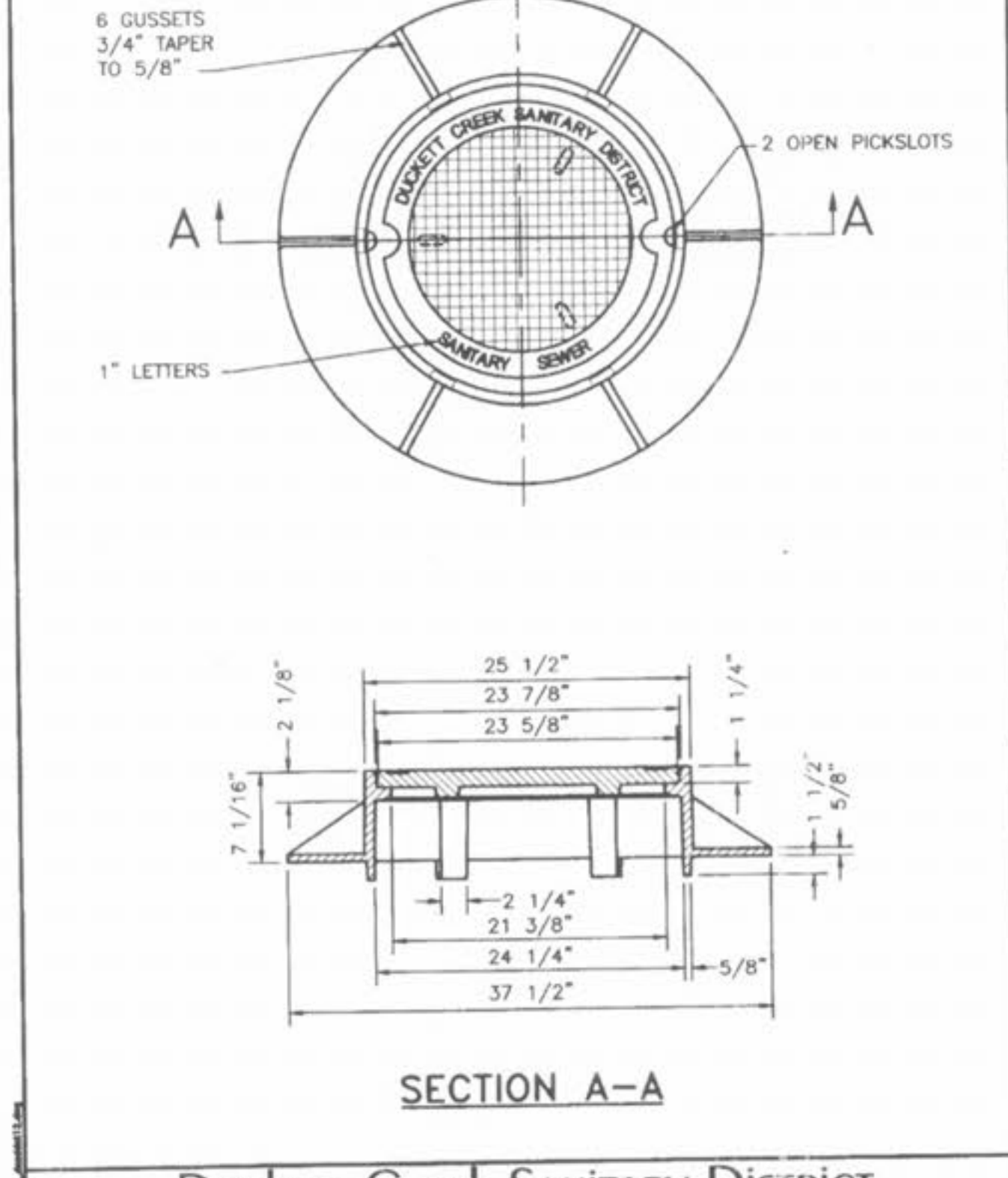


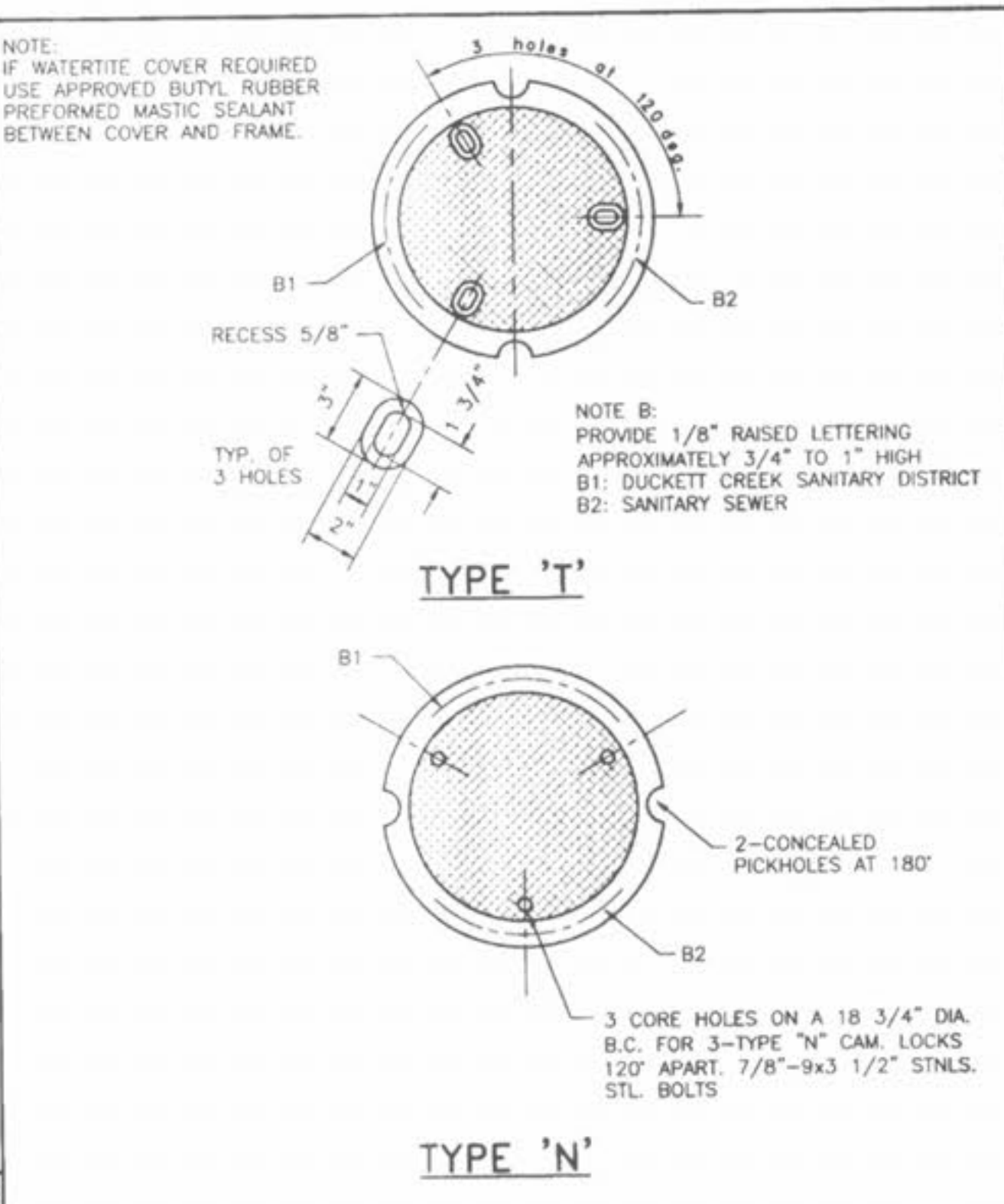
Duckett Creek Sanitary District			
INSIDE DROP MANHOLE	Des. By: BSM	App. By: KLA	Detail No. 10
	Chg. By: MDOB	Date: 01-10-00	



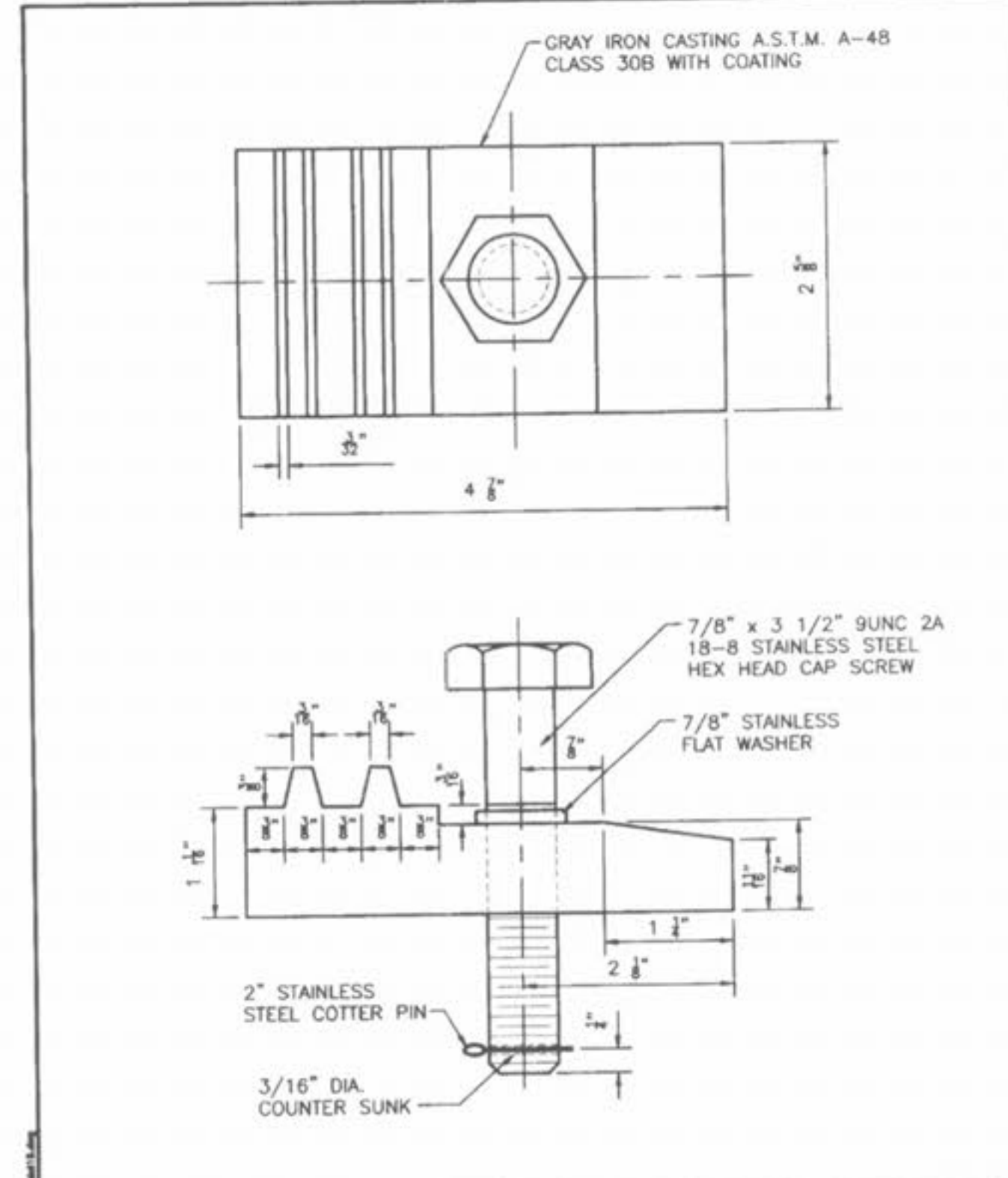
Duckett Creek Sanitary District			
CAST IRON MANHOLE FRAME	Des. By: BSM	App. By: KLA	Detail No. 11
	Chg. By: MDOB	Date: 01-14-00	



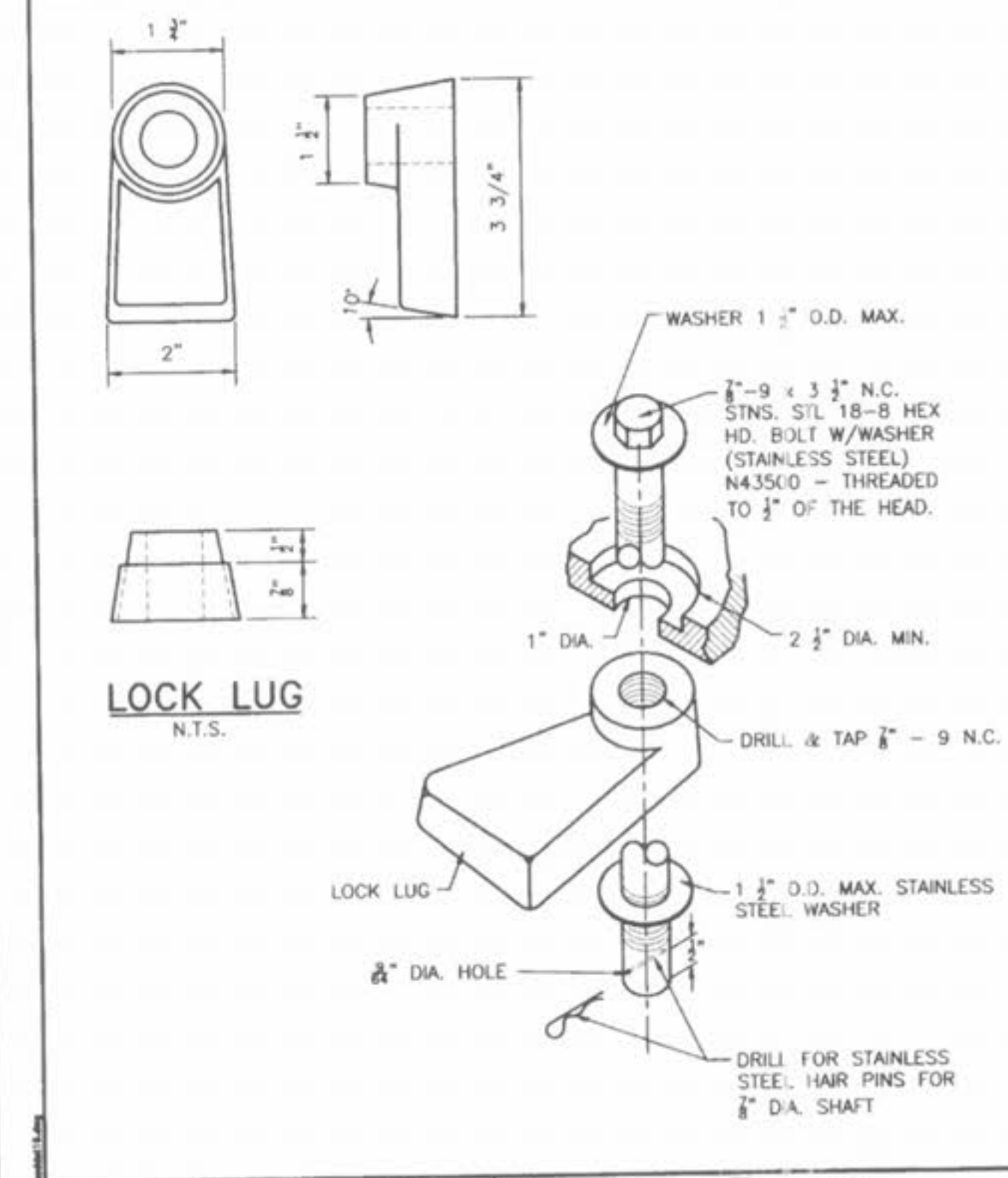
Duckett Creek Sanitary District			
MANHOLE FRAME AND COVER	Des. By: BSM	App. By: KLA	Detail No. 12
	Chg. By: MDOB	Date: 01-14-00	



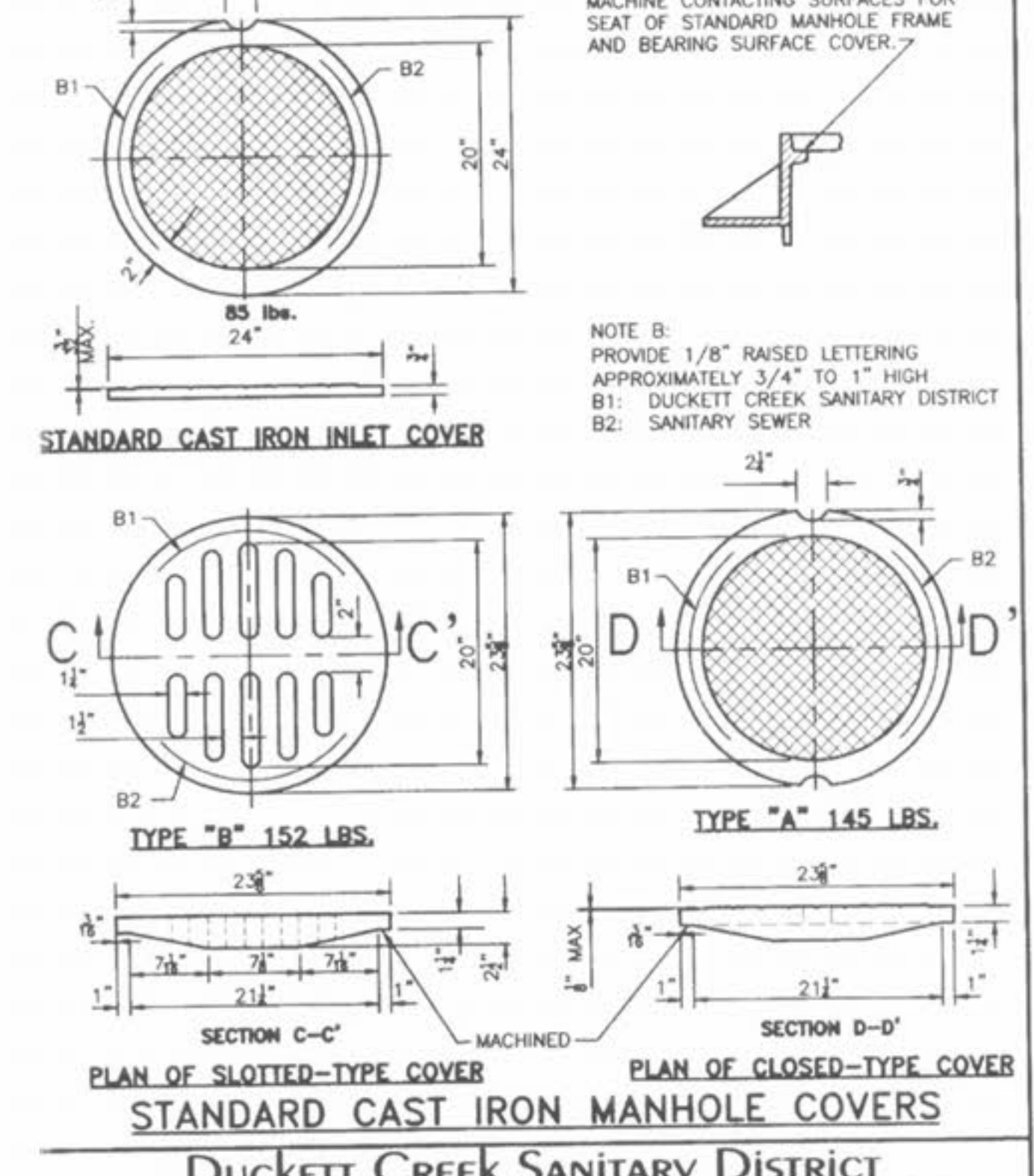
Duckett Creek Sanitary District			
CAST IRON MANHOLE COVERS (LOCK TYPE)	Des. By: BSM	App. By: KLA	Detail No. 14
	Chg. By: MDOB	Date: 12-27-00	



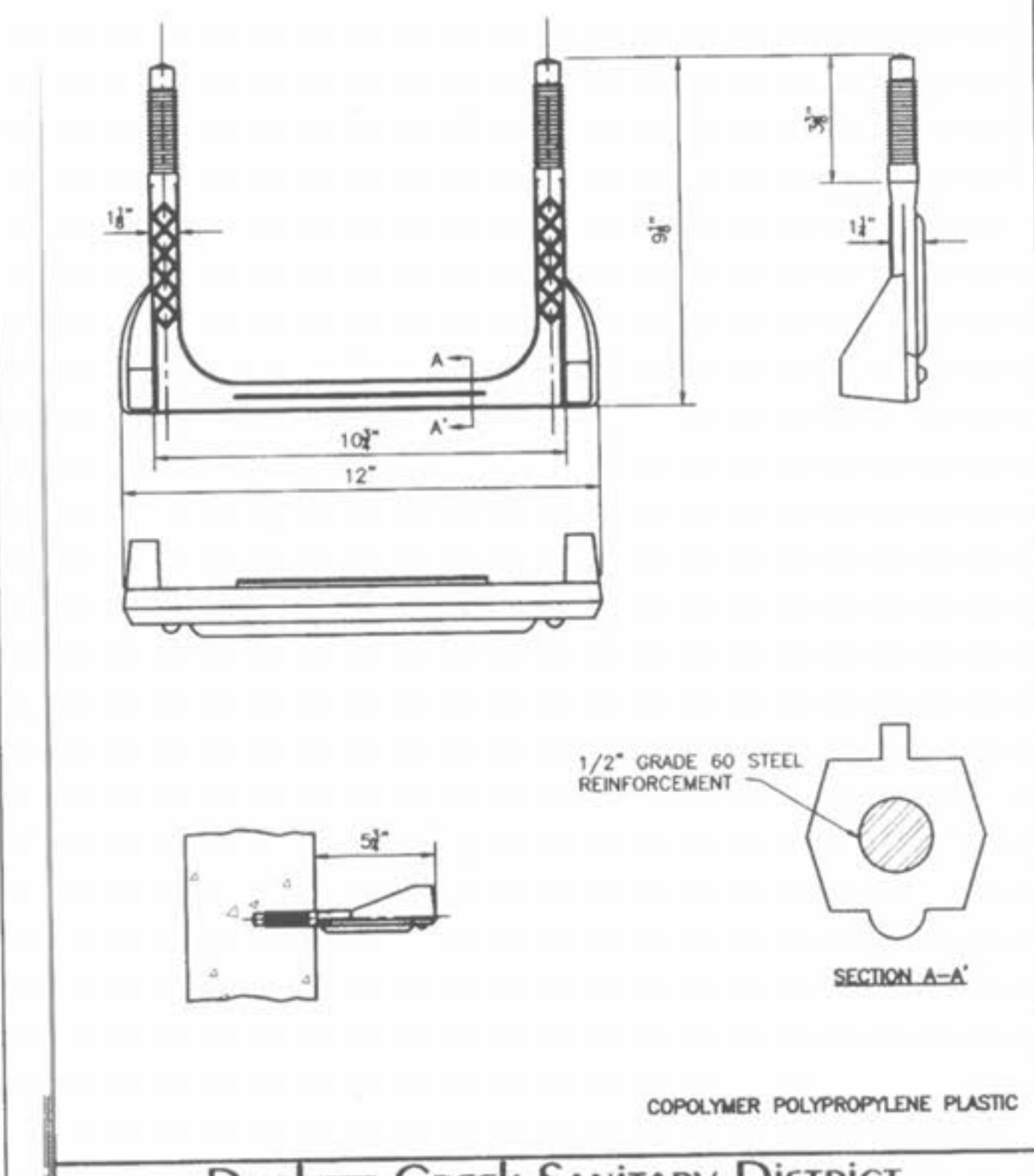
Duckett Creek Sanitary District			
LOCKING DEVICE FOR TYPE "T" LOCK TYPE MANHOLE COVER	Des. By: BSM	App. By: KLA	Detail No. 15
	Chg. By: MDOB	Date: 12-27-00	



Duckett Creek Sanitary District			
LOCKING DEVICE FOR TYPE "N" LOCK TYPE MANHOLE COVER	Des. By: BSM	App. By: KLA	Detail No. 16
	Chg. By: MDOB	Date: 12-28-00	



Duckett Creek Sanitary District			
CAST IRON COVERS MANHOLES AND INLETS	Des. By: BSM	App. By: KLA	Detail No. 13
	Chg. By: MDOB	Date: 12-22-00	



Duckett Creek Sanitary District			
MANHOLE STEP PRECAST MANHOLE	Des. By: BSM	App. By: KLA	Detail No. 18
	Chg. By: MDOB	Date: 1-3-01	

ISSUE	REMARKS/DATE
1	REV PER DUCKETT CREEK SANI. DISTRICT 9-20-05
2	REV PER CITY AND WATER DISTRICT COMMENTS 9-28-05
3	REV PER DUCKETT CREEK SANI. DISTRICT 10-17-05
4	REV PER WATER DISTRICT NO. 2 11-14-05
5	REV PER CITY OF OTTAWON, 12-02-05
6	REV PER CITY OF OTTAWON, 1-9-2006

PREPARED FOR:
McBride & Son Homes
 Land Development, Inc.
 #1 McBride & Son Center Drive
 Chesterfield, Missouri 63005
 (636) 537-2000

PREPARED BY:
THE STERLING CO.
 ENGINEERS & SURVEYORS
 5955 NEW BRUNSWICK PARK ROAD
 (314) 487-0440 FAX 487-8844
 E-Mail: Sterling@sterling-eng-sur.com

DRAWN:	DESIGNED:	CHECKED:
FOX HAVEN ADDITION		
DCSD CONSTRUCTION DETAILS		

NO. 04 05 084	SHEET
M.S.D. P#	CD8
DIGITAL FILE LOCATION: SERVER=STERLING-2 11/17/05	

Drawing name: K:\0405084 FOX HAVEN_ADDN\dwg\improvements\6147DETALS.dwg Plotted on: Jan 06, 2006 -- 4:07pm Plotted by: wtroung

BASE MAP