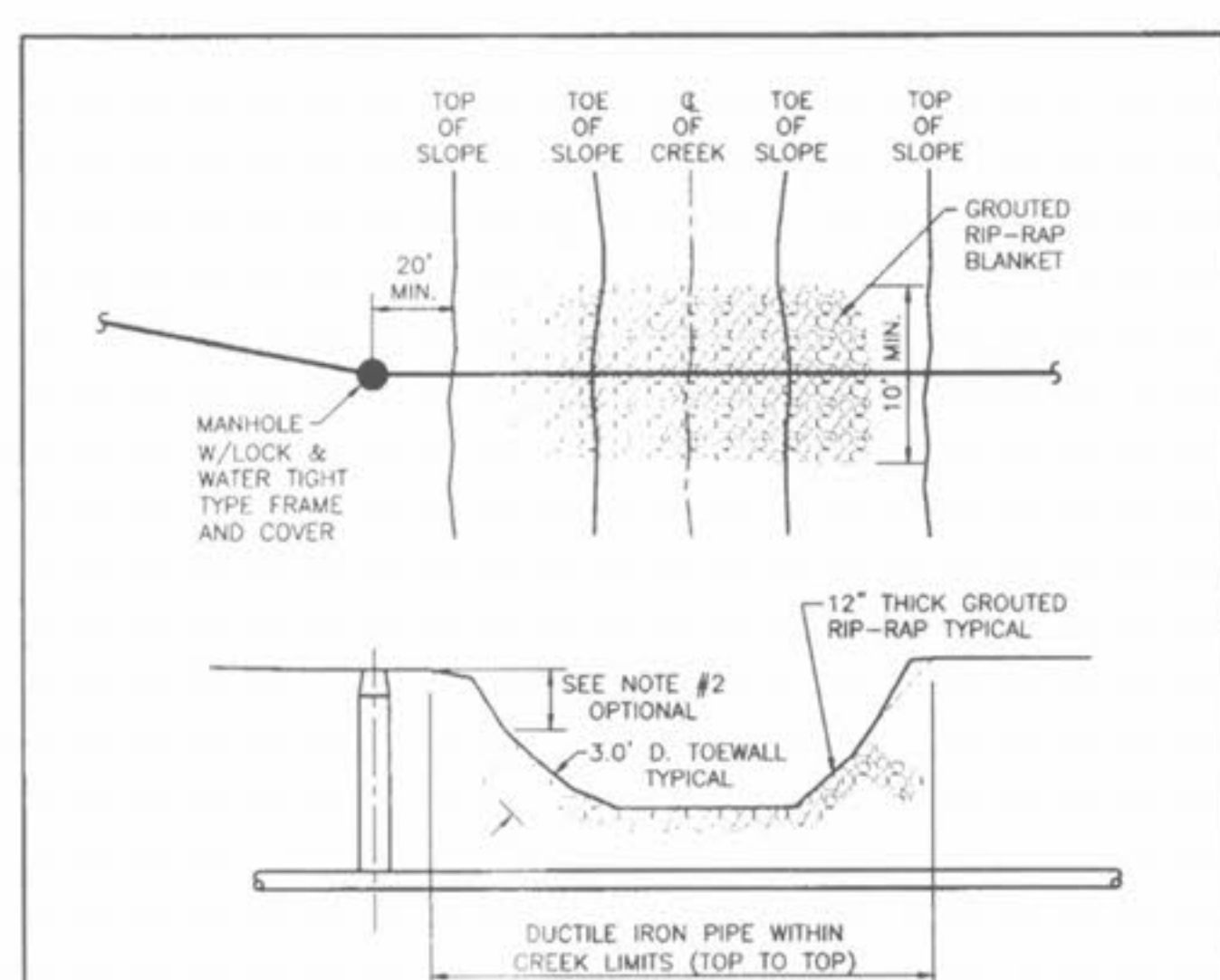


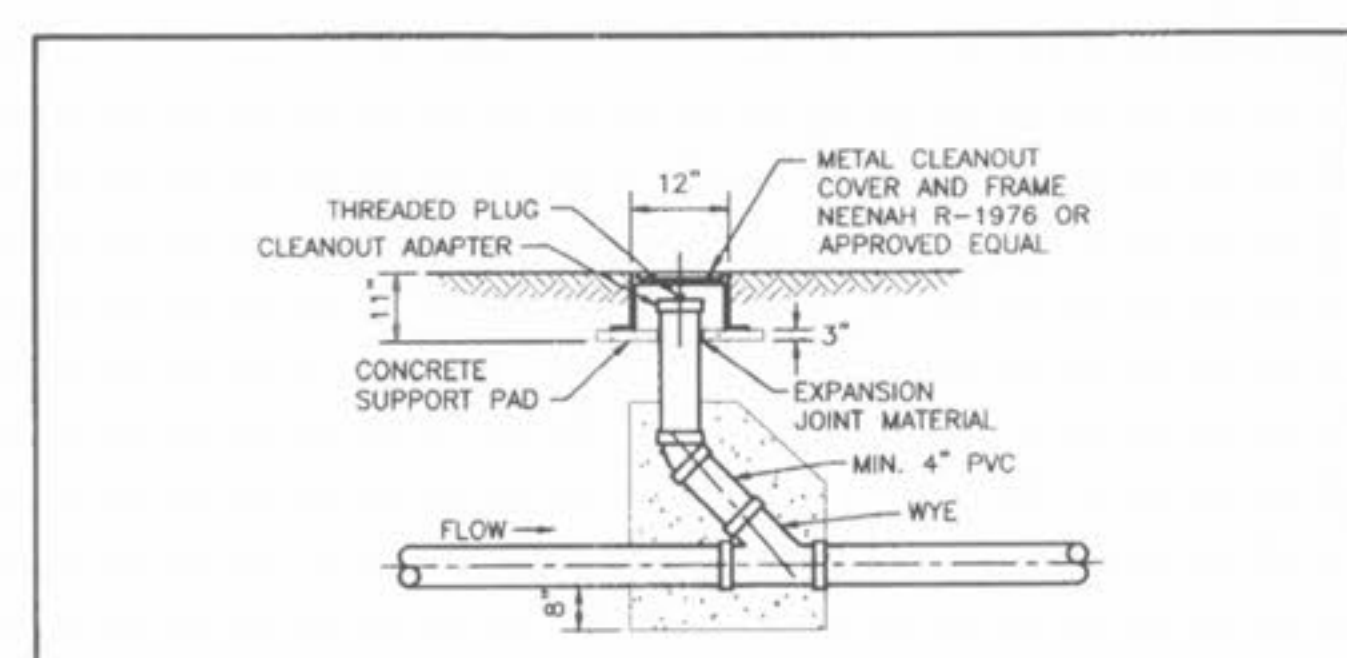
Drawing name: k:\0405084 FOX HAVEN ADDN\dwg\improvements\6147DETALS.dwg Plotted on: Jan 06, 2006 -- 4:07pm Plotted by: wtroung



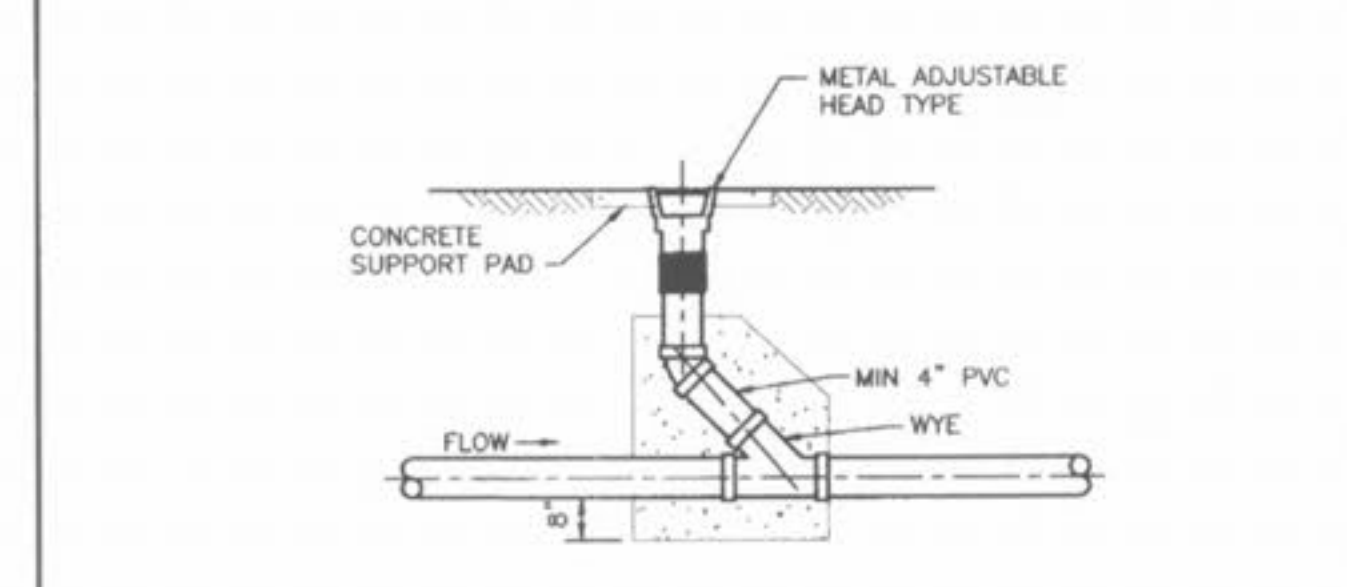
- NOTES:
- GROUTED RIP-RAP IS REQUIRED AT ALL CREEK CROSSINGS WHERE THE EMBANKMENTS CROSSED ARE STEEPER THAN 1 VERTICAL TO 2 HORIZONTAL RATIO SLOPE, AND ALSO WHERE THERE IS 3 FEET OR LESS COVER OVER THE TOP OF THE SEWER MAIN.
 - PLACE RIP-RAP ON LOWER 3/4 OF SLOPE, GRADE UPPER 1/4 OF SLOPE AT 1 VERTICAL TO 2 HORIZONTAL SLOPE FOR SDD OR 1 VERTICAL TO 2.5 HORIZONTAL SLOPE FOR SEED AND STRAW.
 - RIP-RAP TO BE "MSD 5" GRADATION, MINIMUM 12" THICK, GROUTED WITH 8 SACK MIX SAND-CEMENT SLURRY, BROOM FINISH.
 - INCORPORATE A 3 FEET DEEP TOE WALL ON EMBANKMENT'S UPPER EDGE OF RIP-RAP.
 - TOP SURFACE OF RIP-RAP SHOULD NOT BE HIGHER THAN ADJACENT GROUND SURFACE.
 - IF PIPE HAS LESS THAN 12" COVER, A PAVED CHANNEL MAY BE REQUIRED.
 - DUCTILE IRON PIPE IS REQUIRED WITHIN THE CREEK LIMITS.

DUCKETT CREEK SANITARY DISTRICT

TYPICAL CREEK CROSSING	Des By: BSM	App By: KLA	Detail No. 24
	Chd By: MDOB	Date: 1-8-01	



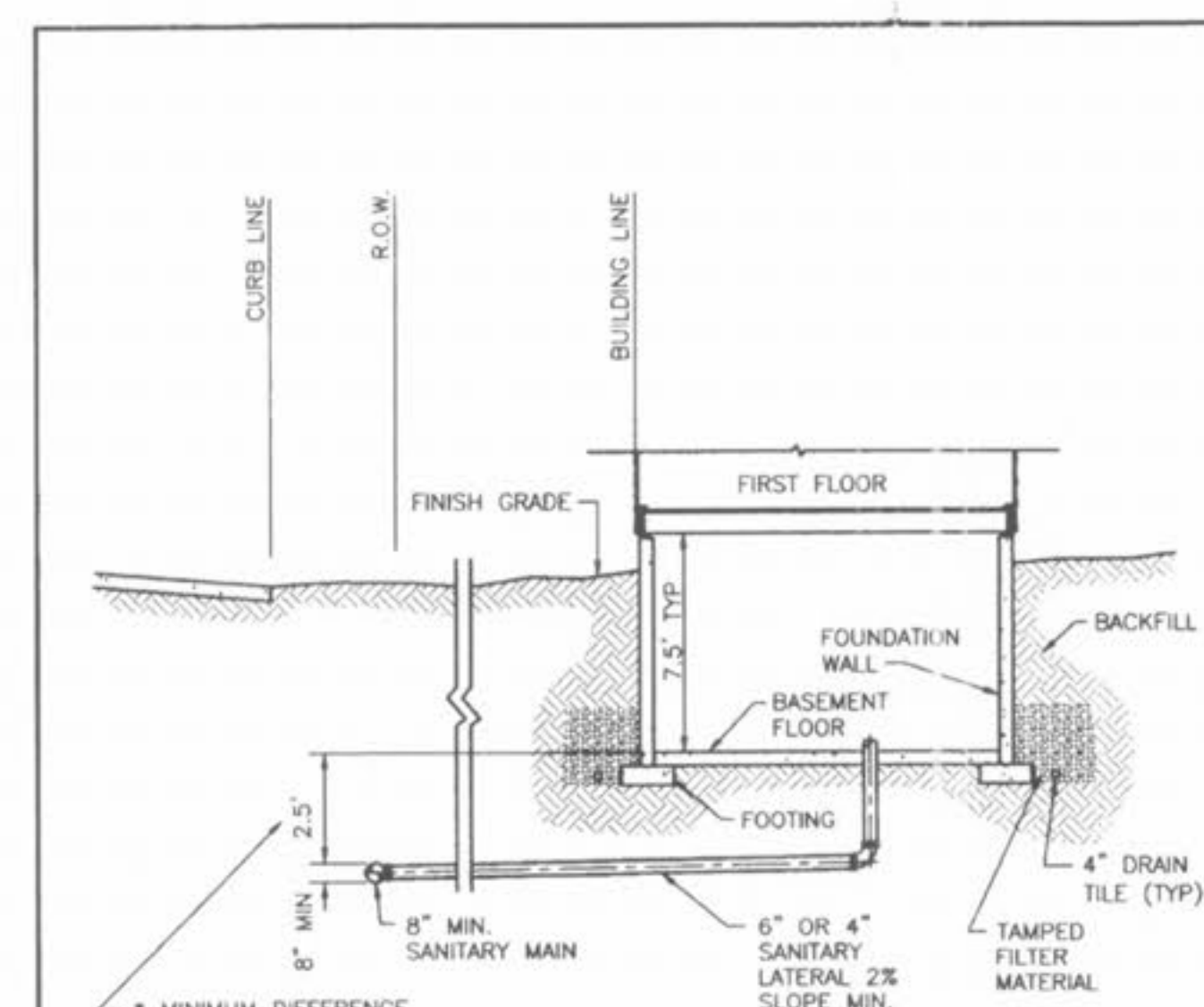
METAL FRAME AND COVER TYPE CLEANOUT



ADJUSTABLE HEAD TYPE CLEANOUT

DUCKETT CREEK SANITARY DISTRICT

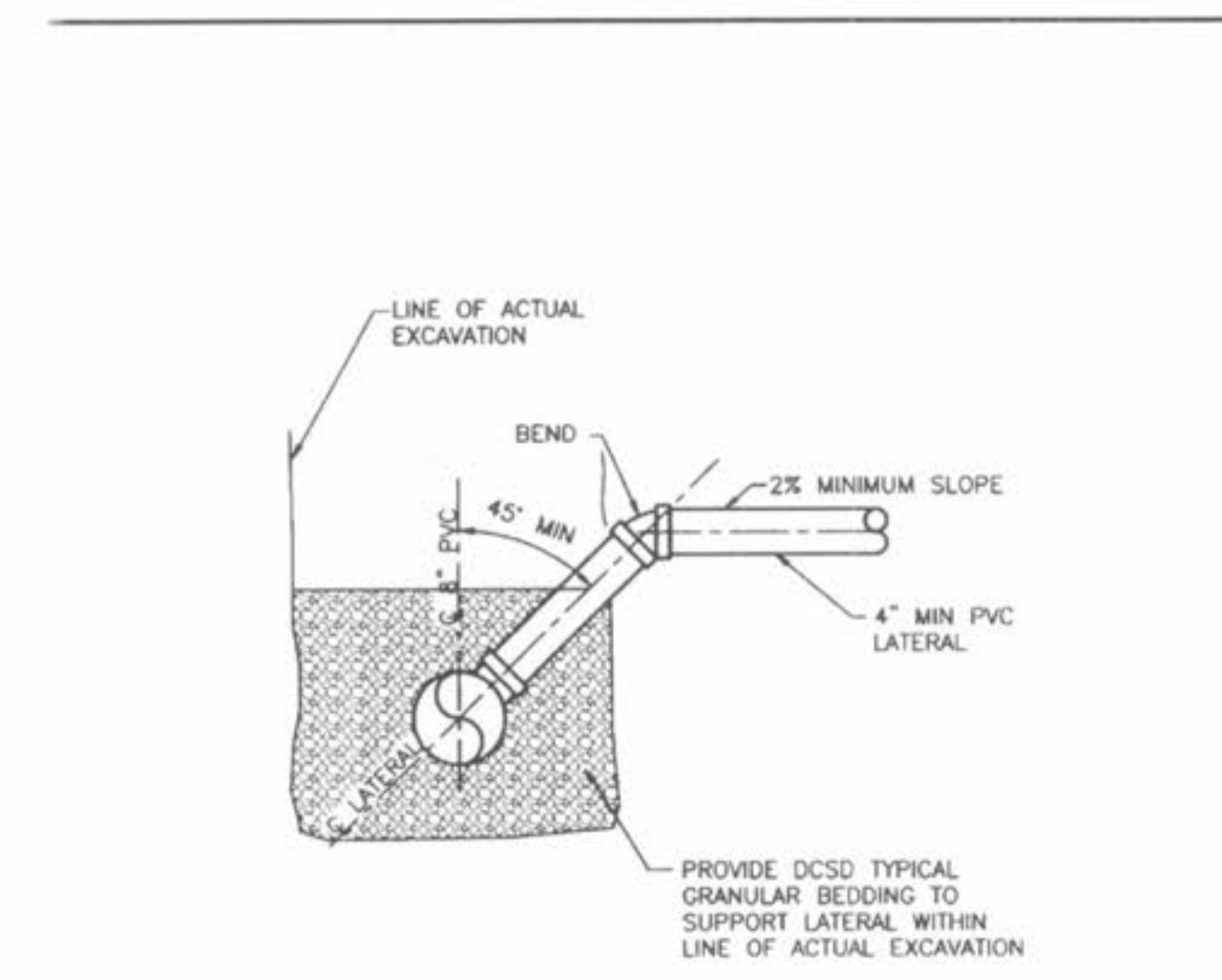
TYPICAL SEWER LATERAL CLEANOUT DETAILS	Des By: BSM	App By: KLA	Detail No. 25
	Chd By: MDOB	Date: 1-8-01	



* NOTE: DIFFERENCE IN DEPTH INCREASES WITH PIPE SIZE

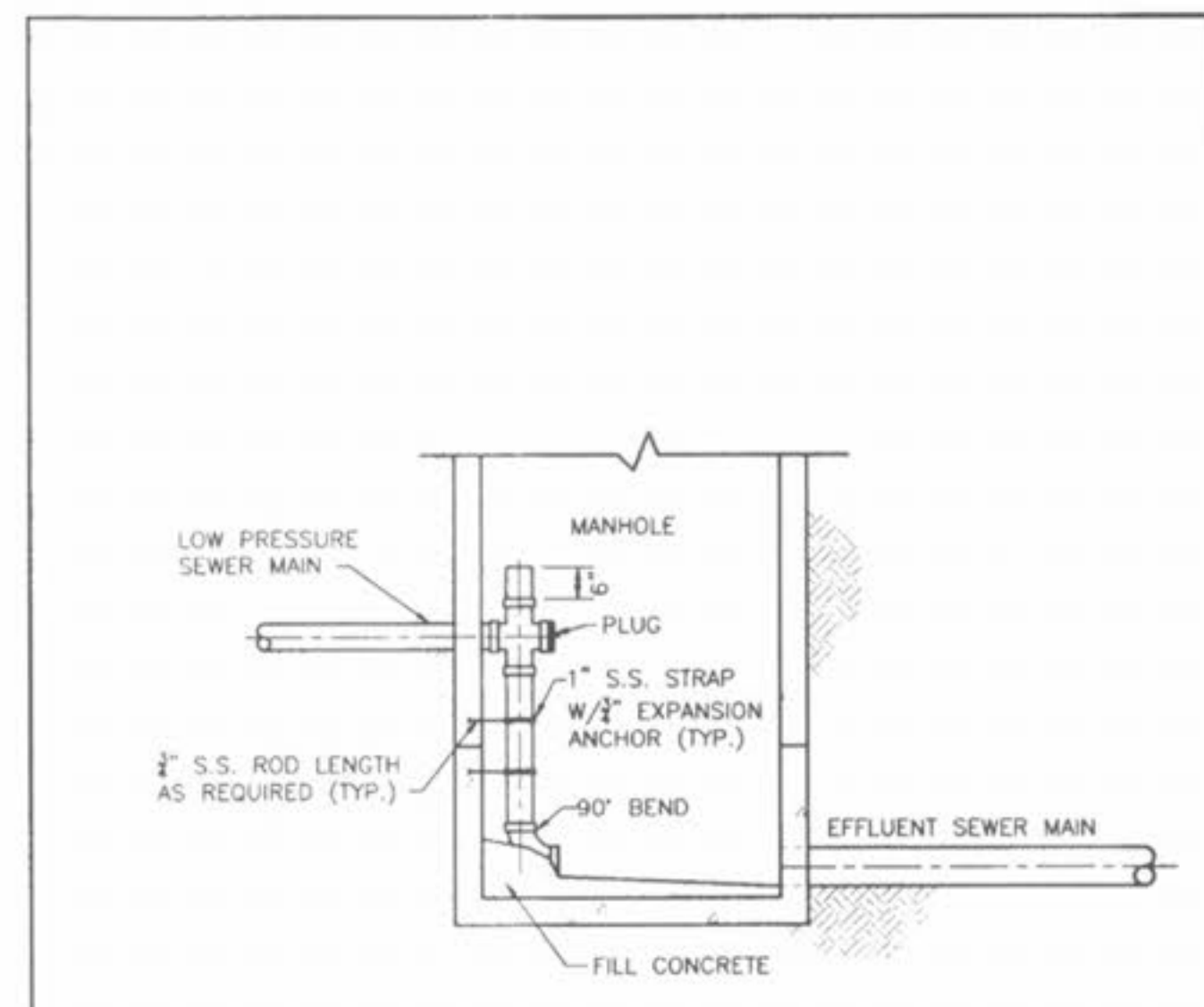
DUCKETT CREEK SANITARY DISTRICT

TYPICAL SANITARY SEWER LATERAL PROFILE	Des By: BSM	App By: KLA	Detail No. 26
	Chd By: MDOB	Date: 1-9-01	



DUCKETT CREEK SANITARY DISTRICT

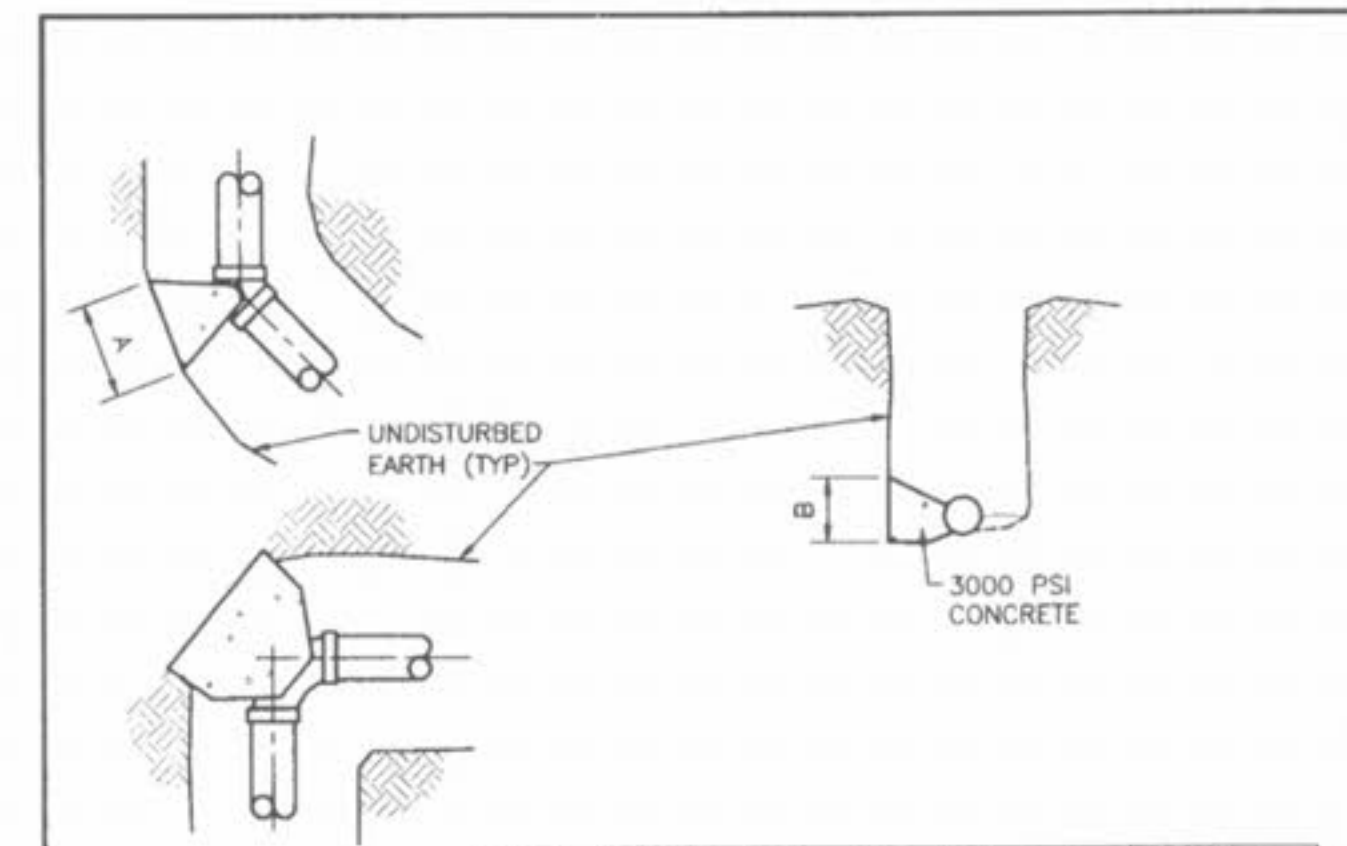
SANITARY SEWER LATERAL RISER DETAIL	Des By: BSM	App By: KLA	Detail No. 27
	Chd By: MDOB	Date: 1-9-01	



NOTE: INVERT-BOTTOM SHALL BE WORKED TO PROVIDE POSITIVE DRAINAGE THROUGH MANHOLE

DUCKETT CREEK SANITARY DISTRICT

LOW PRESSURE SEWER MAIN CONNECTION AT MANHOLE	Des By: BSM	App By: KLA	Detail No. 28
	Chd By: MDOB	Date: 1-9-01	



MAIN SIZE	A x B	A x B	A x B	A x B
	22 1/2"	45"	90"	TEE
2"	.5' x 1'	.5' x 1'	1' x 1'	1' x 1'
4"	1' x 1'	1' x 1'	1.5' x 1'	1' x 1'
6"	1' x 1'	1.5' x 1'	2' x 1'	1.5' x 1'
8"	1' x 1'	2' x 1'	2' x 1'	2' x 1'

DUCKETT CREEK SANITARY DISTRICT

THRUST BLOCK DETAIL AND SIZE SCHEDULE	Des By: BSM	App By: KLA	Detail No. 29
	Chd By: MDOB	Date: 1-9-01	

ISSUE REMARKS/DATE

1	REV PER DUCKETT CREEK SANI. DISTRICT 9-20-05
2	REV PER CITY AND WATER DISTRICT COMMENTS 9-28-05
3	REV PER DUCKETT CREEK SANI. DISTRICT 10-17-05
4	REV PER WATER DISTRICT NO. 2, 11-14-05
5	REV PER CITY OF OFALLON, 12-02-05
6	REV PER CITY OF OFALLON, 1-9-2006

PREPARED FOR:
**McBride & Son Homes
 Land Development, Inc.**
 #1 McBride & Son Center Drive
 Chesterfield, Missouri 63005
 (636) 537-2000

THE **STERLING** CO.
 ENGINEERS & SURVEYORS
 5055 NEW BALMARTNER ROAD
 ST. LOUIS, MISSOURI 63112
 314-991-8844
 E-Mail: Sterling@sterling-eng-sur.com

PROJECT: **FOX HAVEN ADDITION**

SHEET TITLE: DCSD CONSTRUCTION DETAILS

NO. 04 05 084	M.S.D. SHEET
P#	CD10