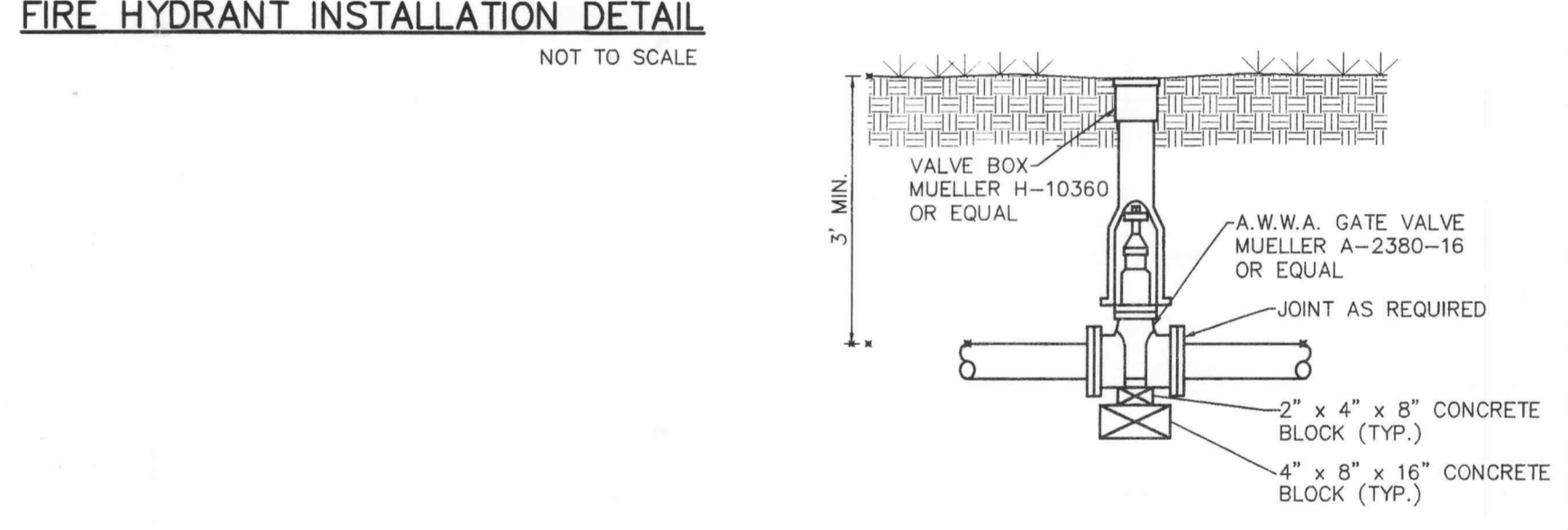
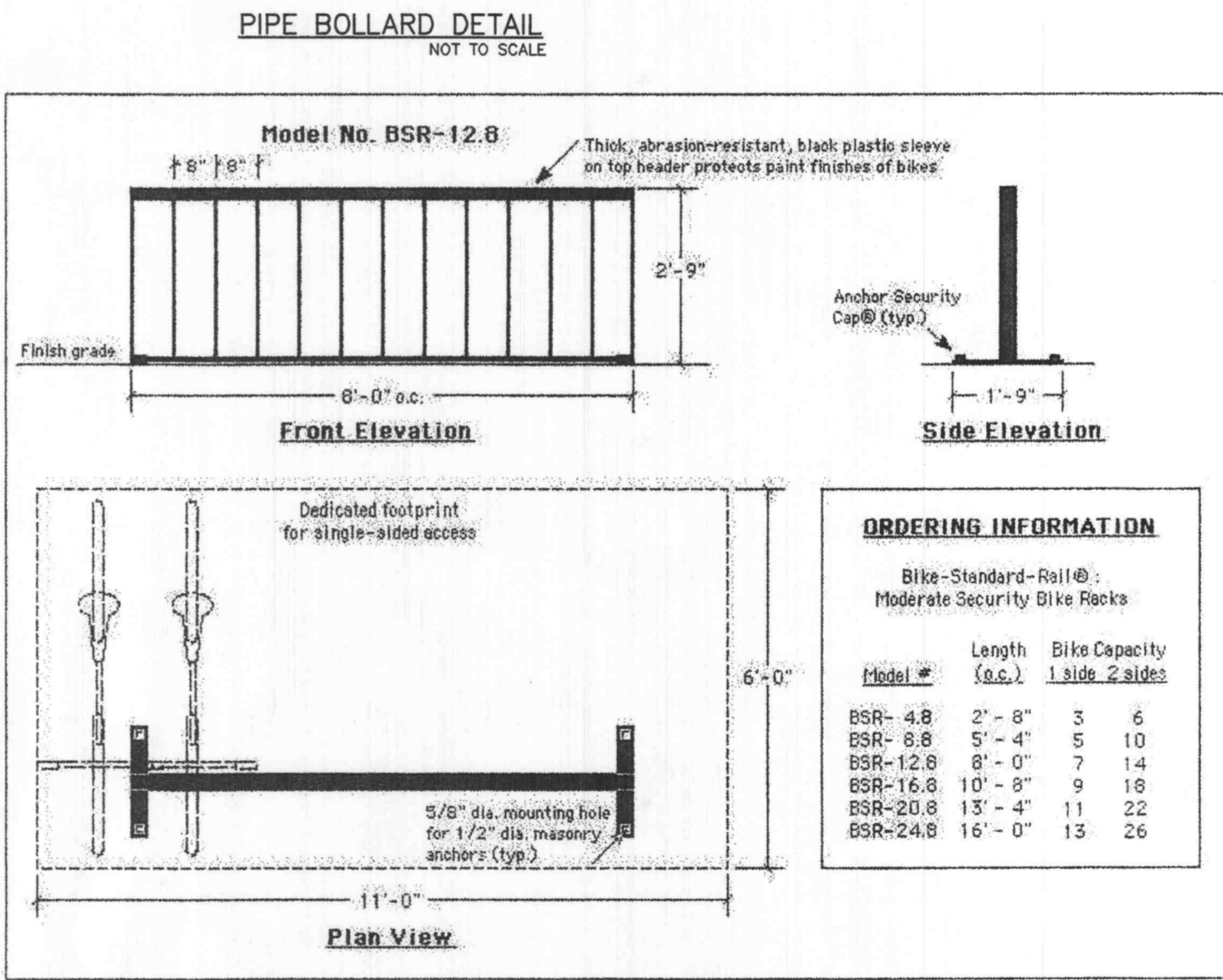
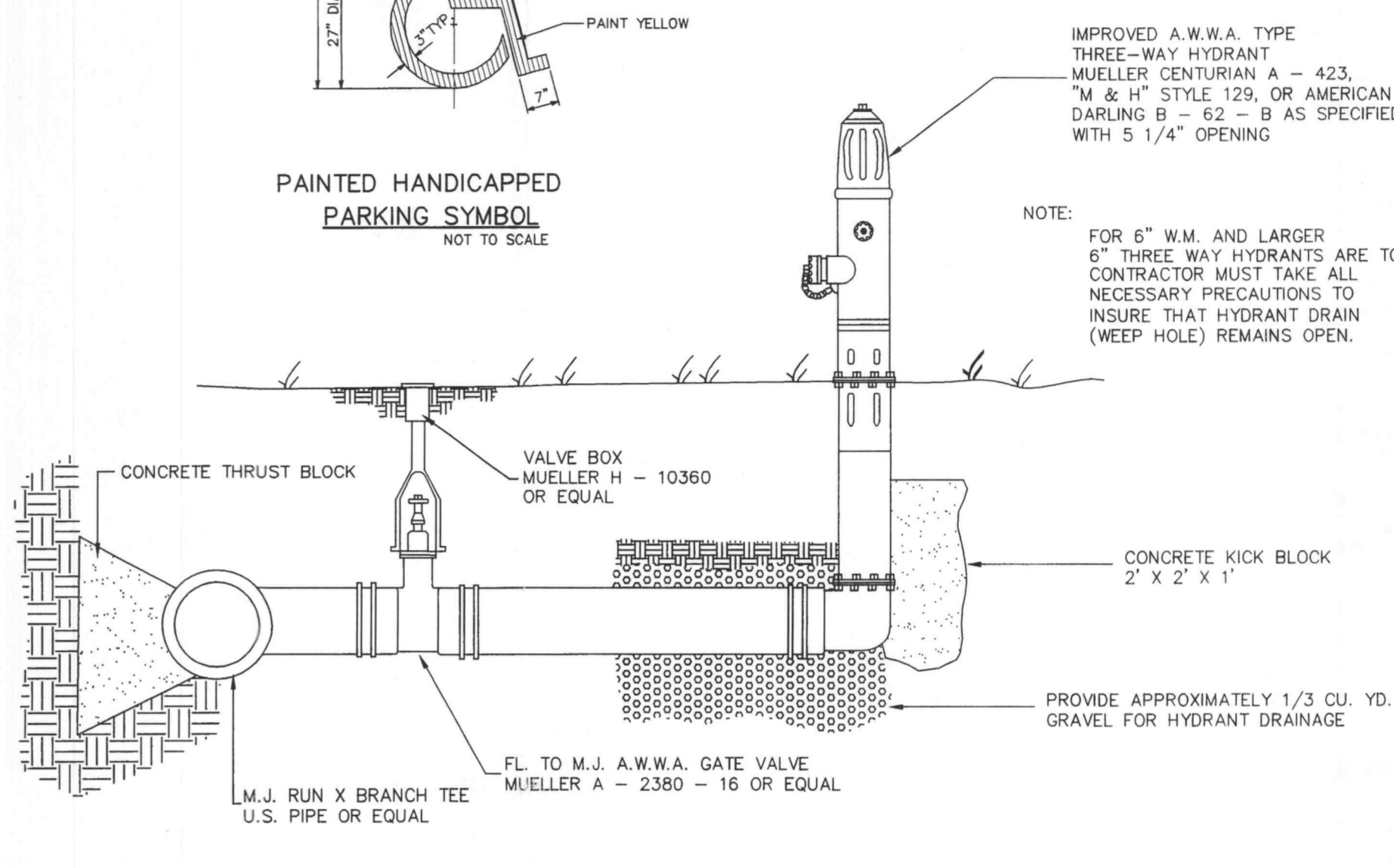
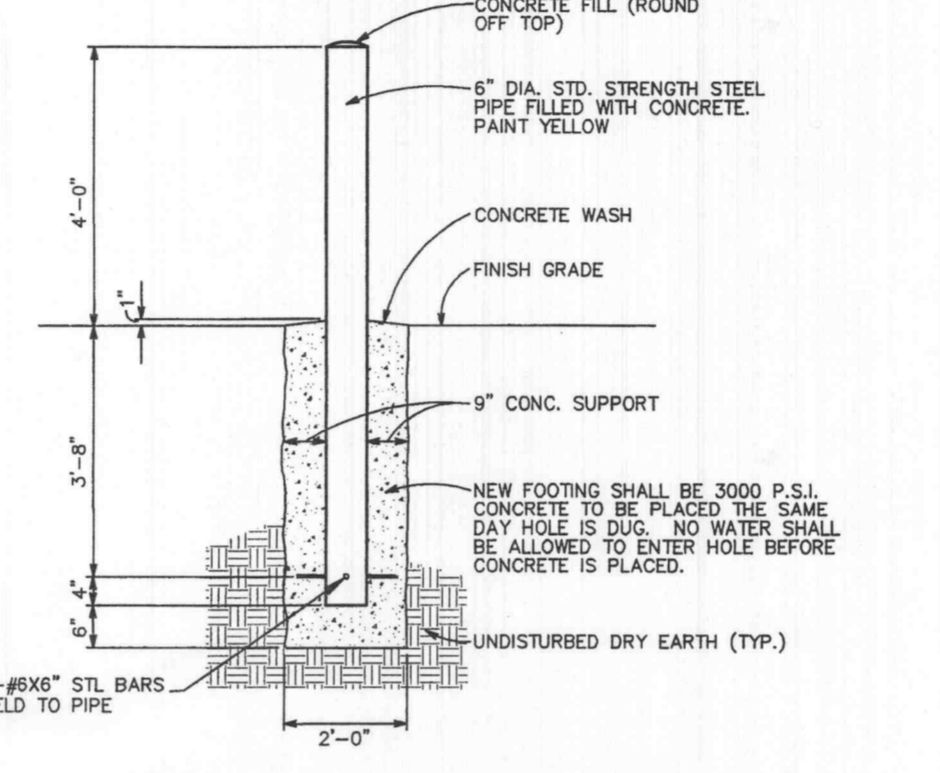
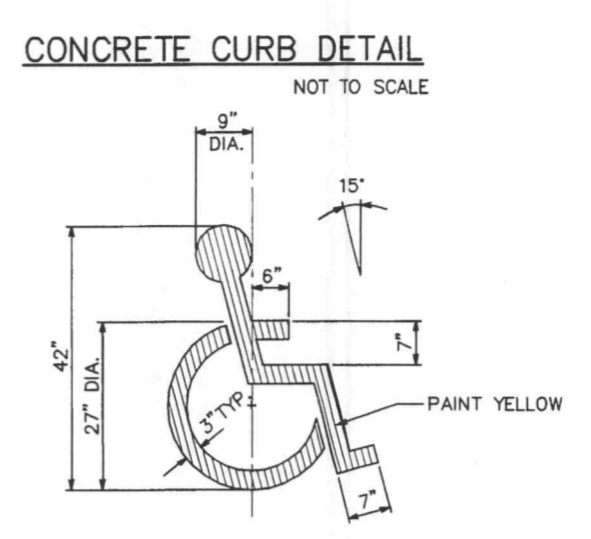
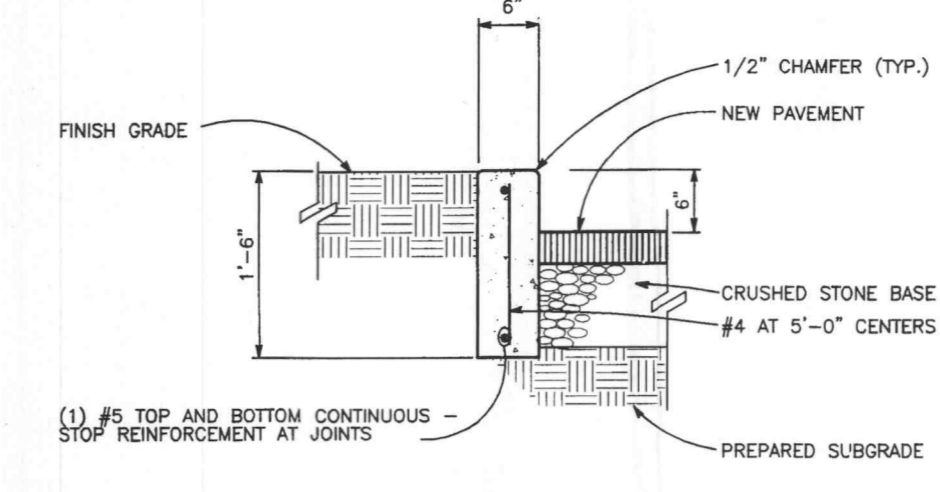
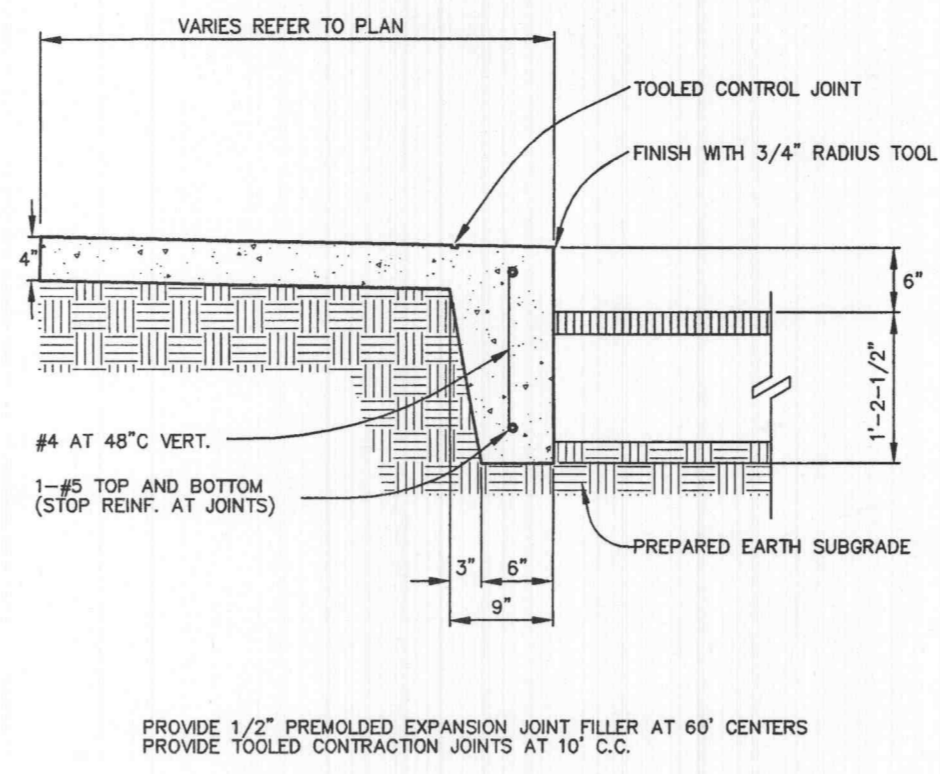
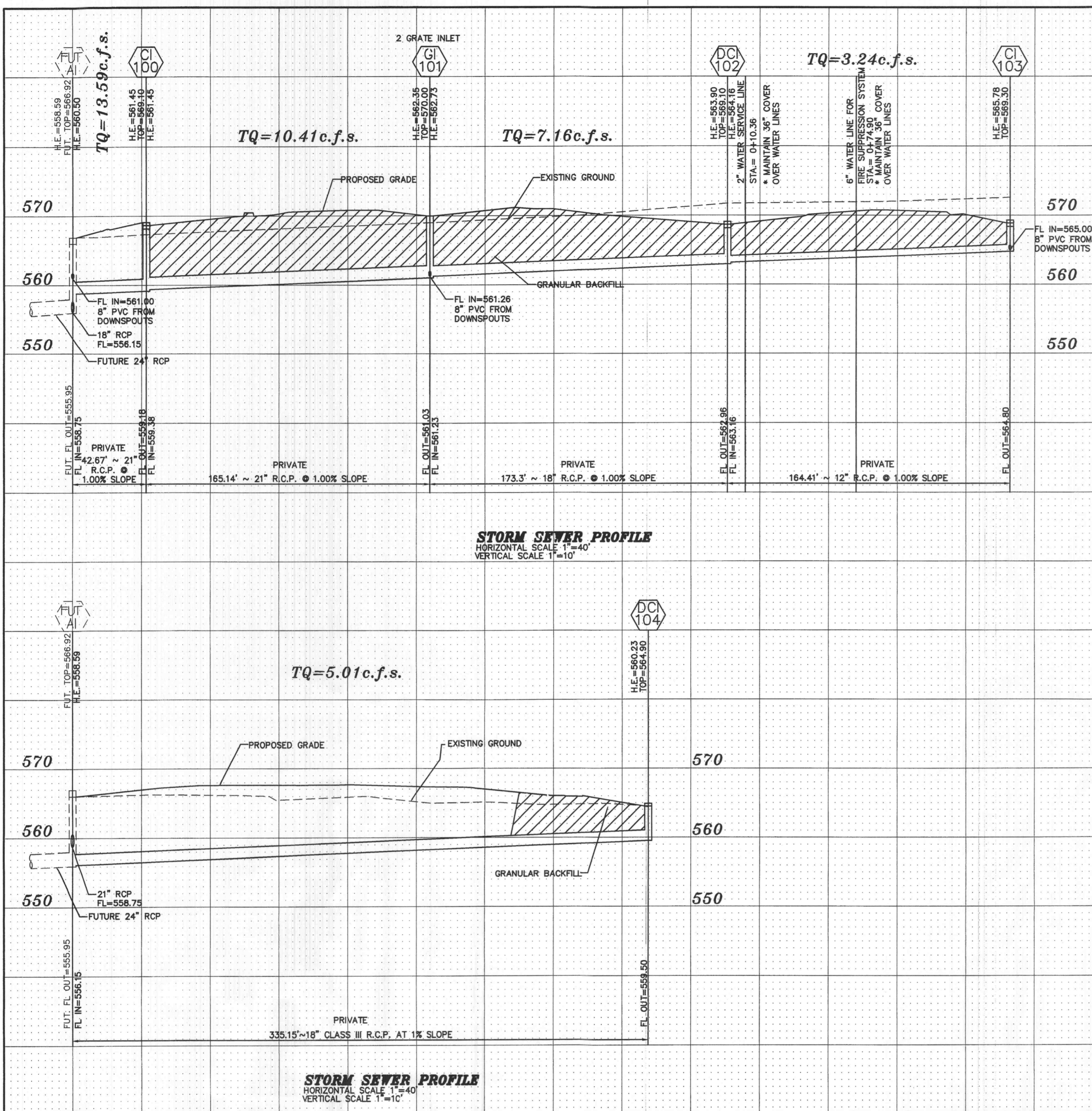


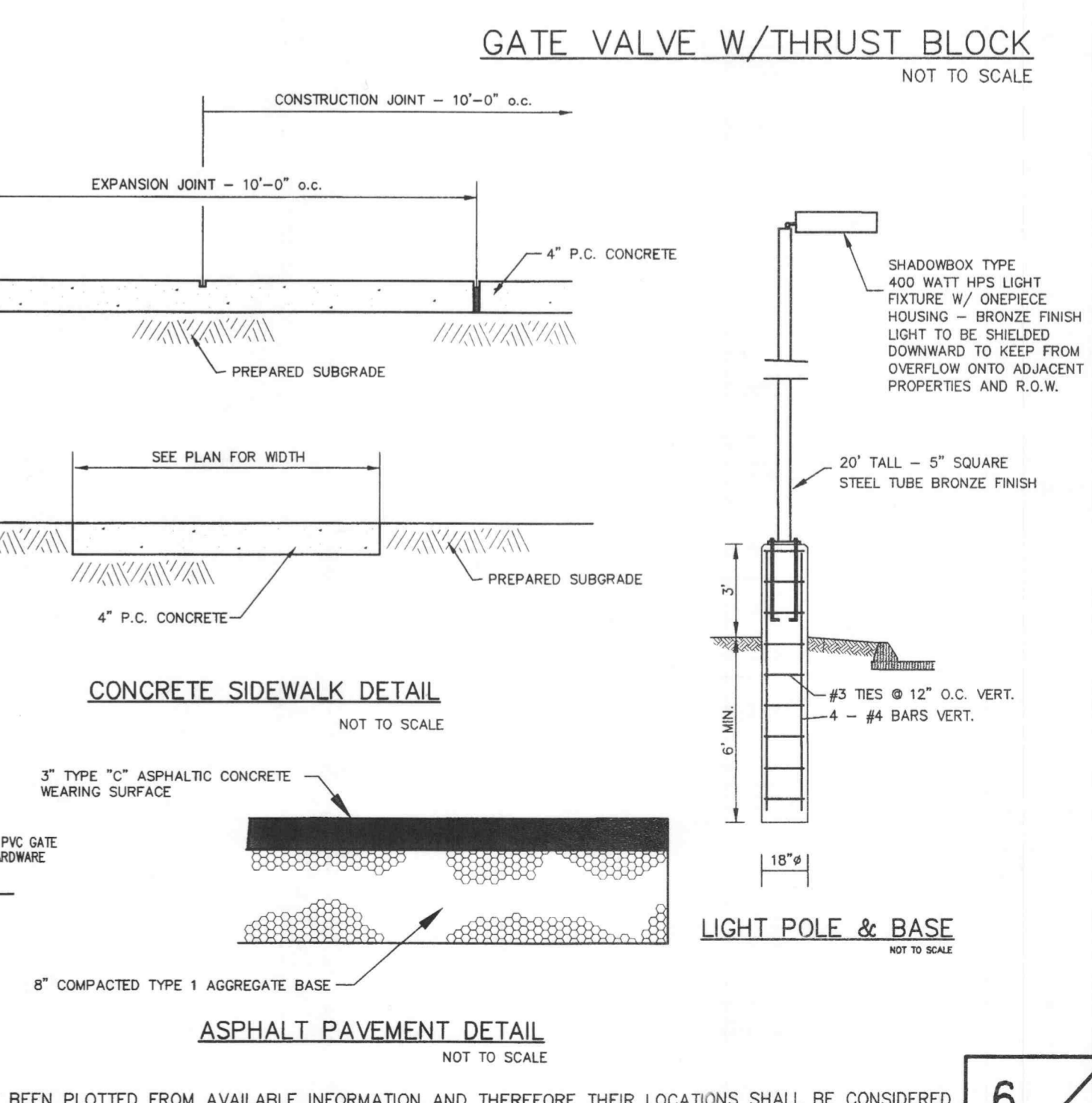
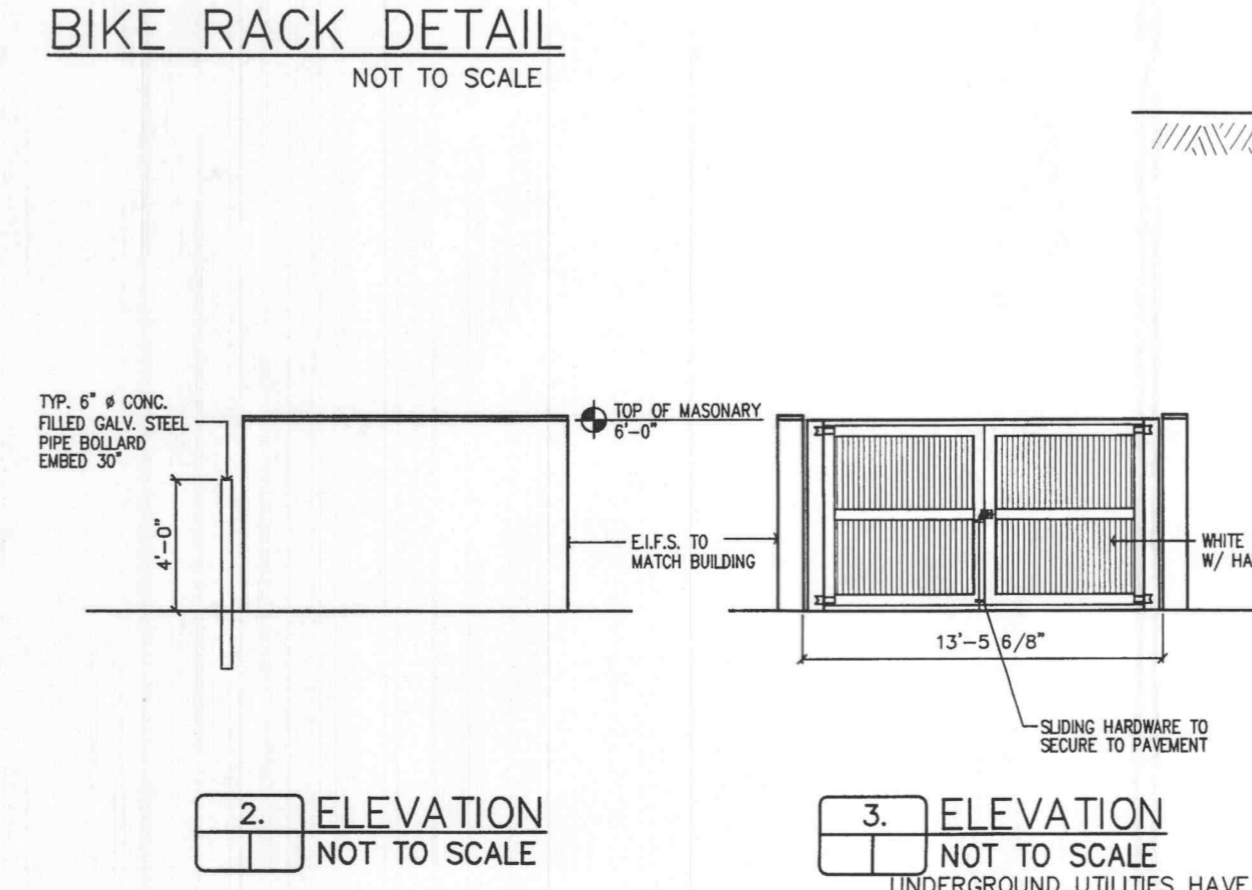
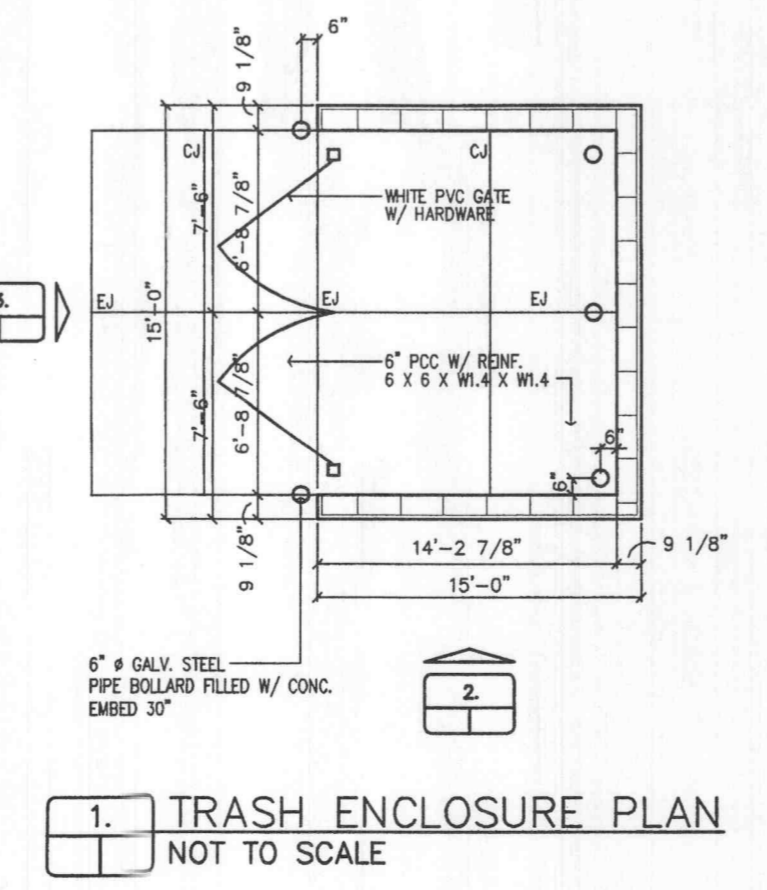
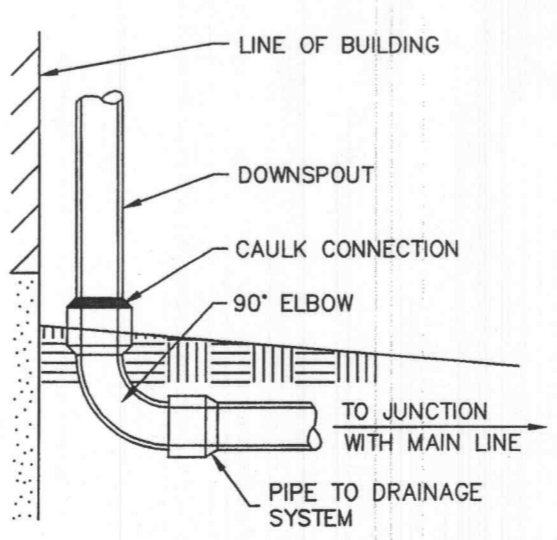
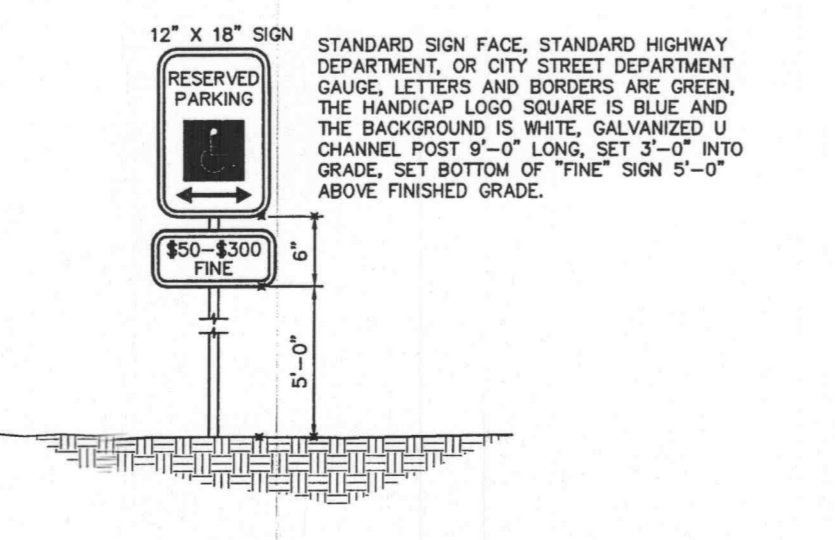
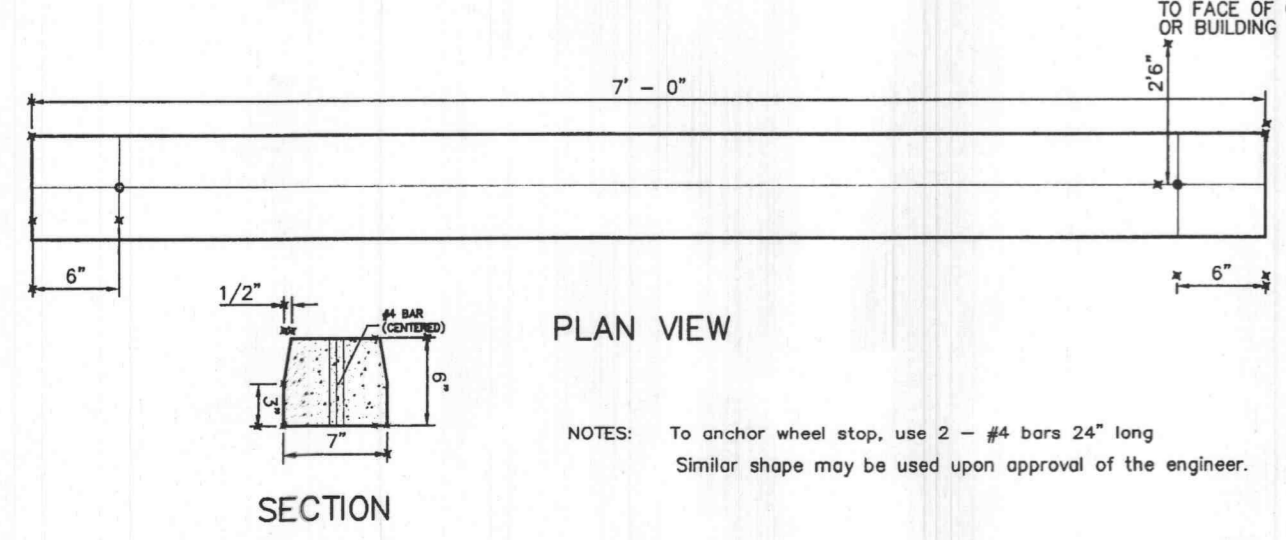
REVISIONS:  
 08-16-05 Duckett Comments  
 08-16-05 PWS #2 Comments  
 08-16-05 Fire Department  
 08-30-05 Per City Comments  
 09-06-05 PWS #2 Comments  
 10-12-05 Per City Comments  
 10-26-05 Meter Per Client  
 11-22-05 ModOT Comments  
 11-28-05 ModOT Comments  
 12-06-05 Fire Department  
 12-07-05 Per City Comments  
 12-15-05 Per City Comments



FILENAME: 13173A-09-27-05

UPP STR	LOW STR	L	DIA	UPPER FL LN	LOWER FL LN	PS	UPPER ST EL	DEPTH HY GR	UPPER HY EL	LOWER HY EL	HYDR GRADE	FR HEAD	VEL	VEL HEAD	JUNC LOSS	TURN LOSS	TQ	PIPE CAP	REMARKS
DCI 104EXAI	33	335	18	559.50	556.15	1.00	564.90	4.67	560.23*	558.59	.00230	0.76	2.84	0.12	0.12	0.00	5.01	10.50	1
CI 103 DCI	102	164	12	564.80	563.16	1.00	569.30	3.52	565.78	564.16	.00830	1.36	4.13	0.26	0.26	0.00	3.24	3.56	2
DCI 102 CI	101	173	18	562.96	561.23	1.00	569.10	5.20	563.90	562.73	.00460	0.81	4.05	0.25	0.20	0.16	7.16	10.50	3
CI 101 CI	100	165	21	561.03	559.38	1.00	570.00	7.65	562.35	561.45	.00430	0.71	4.33	0.29	0.15	0.04	10.41	15.84	4
CI 100 EXAI	33	43	21	559.18	558.75	1.01	569.10	7.65	561.45	560.50	.00780	0.33	5.80	0.52	0.44	0.18	13.95	15.91	5
EXAI 33EXMH	32	56	24	555.95	555.39	0.99	566.92	8.33	558.59	557.39	.00710	0.40	6.08	0.57	0.41	0.39	19.10	22.55	6

\* INDICATES CRITICAL DEPTH



UNDERGROUND UTILITIES HAVE BEEN PLOTTED FROM AVAILABLE INFORMATION AND THEREFORE THEIR LOCATIONS SHALL BE CONSIDERED APPROXIMATE ONLY. THE VERIFICATION OF THE LOCATION OF ALL UNDERGROUND UTILITIES, EITHER SHOWN OR NOT SHOWN ON THESE PLANS SHALL BE THE RESPONSIBILITY OF THE CONTRACTOR, AND SHALL BE LOCATED PRIOR TO ANY GRADING OR CONSTRUCTION OF THE IMPROVEMENTS.