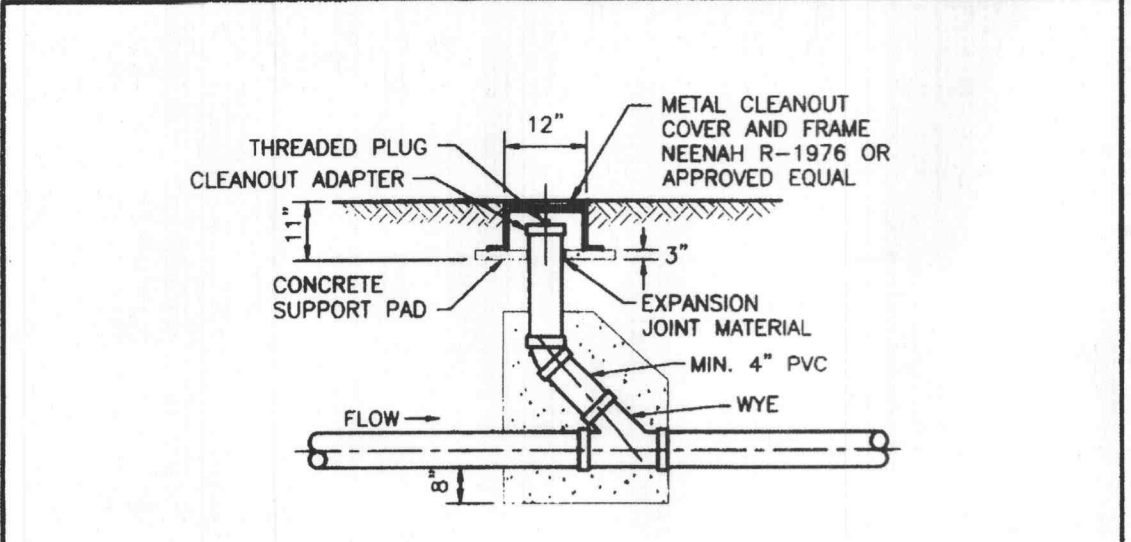
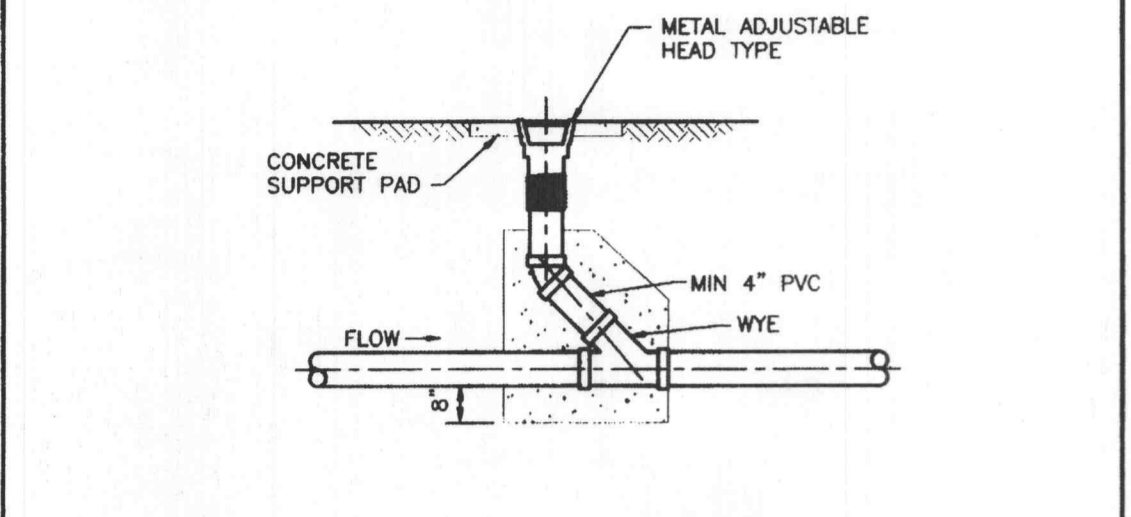


REVISIONS:
08-16-05 Duckett Comments
08-16-05 PWSO #2 Comments
08-30-05 Per City Comments
08-30-05 Fire Department
09-06-05 PWSO #2 Comments
10-12-05 Per City Comments
10-26-05 Meter Per Client
11-22-05 MoDOT Comments
11-28-05 MoDOT Comments
12-06-05 Fire Department
12-07-05 Per City Comments
12-15-05 Per City Comments



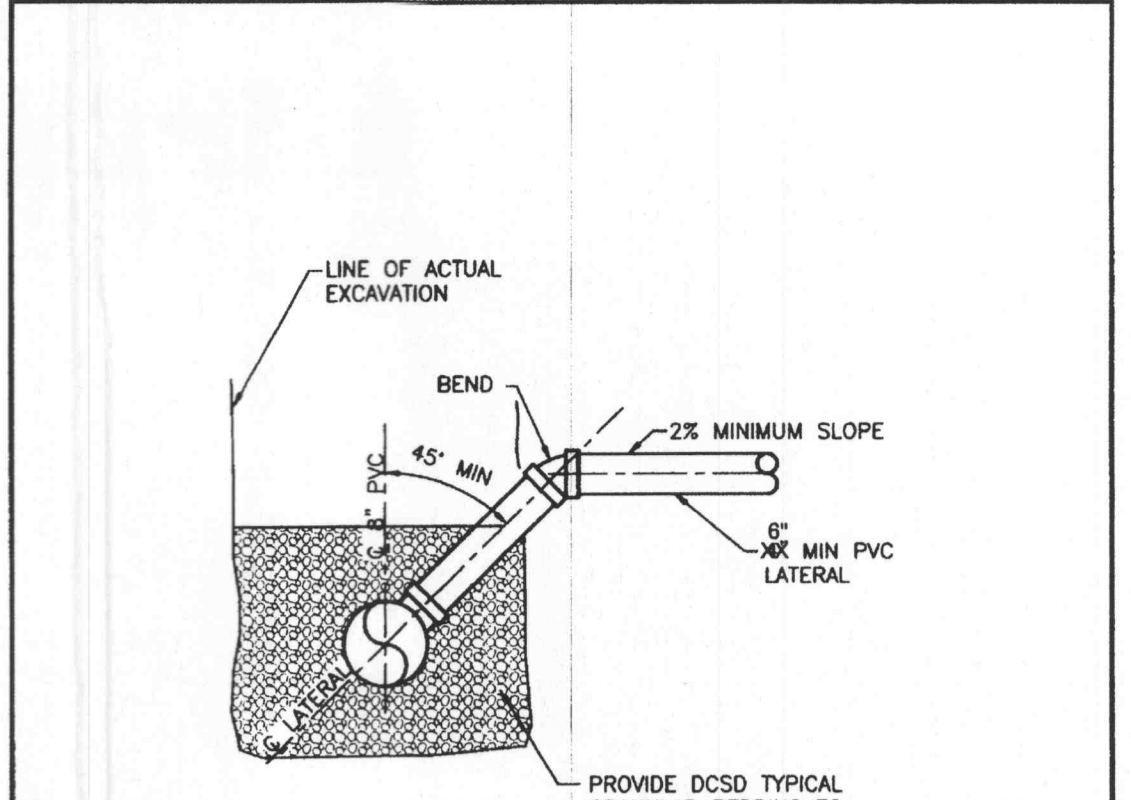
METAL FRAME AND COVER TYPE CLEANOUT



ADJUSTABLE HEAD TYPE CLEANOUT

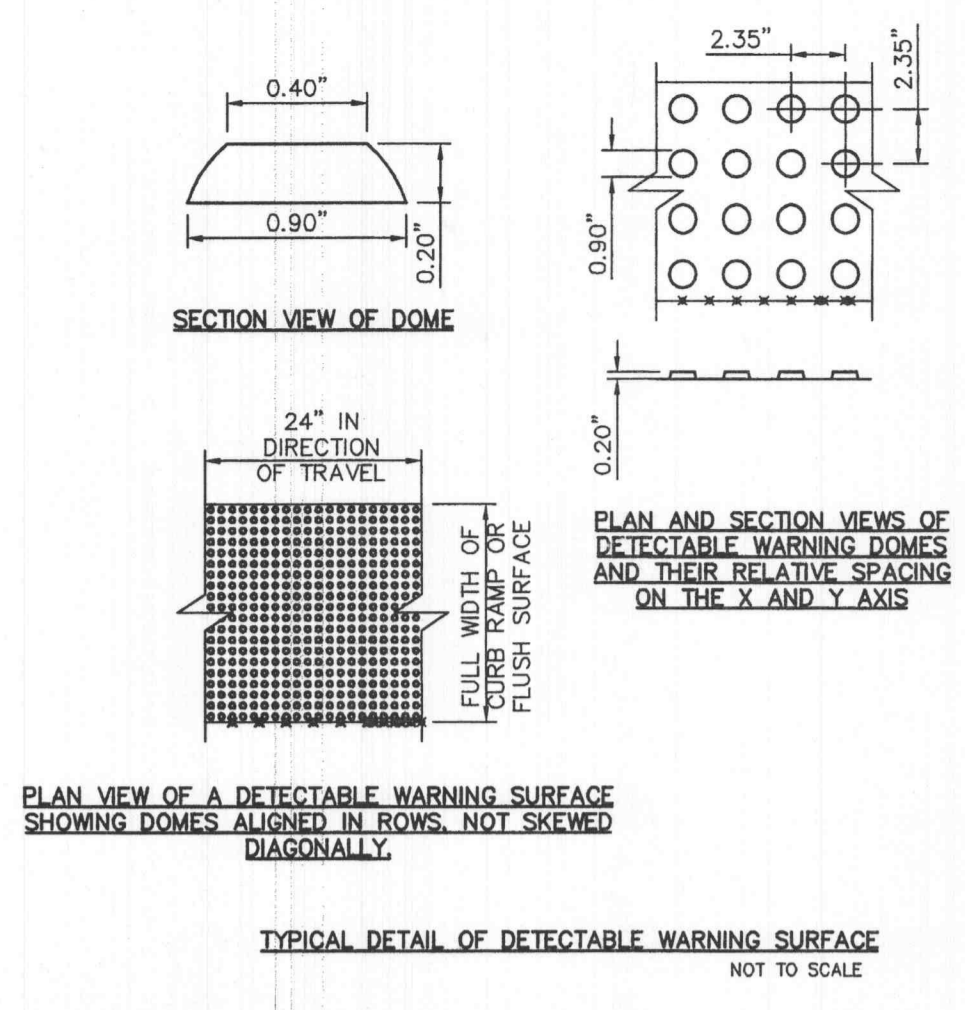
Duckett Creek Sanitary District
TYPICAL SEWER LATERAL CLEANOUT DETAILS

Drawn By: BSM	App. By: KLA	Detail No.:
Checked By: MDOB	Date: 1-8-01	25



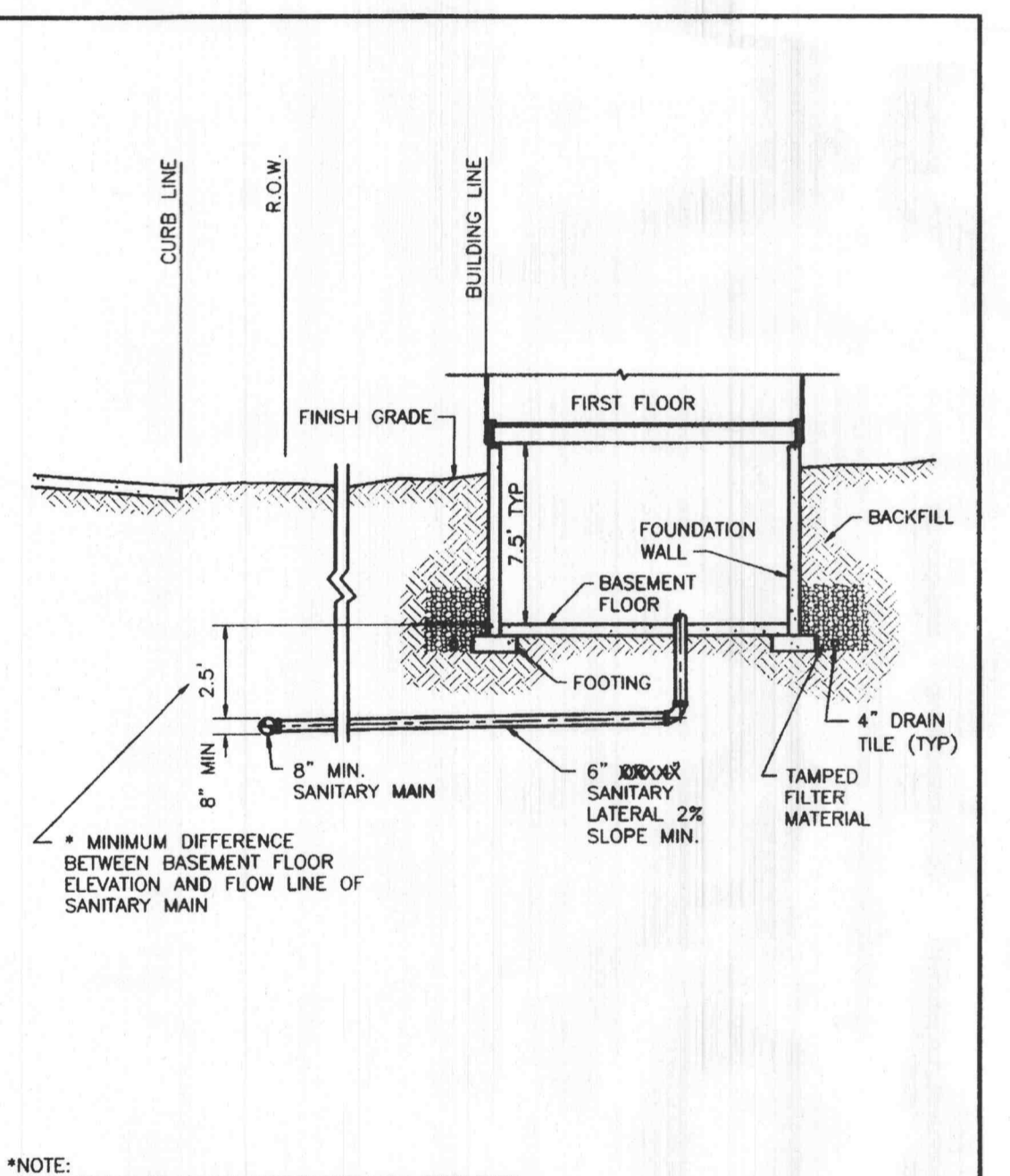
Duckett Creek Sanitary District
SANITARY SEWER LATERAL RISER DETAIL

Drawn By: BSM	App. By: KLA	Detail No.:
Checked By: MDOB	Date: 1-9-01	27



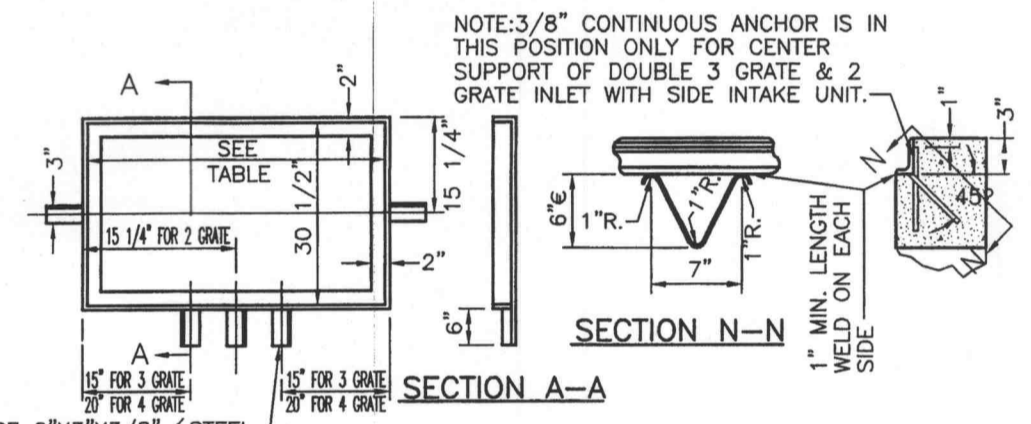
PLAN VIEW OF A DETECTABLE WARNING SURFACE SHOWING DOMES ALIGNED IN ROWS, NOT SKINNED DIAGONALLY.

TYPICAL DETAIL OF DETECTABLE WARNING SURFACE NOT TO SCALE

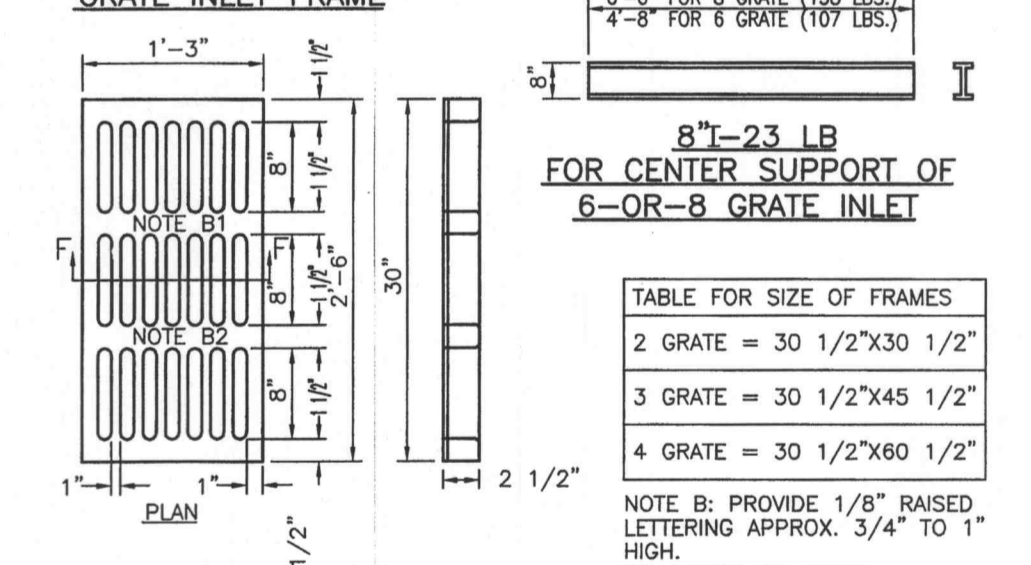


Duckett Creek Sanitary District
TYPICAL SANITARY SEWER LATERAL PROFILE

Drawn By: BSM	App. By: KLA	Detail No.:
Checked By: MDOB	Date: 1-9-01	26

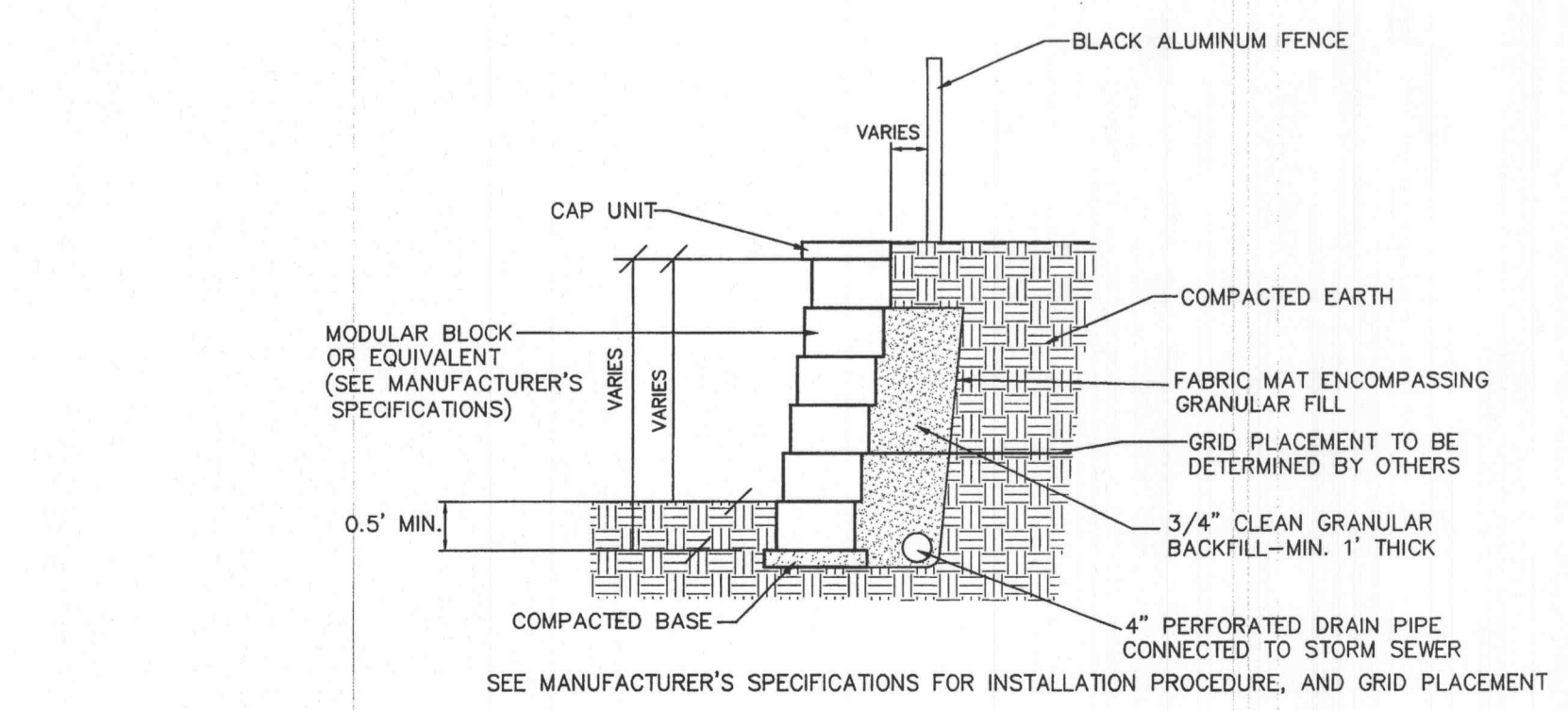


DETAIL OF CONTINUOUS ANCHOR FOR ANGLE SEAT

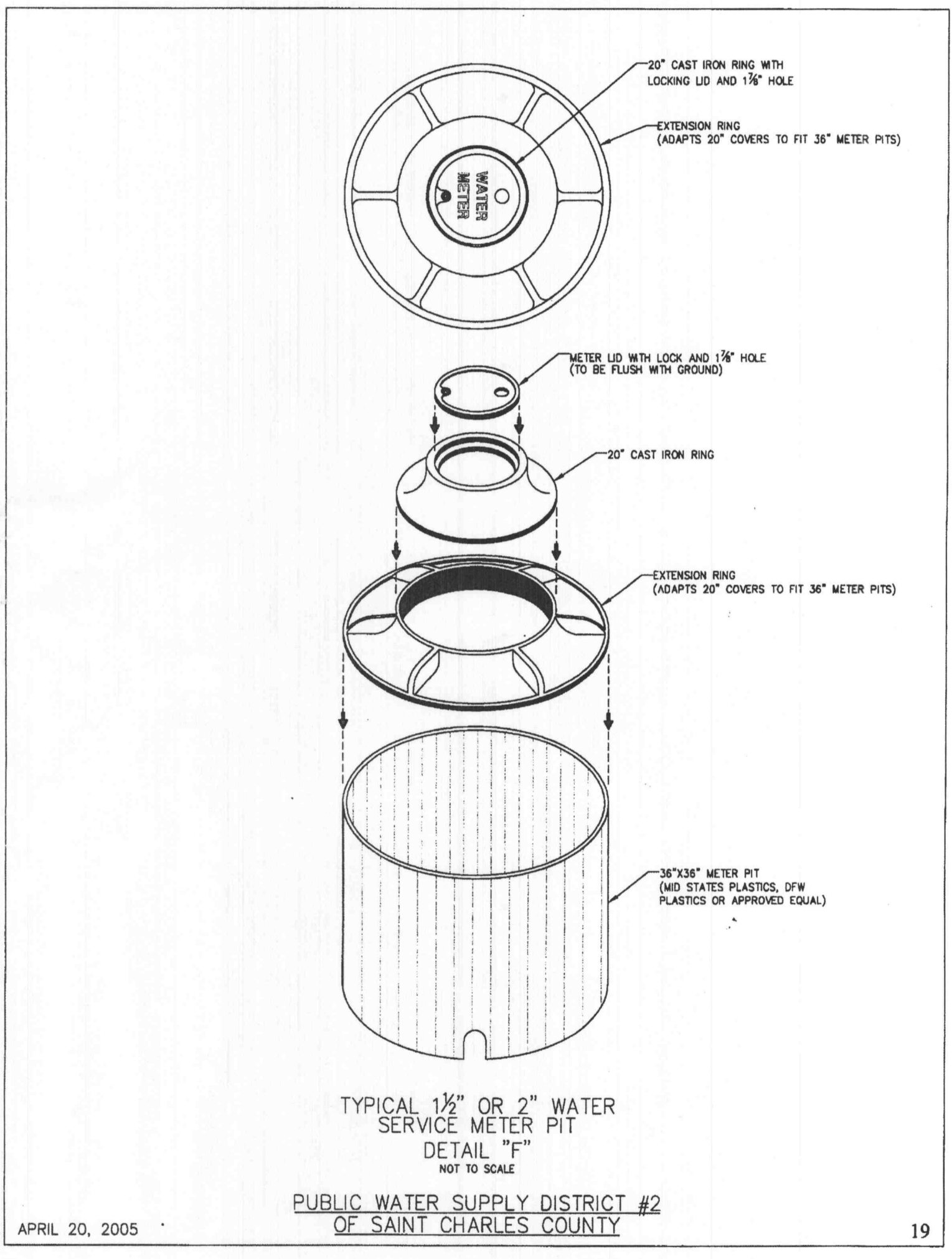


8" - 23 LB FOR CENTER SUPPORT OF 6" OR 8" GRATE INLET

DETAILS OF INLET FRAME AND GRATES

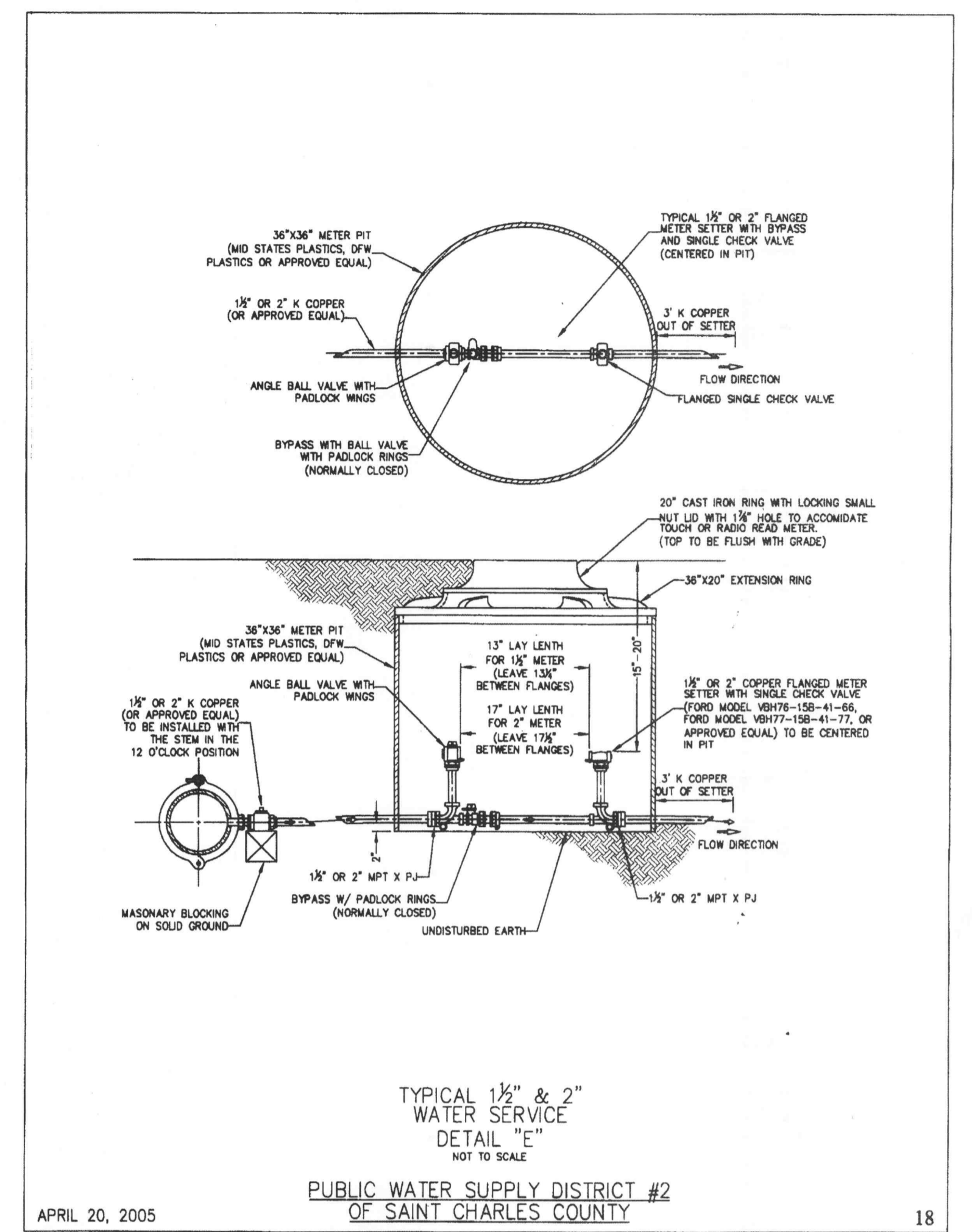


MODULAR BLOCK CONCRETE RETAINING WALL (RETAINING WALL DESIGN BY OTHERS) NOT TO SCALE



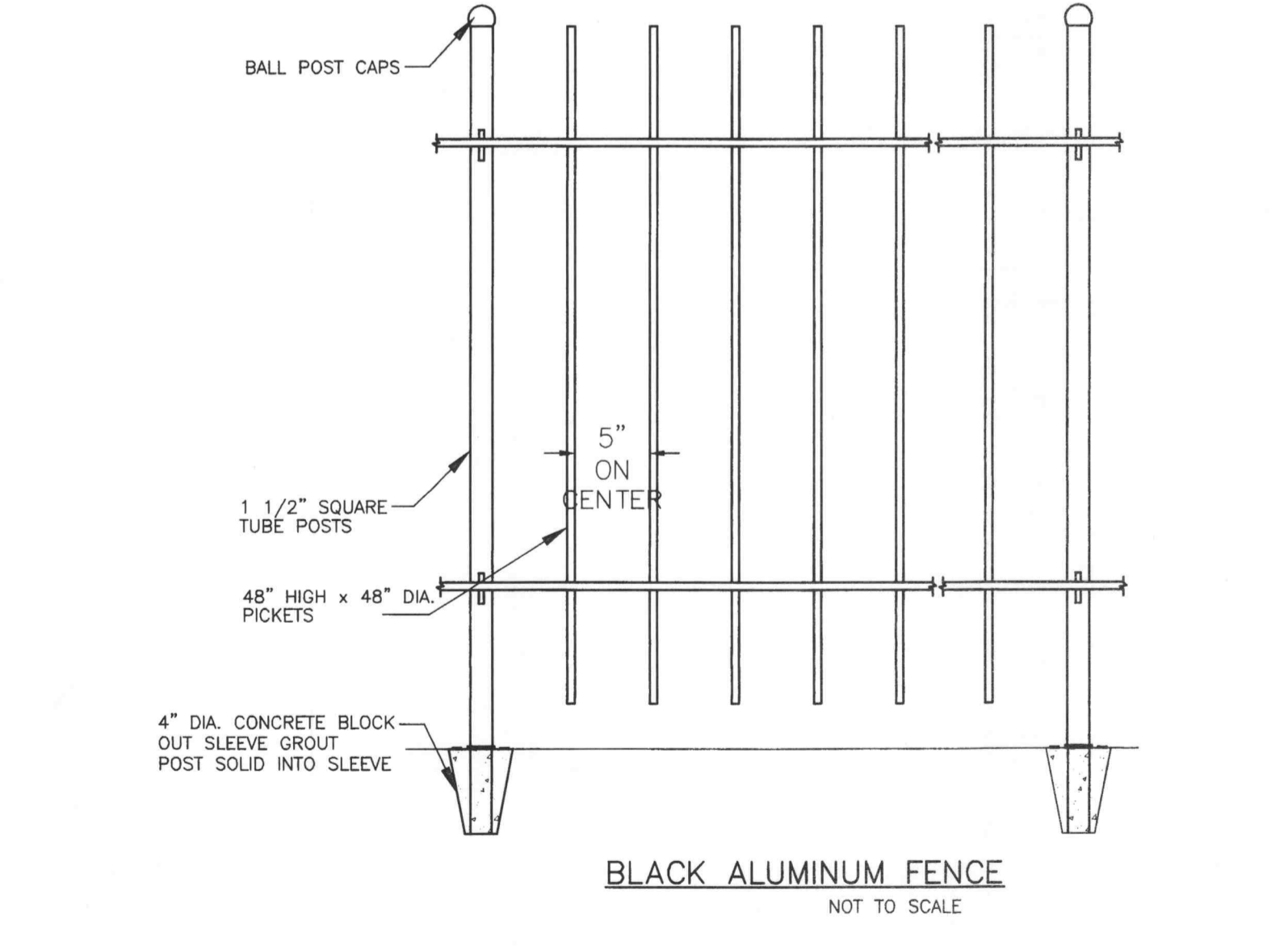
TYPICAL 1 1/2" OR 2" WATER SERVICE METER PIT DETAIL "F" NOT TO SCALE

PUBLIC WATER SUPPLY DISTRICT #2 OF SAINT CHARLES COUNTY



TYPICAL 1 1/2" & 2" WATER SERVICE DETAIL "E" NOT TO SCALE

PUBLIC WATER SUPPLY DISTRICT #2 OF SAINT CHARLES COUNTY



BLACK ALUMINUM FENCE NOT TO SCALE