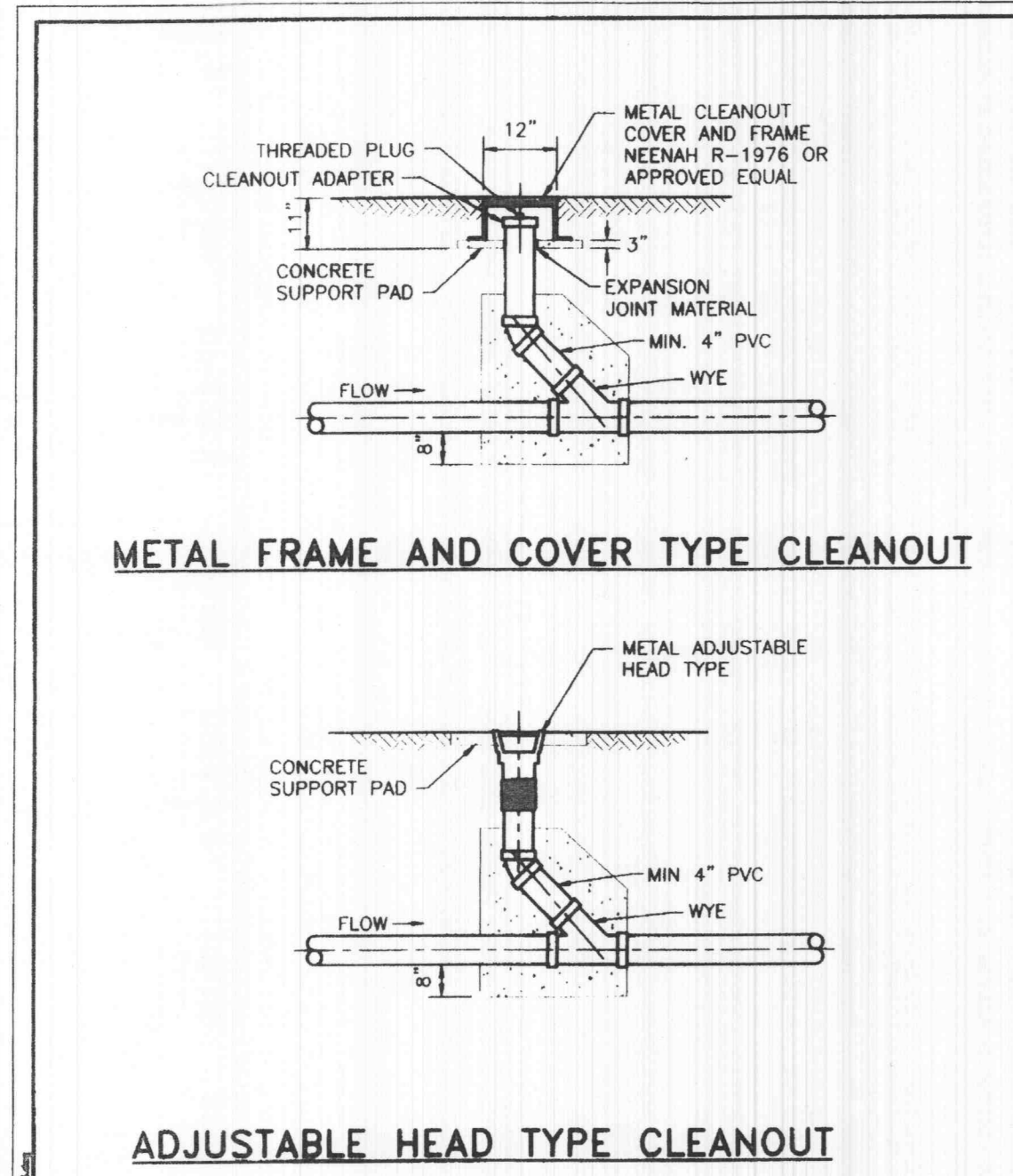


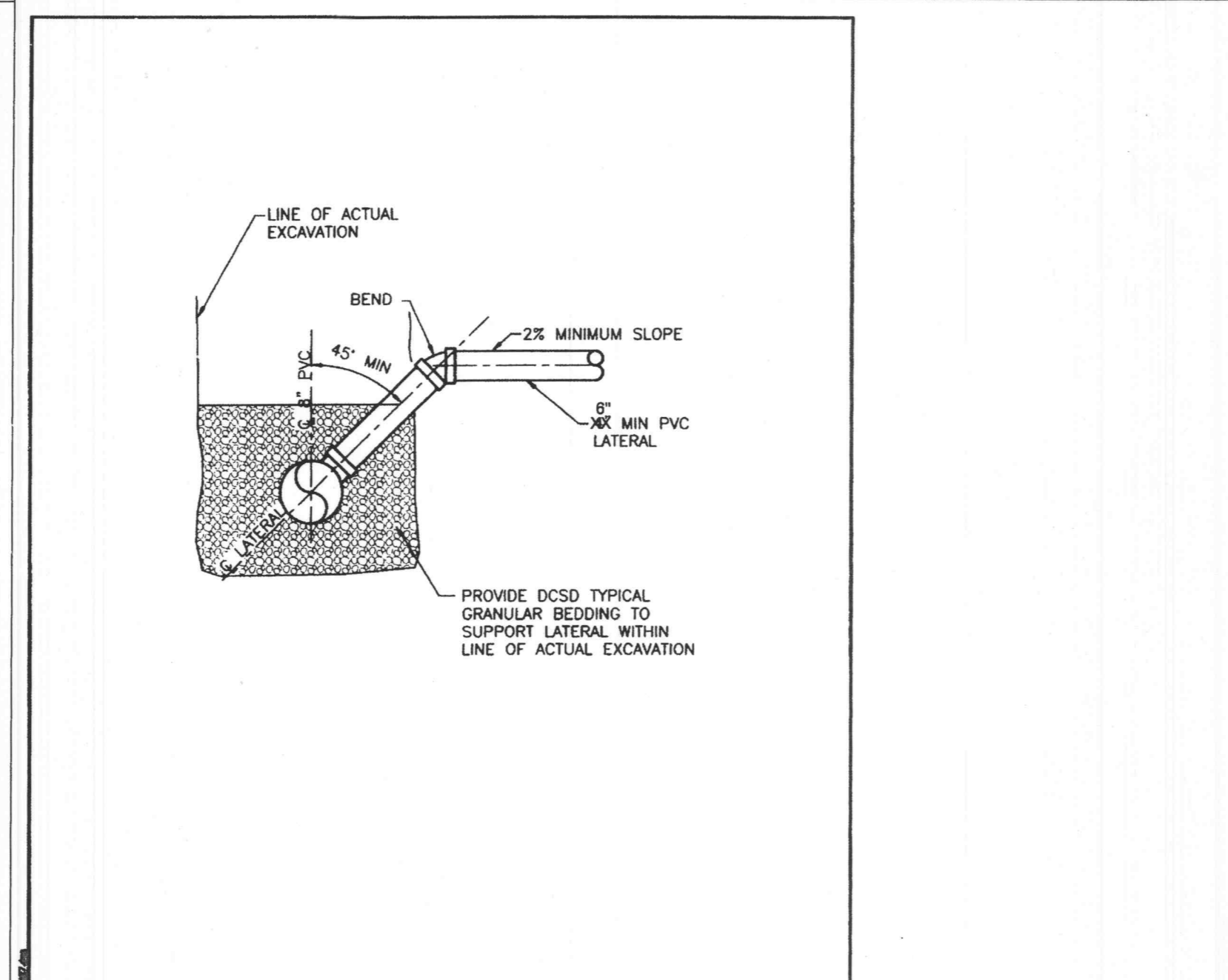
- REVISIONS:
 08-16-05 Duckett Comments
 08-16-05 PWSD #2 Comments
 08-16-05 Fire Department
 08-30-05 Per City Comments
 09-08-05 PWSD #2 Comments
 10-12-05 Per City Comments
 10-26-05 Meter Per Client
 11-22-05 MoDOT Comments
 11-28-05 MoDOT Comments
 12-06-05 Fire Department
 12-07-05 Per City Comments
 12-15-05 Per City Comments
 06-20-06 Fence Per Client



METAL FRAME AND COVER TYPE CLEANOUT

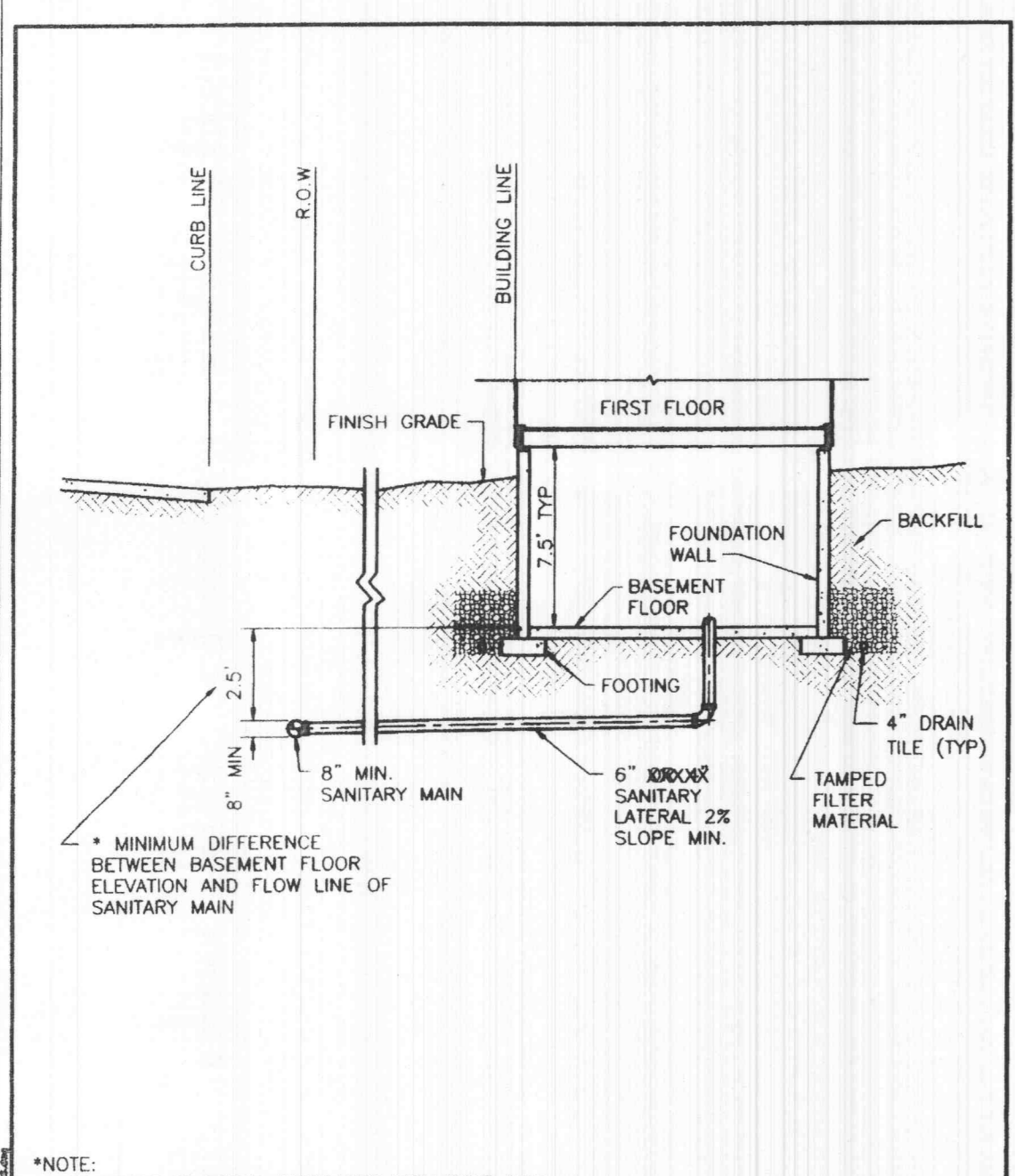
ADJUSTABLE HEAD TYPE CLEANOUT

Duckett Creek Sanitary District			
TYPICAL SEWER LATERAL CLEANOUT DETAILS	Rev. No. BSM	App. No. KLA	Detail No. 25
	Rev. No. MDOB	App. No. 1-8-01	



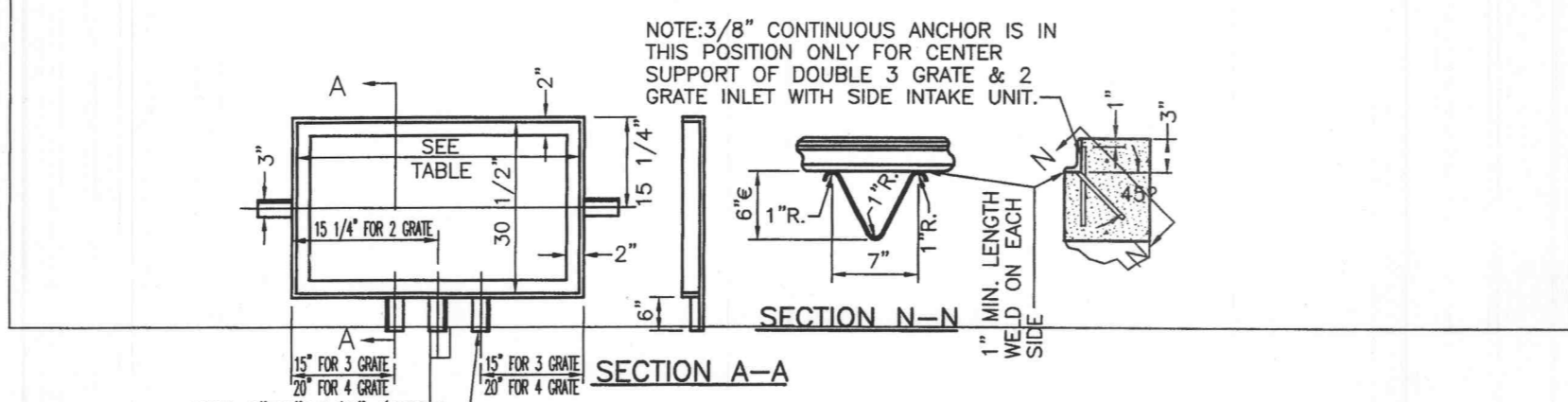
Duckett Creek Sanitary District

SANITARY SEWER LATERAL RISER DETAIL			
Rev. No. BSM	App. No. KLA	Detail No. 27	
Rev. No. MDOB	App. No. 1-9-01		

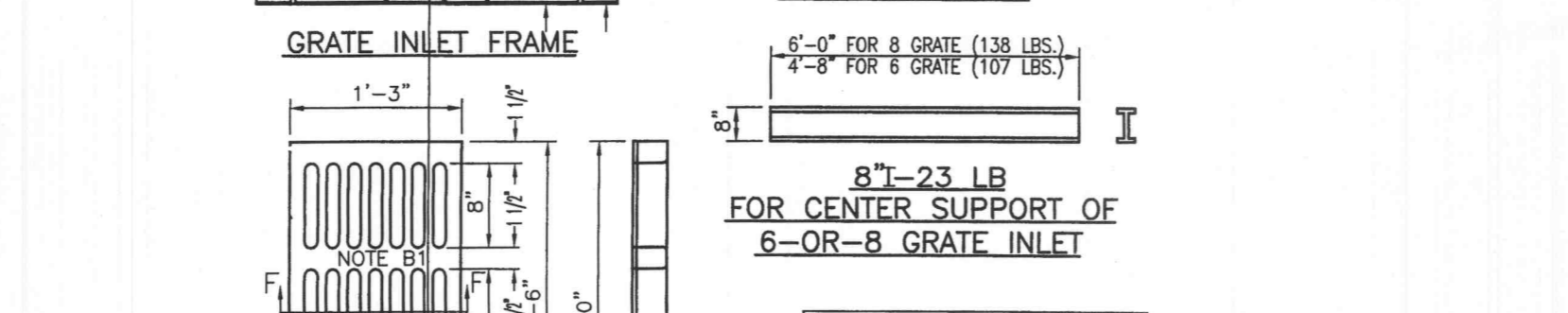


Duckett Creek Sanitary District

TYPICAL SANITARY SEWER LATERAL PROFILE			
Rev. No. BSM	App. No. KLA	Detail No. 26	
Rev. No. MDOB	App. No. 1-9-01		



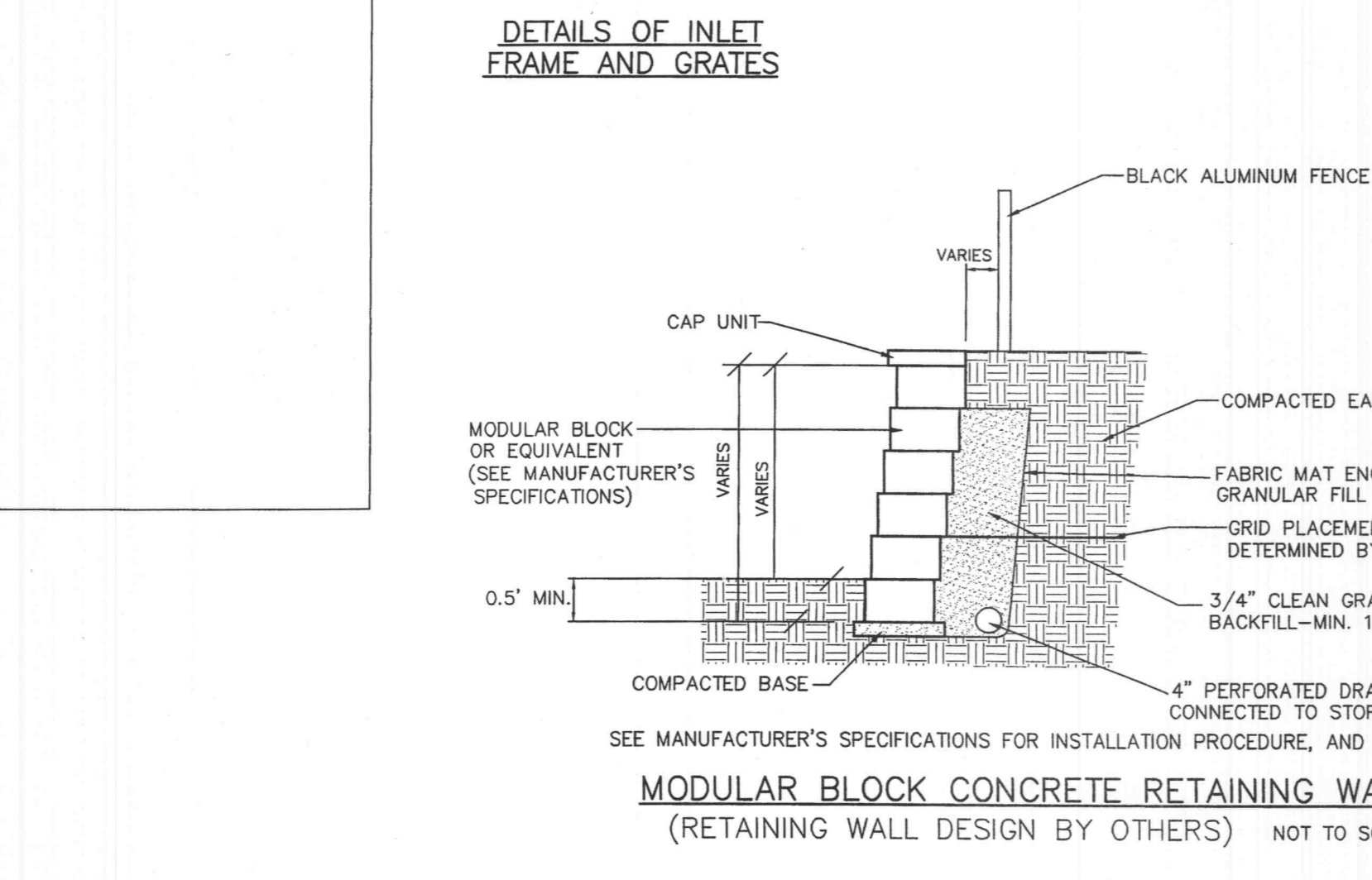
DETAIL OF CONTINUOUS ANCHOR FOR ANGLE SEAT



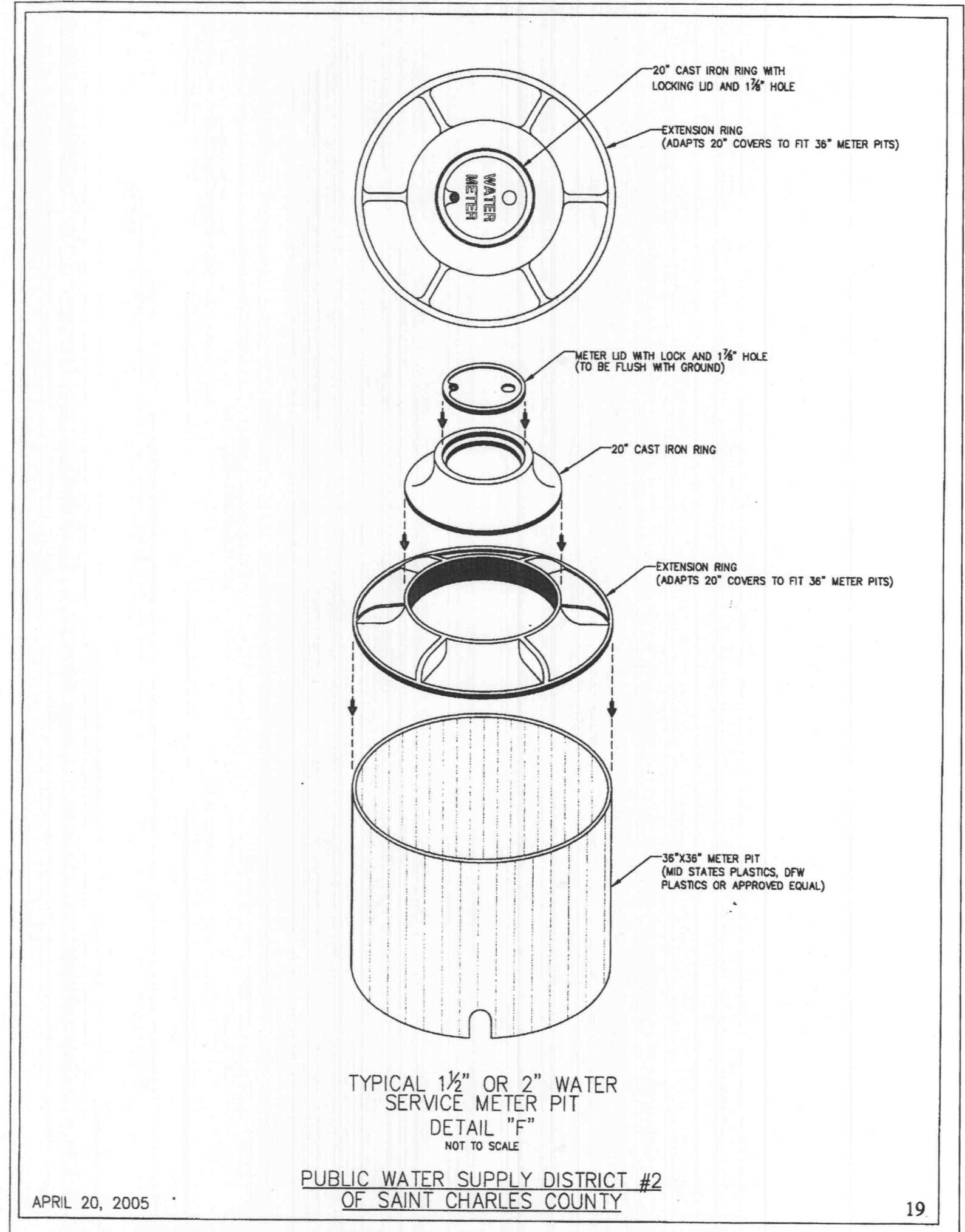
DETAILS OF INLET FRAME AND GRATES

TABLE FOR SIZE OF FRAMES	
2 GRATE	= 30 1/2" X 30 1/2"
3 GRATE	= 30 1/2" X 45 1/2"
4 GRATE	= 30 1/2" X 60 1/2"

NOTE B: PROVIDE 1/8" RAISED LETTERING APPROX. 3/4" TO 1" HIGH.
 B1: METRO ST. LOUIS
 B2: SEWER DIST. SEWERS
 MATERIAL: CAST GRAY IRON ASTM A48 CLASS 35B COATING SPEC. PER MSD SPEC. (0-01" COLD TAR)
 CAST IRON GRATE (NF-41164 OR EQUAL)



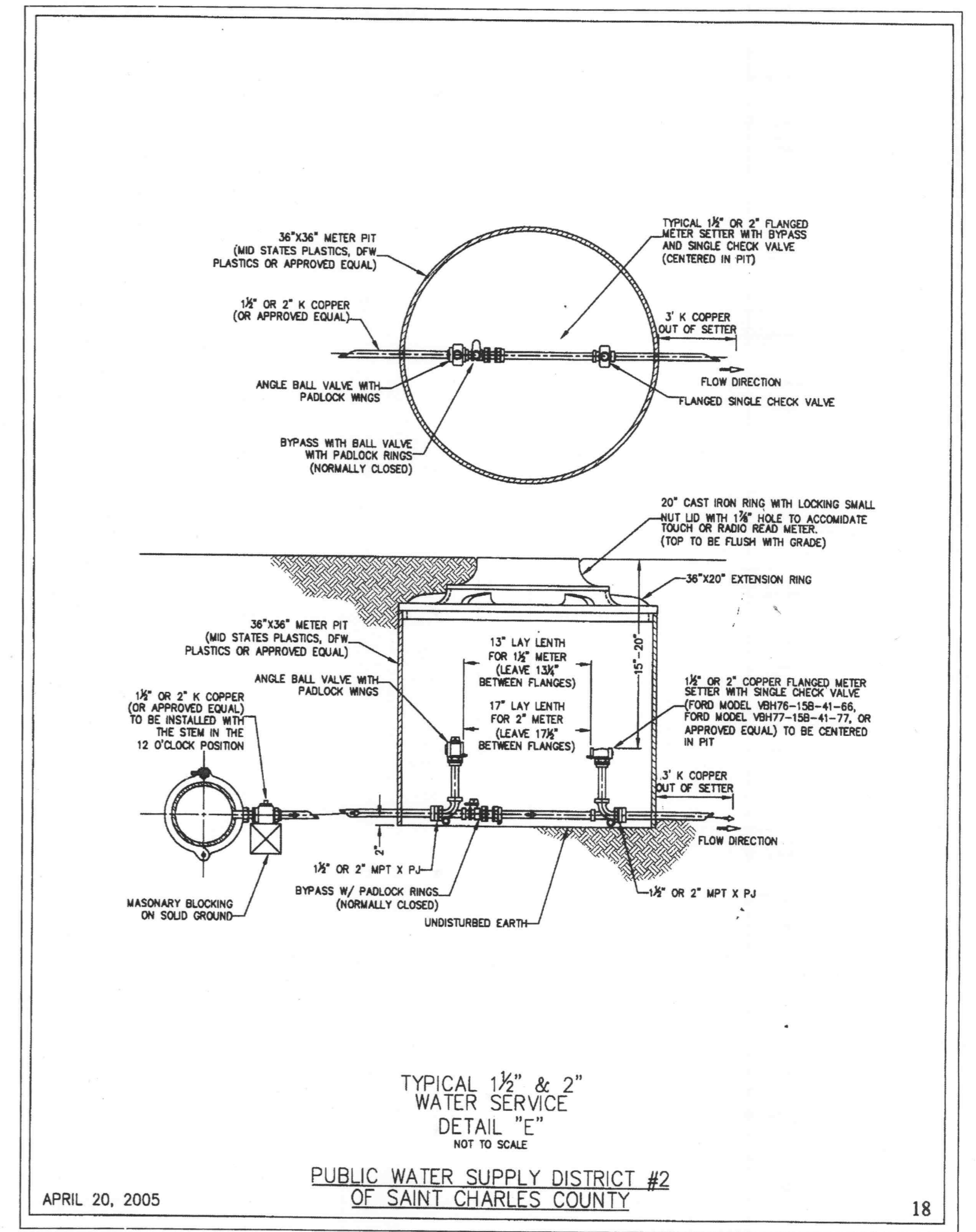
MODULAR BLOCK CONCRETE RETAINING WALL (RETAINING WALL DESIGN BY OTHERS) NOT TO SCALE



TYPICAL 1 1/2" OR 2" WATER SERVICE METER PIT DETAIL "F" NOT TO SCALE
 PUBLIC WATER SUPPLY DISTRICT #2 OF SAINT CHARLES COUNTY

APRIL 20, 2005

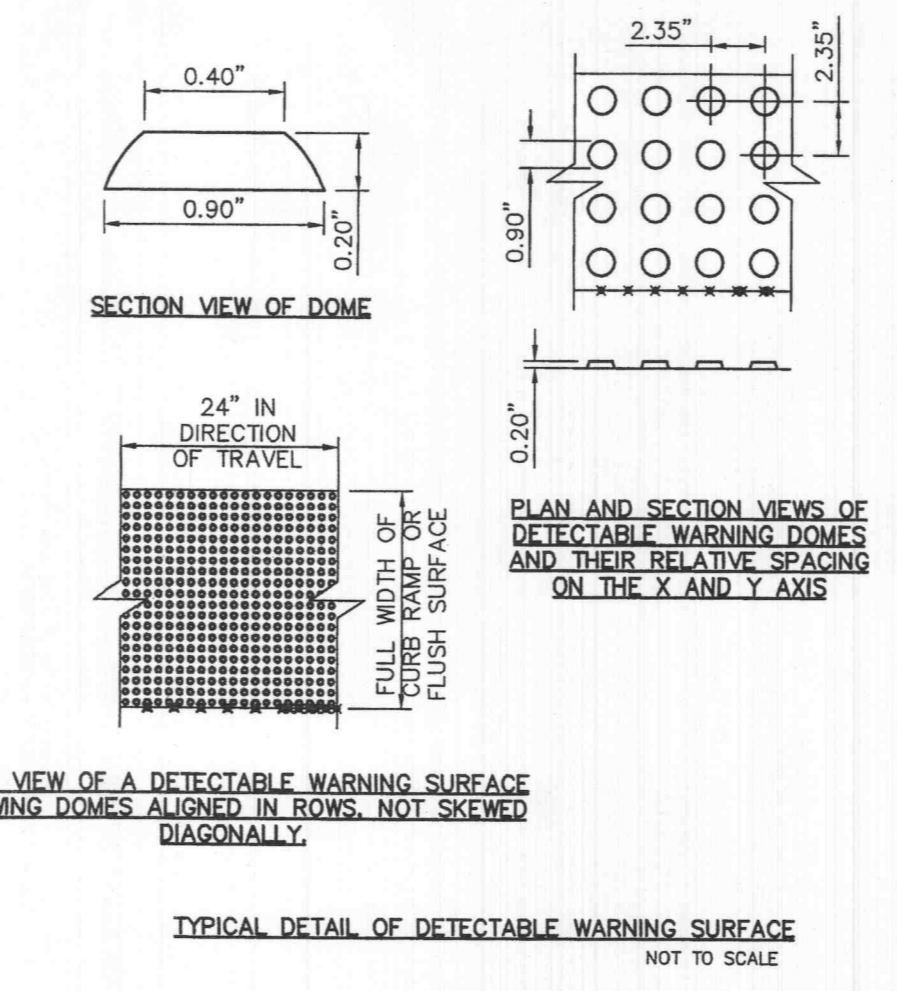
19



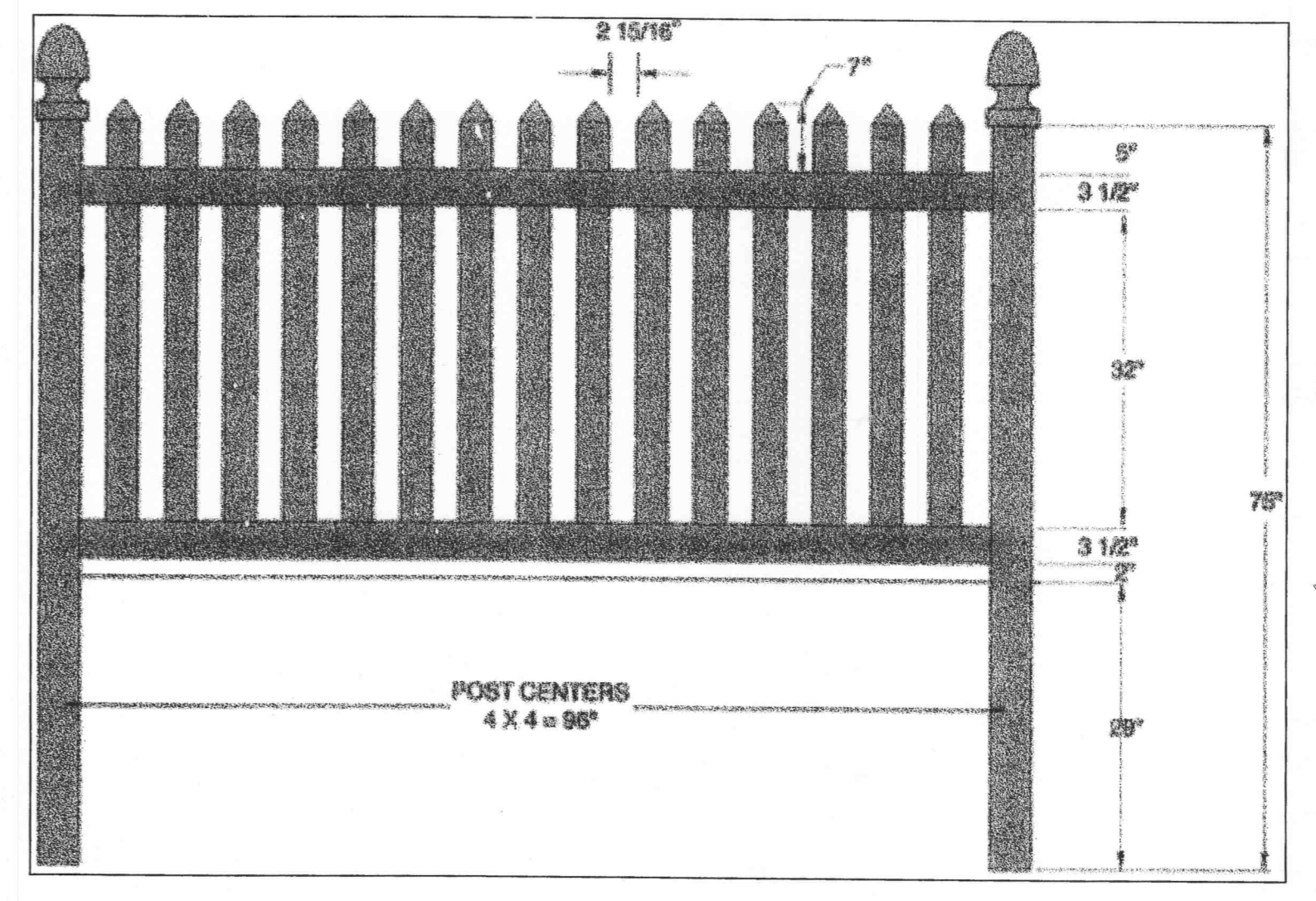
TYPICAL 1 1/2" & 2" WATER SERVICE METER PIT DETAIL "E" NOT TO SCALE
 PUBLIC WATER SUPPLY DISTRICT #2 OF SAINT CHARLES COUNTY

APRIL 20, 2005

18



TYPICAL DETAIL OF DETECTABLE WARNING SURFACE NOT TO SCALE



VINYL PICKET FENCE

**NOT TO SCALE - ACTUAL STYLE MAY VARY