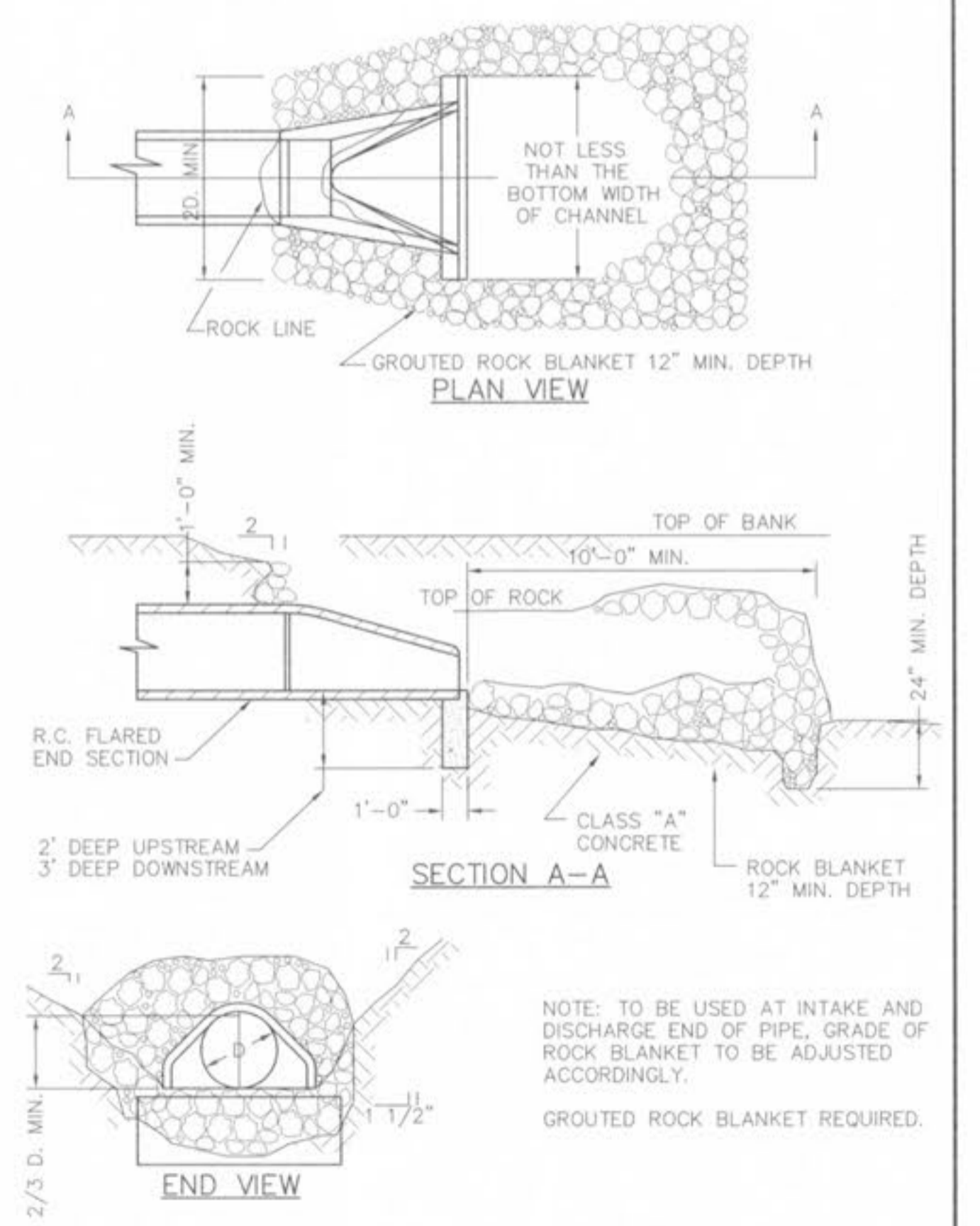
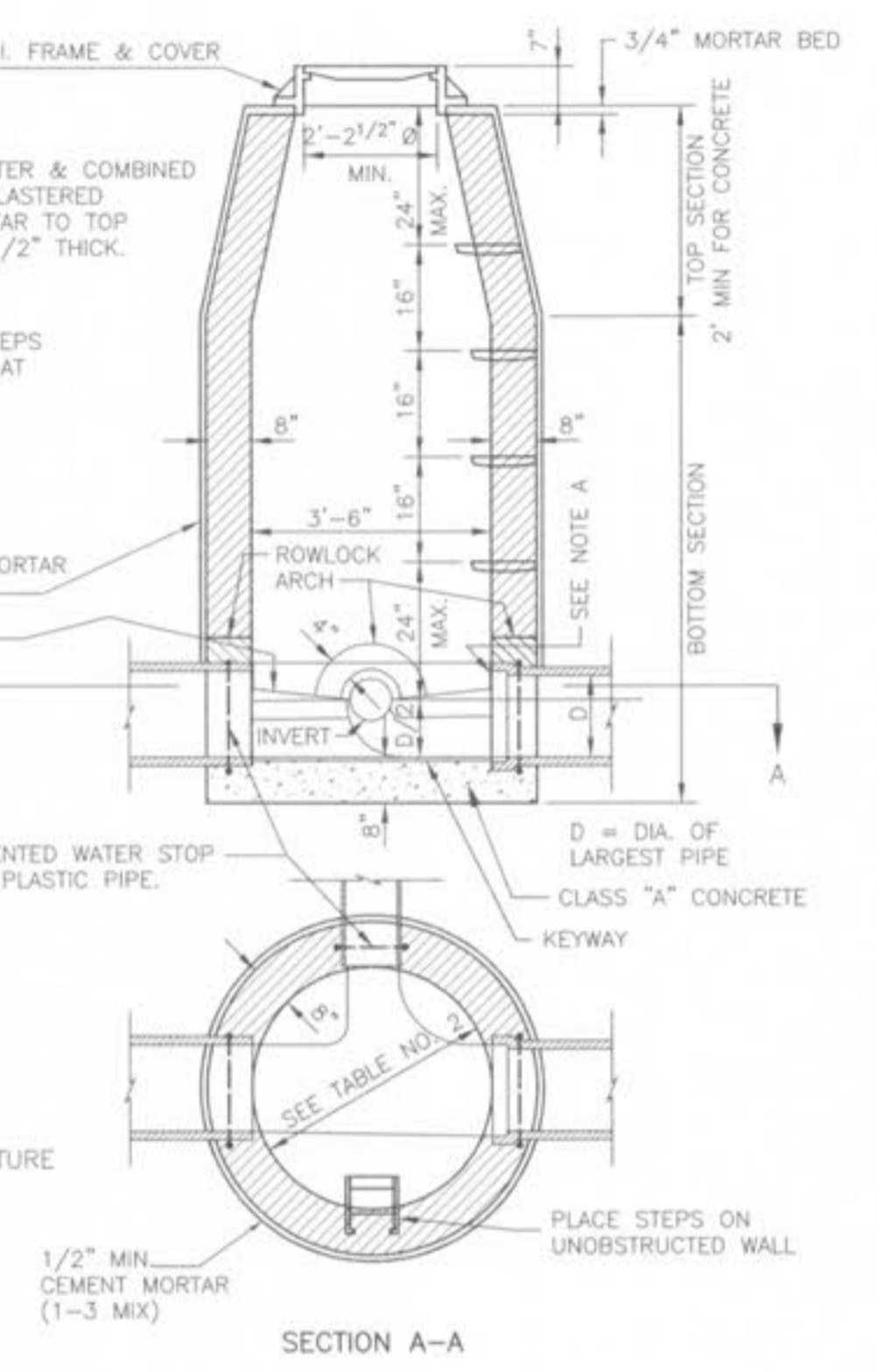
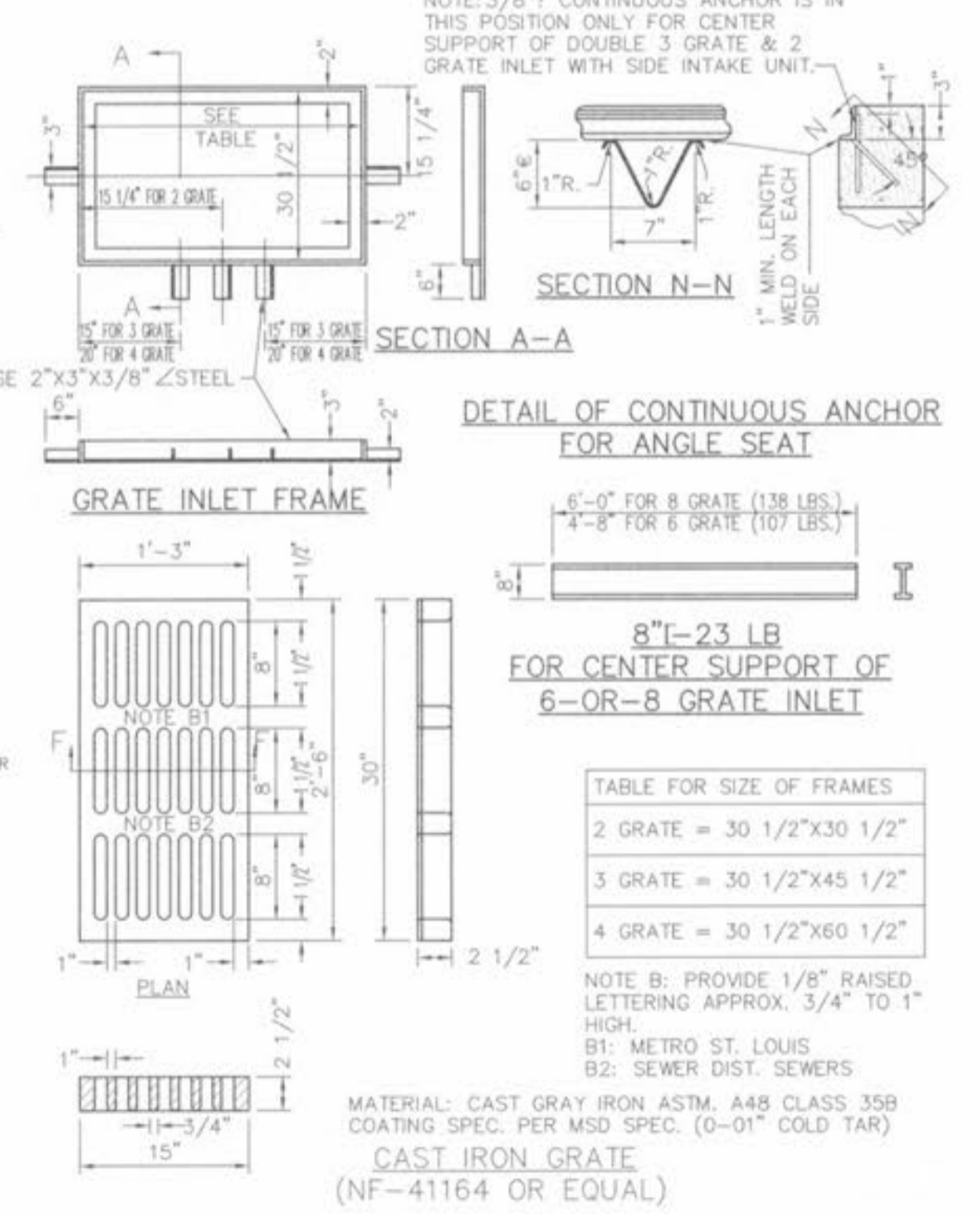
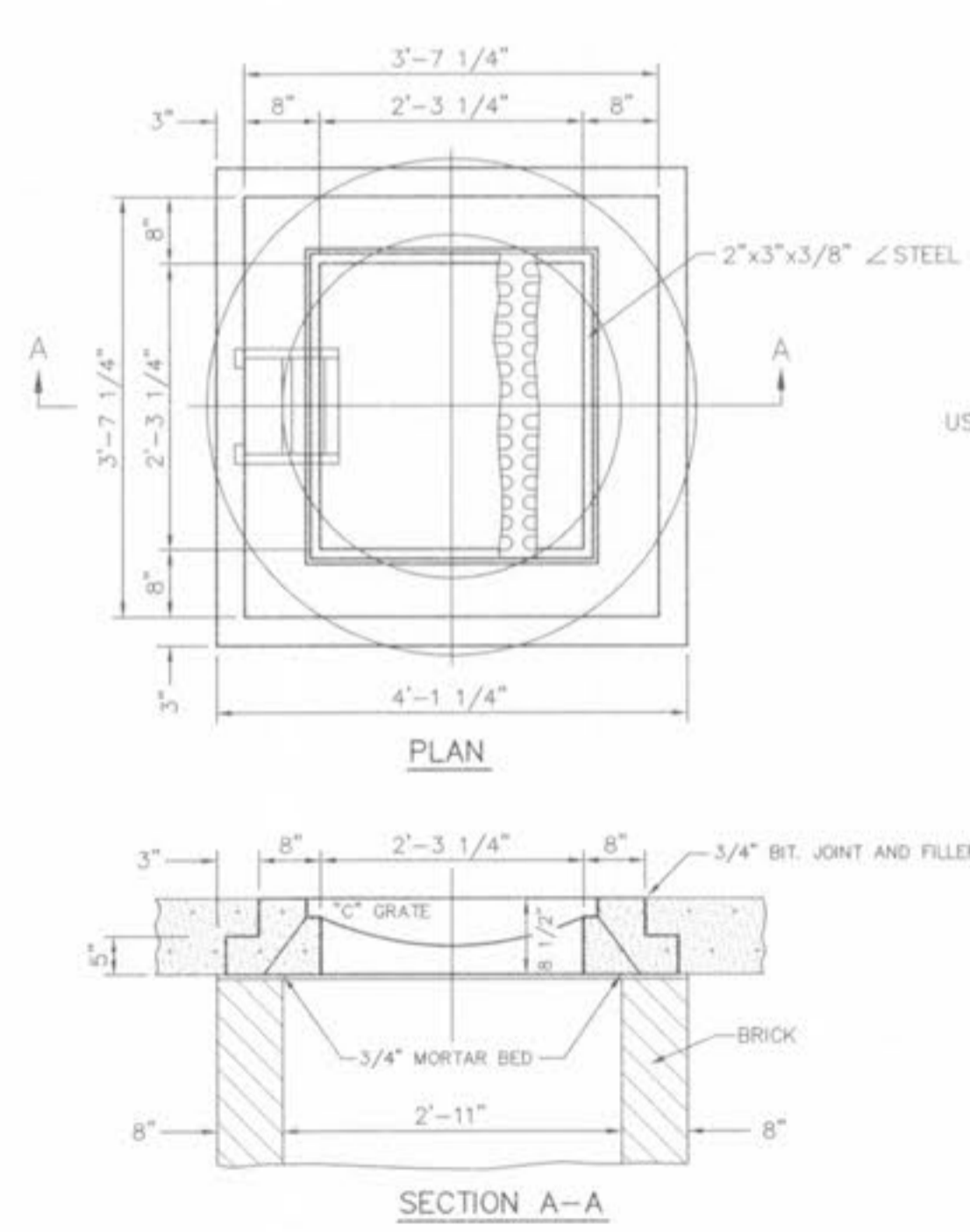
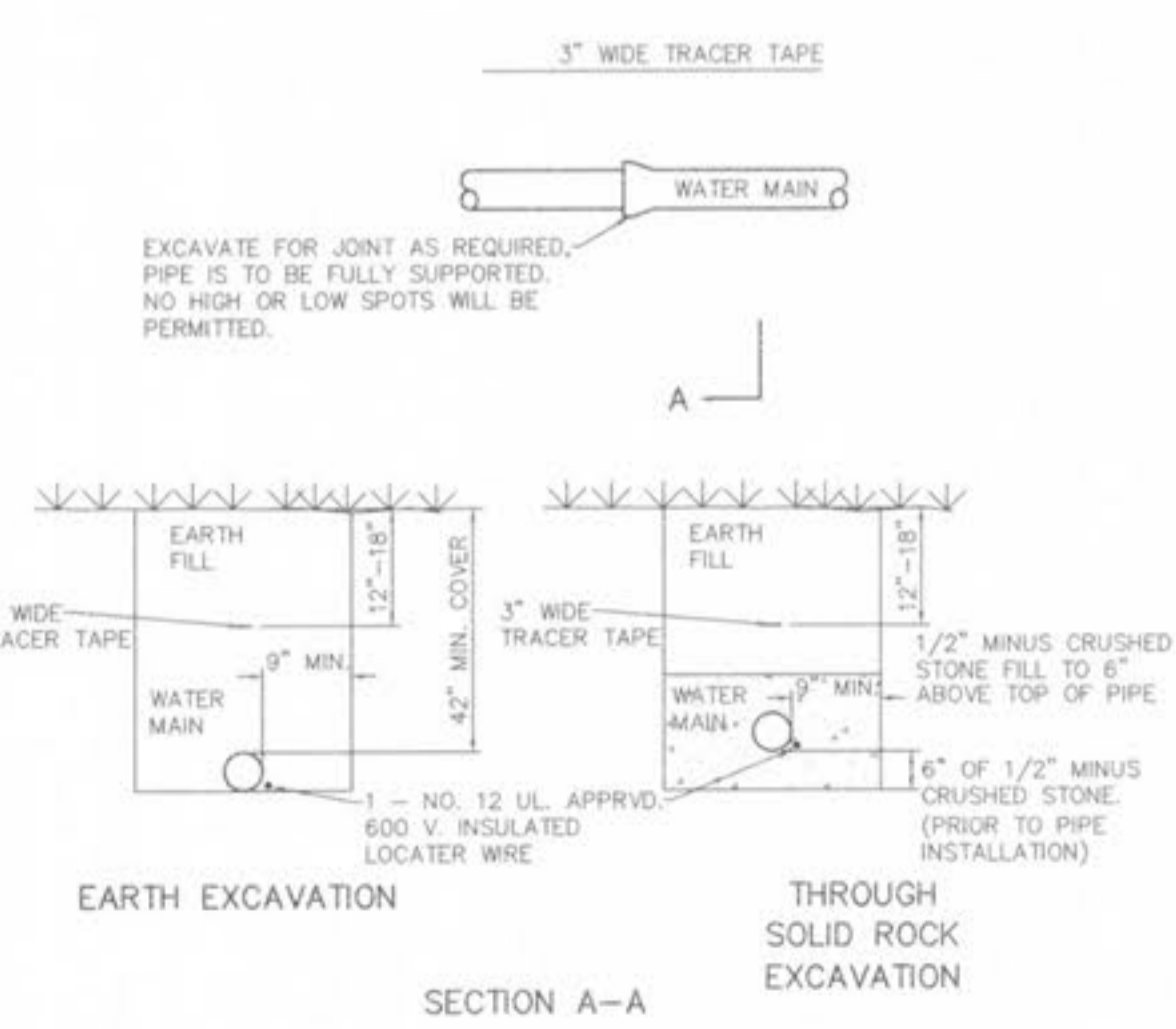
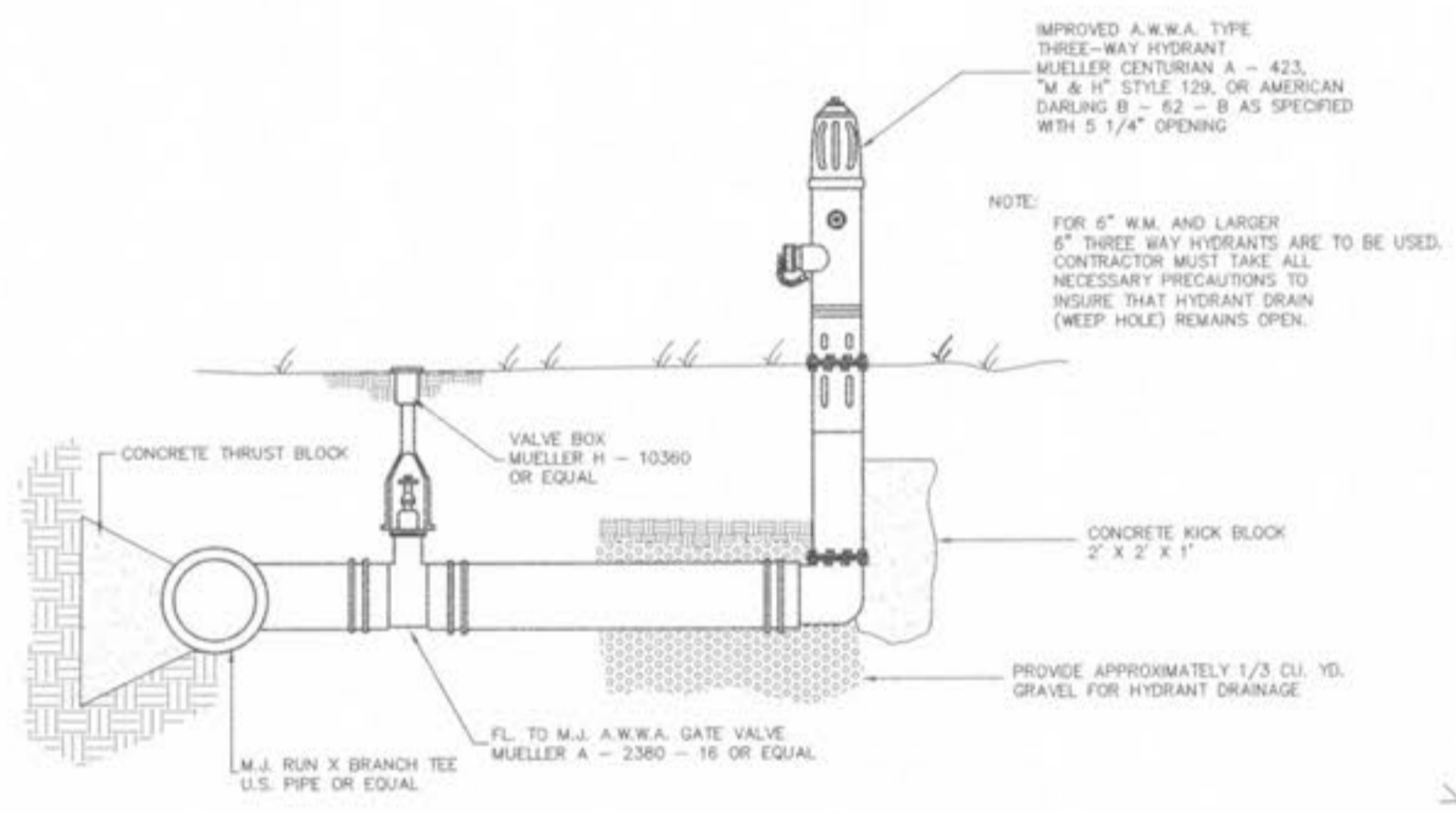


BAX PROJECT NAME : FRED WEBER ASPHALT PLANT  
 BAX PROJECT NO. : 84-1628G  
 DESIGN DATE : 11-1-07  
 DESIGNED BY : CAL  
 SUBMITTED: 11-2-07 FILENAME: 1628G

UPP STR	LOW STR	L	DIA	UPPER FL LN	LOWER FL LN	PS	UPPER ST EL	DEPTH HY GR	UPPER HY EL	LOWER HY EL	HYDR GRADE	FR HEAD	VEL	JUNC LOSS	TURN LOSS	CURVE LOSS	STR GRADE	INL CAP	DR AREA	P1	Q	TQ	PIPE CAP	REMARKS	
G1104	MR103	75	18	561.30	560.77	0.97	565.00	1.83	563.17	562.27	-0.0690	0.52	4.95	0.38	0.22	0.22	0.00	0.00	0.00	0.00	0.00	0.00	8.74	10.33	1
MR103	MR102	168	18	560.57	558.93	0.98	568.00	6.19	561.81	560.43	-0.0690	1.16	4.95	0.38	0.22	0.22	0.00	0.00	0.00	0.00	0.00	0.00	8.74	10.39	2
MR102	MR101	337	18	558.73	554.62	1.22	570.51	10.82	559.69*	556.12	-0.0690	2.34	4.95	0.38	0.23	0.23	0.00	0.00	0.00	0.00	0.00	0.00	8.74	11.59	3
MR101	FE100	26	18	554.42	553.58	3.21	557.86	2.48	555.38	555.08	-0.0690	0.18	4.95	0.38	0.12	0.12	0.00	0.00	0.00	0.00	0.00	0.00	8.74	18.82	4

\* INDICATES CRITICAL DEPTH



FLARED END SECTION

E:\DWG\1-2999\1628G-FRED WEBER ASPHALT PLANT\ASPHALT PLANT\1628G-constr.dwg, STORM DETAILS (0), 6/27/2008 1:30:32 PM, Sta. 36 SWR