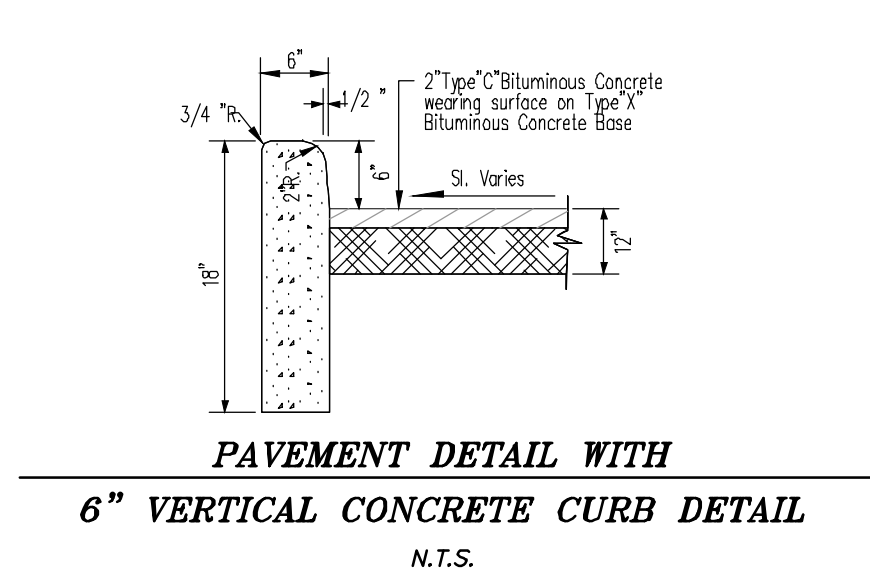
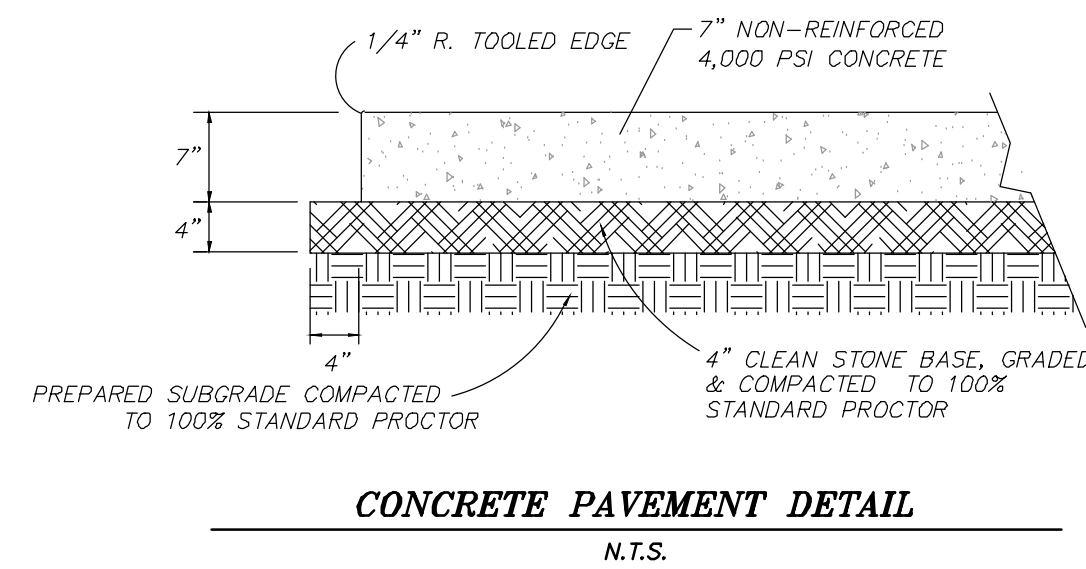


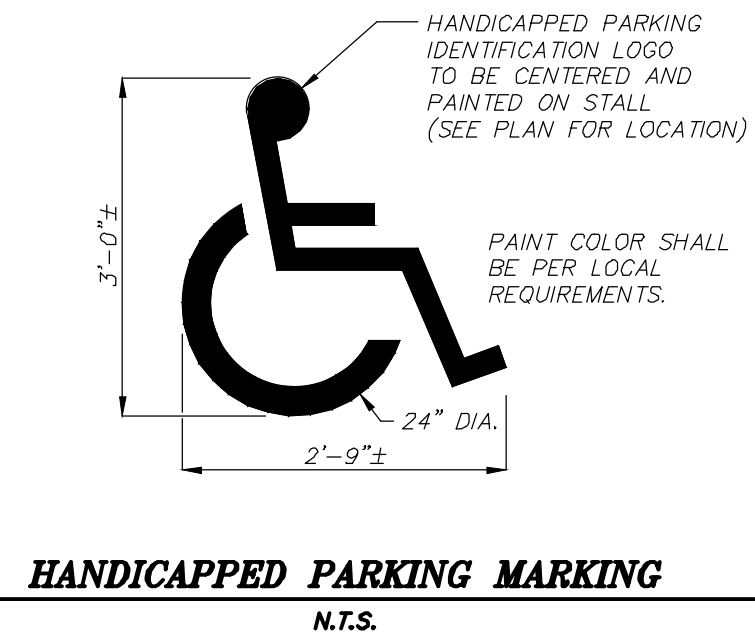
ADA PARKING DIMENSION
N.T.S.



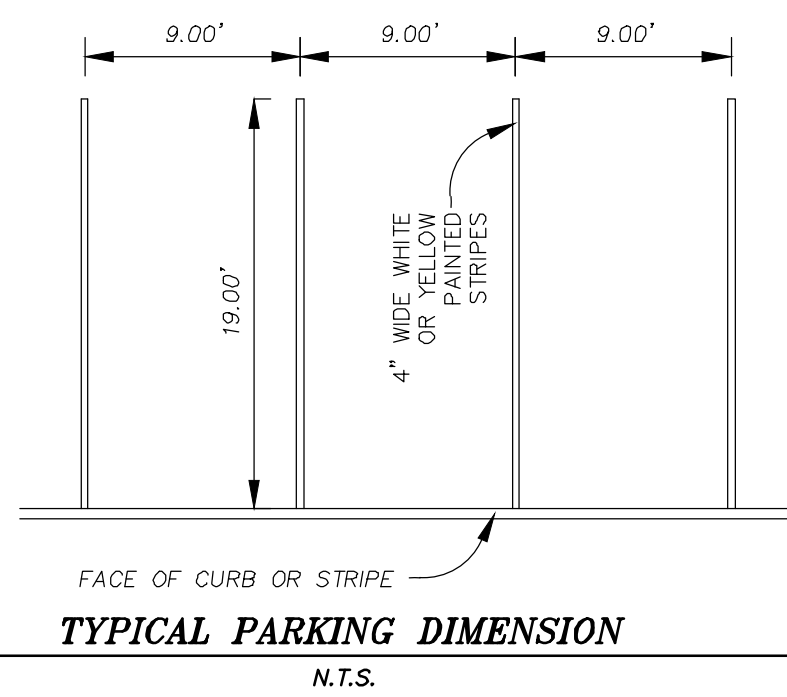
PAVEMENT DETAIL WITH
6" VERTICAL CONCRETE CURB DETAIL
N.T.S.



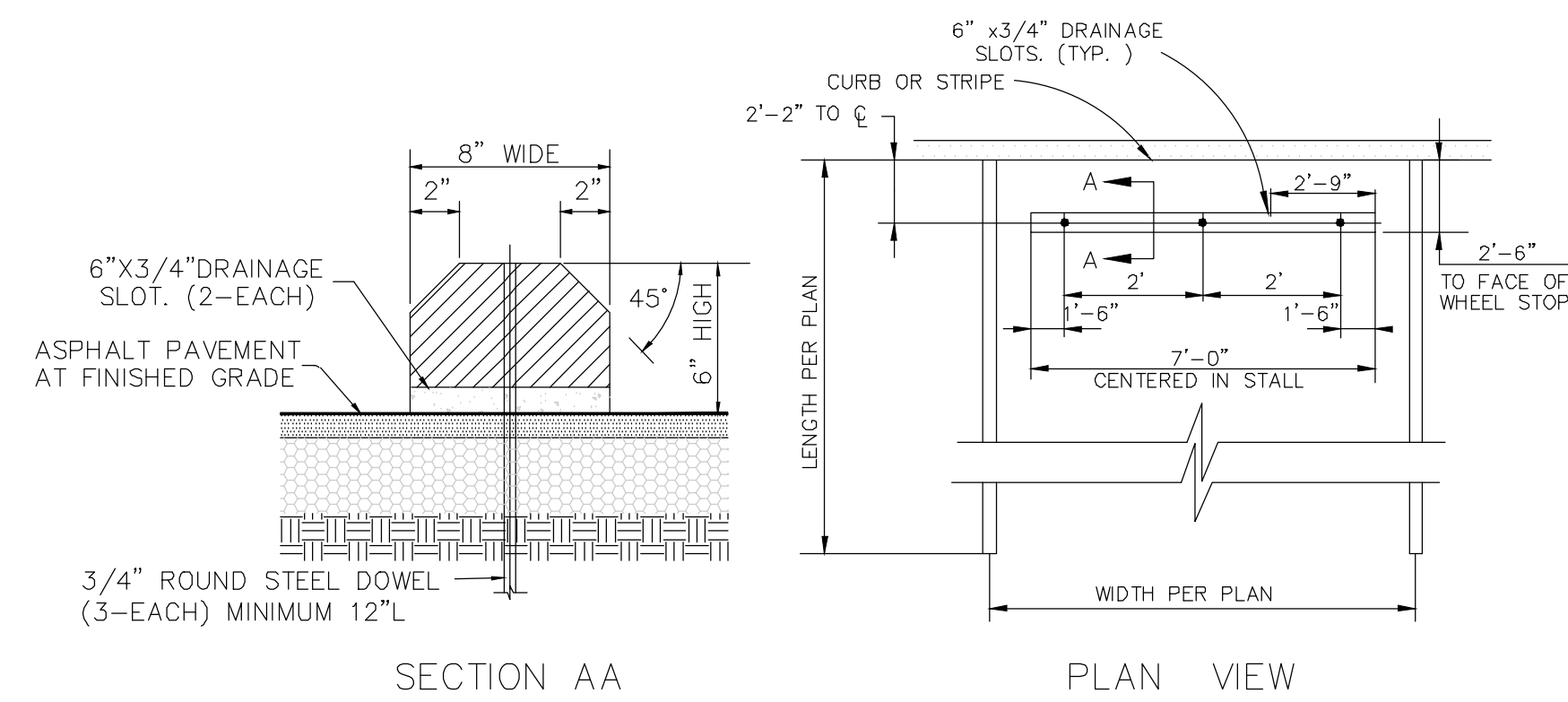
CONCRETE PAVEMENT DETAIL
N.T.S.



HANDICAPPED PARKING MARKING
N.T.S.

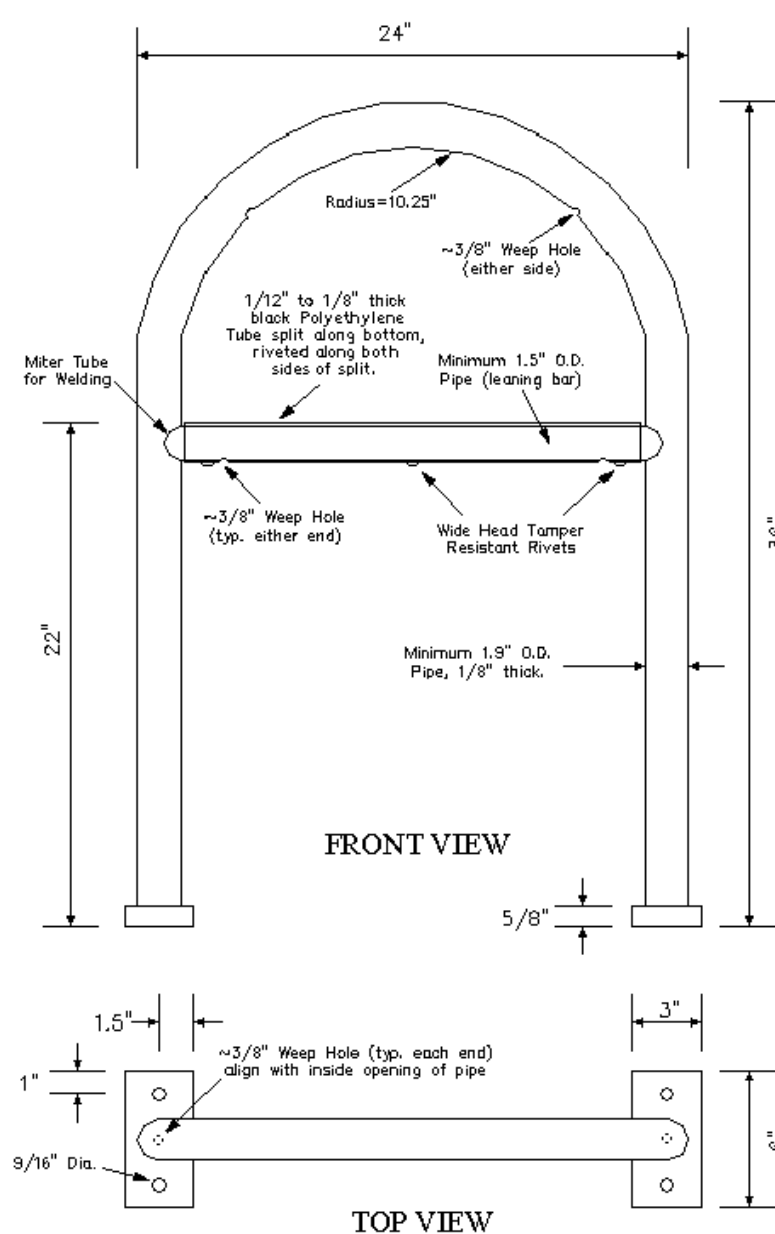


TYPICAL PARKING DIMENSION
N.T.S.

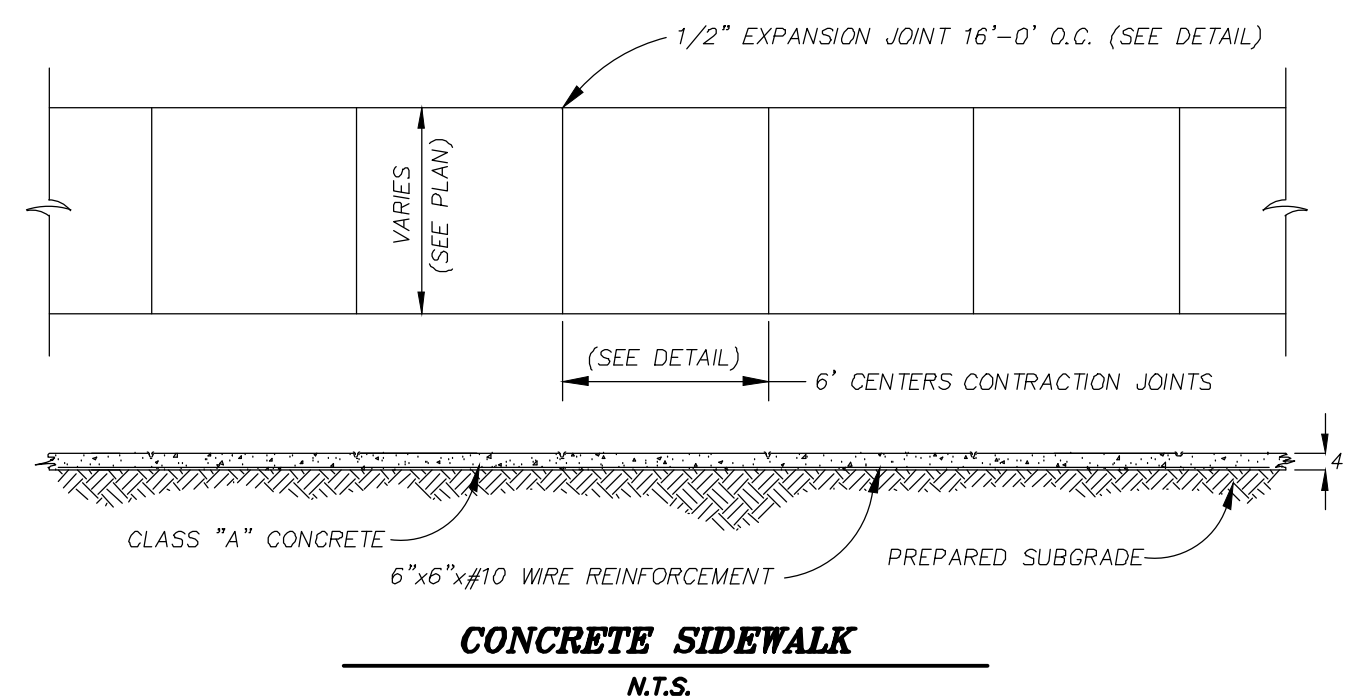


WHEEL STOP DETAIL
N.T.S.

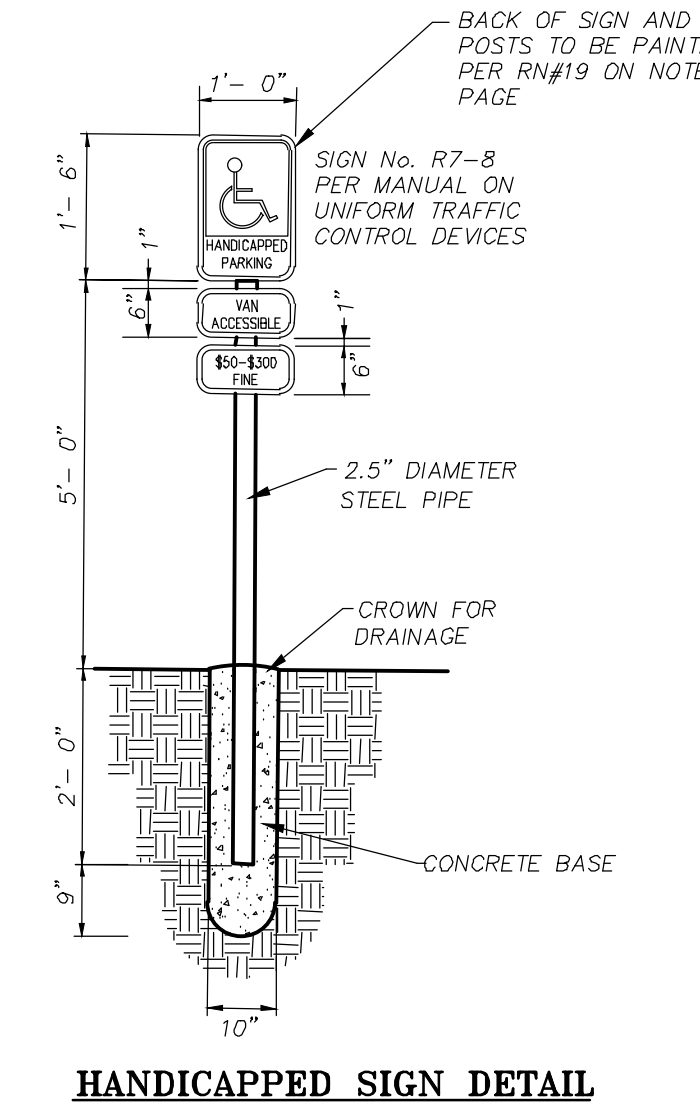
"INVERTED U" BIKE RACK



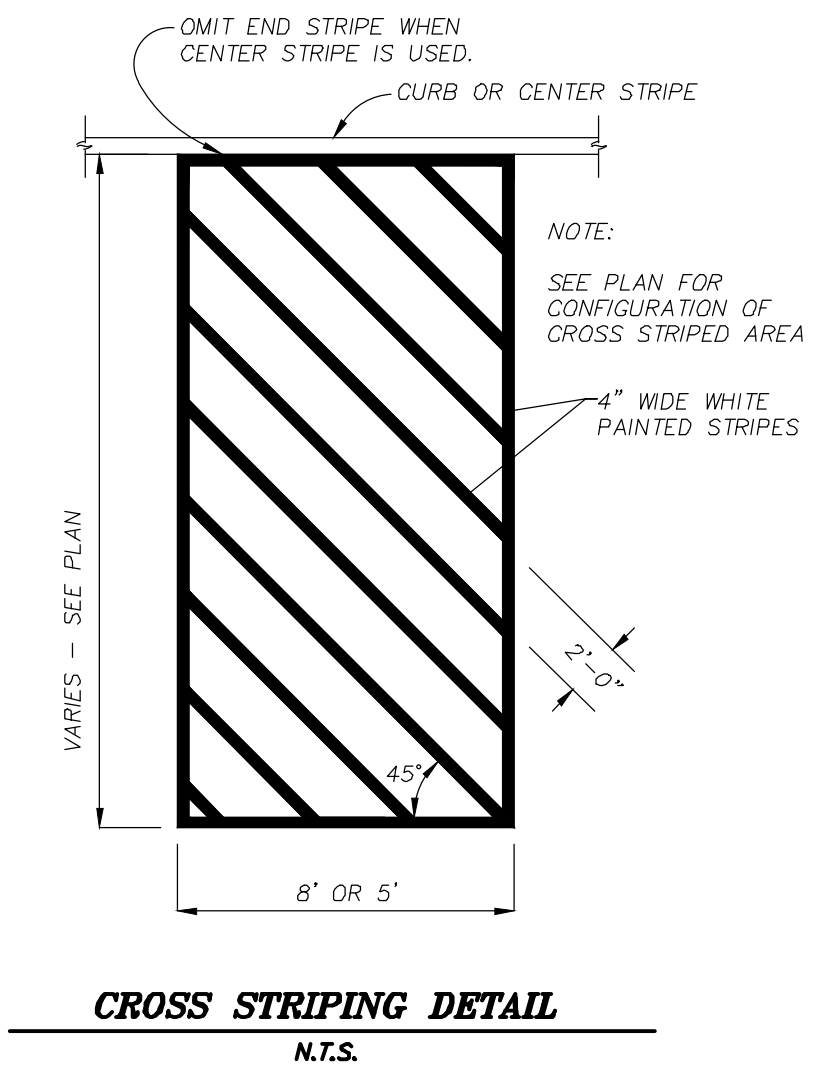
BIKE RACK DETAIL
OR EQUIVALENT



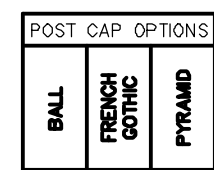
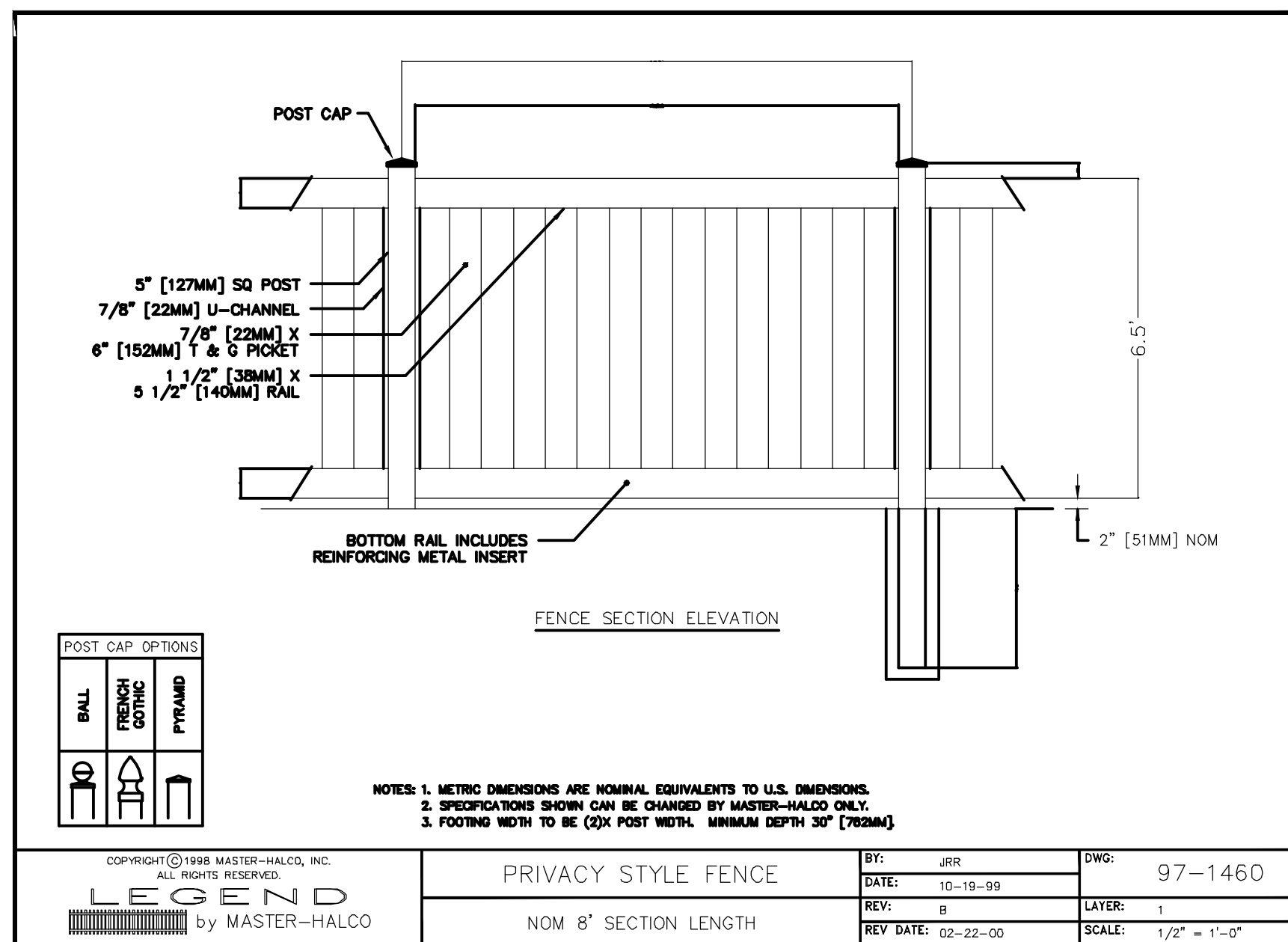
CONCRETE SIDEWALK
N.T.S.



HANDICAPPED SIGN DETAIL

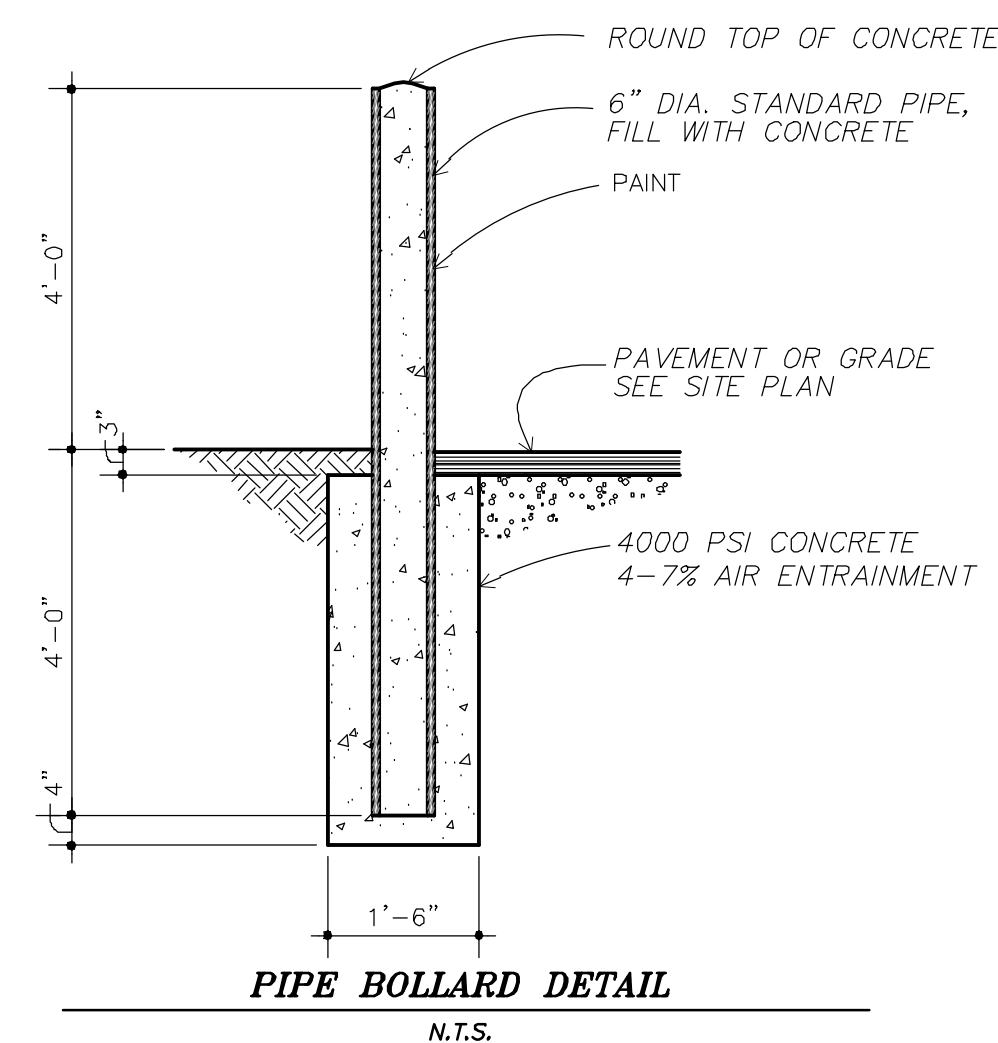


CROSS STRIPING DETAIL
N.T.S.



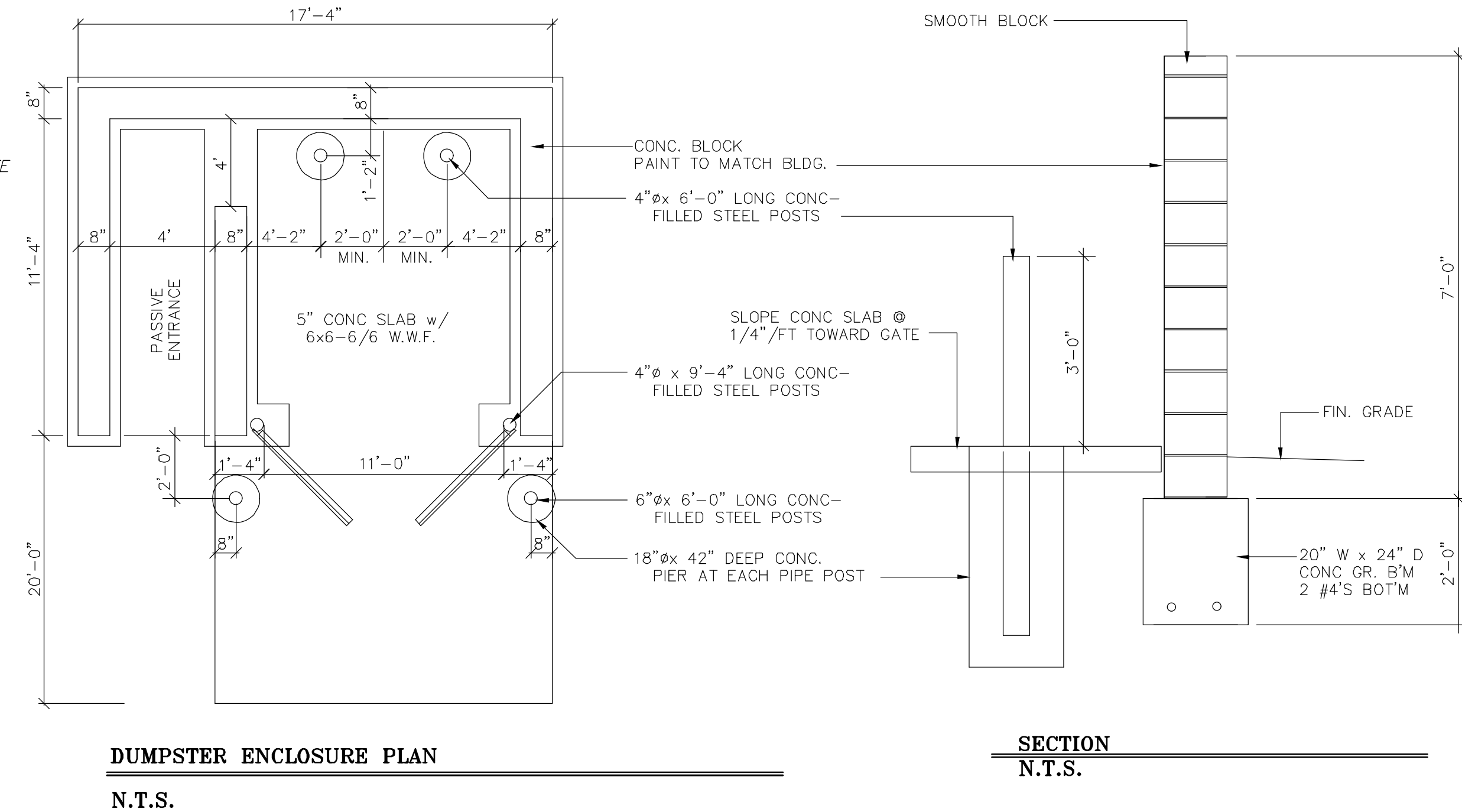
NOTES: 1. METRIC DIMENSIONS ARE NOMINAL EQUIVALENTS TO U.S. DIMENSIONS.
2. SPECIFICATIONS SHOWN CAN BE CHANGED BY MASTER-HALCO ONLY.
3. FOOTING WIDTH TO BE (2X) POST WIDTH. MINIMUM DEPTH 30" (762MM)

COPYRIGHT © 1998 MASTER-HALCO, INC. LEGEND BY MASTER-HALCO	PRIVACY STYLE FENCE NOM 8' SECTION LENGTH	BY: JRR DATE: 10-19-99 REV: B REV DATE: 02-22-00	DWG: 97-1460 LAYER: 1 SCALE: 1/2" = 1'-0"
---	--	---	---



PIPE BOLLARD DETAIL
N.T.S.

FOR REVIEW PURPOSES ONLY. REFER TO ARCHITECTURAL PLANS FOR ACTUAL DETAIL OF TRASH ENCLOSURE TO BE CONSTRUCTED



DUMPSTER ENCLOSURE PLAN
N.T.S.

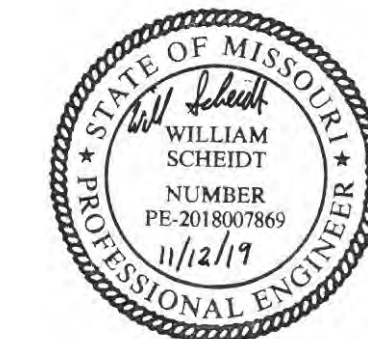
SECTION
N.T.S.

PROJECT TITLE
SITE PLAN
FRONTIER INTEGRATED HEALTH
CENTER, INC

St. Peters
22 Richmond Center Court
St. Peters, MO 65276
Phone (636) 397-1211
Fax (636) 397-1104
www.prs.com

Pickett
Ray & Silver
Civil Engineering
& Land Surveying
Beyond Standard

ENGINEERS AUTHENTICATION
THE RESPONSIBILITY FOR PROFESSIONAL ENGINEERING LIABILITY ON THIS PROJECT IS SOLELY DEVOLVED TO THE SET OF PLANS AUTHORIZED BY THE SEAL, SIGNATURE, AND DATE HEREON ATTACHED. RESPONSIBILITY IS NOT ASSUMED FOR ALL OTHER ENGINEERING PLANS INVOLVED IN THIS PROJECT AND SPECIFICALLY EXCLUDED HEREON AFTER THIS DATE, UNLESS REAUTHENTICATED.
PICKETT, RAY & SILVER, INC. MO LICENSE #0026



WILL SCHREIDT, P.E.
PROFESSIONAL ENGINEER LICENSE 2018007869

Developer / Owner Information

RJO Enterprises Inc.
2011 Highway K
O'Fallon, Missouri 63366

P+Z No. 19-000007
City No. 19-002258

DETAILS
Page No. 11 of 14