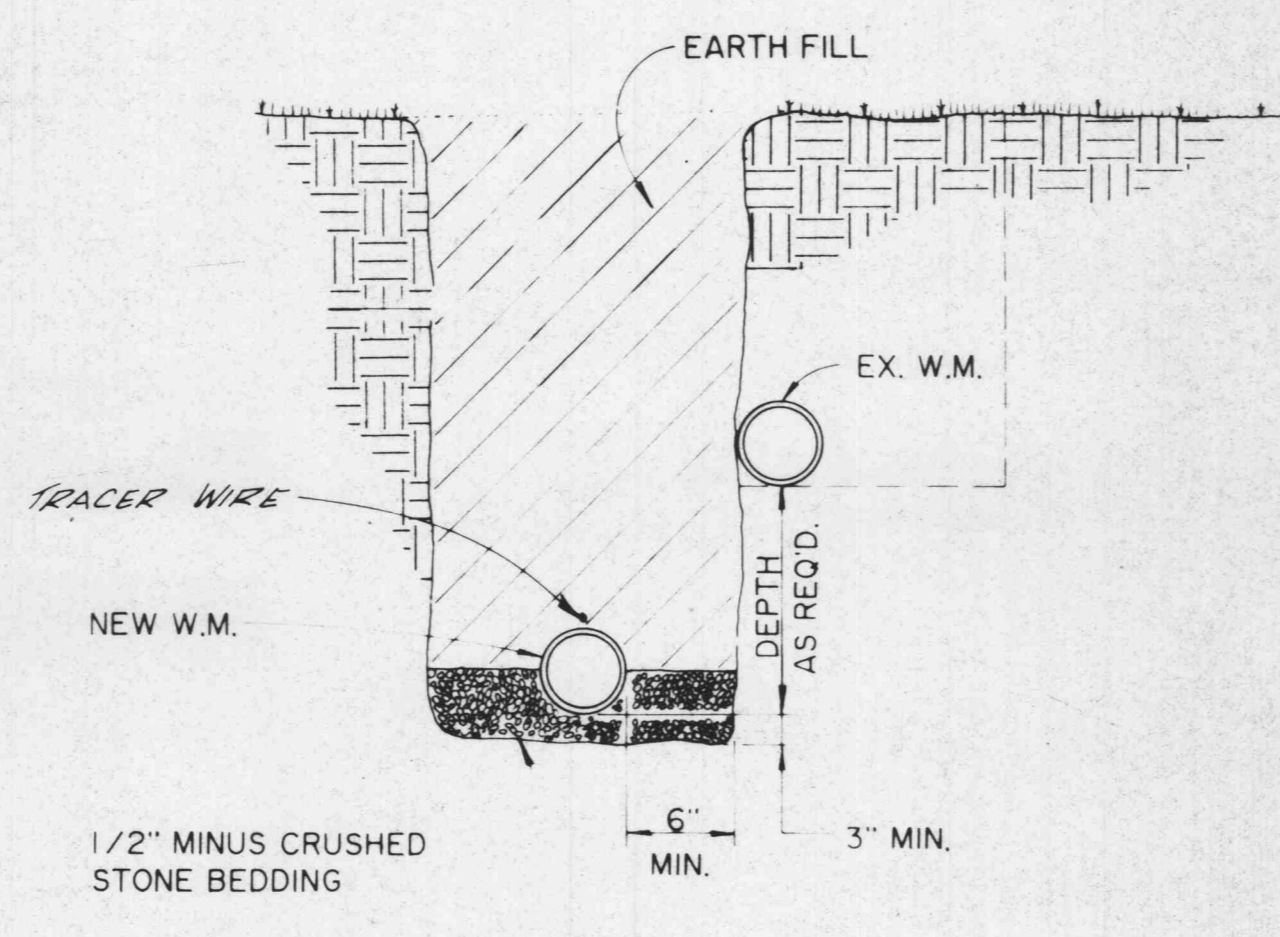
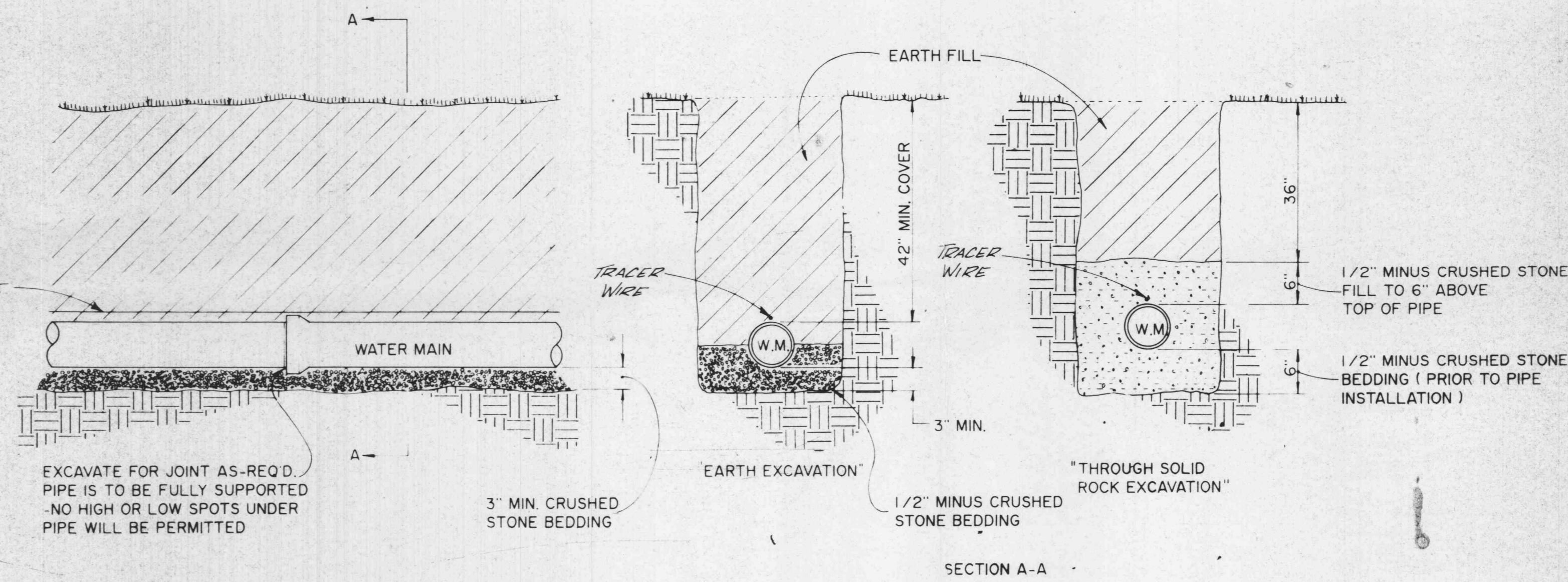


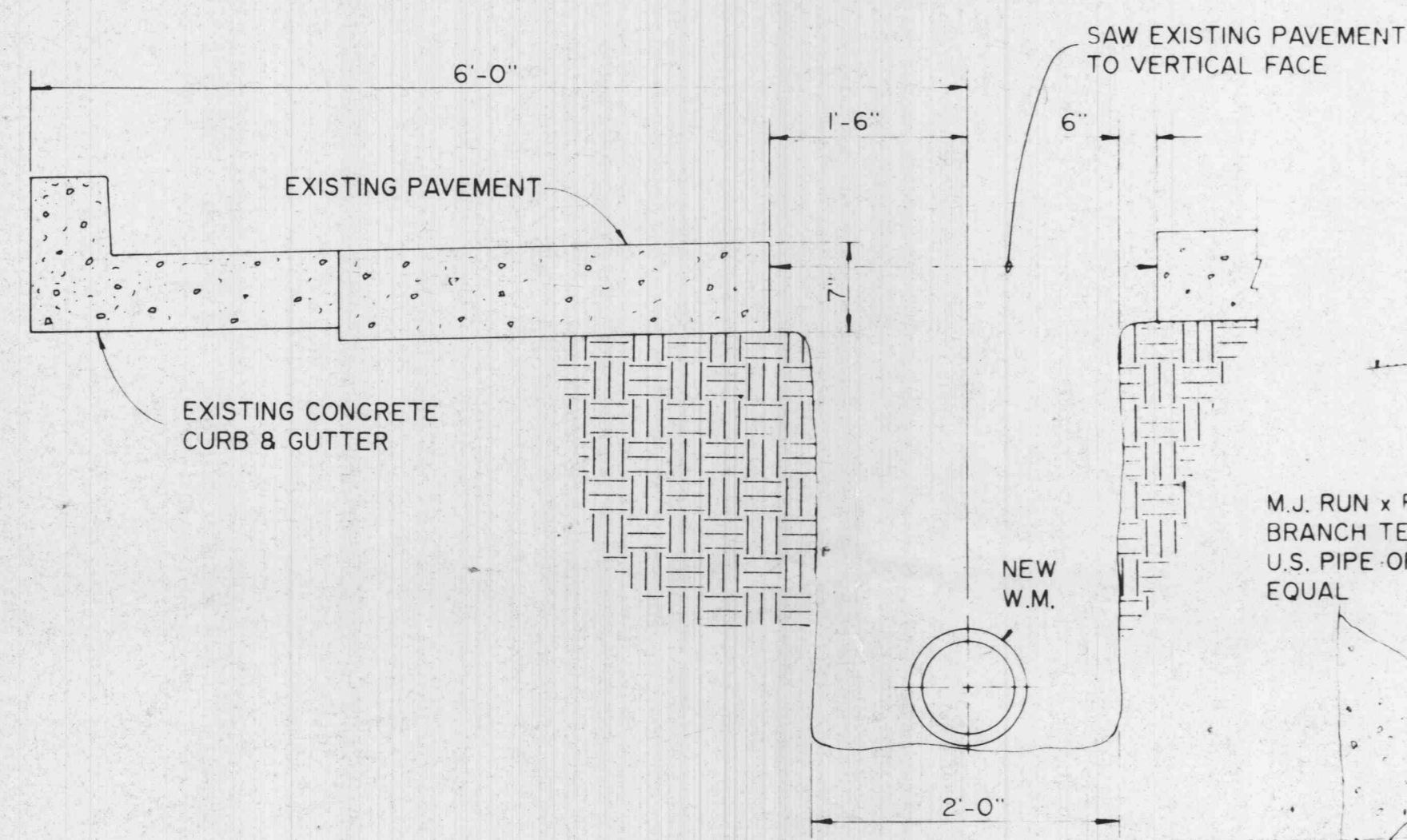
TYPICAL PAVED STREET OR ROAD TRENCH BACKFILL & SURFACE REPLACEMENT DETAIL  
N.T.S.



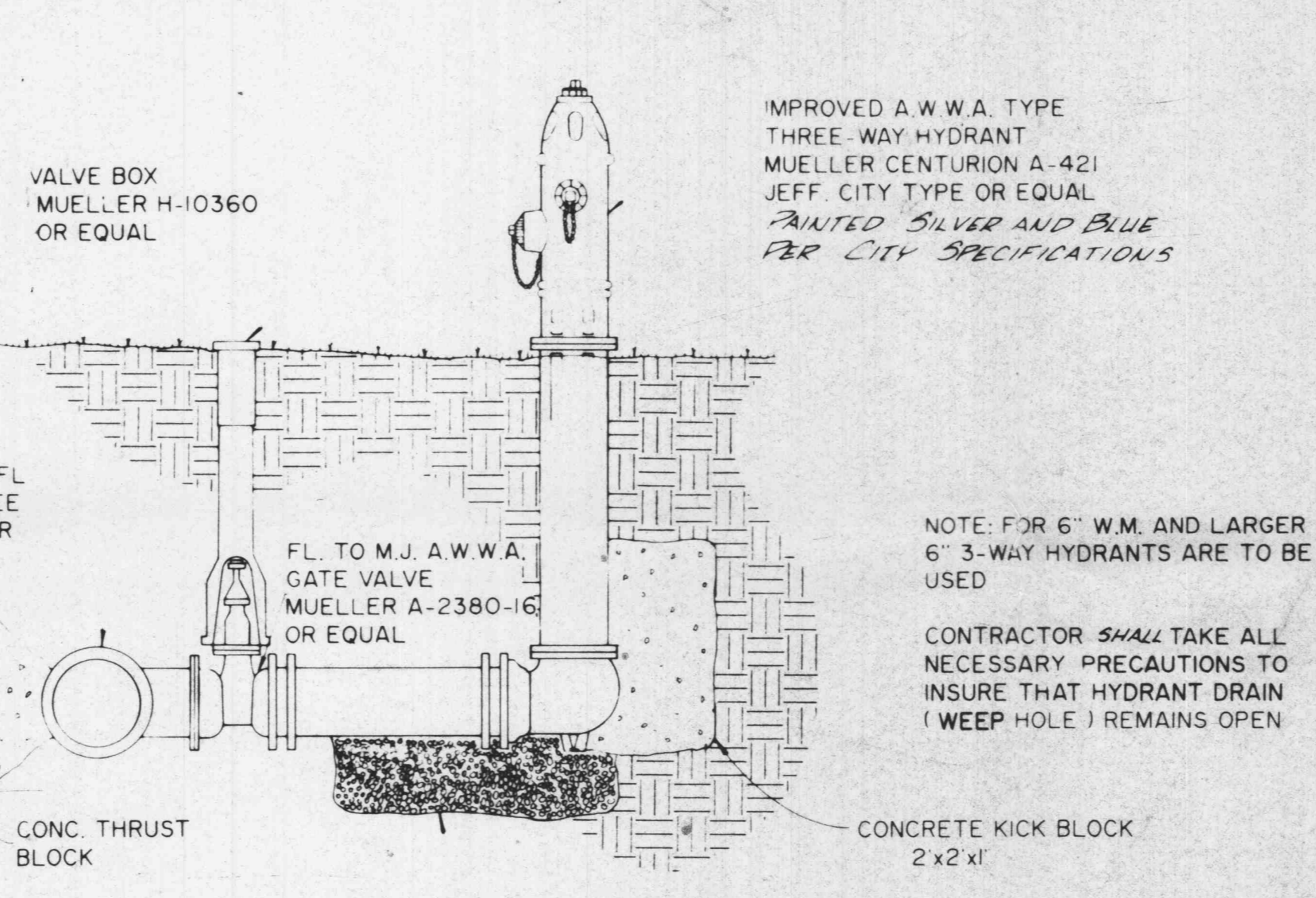
TYPICAL WATER MAIN LOWERING DETAIL  
N.T.S.



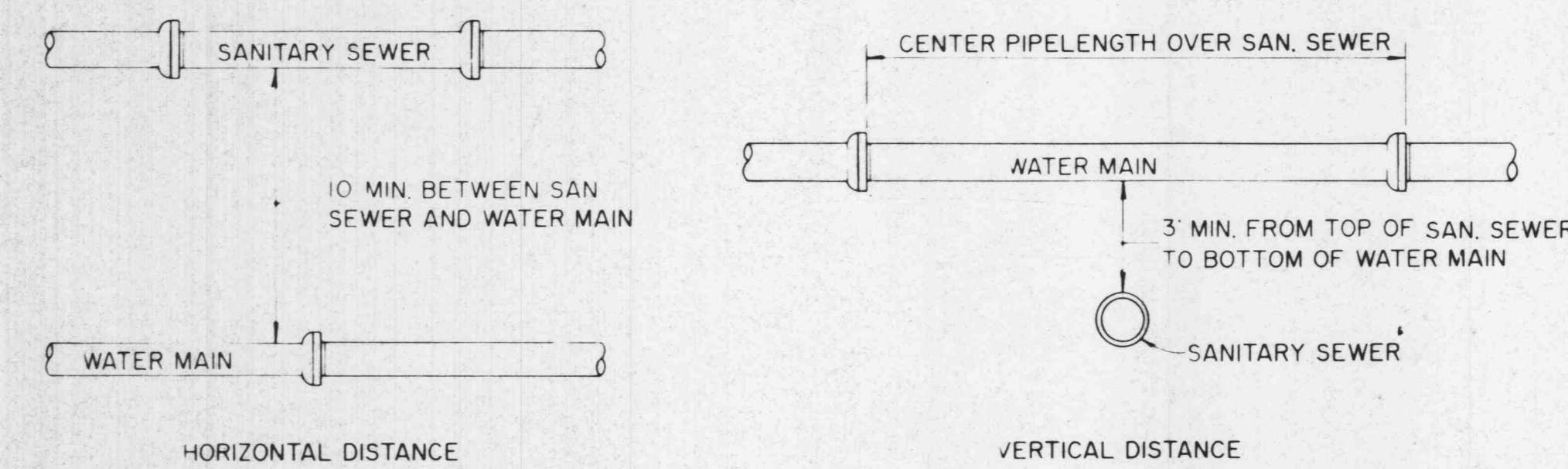
TYPICAL WATER MAIN INSTALLATION DETAIL  
N.T.S.



TYPICAL TRENCH EXCAVATION IN PAVED STREETS  
N.T.S.



FIRE HYDRANT INSTALLATION DETAIL  
N.T.S.

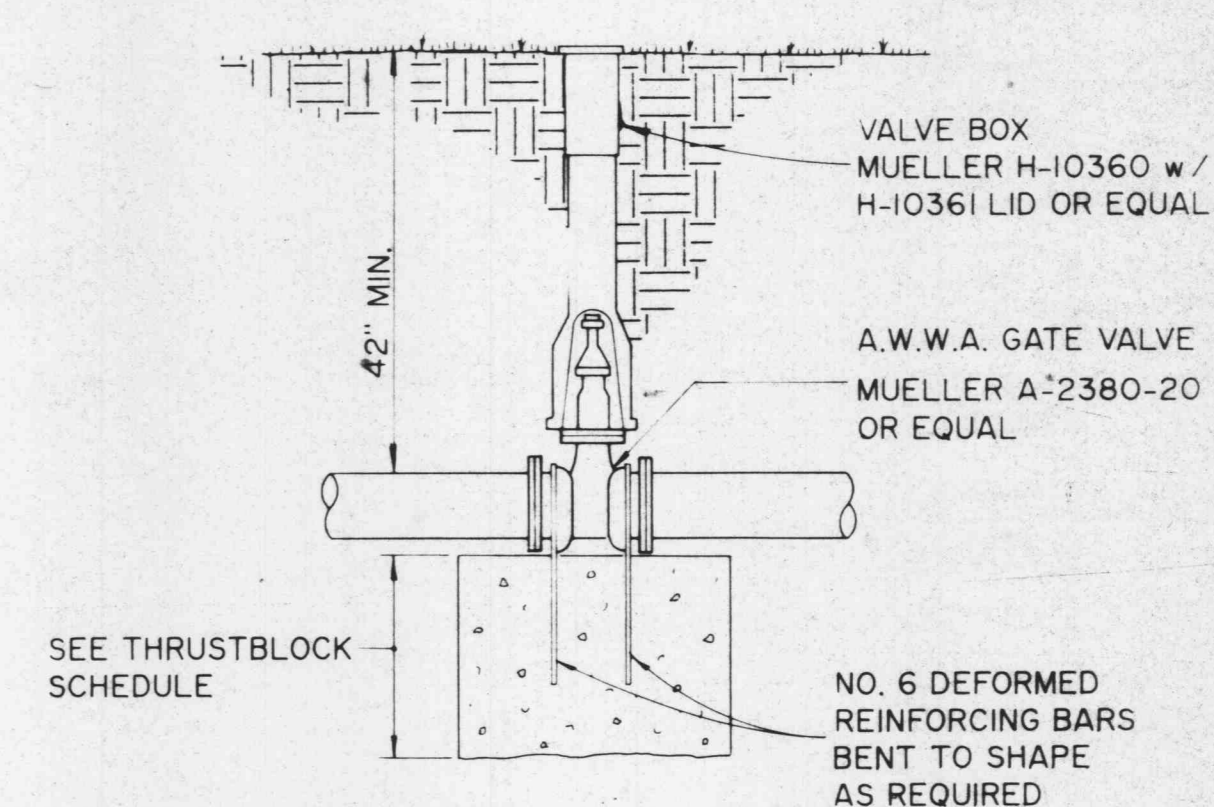


TYPICAL WATER & SEWER SEPARATION  
N.T.S.

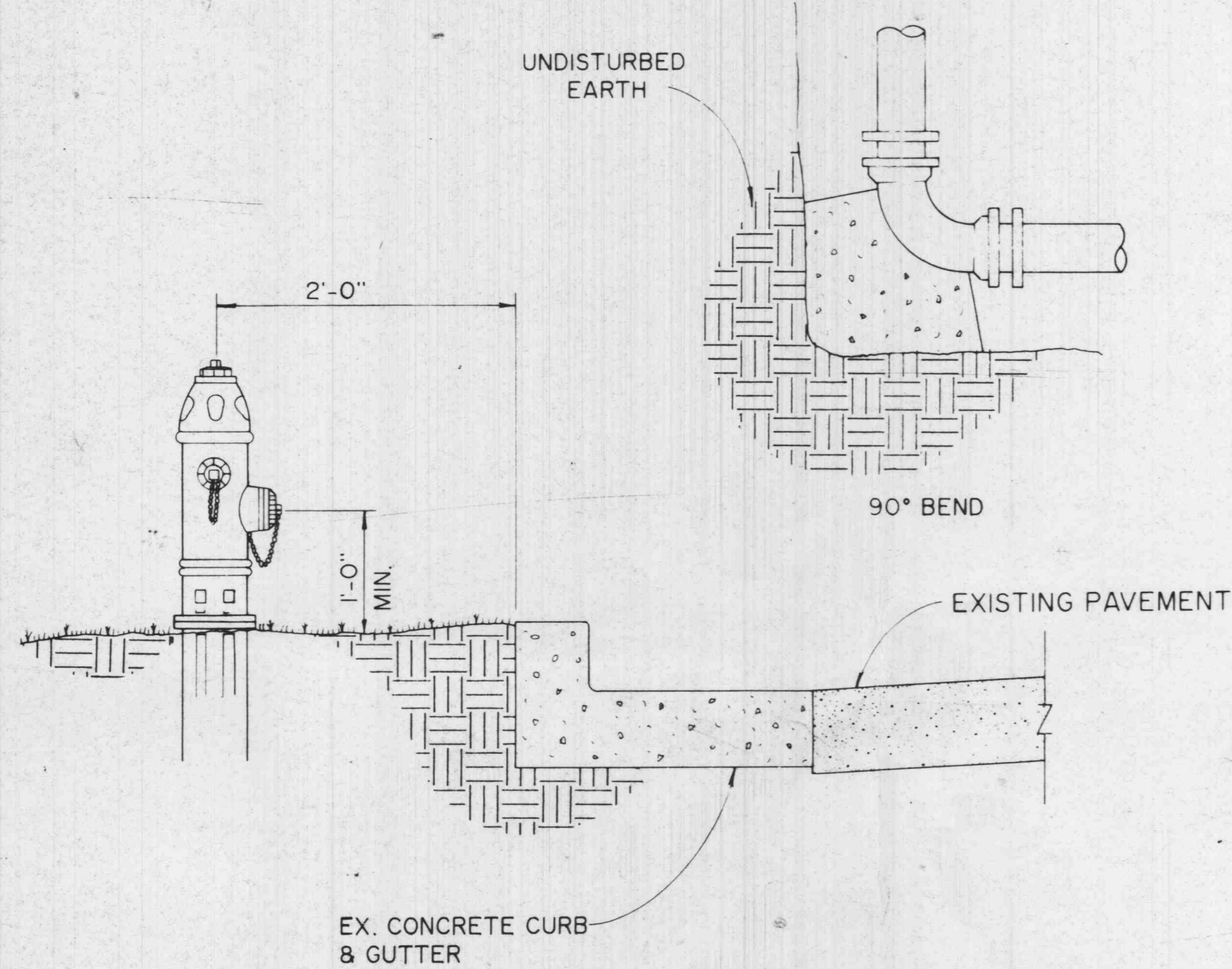
NOTE: WATERLINES SHALL BE INSTALLED WITH A #12 SOLID COPPER INSULATED TRACER WIRE.

MAIN SIZE	MIN. THRUST BLOCK BEARING DIMENSIONS TO BEAR AGAINST UNDISTURBED EARTH					
	90°	45°	22 1/2°	TEE	VALVE	CROSS
4"	1'x2'	1'x1'	1'x1'	2'x1'	2'x1'	1'x1'
6"	1.5'x3'	1.5'x2.5'	1'x1.5'	2'x1.5'	2'x1'	1'x1.5'
8"	2'x4'	2'x2.5'	1'x2'	2'x2.5'	2'x2'	2'x2.5'
10"	3'x4'	2'x2.5'	1.5'x2'	2'x3.5'	2'x3'	2'x2'

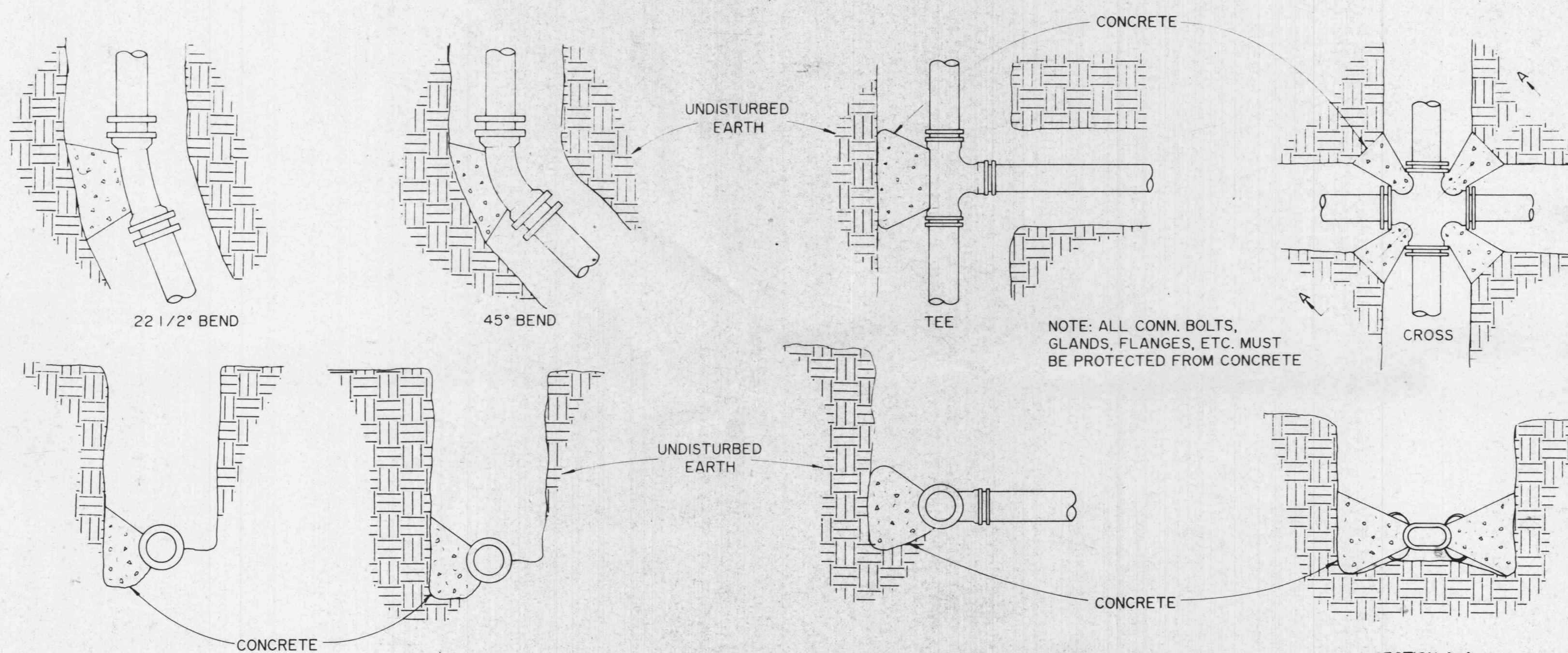
THRUST BLOCK SCHEDULE



GATE VALVE w/ THRUST BLOCK DETAIL  
N.T.S.



TYPICAL FIRE HYDRANT LOCATION DETAIL  
N.T.S.



TYPICAL THRUST BLOCK DETAILS  
N.T.S.

© Copyright 1998 by Pickett, Ray & Silver Inc.

CONFIDENTIAL PROPRIETARY MATERIAL  
The use, reproduction and sales rights of this drawing are reserved by Pickett, Ray & Silver Inc.

PICKETT RAY & SILVER

Civil Engineers  
Planners  
Land Surveyors  
333 Mid Rivers Mall Dr.  
St. Peter, MO 63376  
387-1211 FAX 387-1191

GLA  
WATERLINE DETAILS

DRAWN T.L. MIZELL DATE 12-3-98  
CHECKED R.J. TAYLOR DATE 12-3-98  
FIELD BOOK FB PROJECT # 98-501C JOB ORDER # DHO

C-5