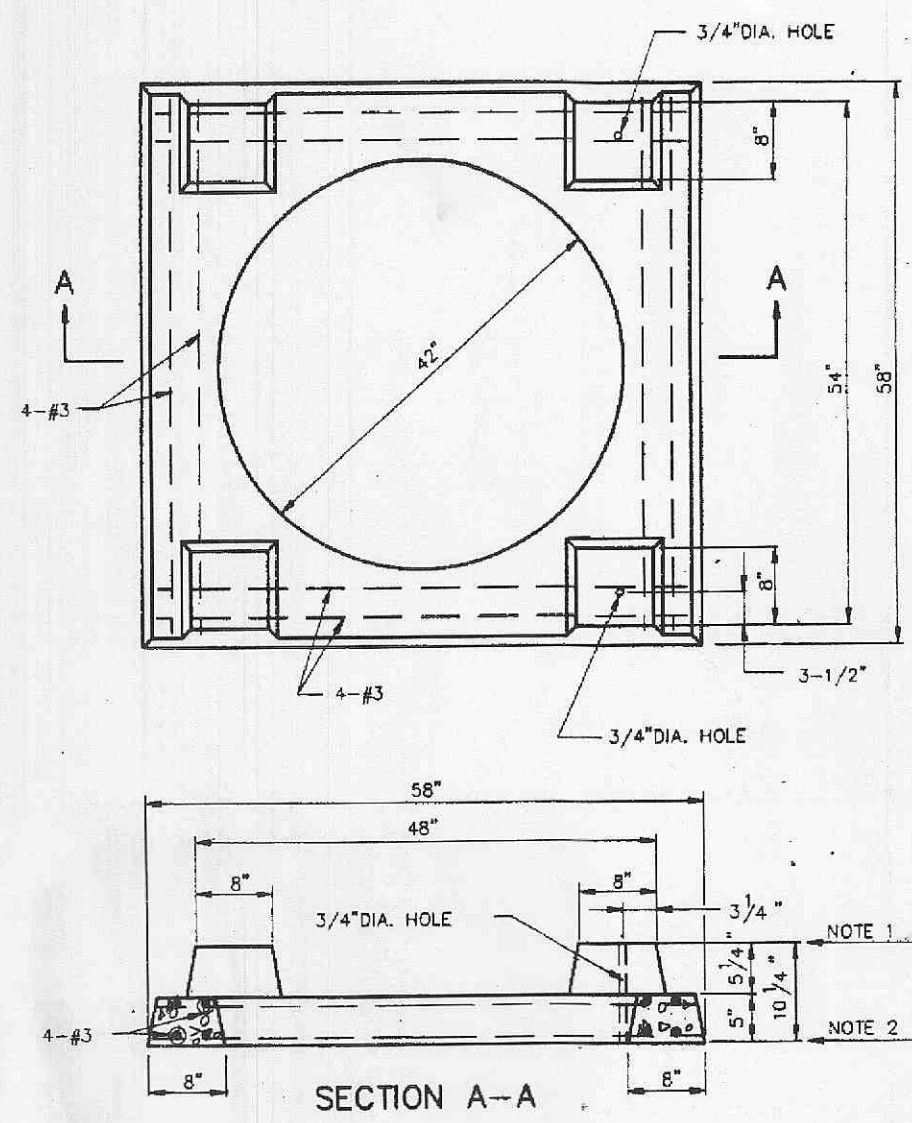
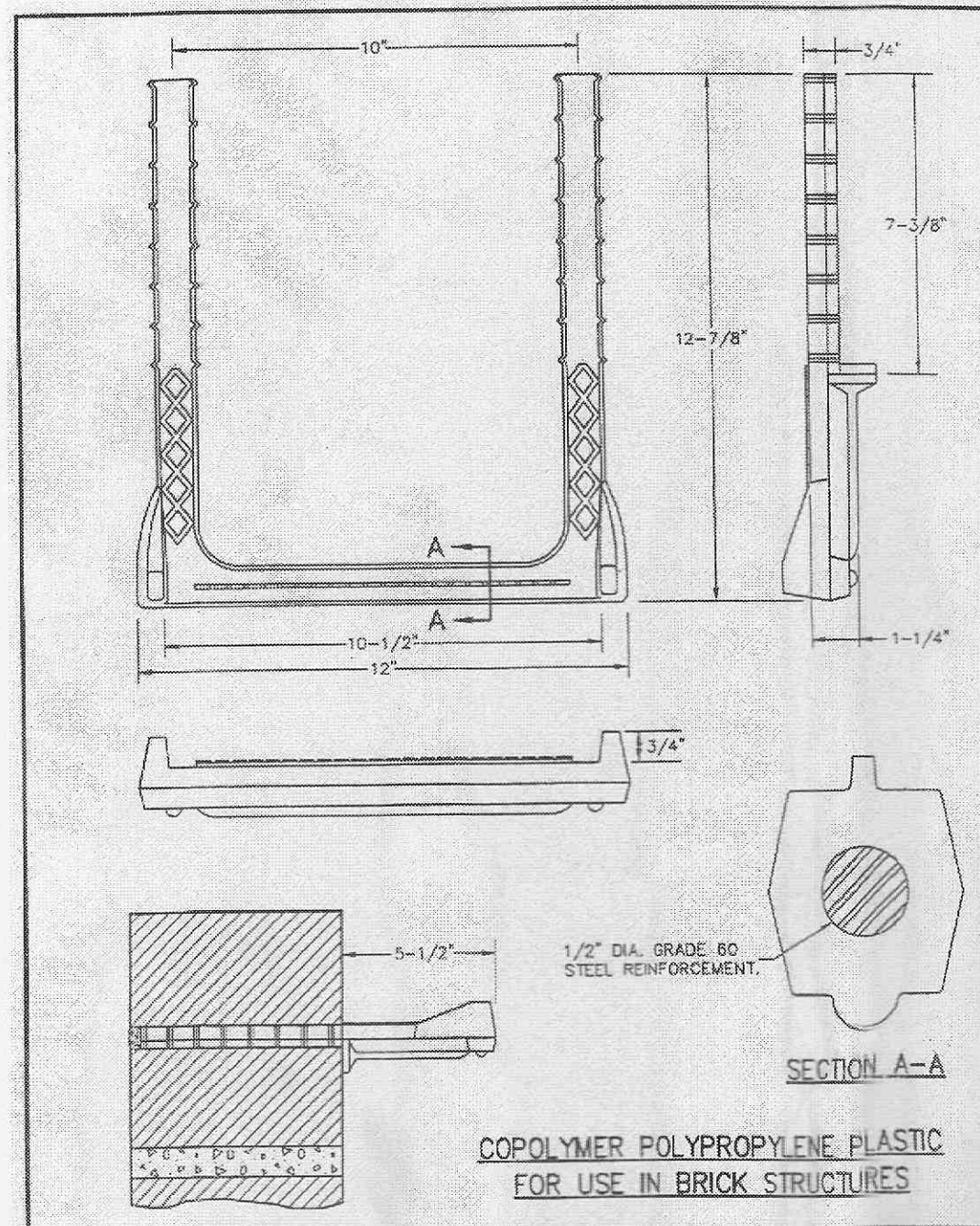


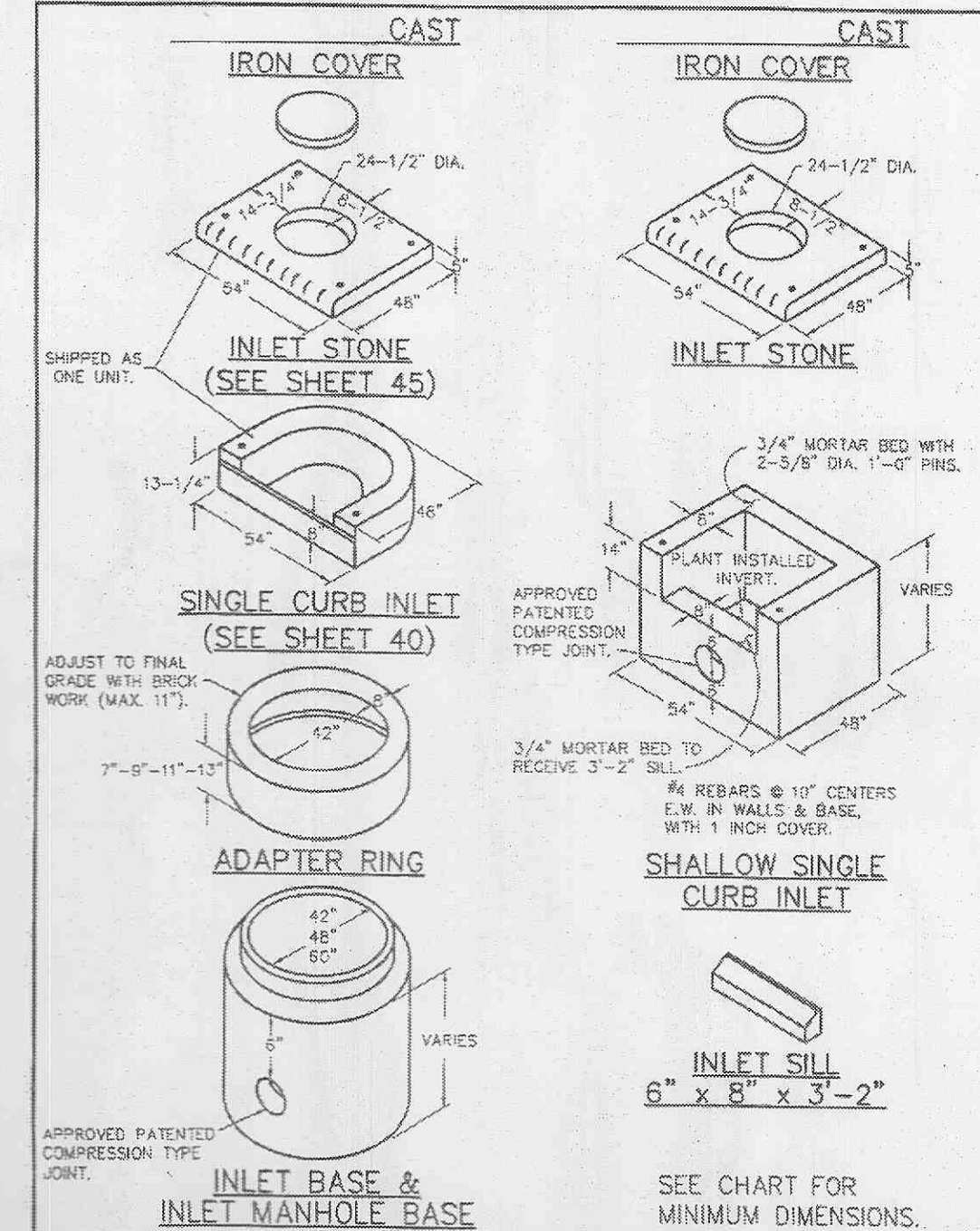
STANDARD AREA INLET
NOT TO SCALE



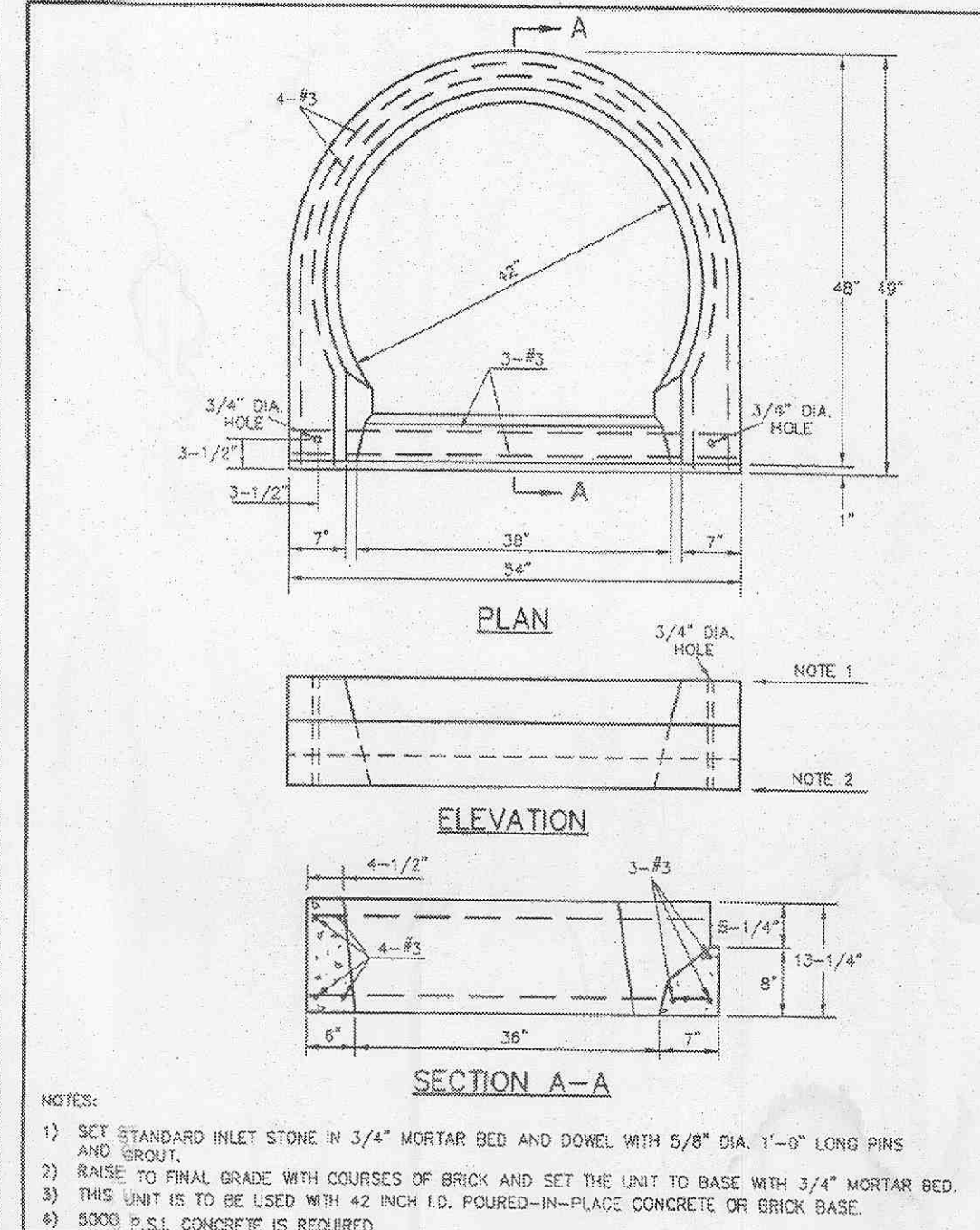
AREA INLET STANDARD TOP
NOT TO SCALE



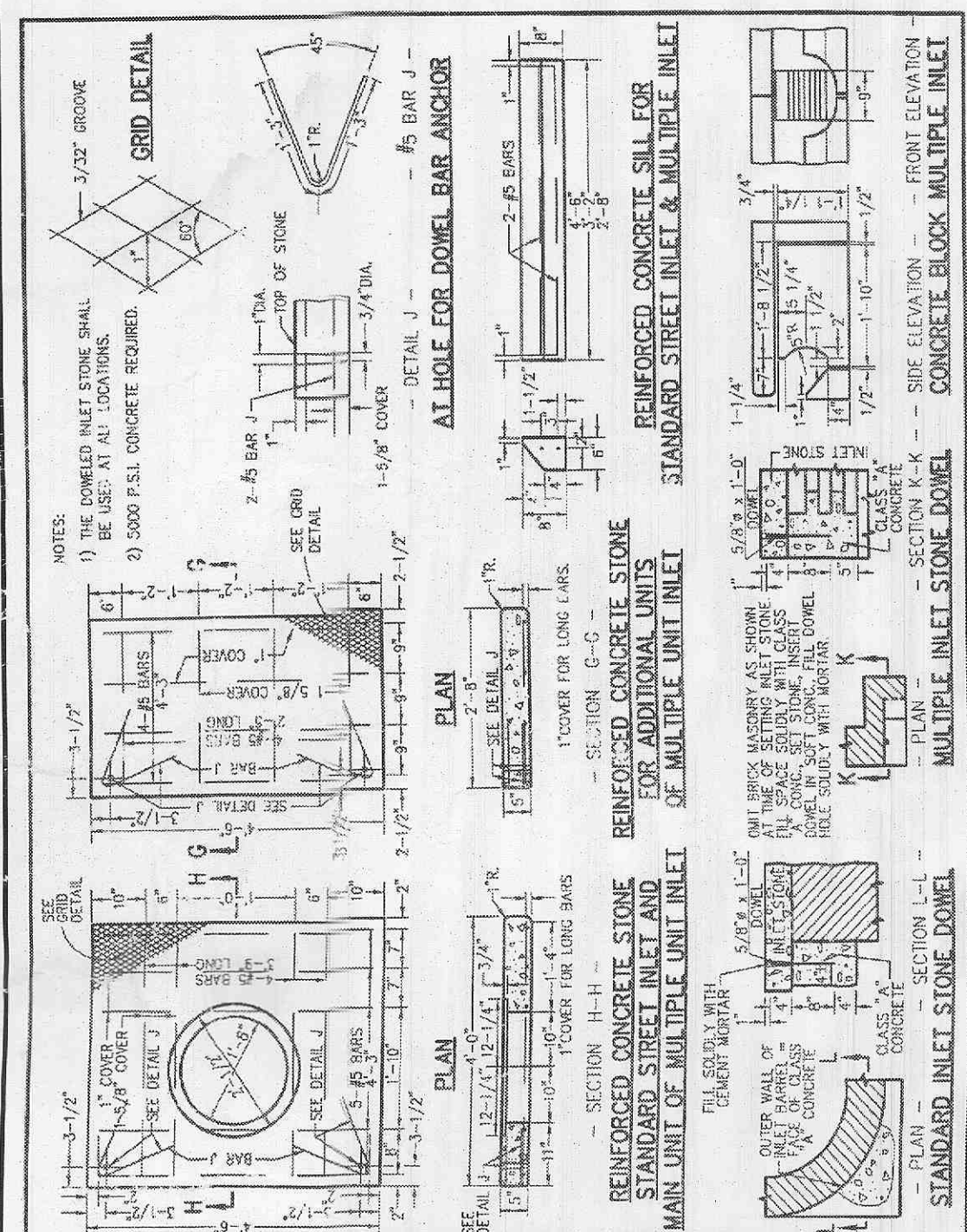
MANHOLE STEP
NOT TO SCALE



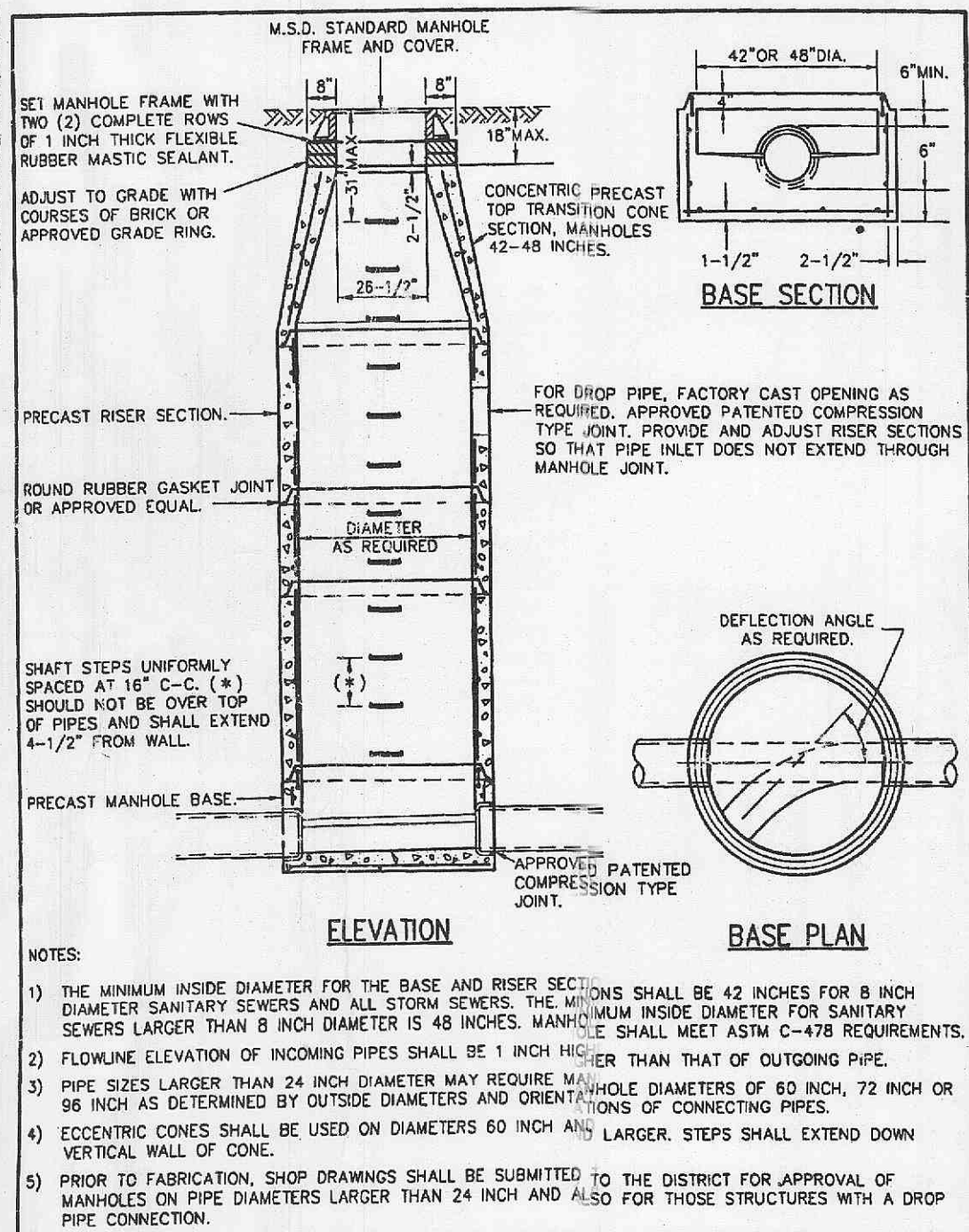
PRECAST INLET BASE
NOT TO SCALE



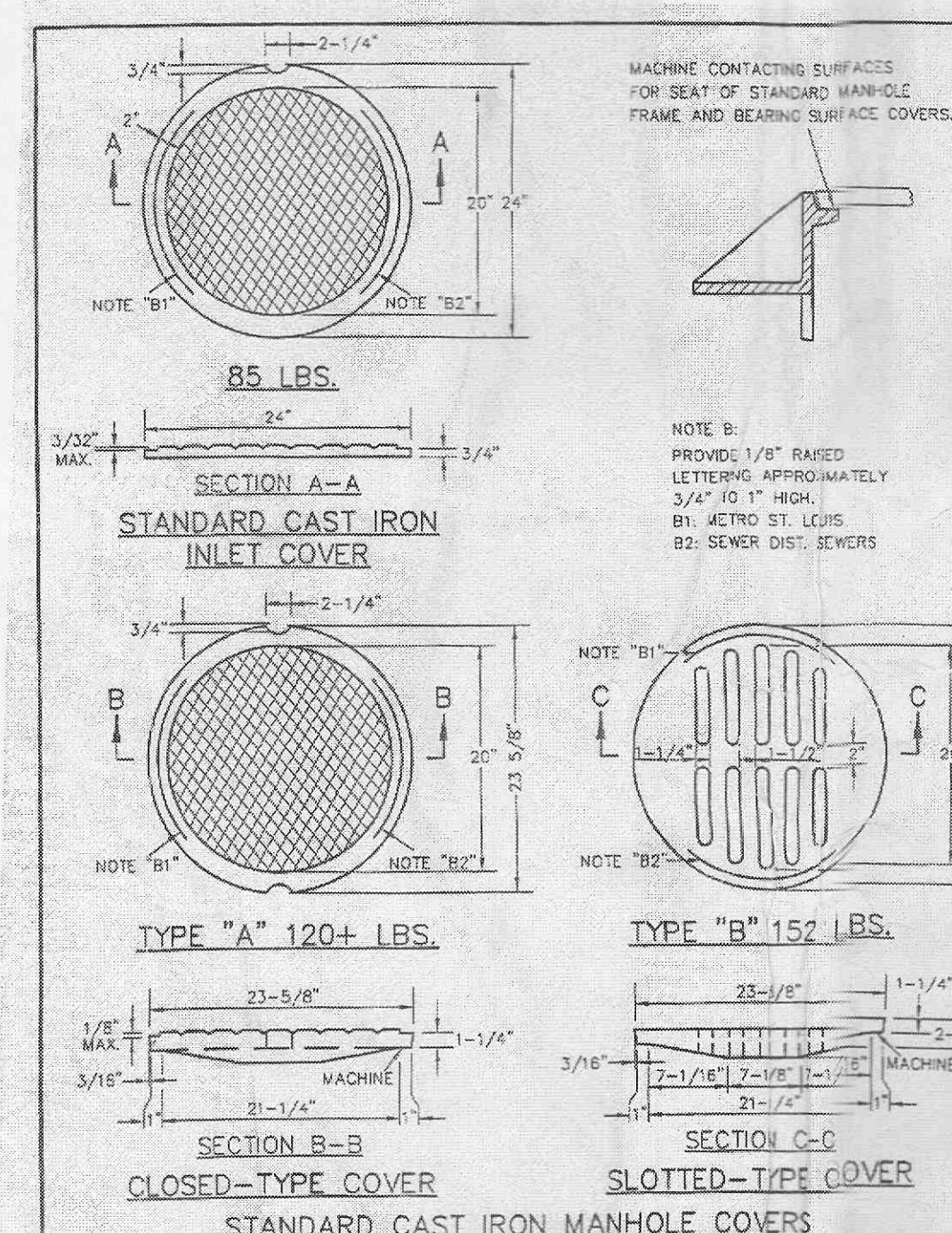
SINGLE STREET INLET
NOT TO SCALE



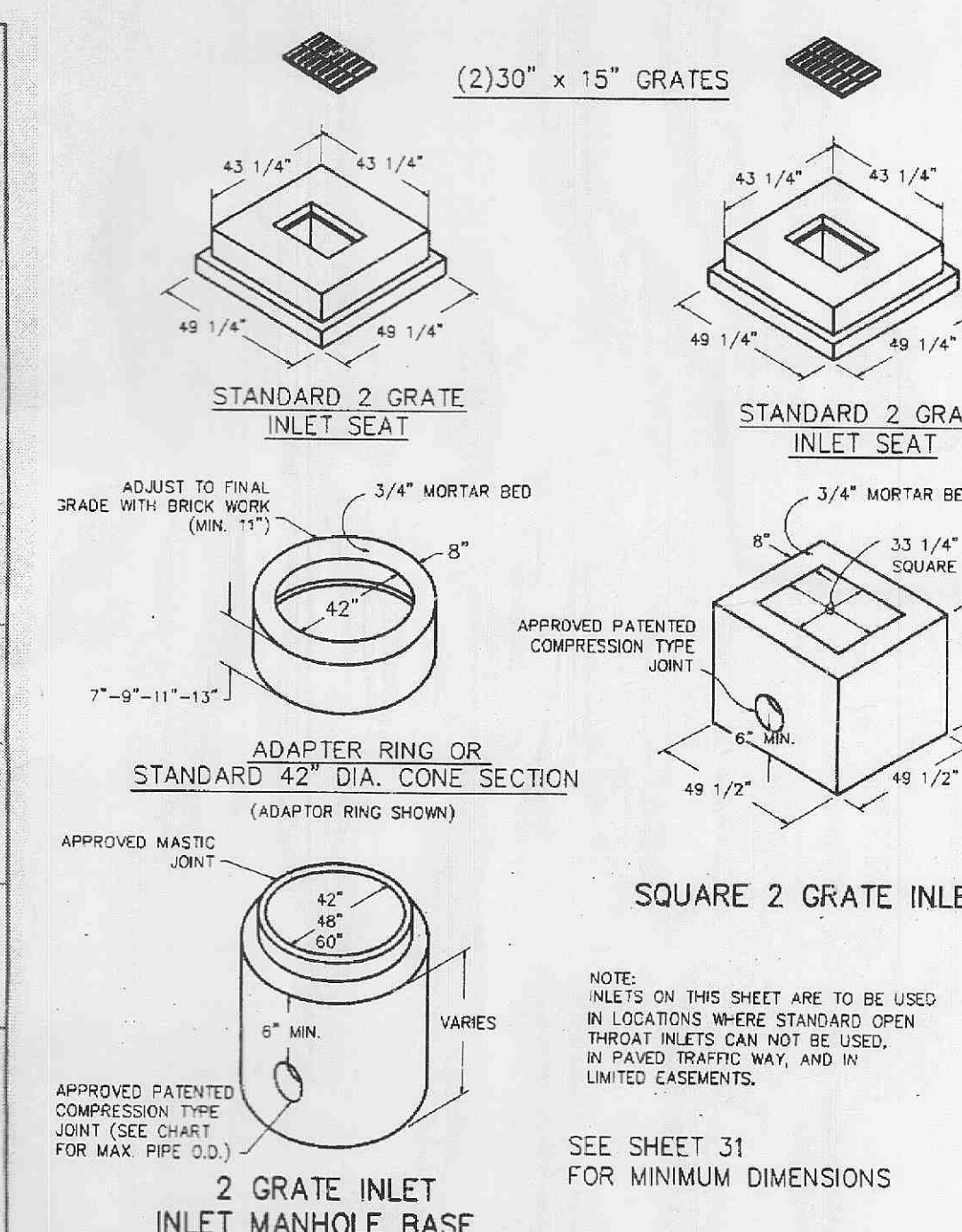
STANDARD INLET STONES
NOT TO SCALE



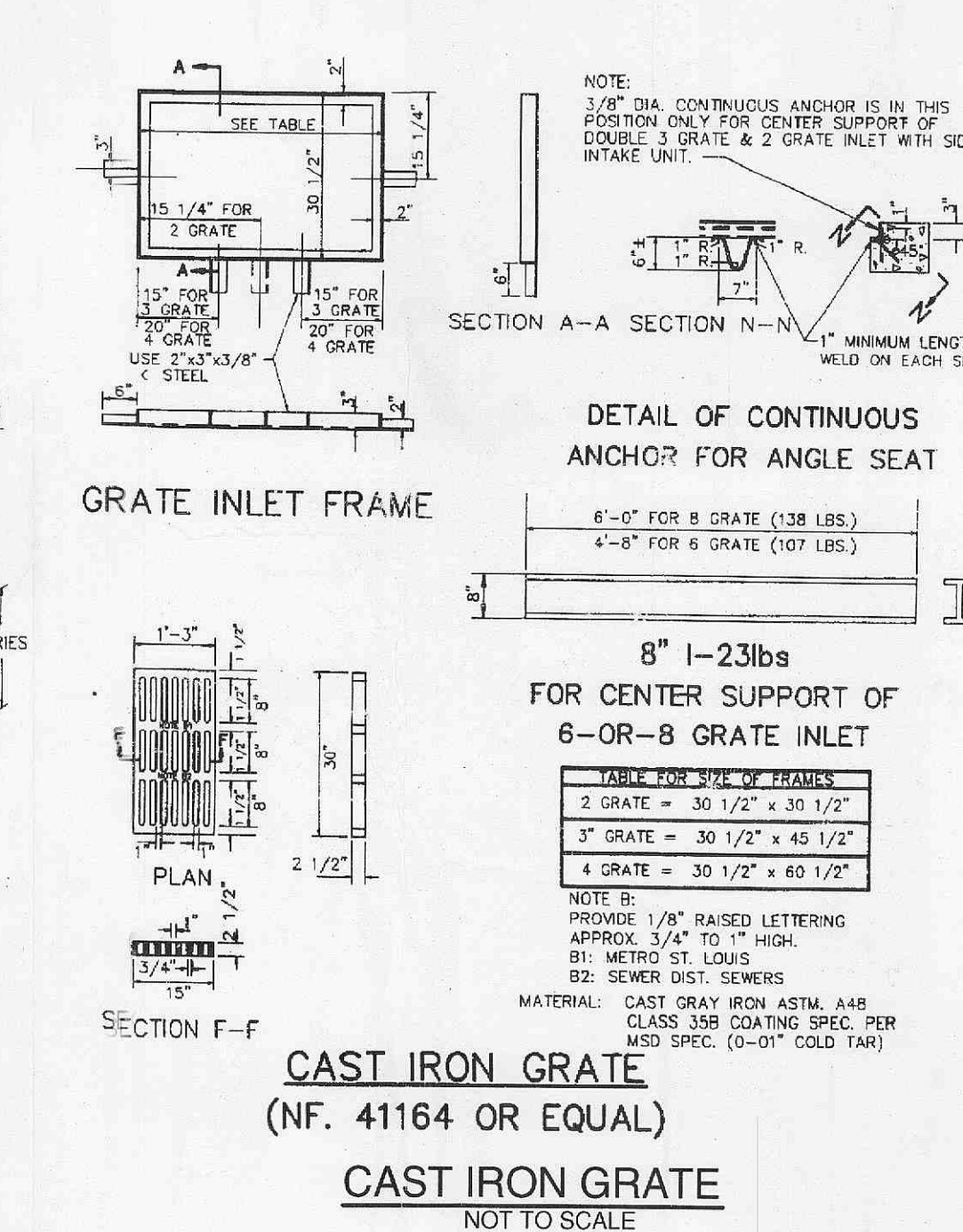
PRECAST CONCRETE MANHOLE
NOT TO SCALE



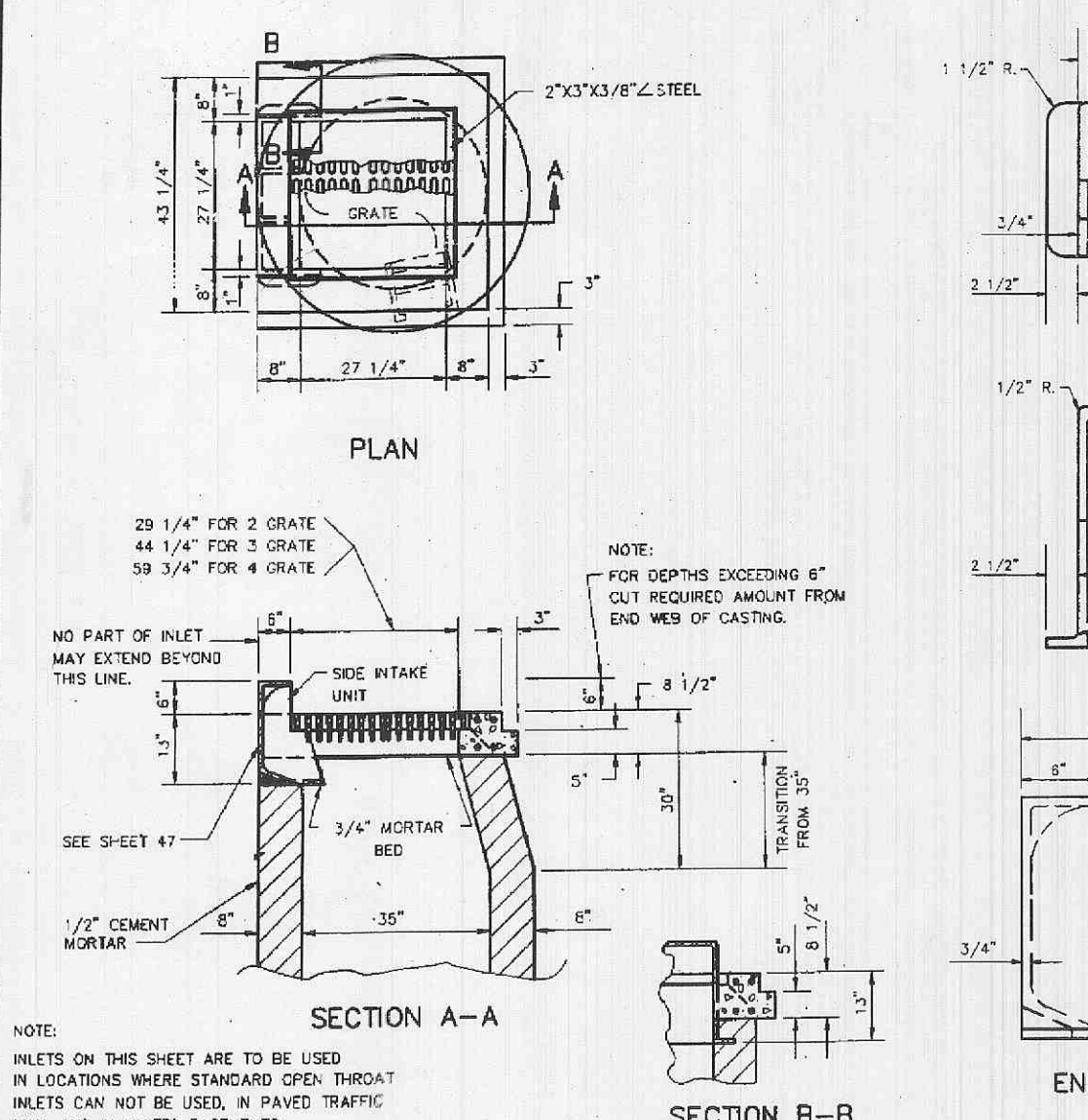
CAST IRON COVERS
NOT TO SCALE



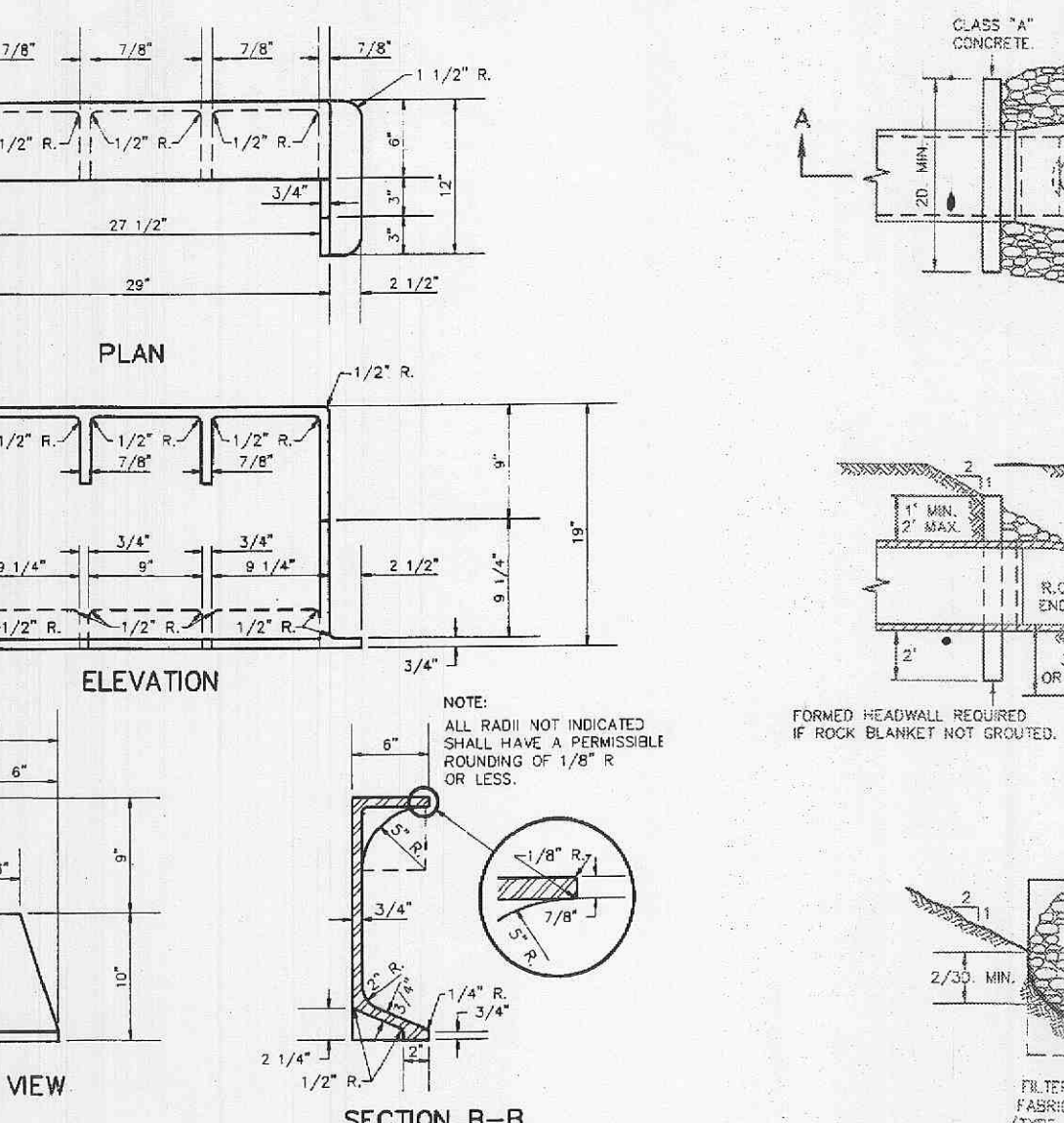
GRATE INLET
NOT TO SCALE



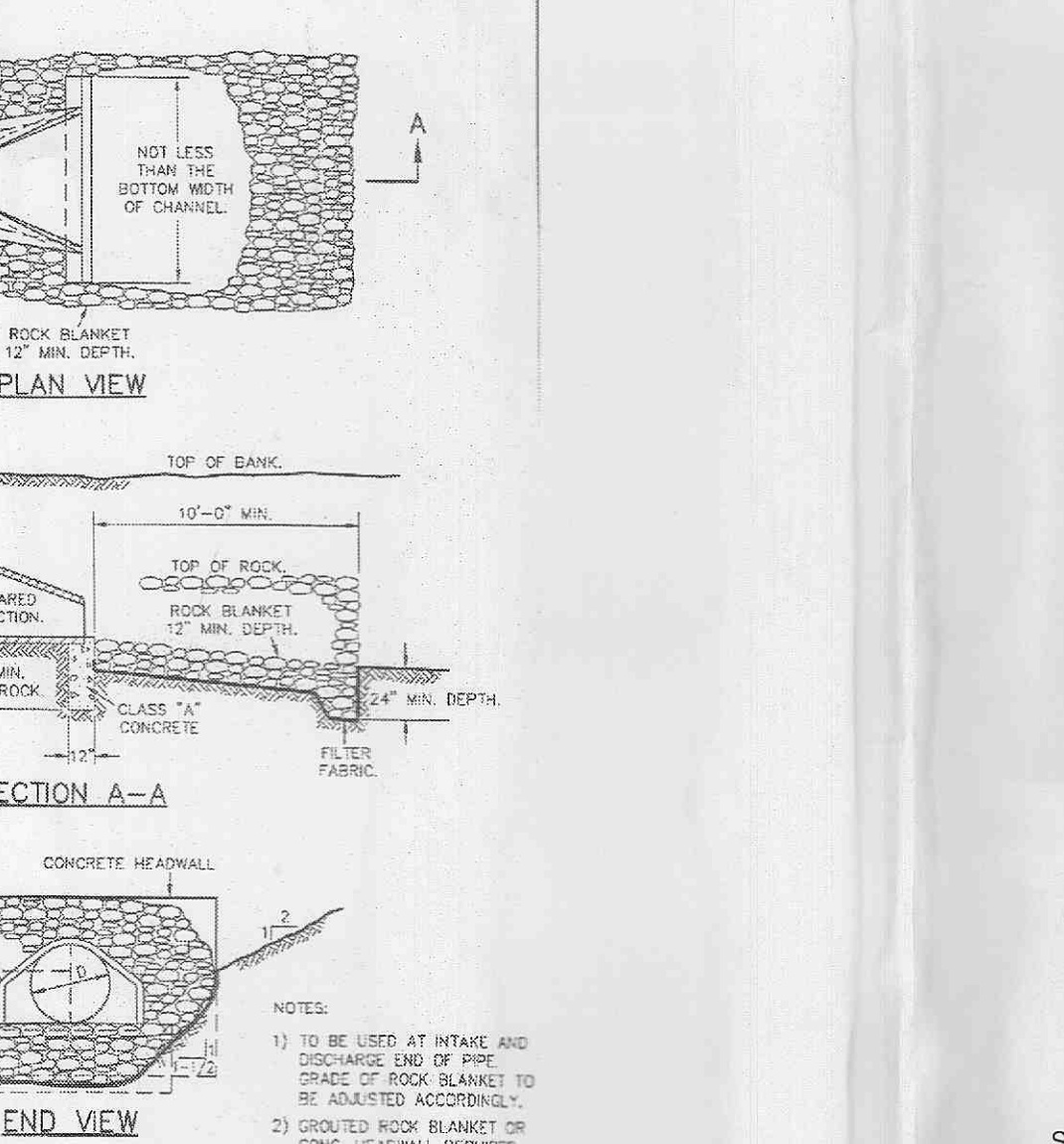
CAST IRON GRATE
NOT TO SCALE



GRATE INLET W/ SIDE INTAKE
NOT TO SCALE



SIDE INTAKE FRAME
NOT TO SCALE



FLARED END SECTION
NOT TO SCALE

Storm sewer inlets shall be marked with either of the following messages:

| Manufacturer | Size | Adhesive | Style | Message (Part #) | Website |
|------------------------|--------|----------|----------------|--|--------------------------|
| ACP International | 3 7/8" | Epoxy | Crystal Cap | No Dumping Drains To Waterways (SD-W-CC) | www.acpinternational.com |
| DAS Manufacturing Inc. | 4" | Epoxy | Standard Style | No Dumping Drains To Stream (#SDS) | www.dasmanufacturing.com |

Copyright 2014
Clayton Engineering Co.
All Rights Reserved

the clayton engineering company, inc.
ENGINEERS • SURVEYORS • PLANNERS
1160 WESTHE INDUSTRIAL DRIVE
(914) 882-8888 FAX (914) 882-8888 claytoneng.com
MO. Cert. of Authority - Prof. Engineering #002007 & Prof. Surveying #000014
E. Dept. Professional & Prof. Reg. For. Design & Engineering Code #164-00029

REVISIONS

| NO. | DATE | DESCRIPTION |
|-----|----------|------------------|
| 3 | 03-19-14 | ERD CONSTRUCTION |

FILE # 02022810225-17 DG 076 (P) 2/28/14 (1) E.B. E.B.

DESIGNED FOR: DELMAR GARDENS ENTERPRISES, INC.
14805 N. Outer 40
Chestertield, MD 63017
686-733-7000

DELMAR GARDENS STORM SEWER DETAIL

Prepared for: DELMAR GARDENS ENTERPRISES, INC.
14805 N. Outer 40
Chestertield, MD 63017
686-733-7000

Designed
Drawn
Checked
Date 01-24-14

Project Number
00228.17

Sheet Number
C-7 of 9

The signed and sealed original of this drawing is on file at the office of the Clayton Engineering Company, Inc. The signed and sealed original is the official document and shall take precedence over any digital version.