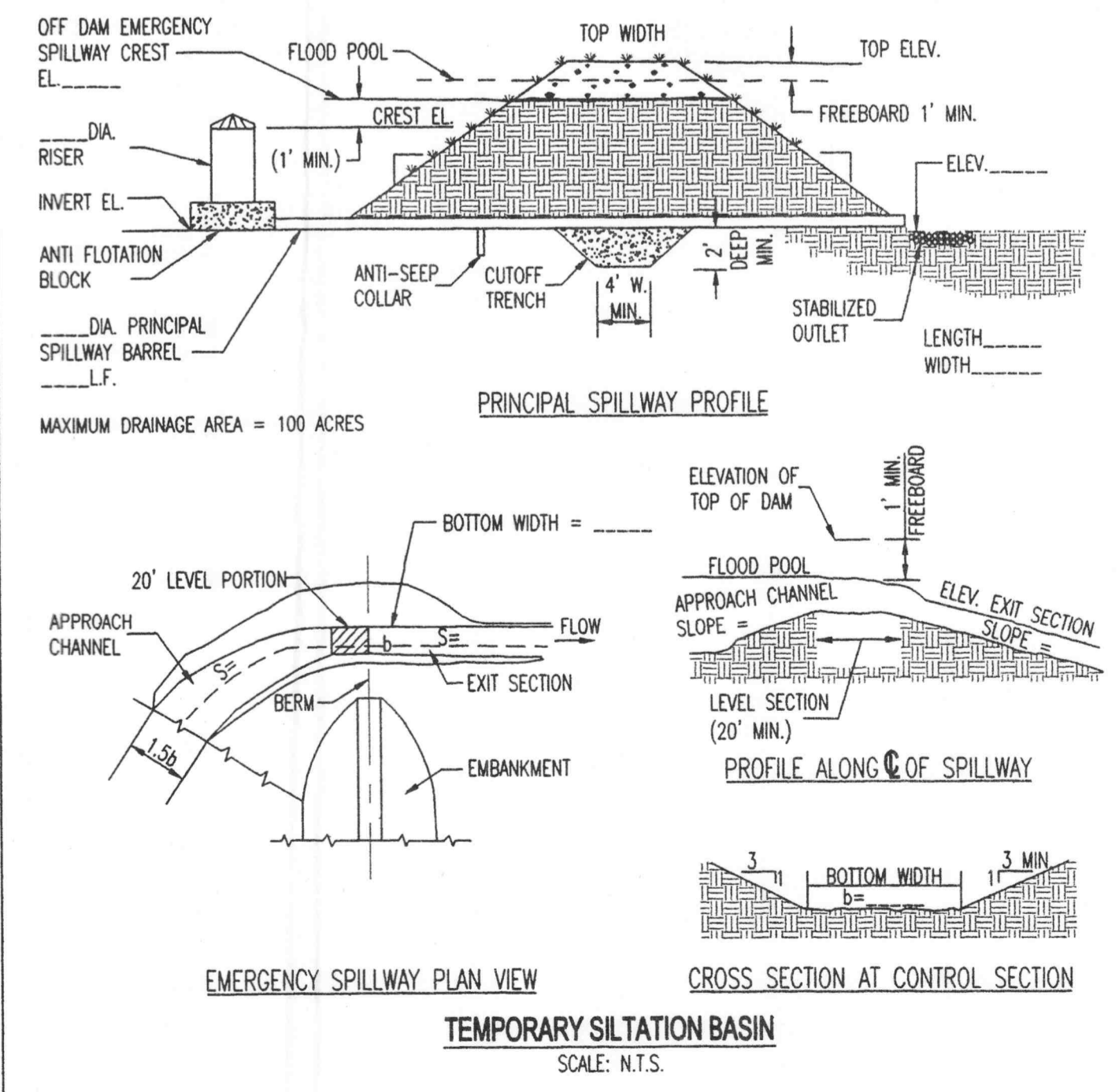
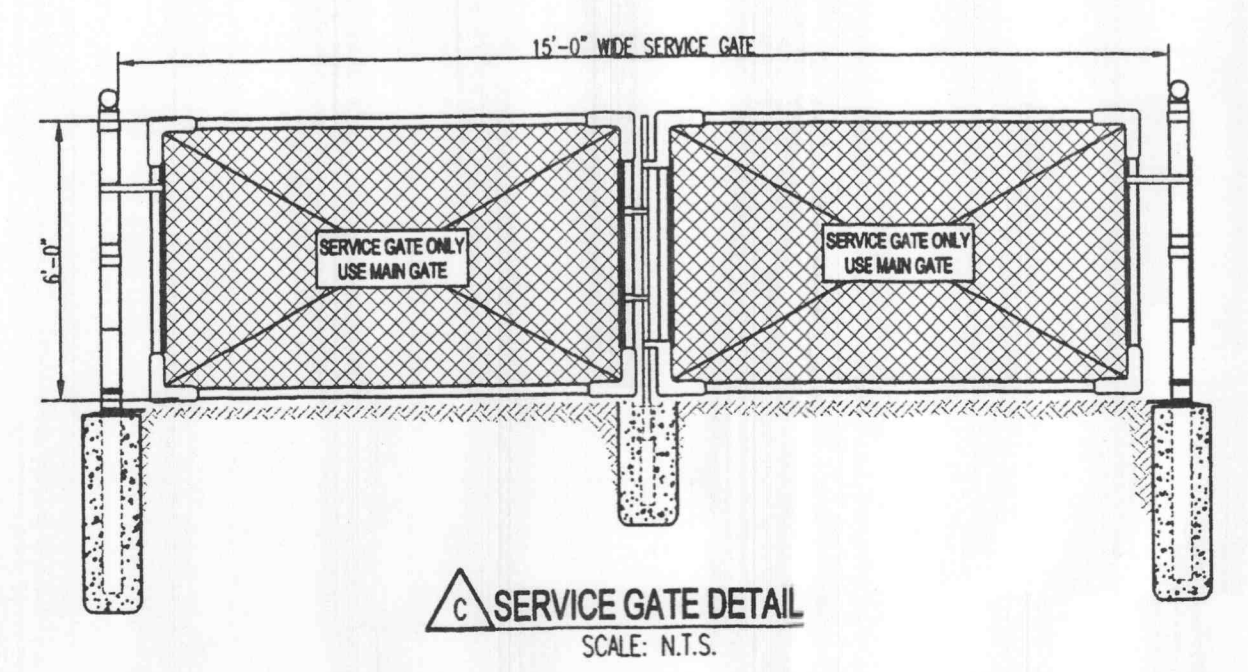
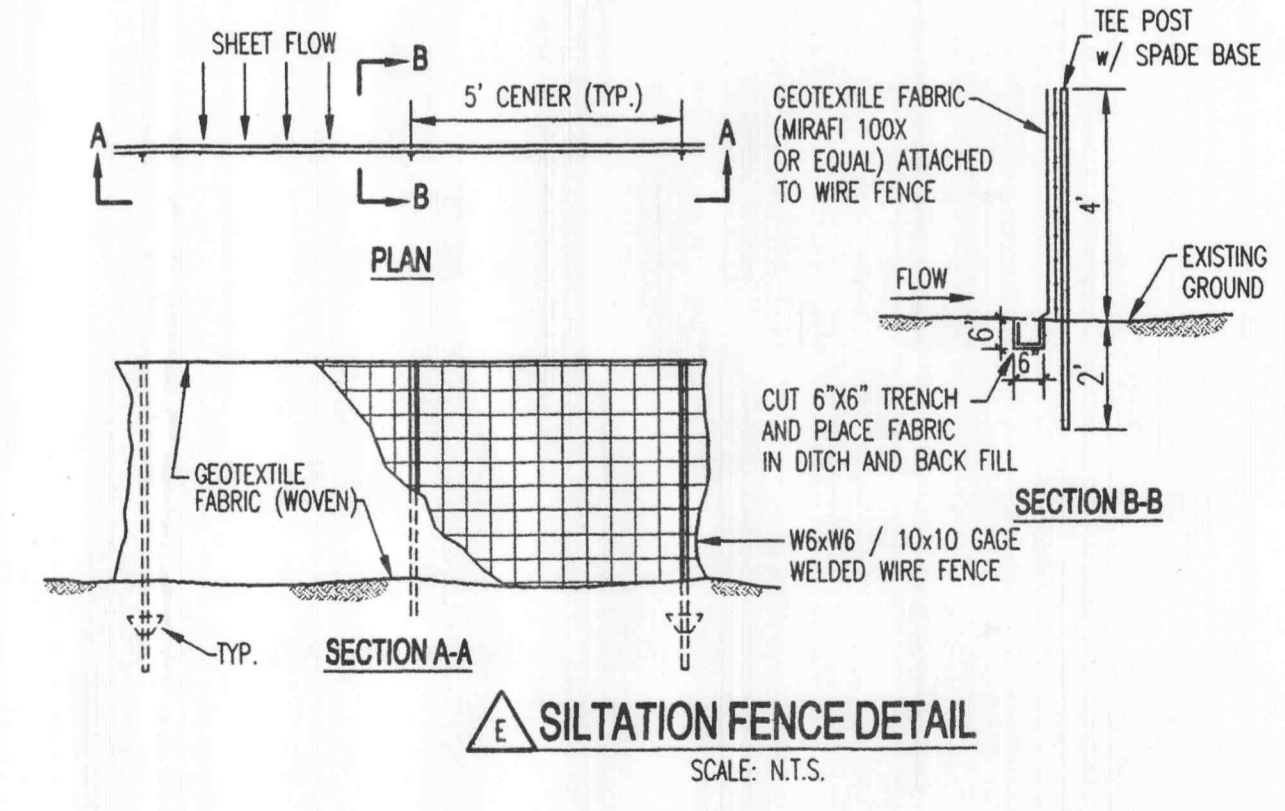
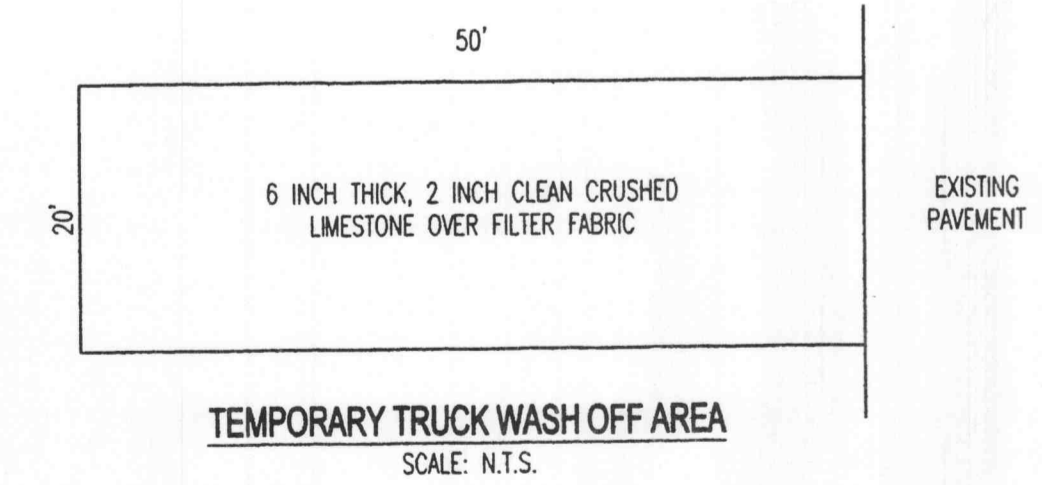
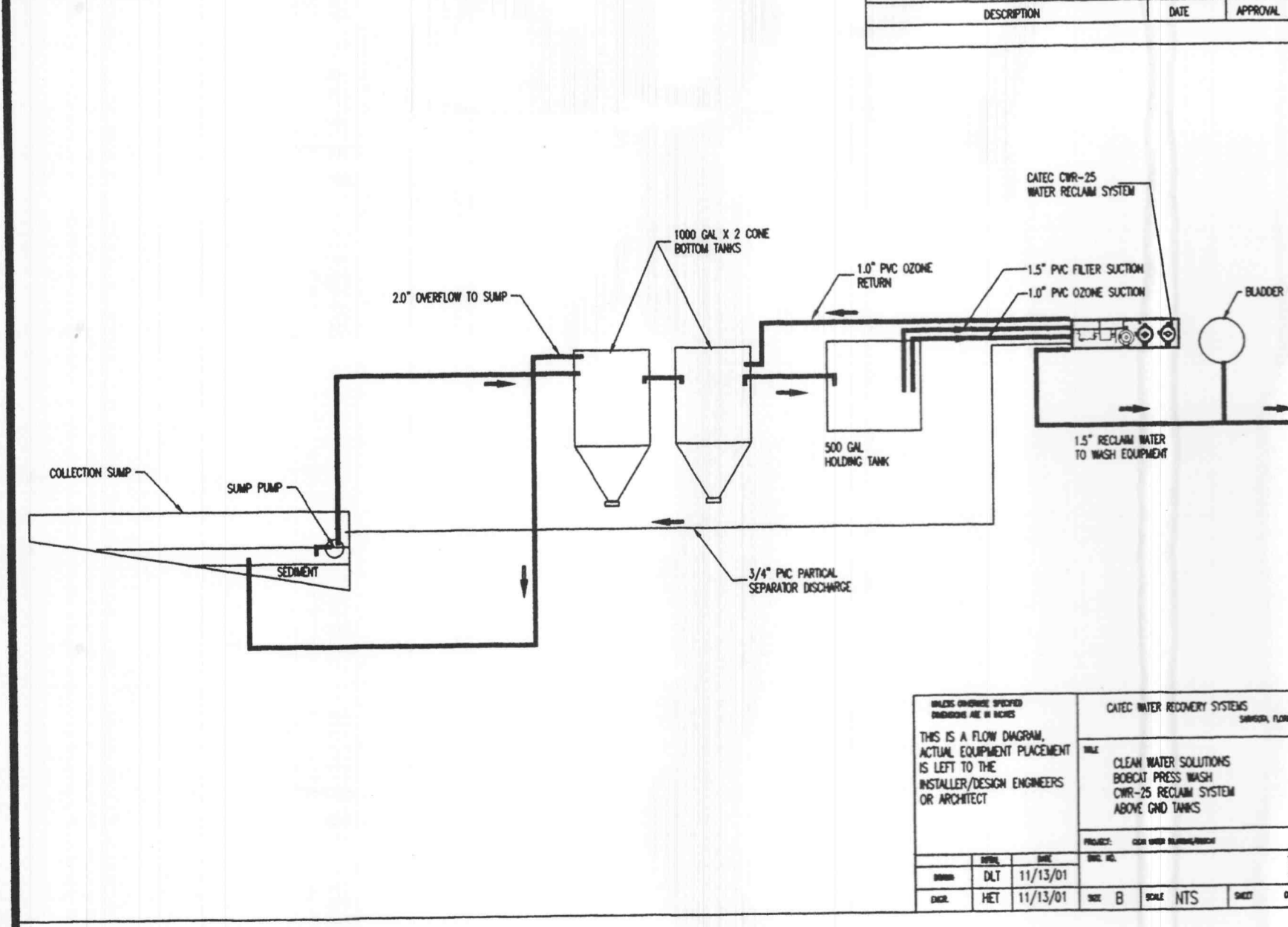
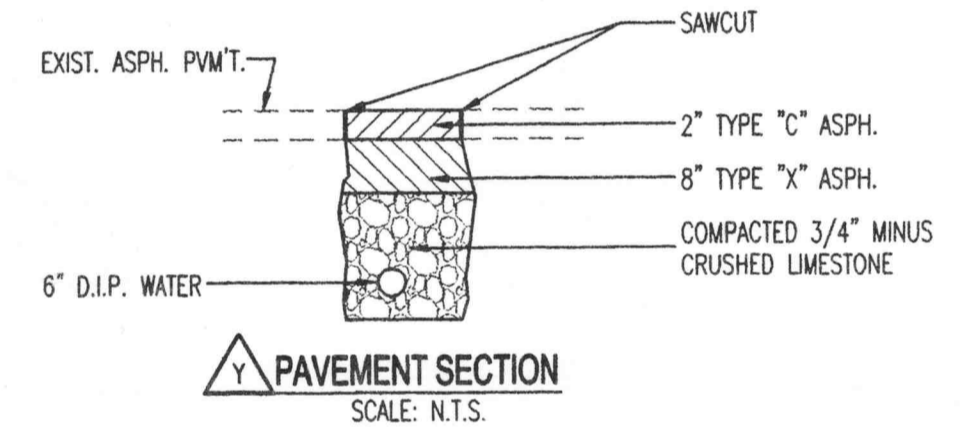
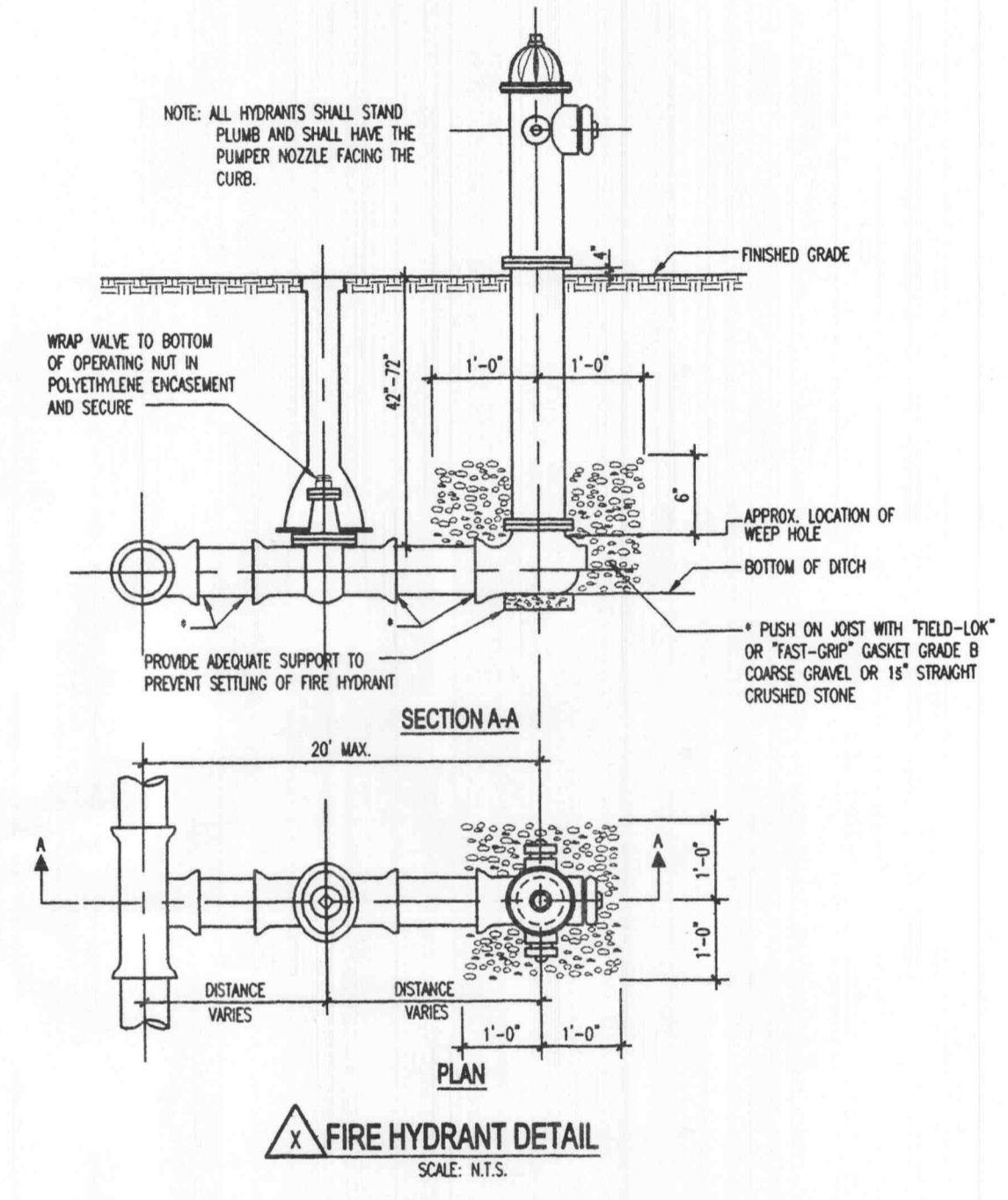
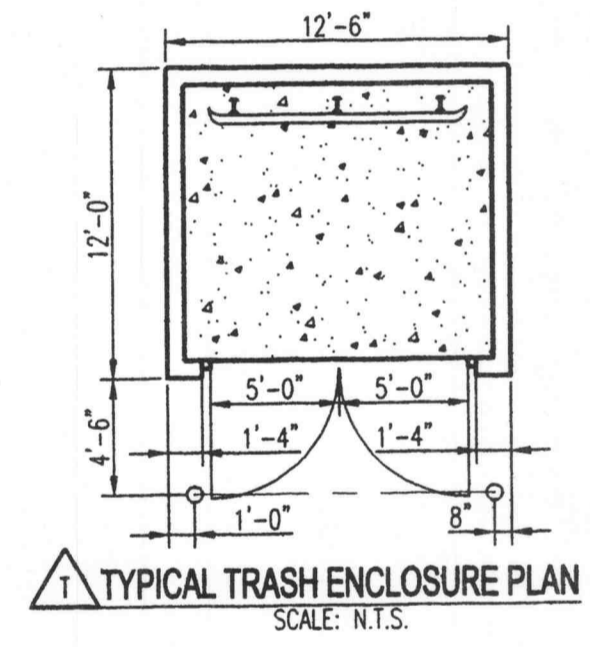
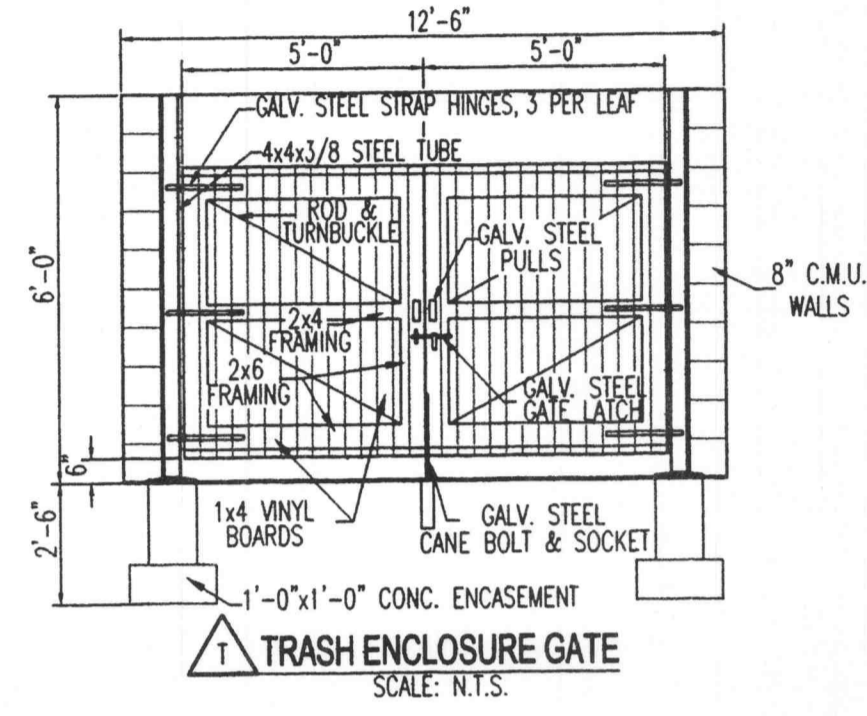
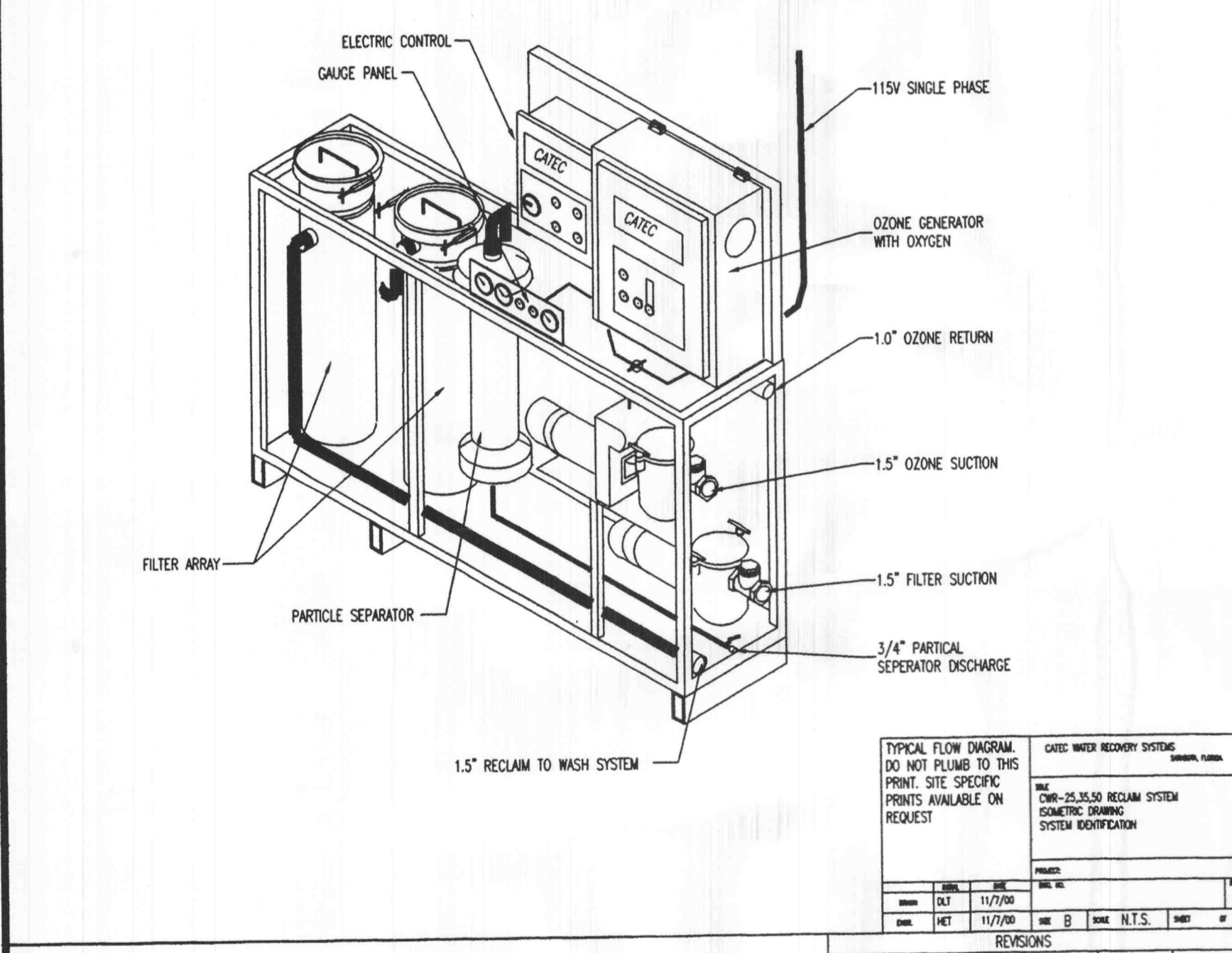


NOTE:
RETAINING WALL PROFILES, SECTIONS, AND DETAILS INDICATED ON THESE DRAWINGS ARE FOR GENERAL DESIGN AND BIDDING PURPOSE. THE CONTRACTOR SHALL FURNISH COMPLETE SHOP DRAWINGS AND STRUCTURAL CALCULATIONS PREPARED BY A REGISTERED MISSOURI PROFESSIONAL ENGINEER FOR REVIEW AND APPROVAL PRIOR TO CONSTRUCTION.



NO.	DATE	REVISION	DESCRIPTIONS
1	5/30/02	P. & Z. COMMENTS	
2	7/23/02	CITY REVIEW COMMENTS	
3	9/13/02	CITY REVIEW COMMENTS	
4	10/31/02	CITY REVIEW COMMENTS	

CIVIL/STRUCTURAL/LAND SURVEYING
#16 SUNNEN DRIVE, SUITE 165
ST. LOUIS, MISSOURI 63143
EMAIL: MAIL@FRONTENACENGINEERING.COM

DATE	5/30/02
CHECKED	W.K.B.
DRAWN	R.J.R.
SCALE	1" = 40'

DETAILS AND SECTIONS
GATEWAY BOBCAT OF OFFALLOON
1885 WEST TERRA AVENUE,
OFFALLOON MO. 63366