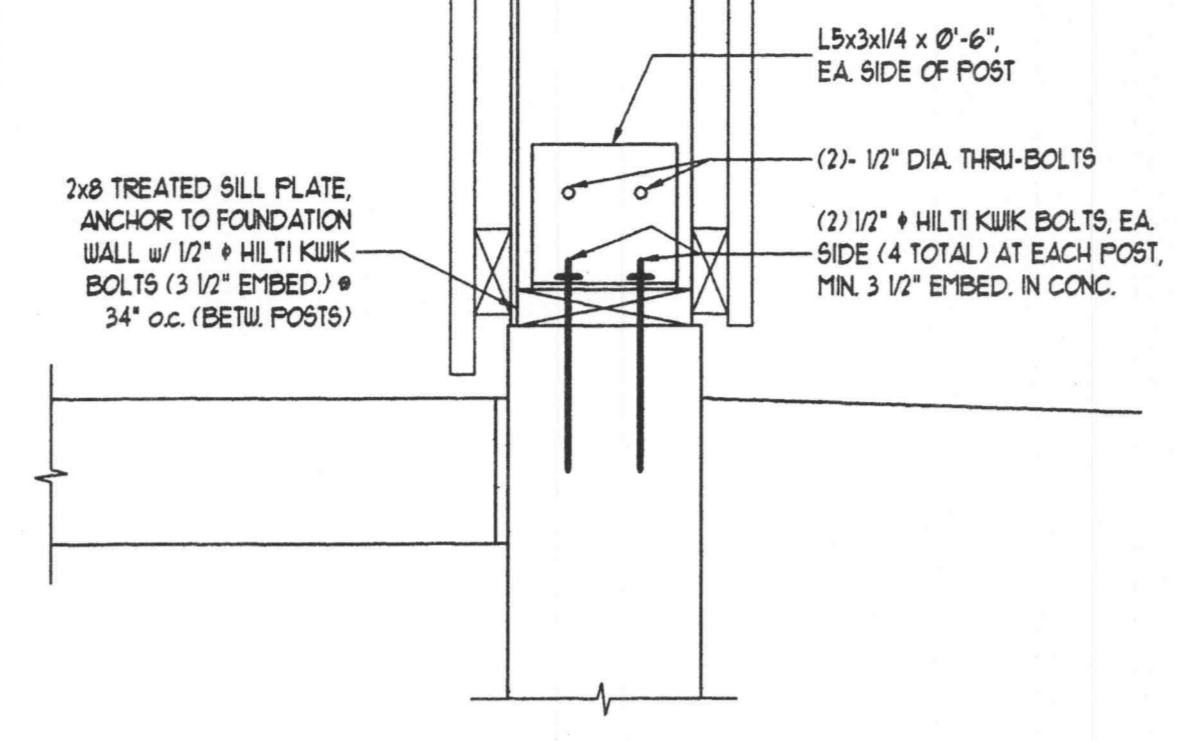
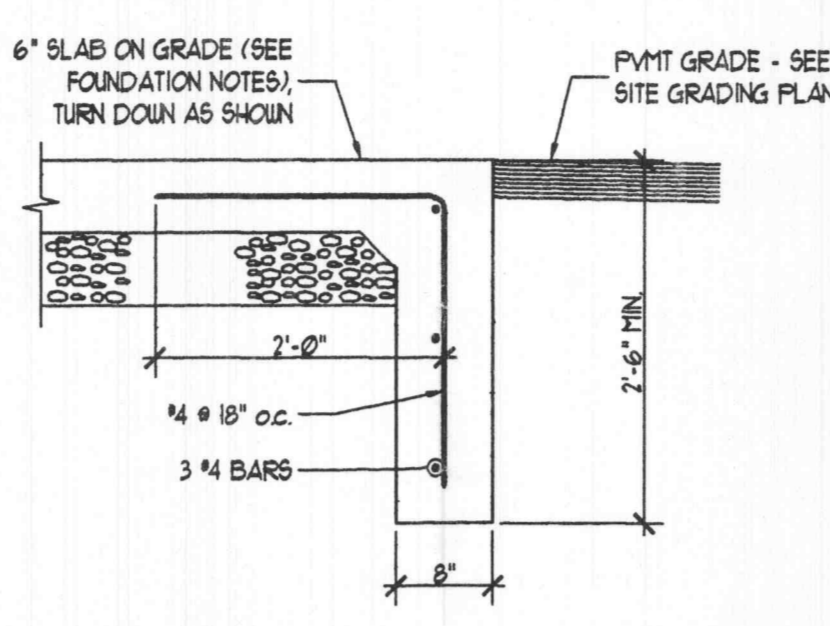


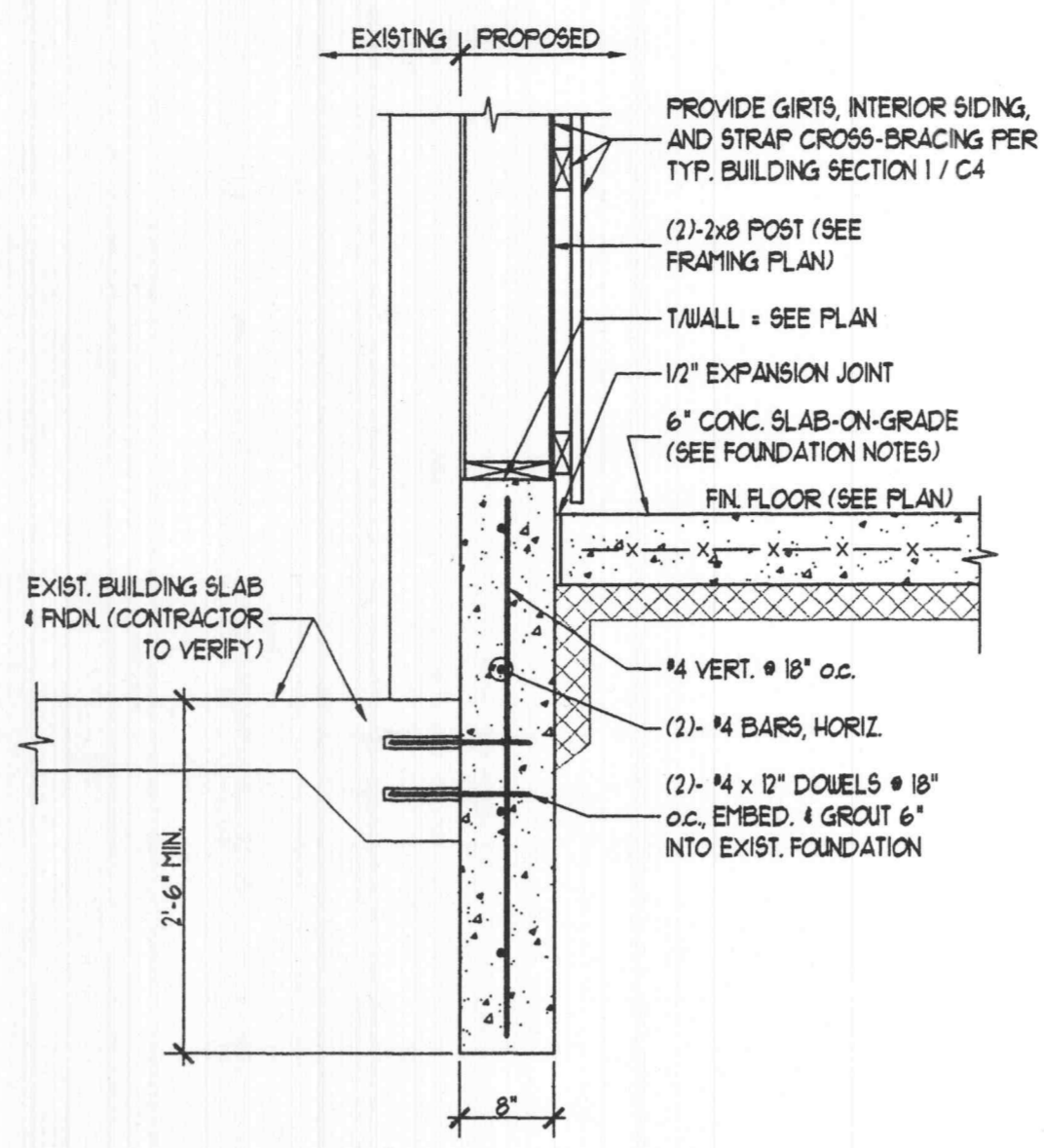
1 BUILDING SECTION
SCALE: 1/2" = 1'-0"



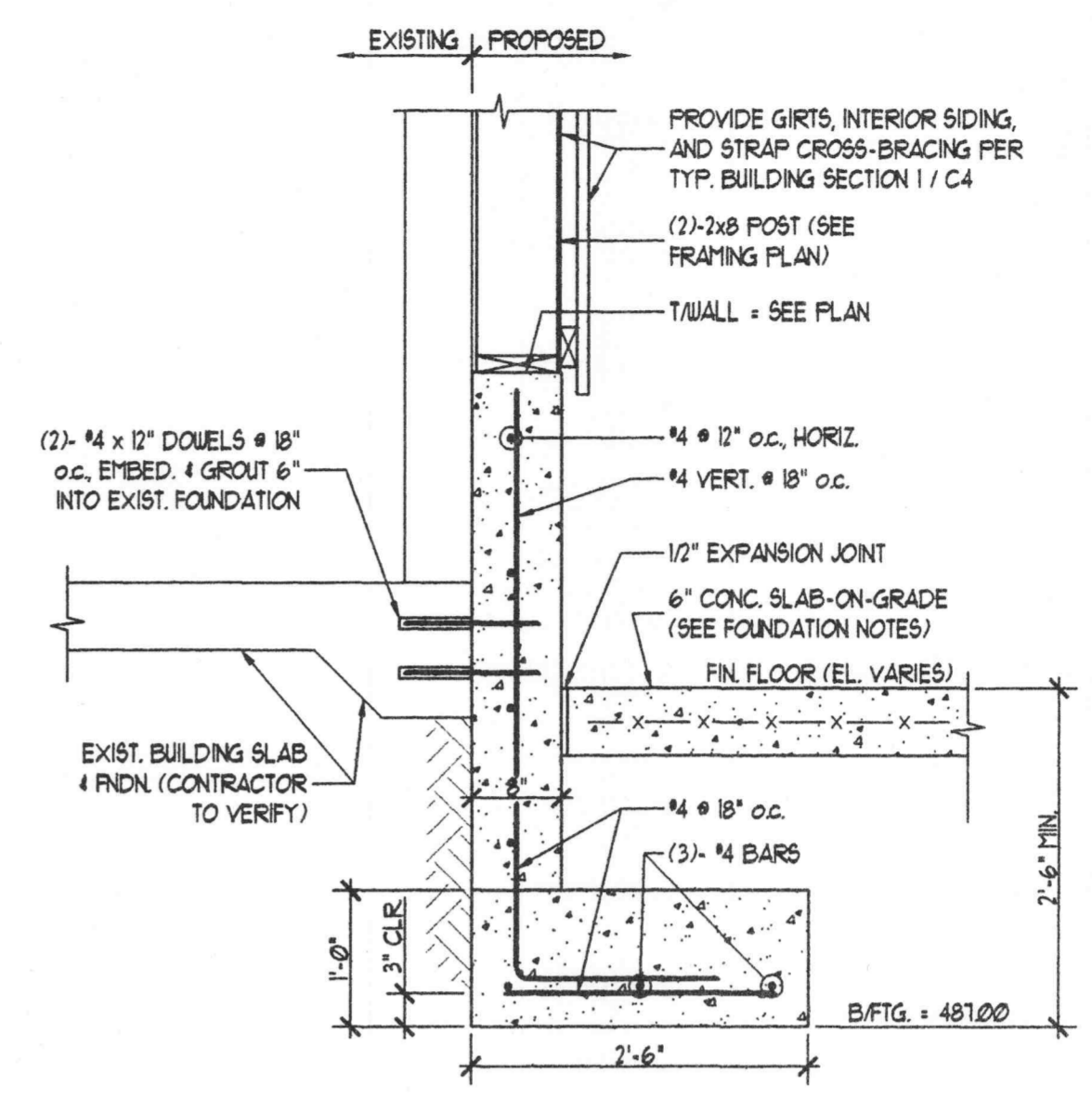
2 POST CONNECTION DETAIL
SCALE: 1 1/2" = 1'-0"



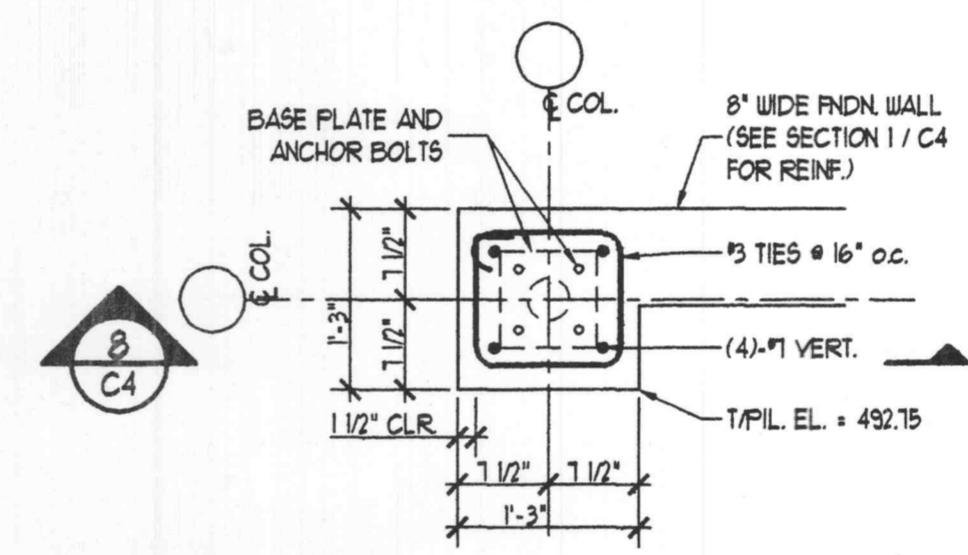
3 TURNED-DOWN SLAB SECTION
SCALE: 3/4" = 1'-0"



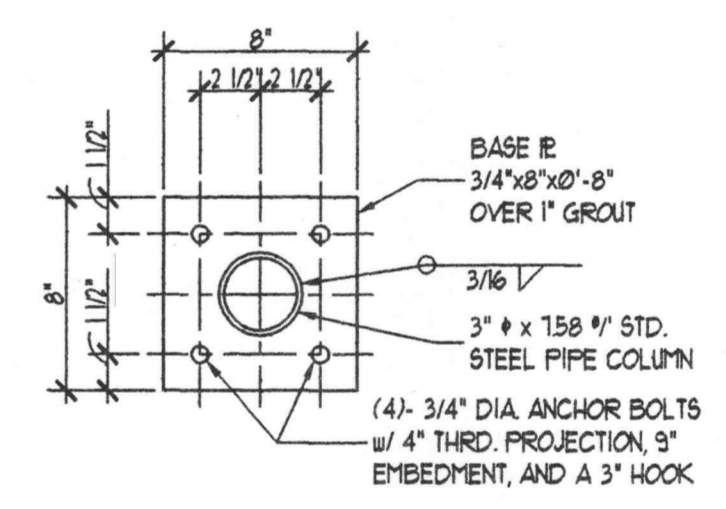
4 FOUNDATION SECTION
SCALE: 3/4" = 1'-0"



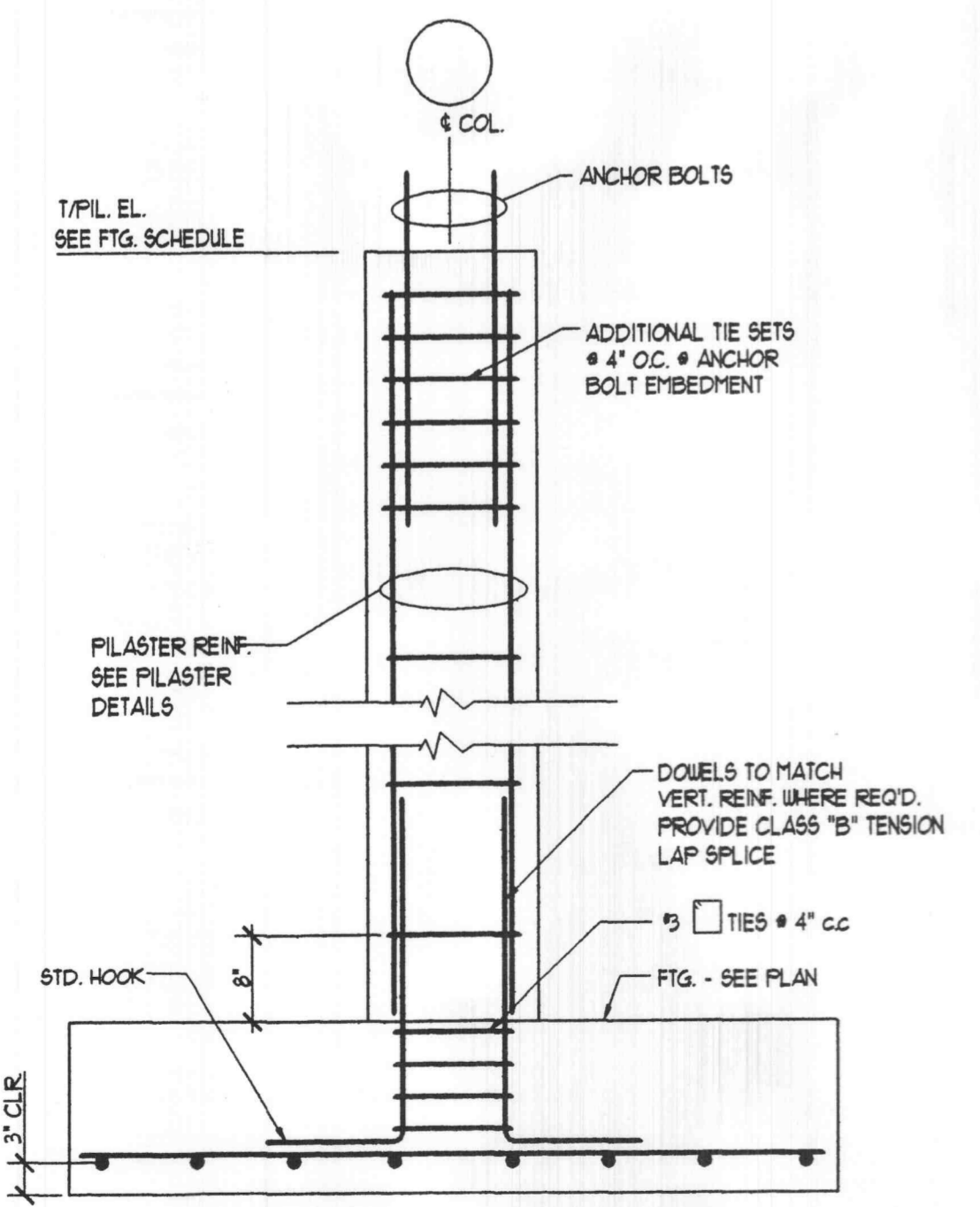
5 FOUNDATION SECTION
SCALE: 3/4" = 1'-0"



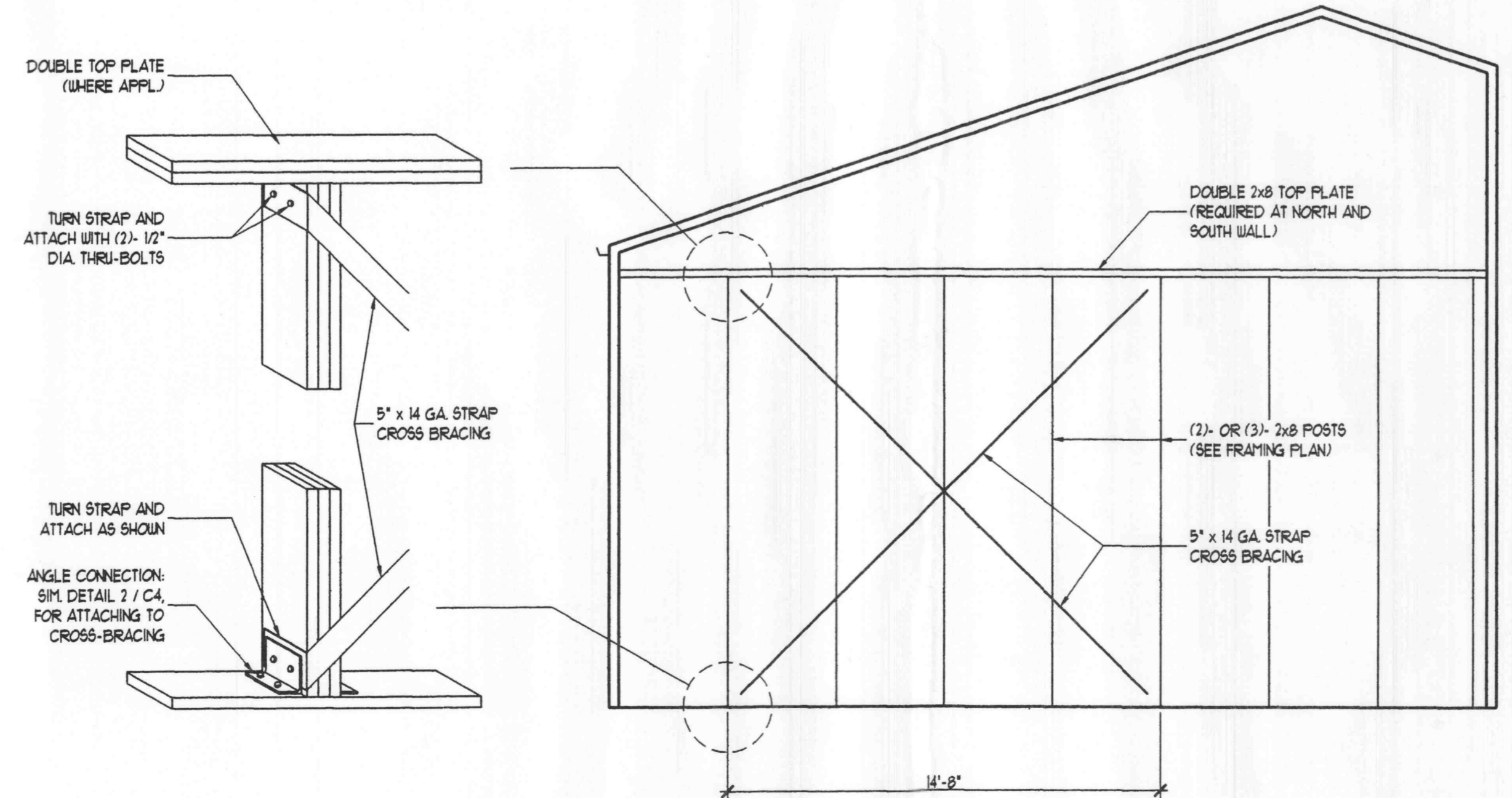
6 PILASTER DETAIL
SCALE: 1 1/2" = 1'-0"



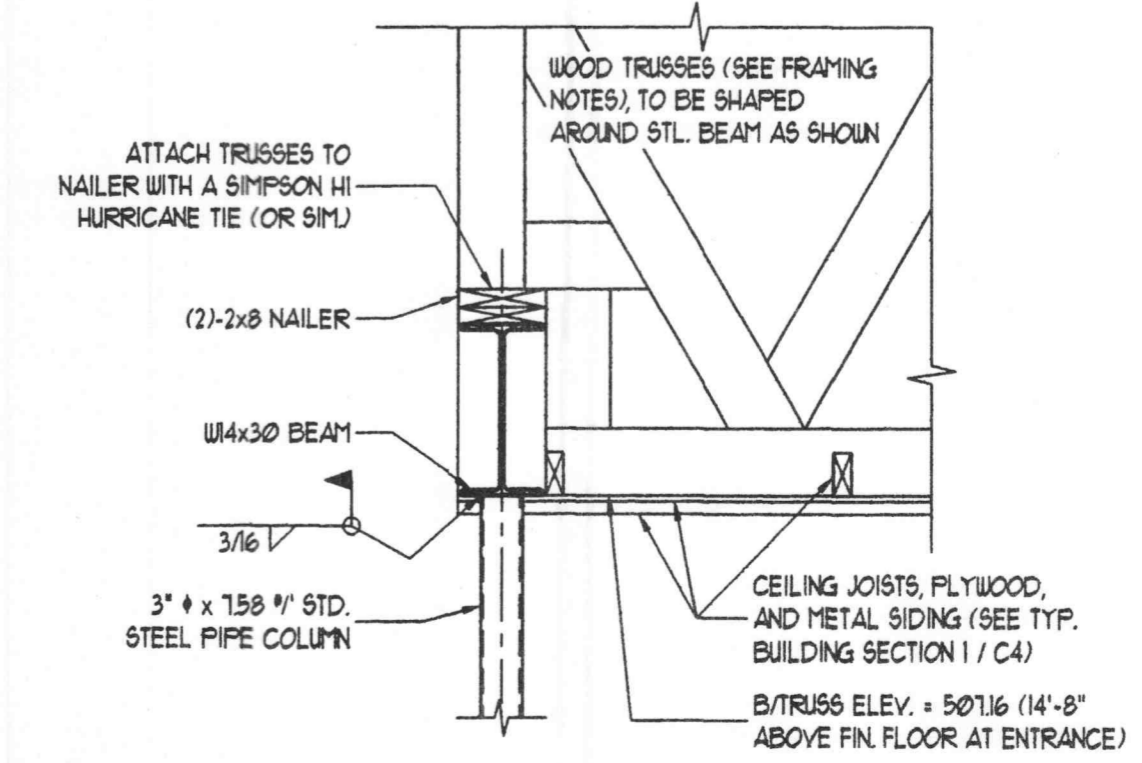
7 DETAIL - BASE IR
SCALE: 1 1/2" = 1'-0"



8 TYP. PILASTER / FOOTING DETAIL
(WALL NOT SHOWN FOR CLARITY)
SCALE: N.T.S.



9 CROSS-BRACING DETAIL
SCALE: N.T.S.



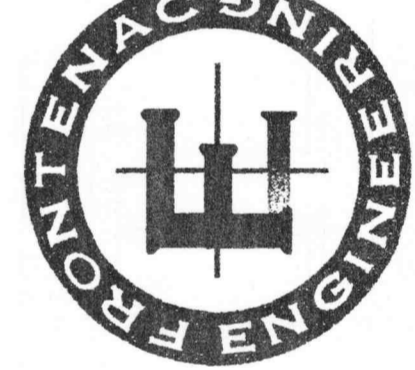
10 SECTION
SCALE: 3/4" = 1'-0"



THE PROFESSIONAL SEAL AND SIGNATURE ARE TO BE APPLIED TO THIS DOCUMENT TO WHICH THEY ARE APPLICABLE. THE ENGINEER EXPRESSLY DISCLAIMS ANY LIABILITY FOR ALL OTHER PLANS, SPECIFICATIONS, OR OTHER DOCUMENTS OR INSTRUMENTS RELATING TO OR ATTACHED TO THIS PROJECT TO THE EXTENT OF THIS PROJECT TO WHICH THIS DOCUMENT REFERS. CONSULTING AND ENGINEERING GROUP, INC.

NO.	DATE	REVISIONS	ISSUE / REVISION DESCRIPTIONS
3	9/15/02	C-145, Review Comments	
2	7/23/02	CITY REVIEW COMMENTS	
1	5/30/02	P & Z COMMENTS	

CIVIL STRUCTURAL / LAND SURVEYING
#16 SUNNEN DRIVE, SUITE 105
ST. LOUIS, MISSOURI 63143
(314) 644-2200 FAX (314) 644-0645
EMAIL: MAIL@FRONTENACENGINEERING.COM



DATE:	CHECKED:	DRAWN:	SCALE:	NOTED:
5/30/02	R.J.B.	M.L.A.		

BUILDING SECTIONS AND DETAILS
GATEWAY BOBCAT OF O'FALLON
1885 WEST TERRA AVENUE,
O'FALLON MO. 63366

SHEET NO. **C4**
4 OF 4