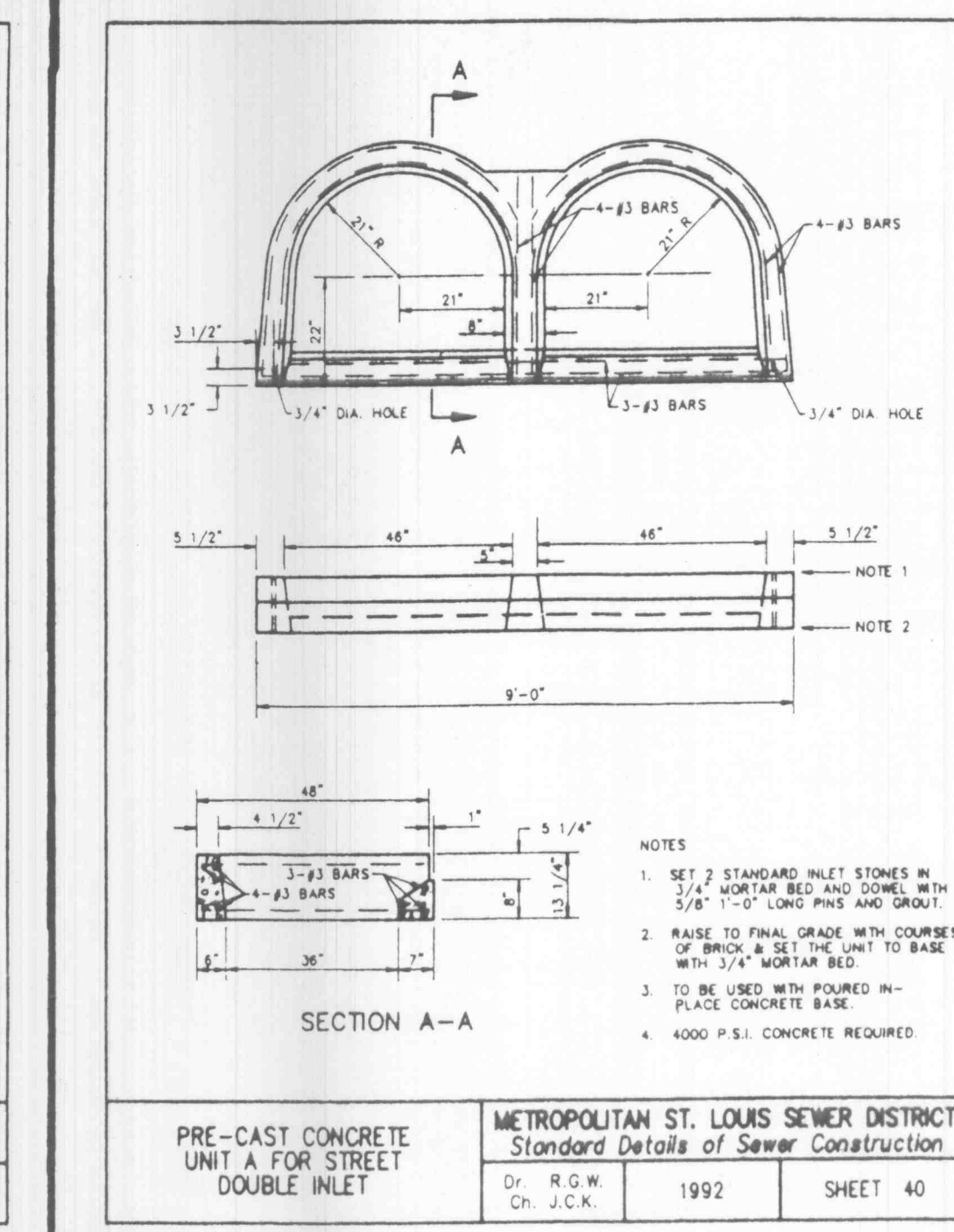
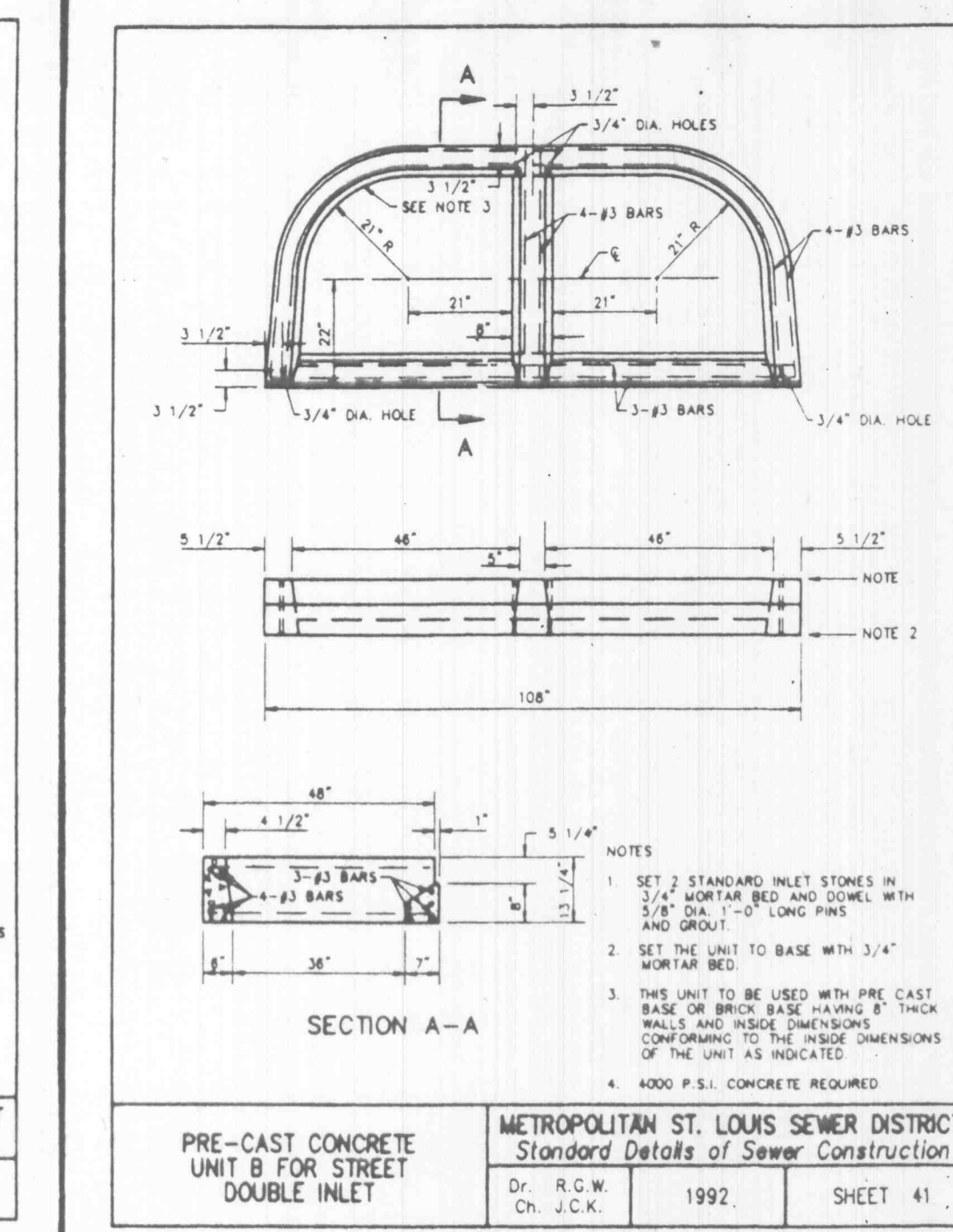


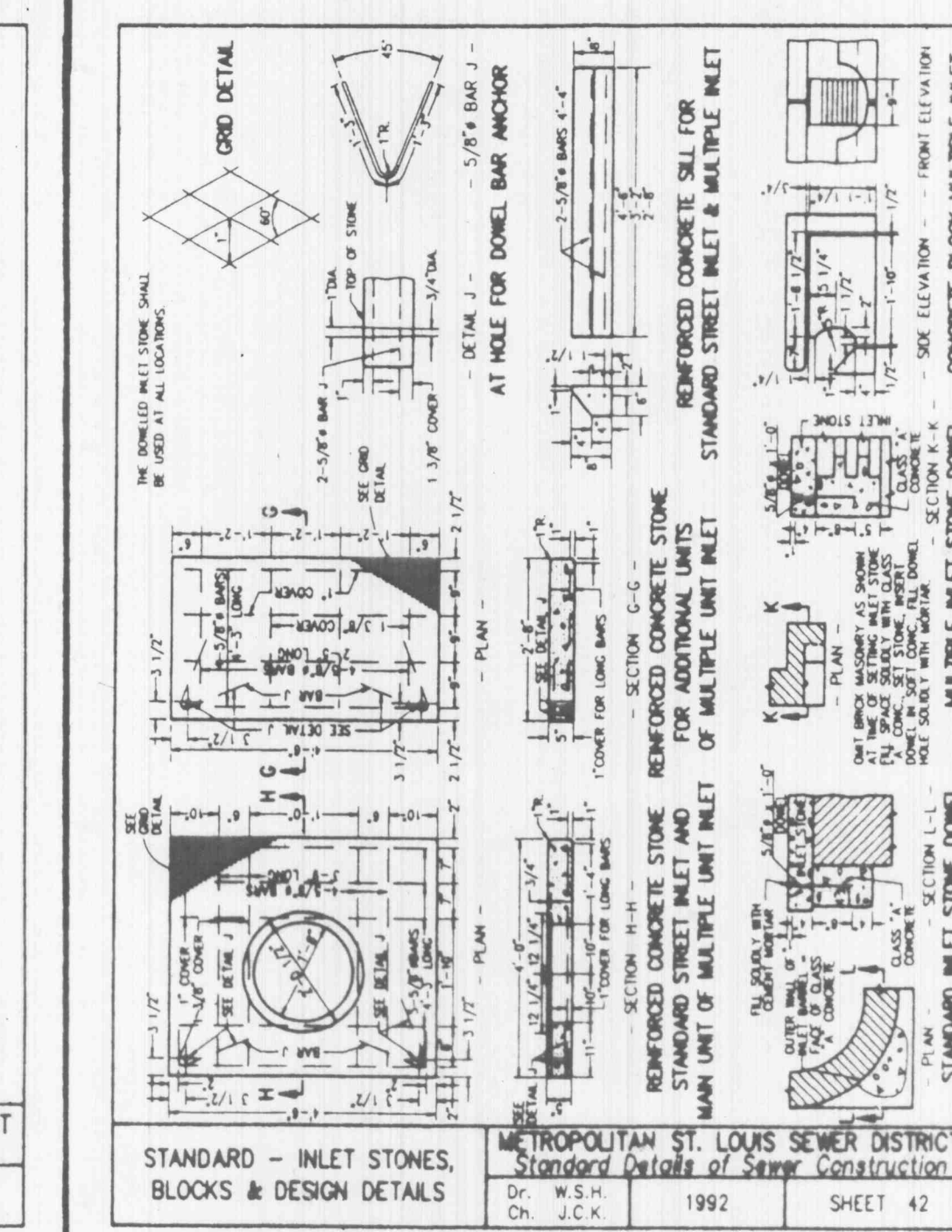
CONCRETE DOUBLE STREET INLET W/PRE CAST CONCRETE UNIT A



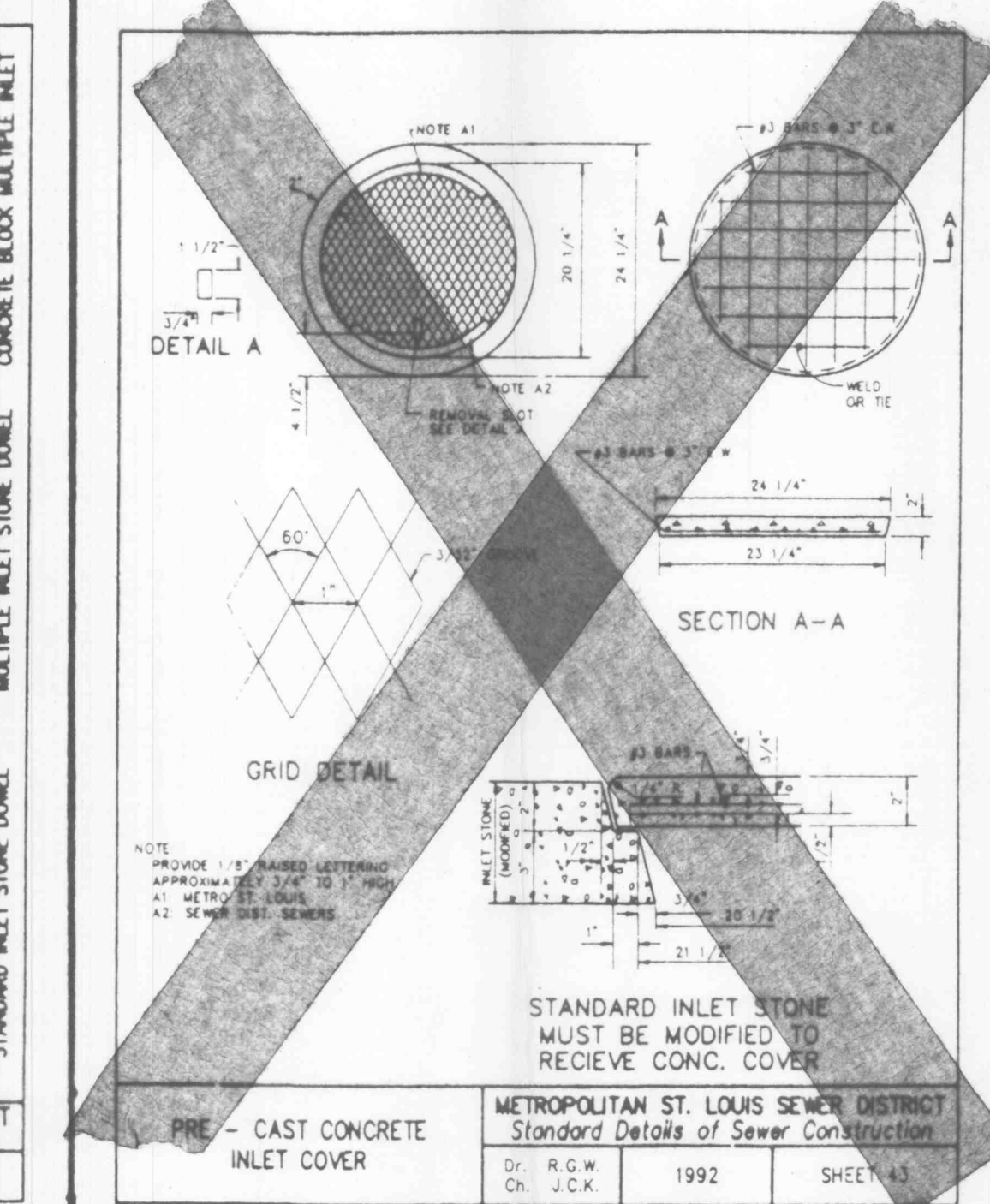
PRE-CAST CONCRETE UNIT A FOR STREET DOUBLE INLET



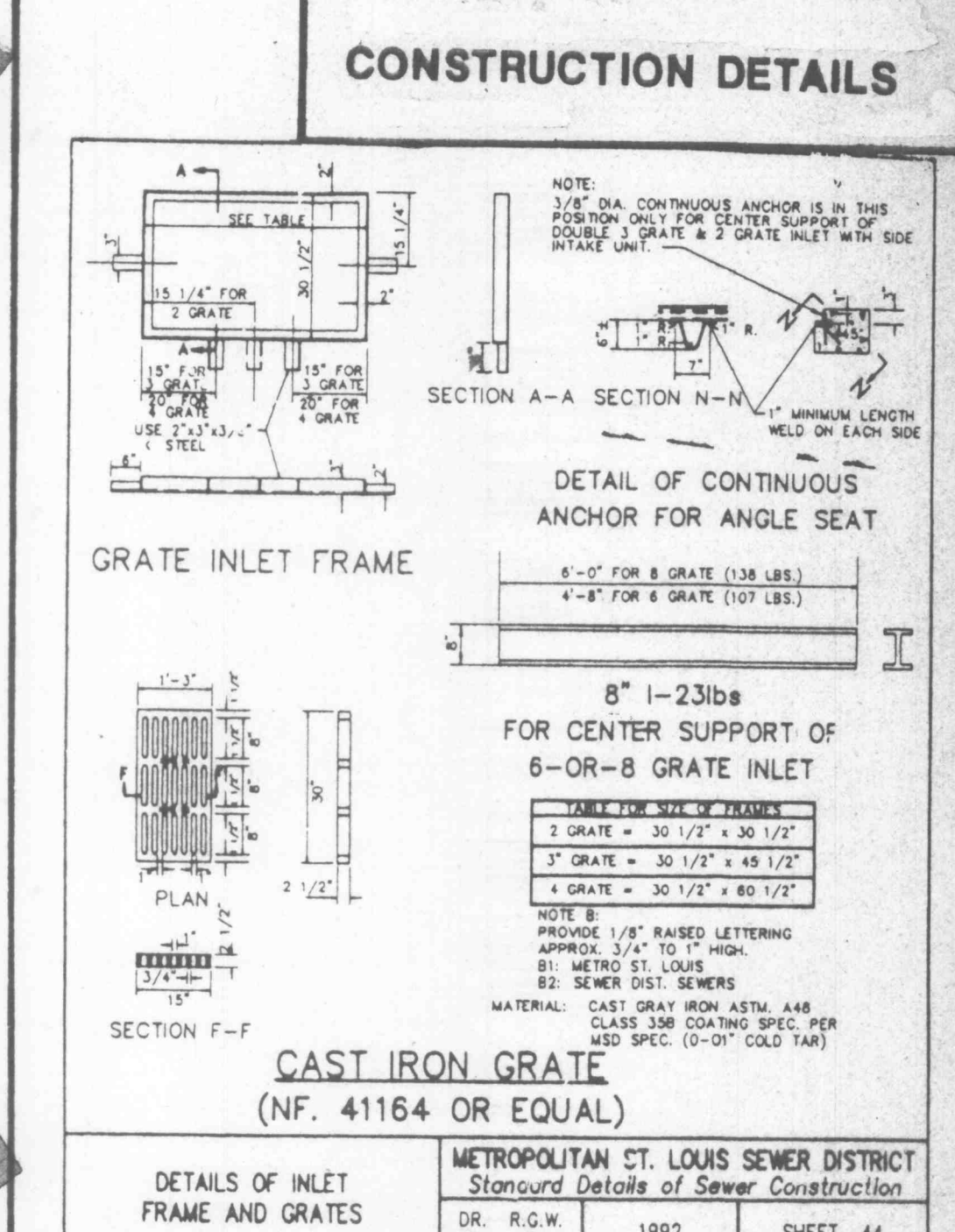
PRE-CAST CONCRETE UNIT B FOR STREET DOUBLE INLET



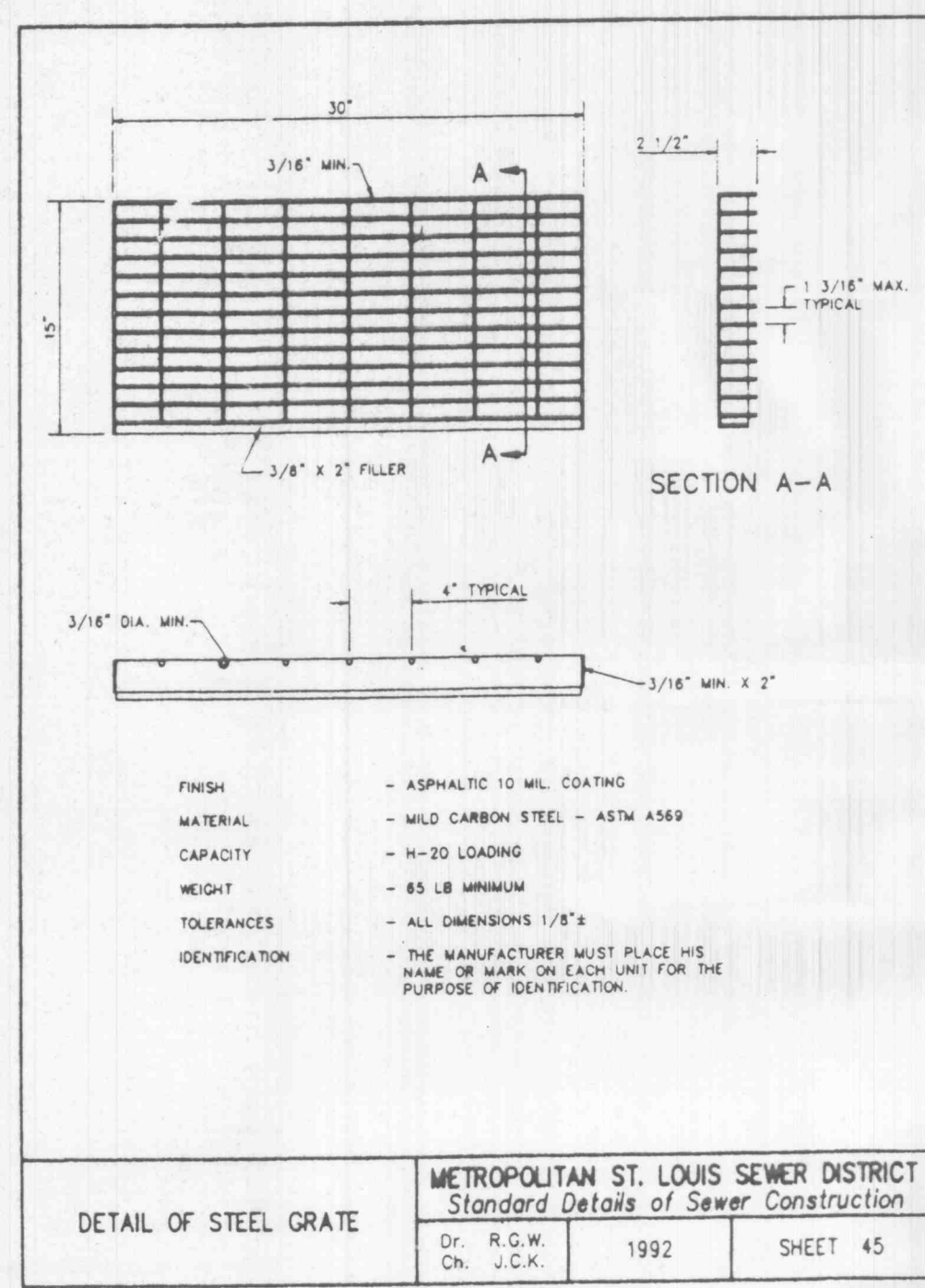
STANDARD - INLET STONES, BLOCKS & DESIGN DETAILS



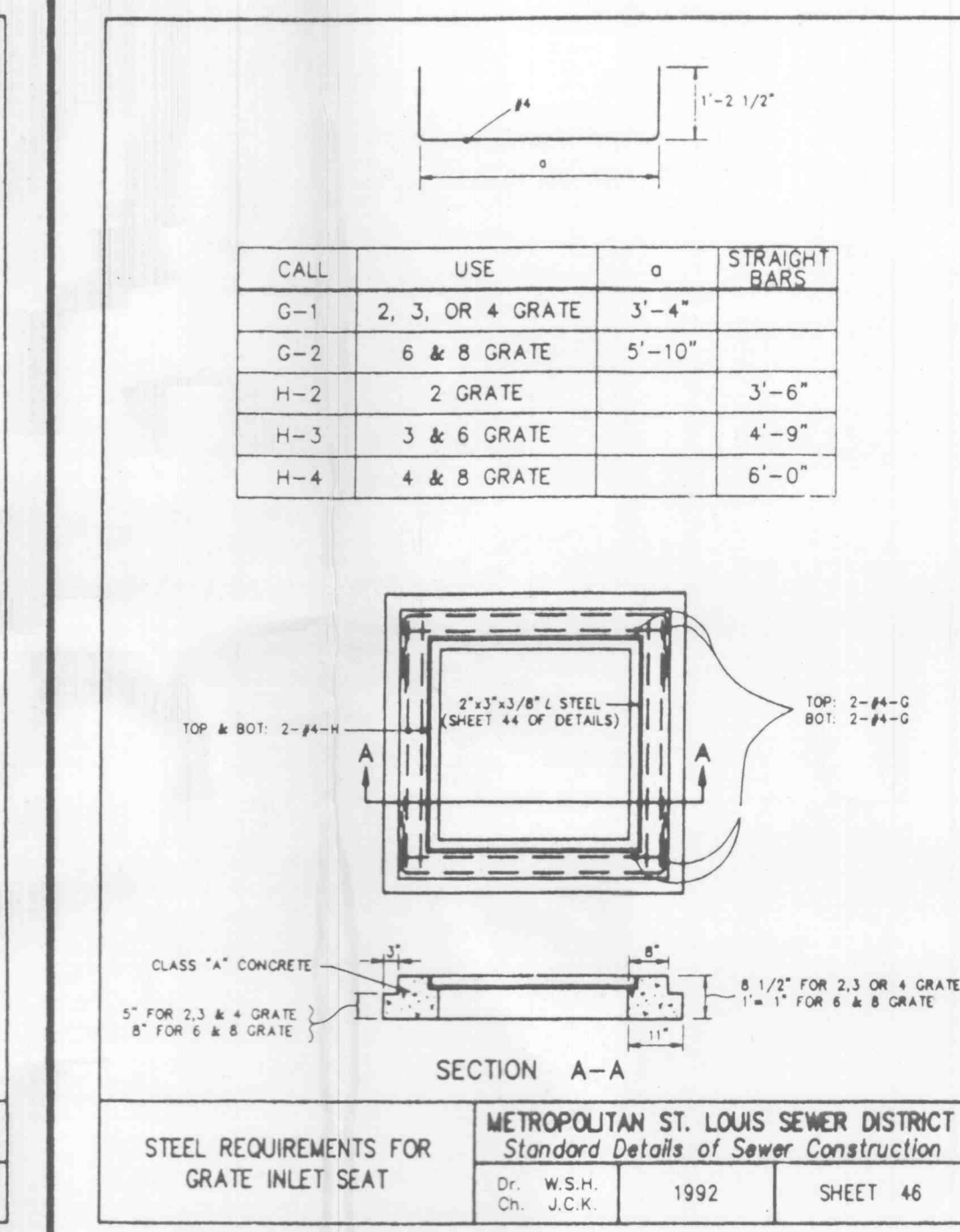
PRE-CAST CONCRETE INLET COVER



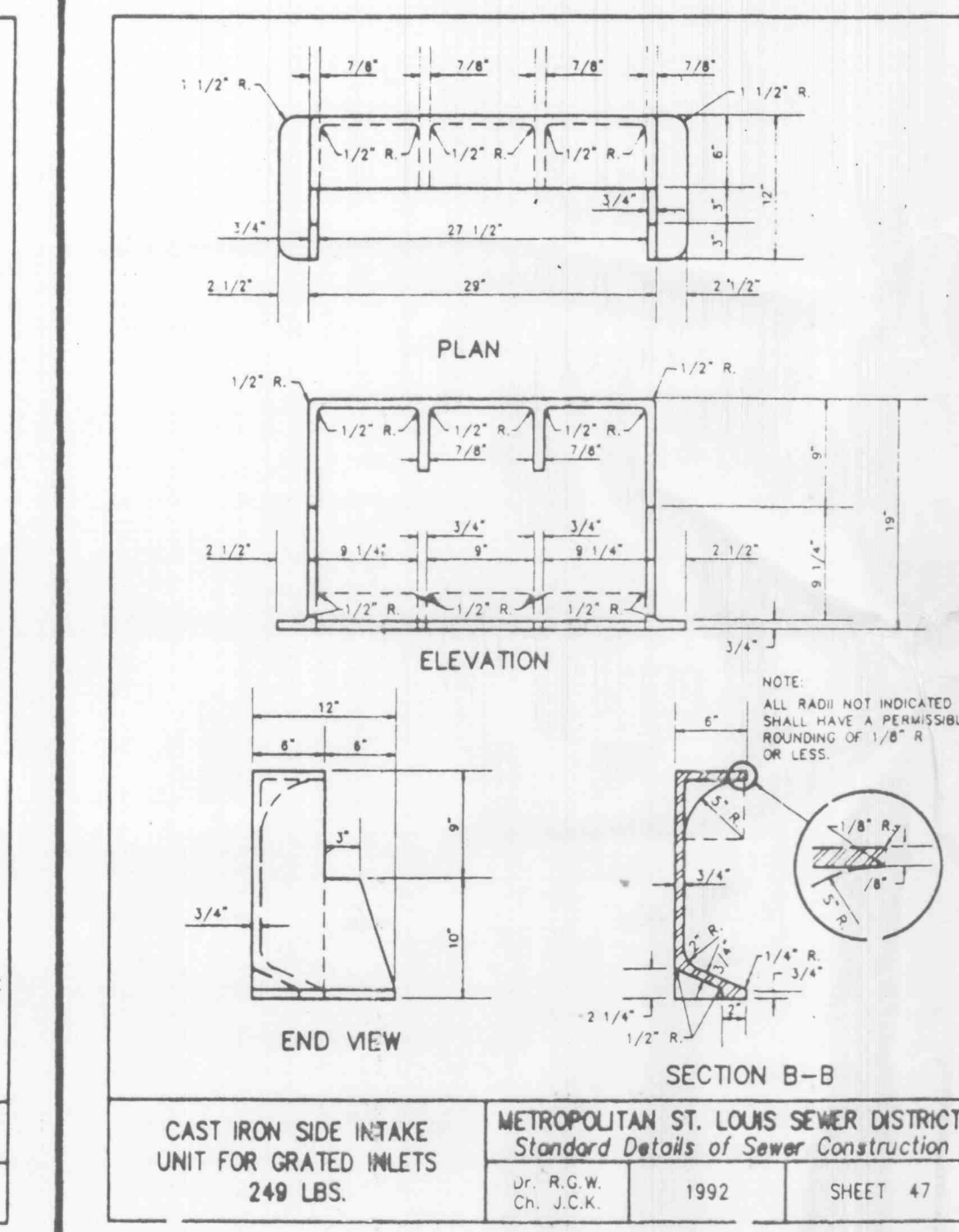
DETAILS OF INLET FRAME AND GRATES



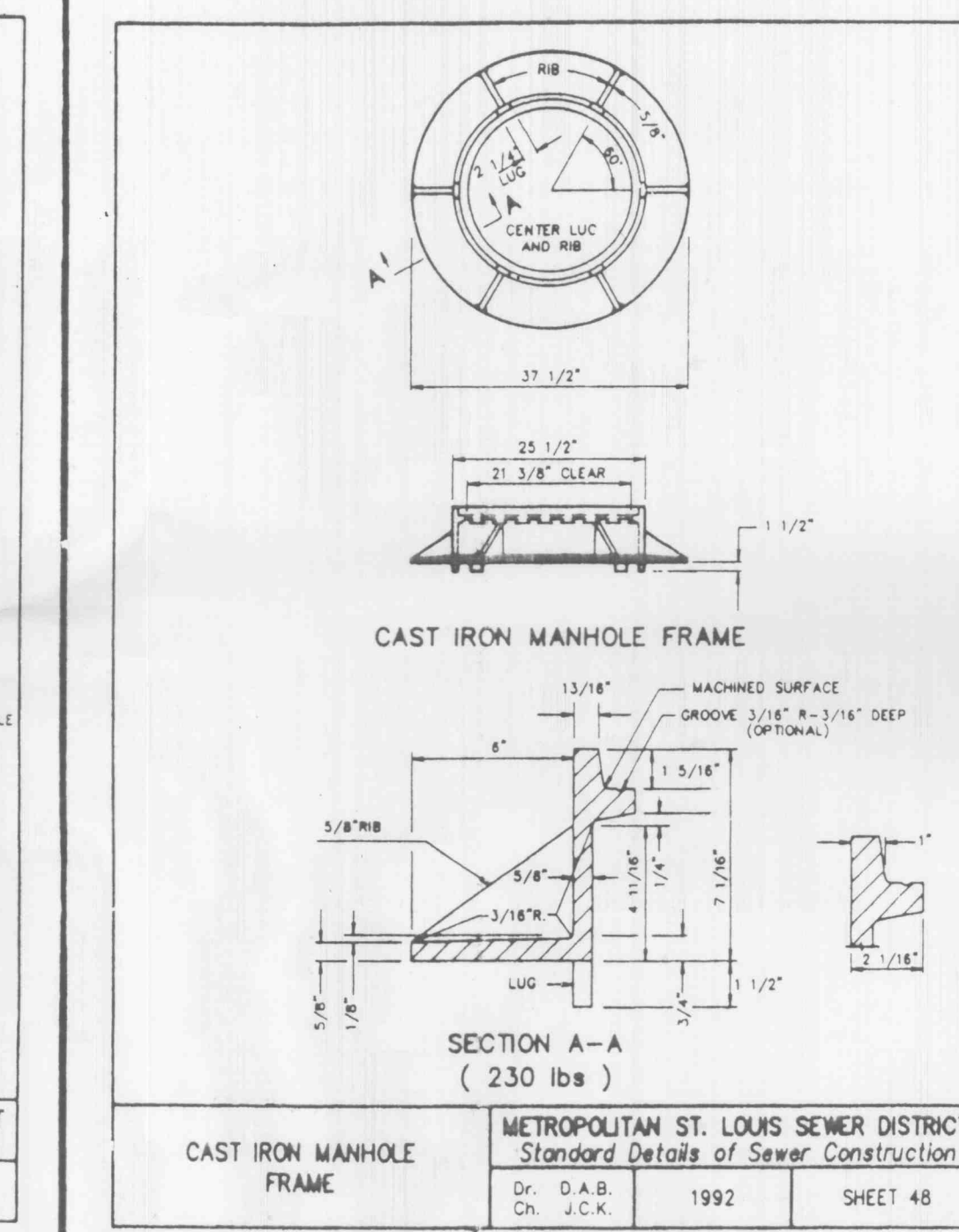
DETAIL OF STEEL GRATE



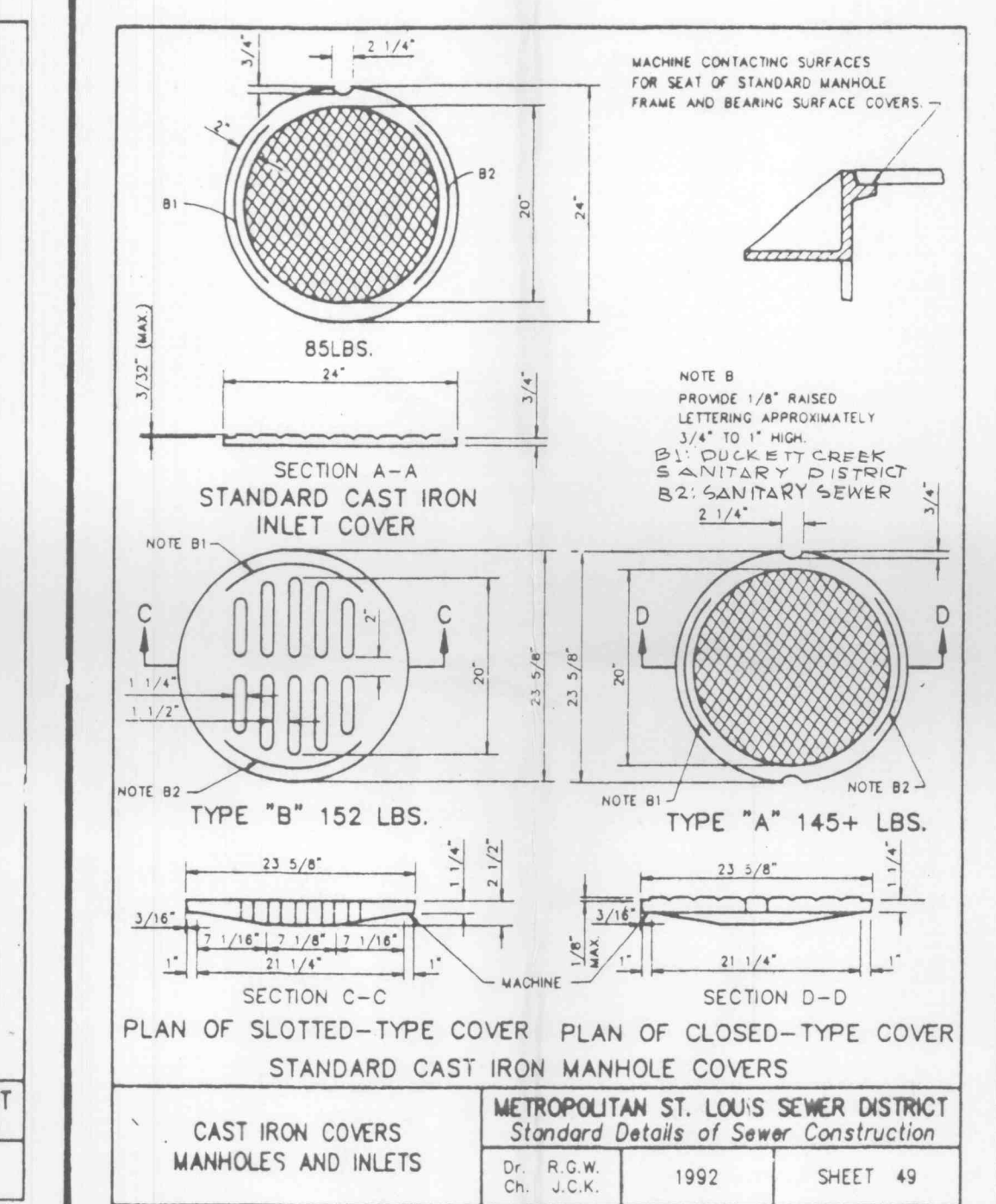
STEEL REQUIREMENTS FOR GRATE INLET SEAT



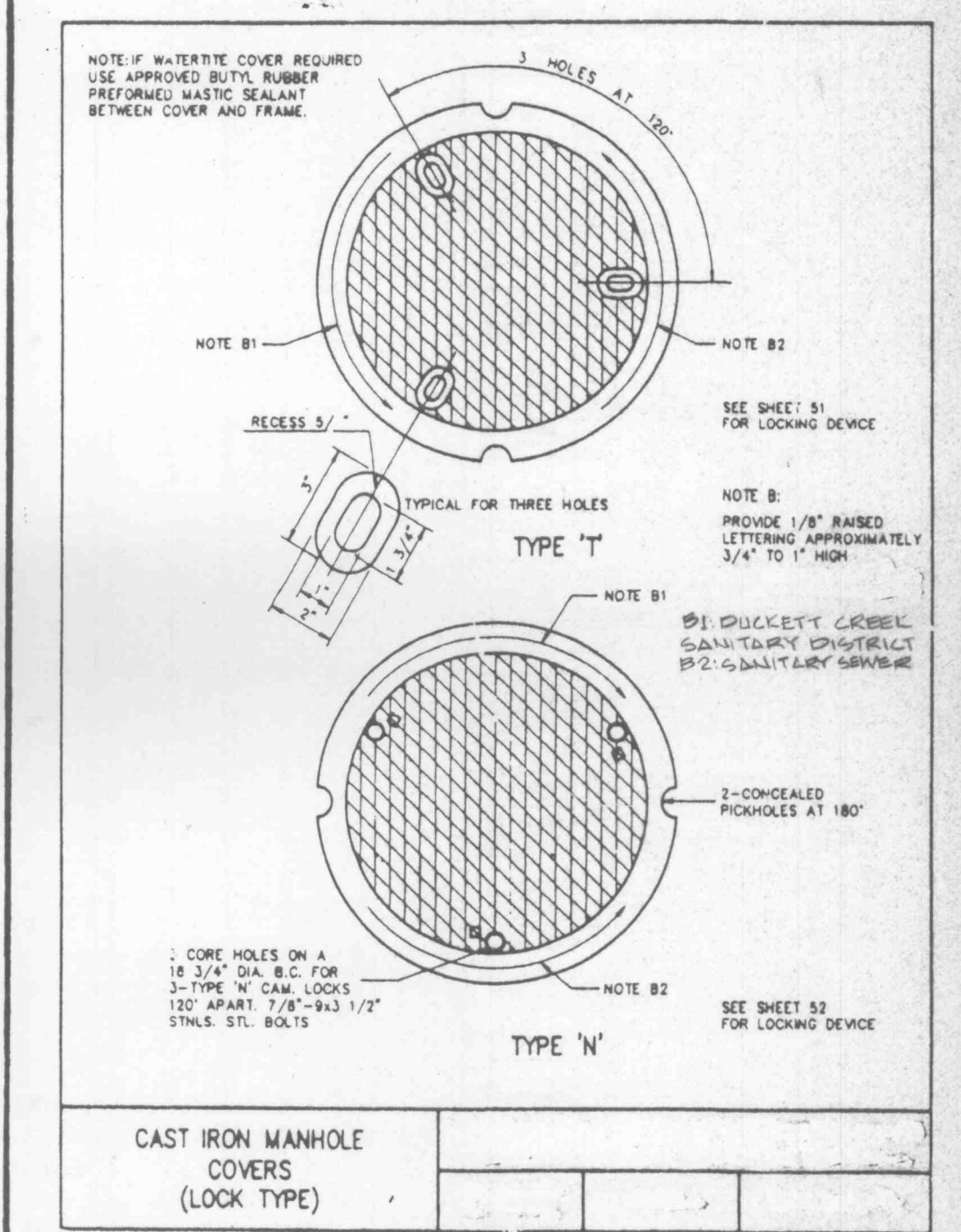
CAST IRON SIDE INTAKE UNIT FOR GRATED INLETS 249 LBS.



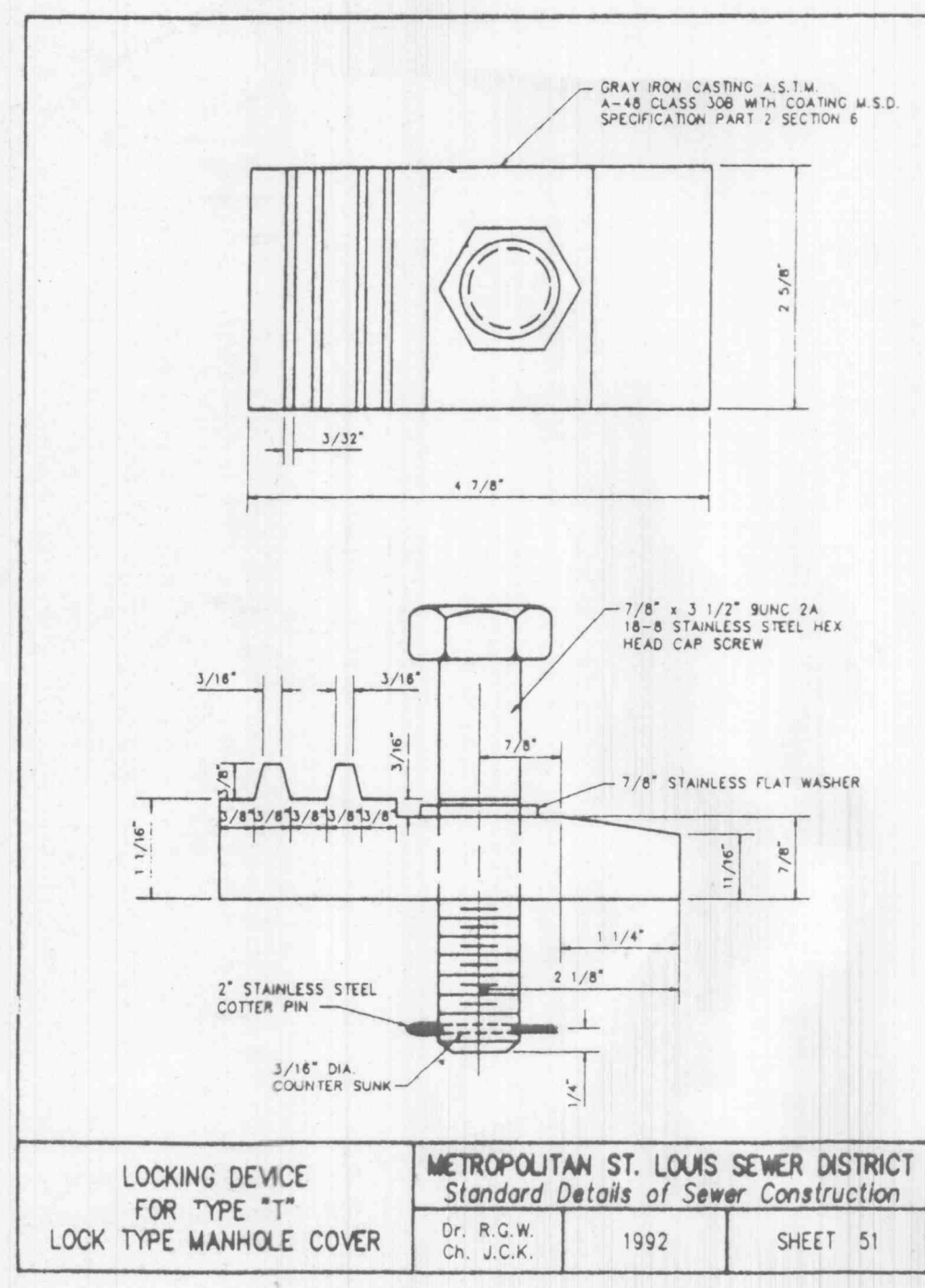
CAST IRON MANHOLE FRAME



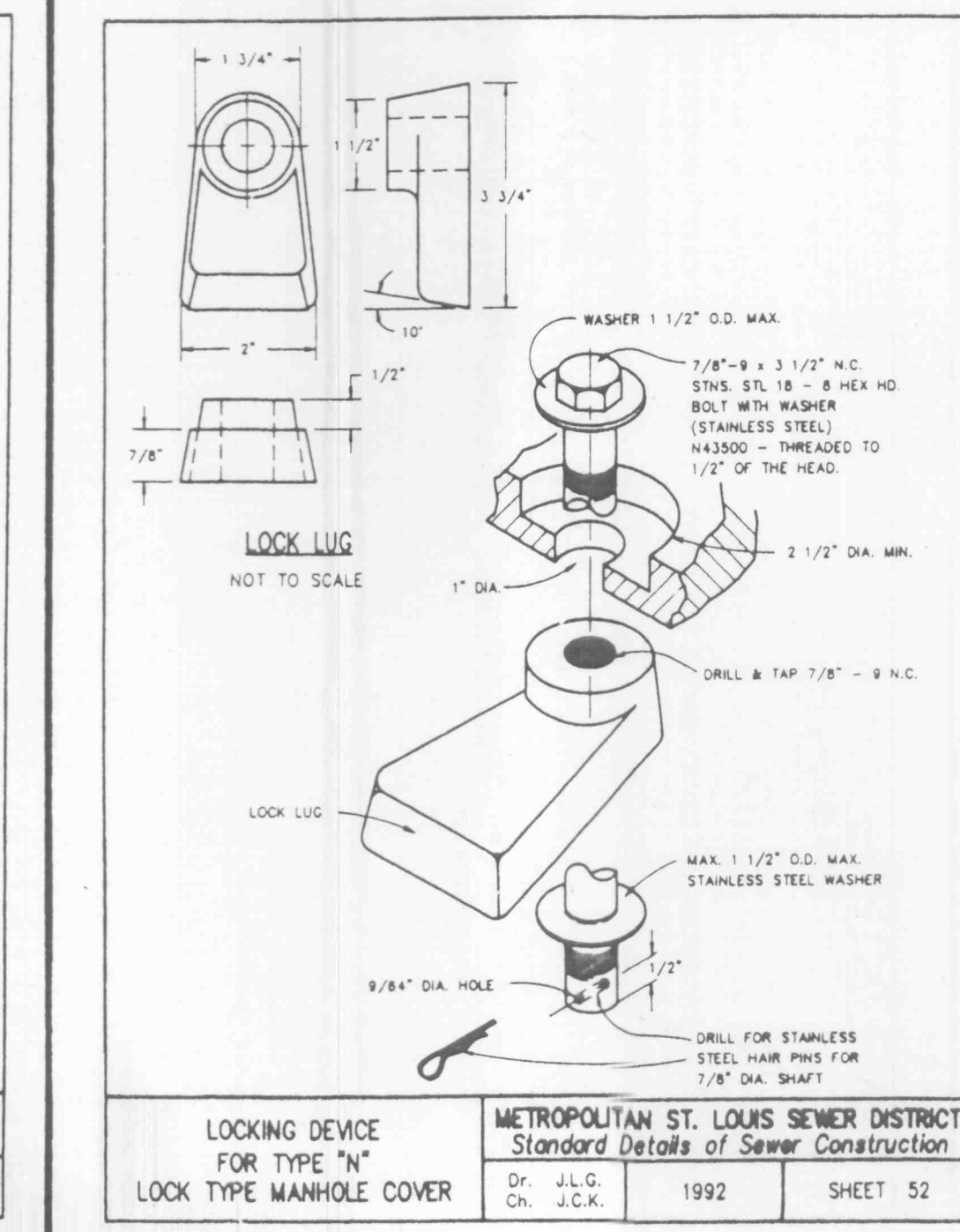
CAST IRON COVERS MANHOLES AND INLETS



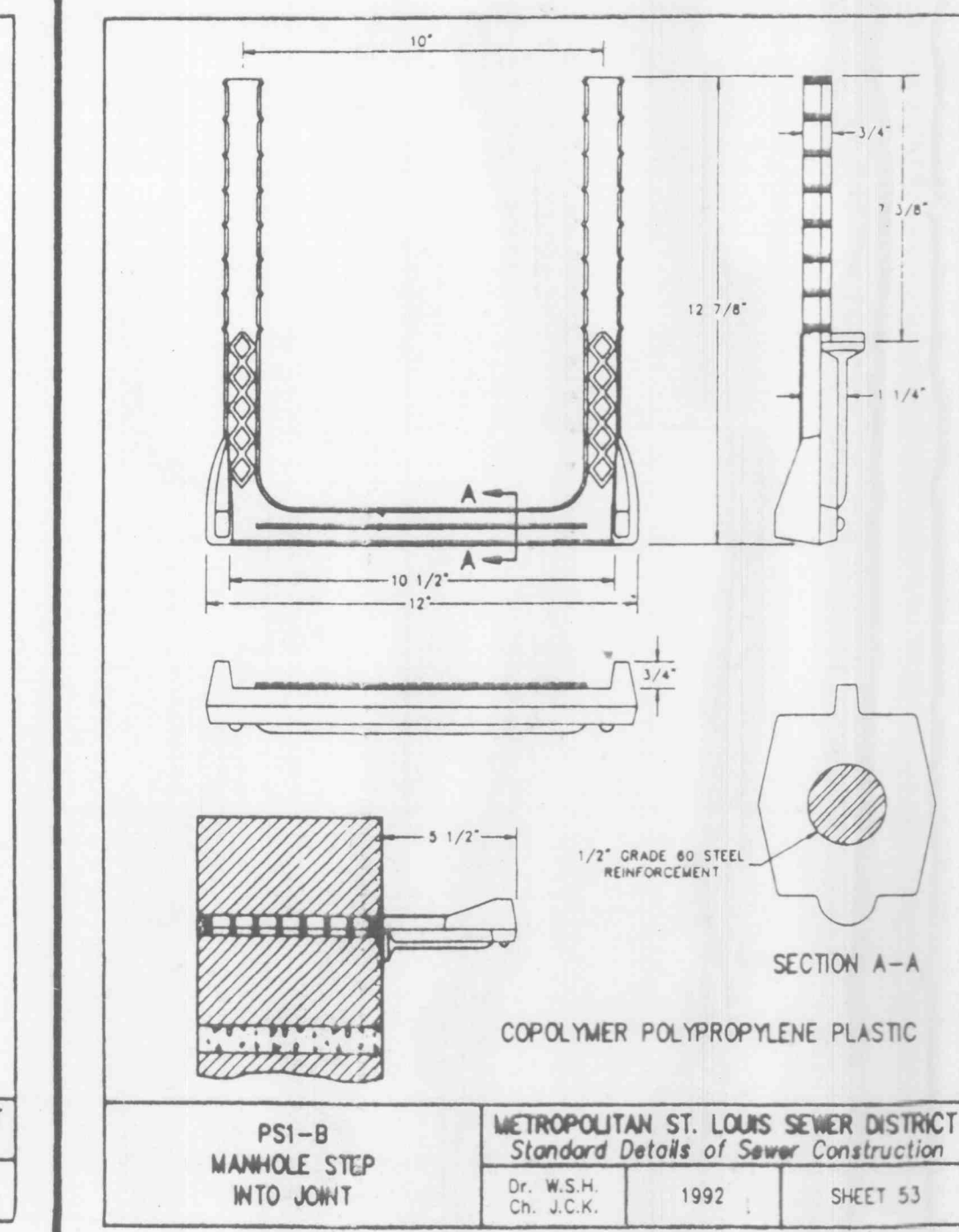
CAST IRON MANHOLE COVERS (LOCK TYPE)



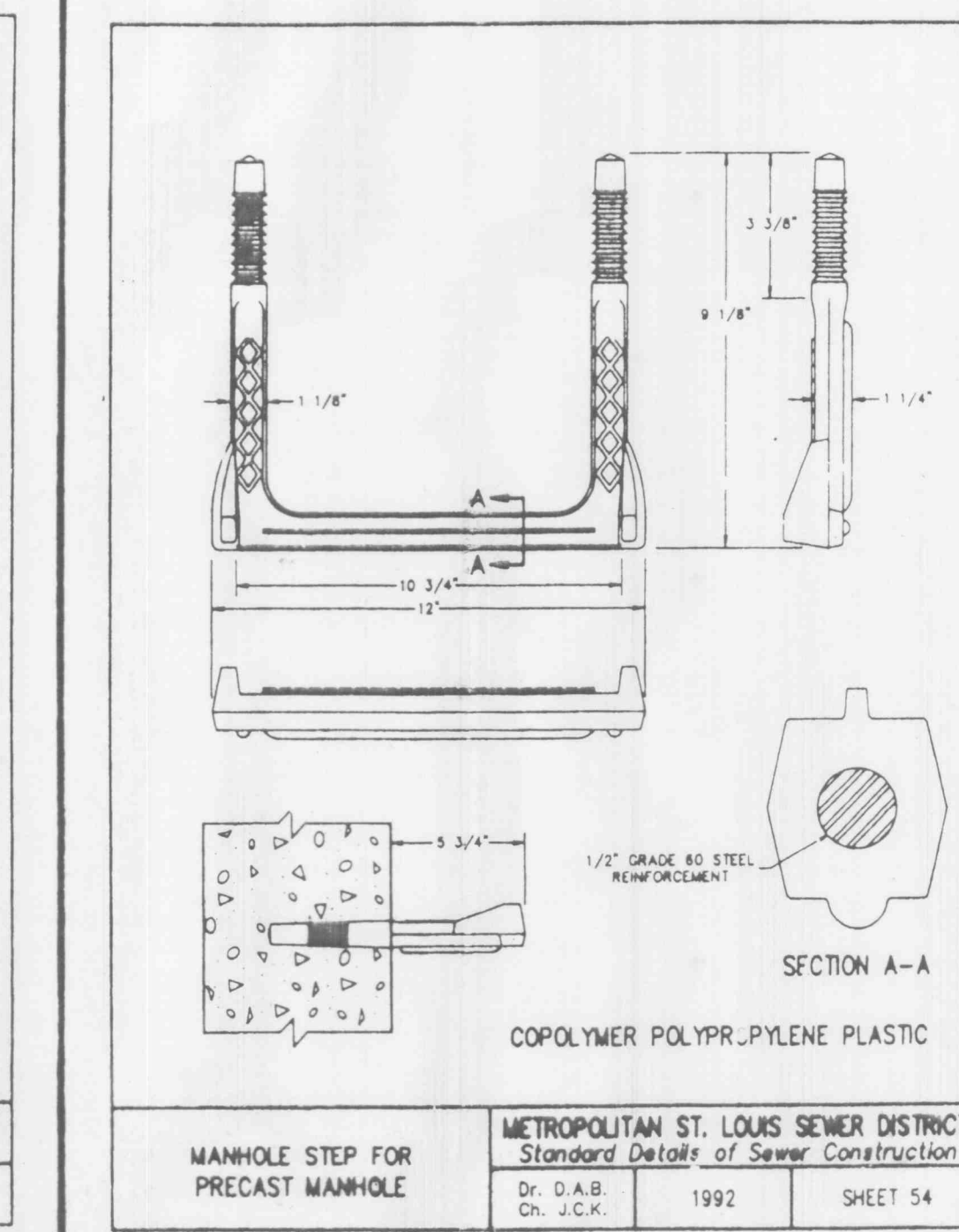
LOCKING DEVICE FOR TYPE 'T' LOCK TYPE MANHOLE COVER



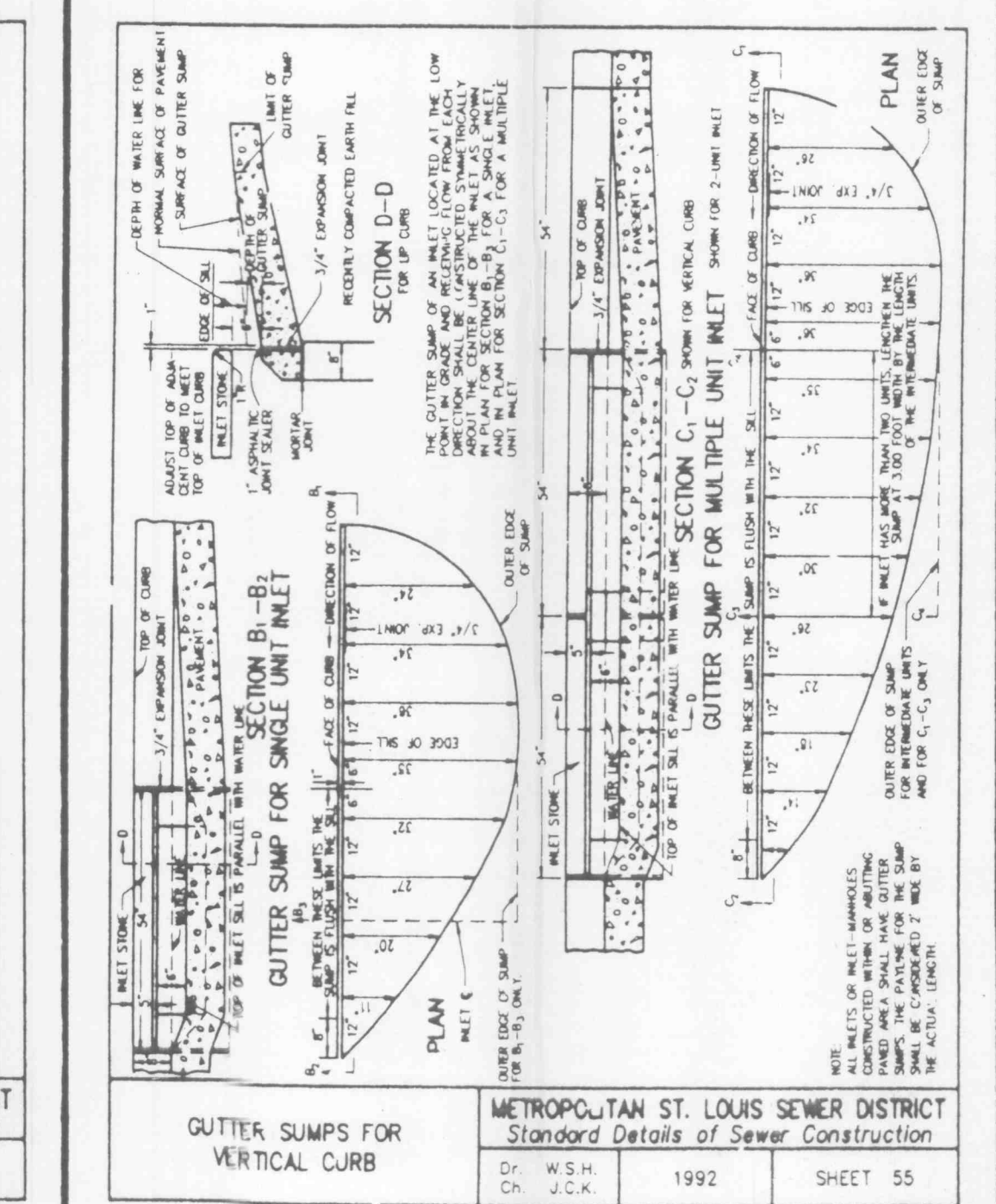
LOCKING DEVICE FOR TYPE 'N' LOCK TYPE MANHOLE COVER



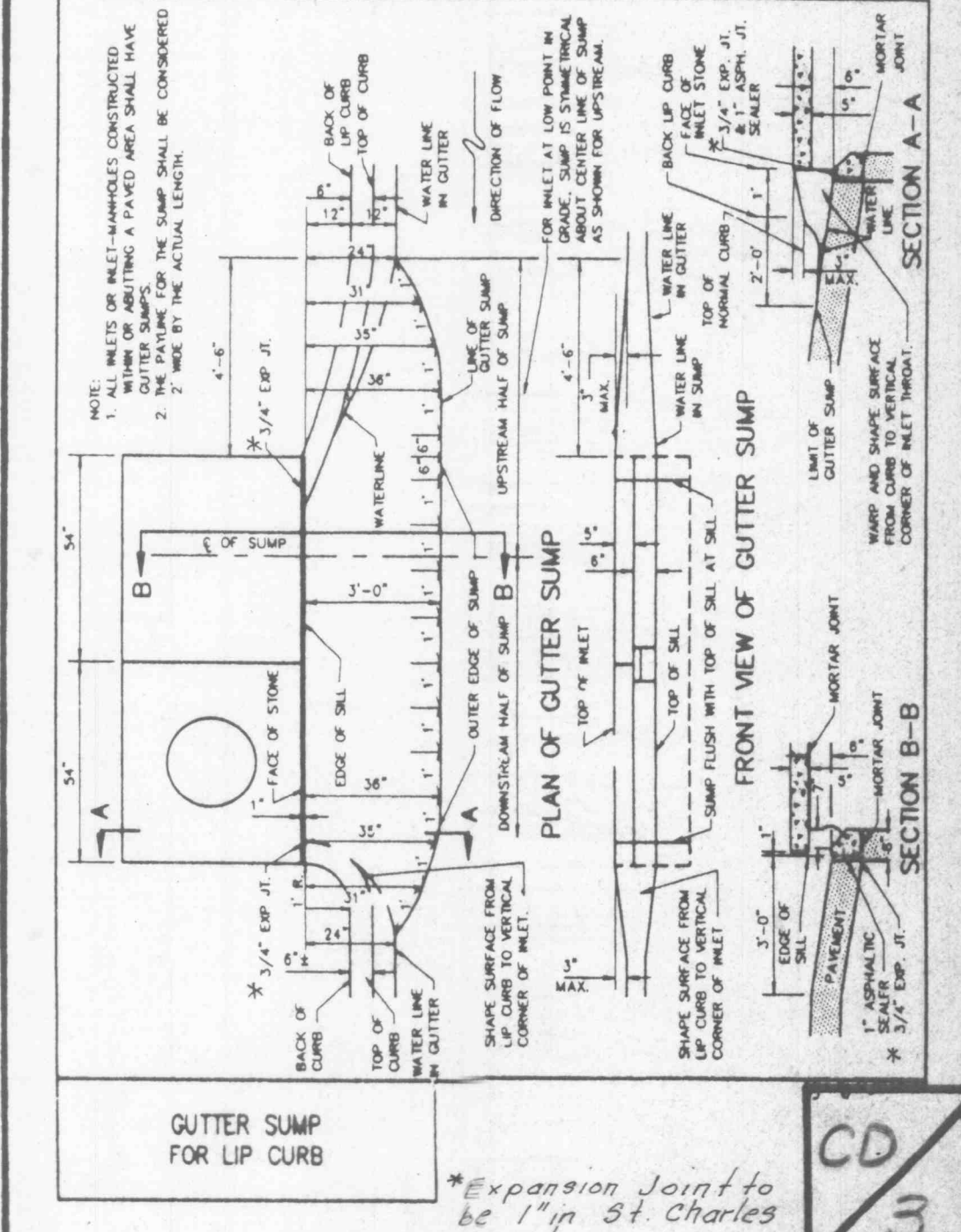
PSI-B MANHOLE STEP INTO JOINT



MANHOLE STEP FOR PRECAST MANHOLE



GUTTER SUMPS FOR VERTICAL CURB



GUTTER SUMP FOR LIP CURB

CD 3