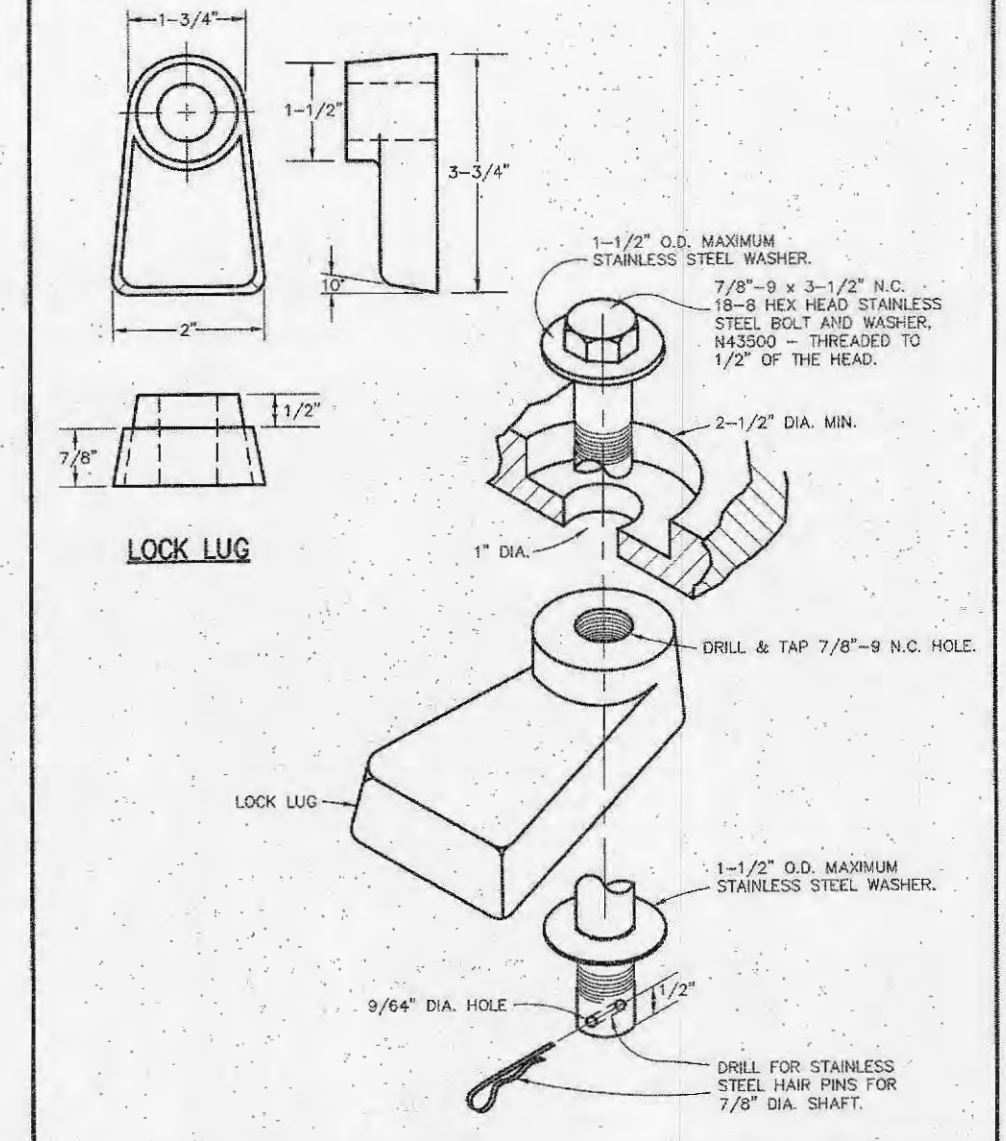
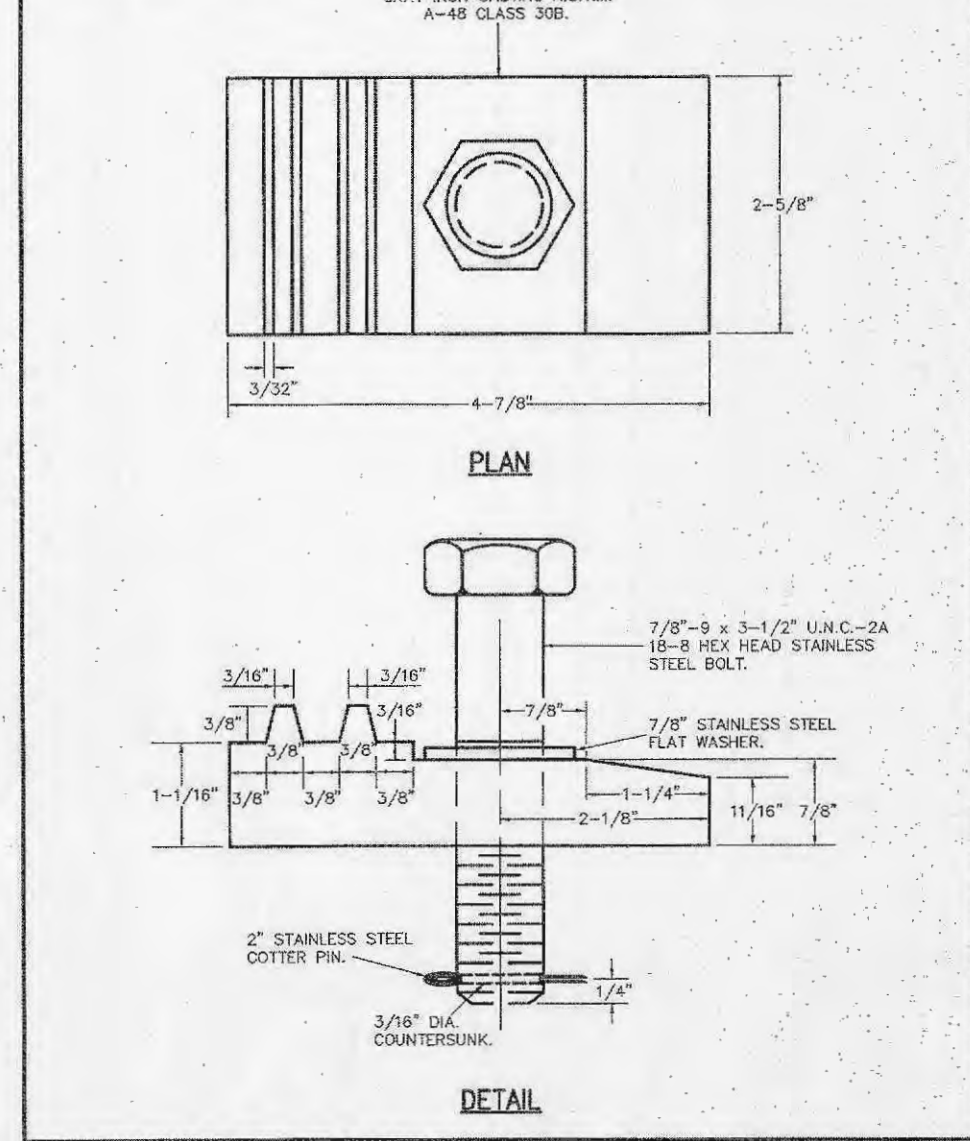


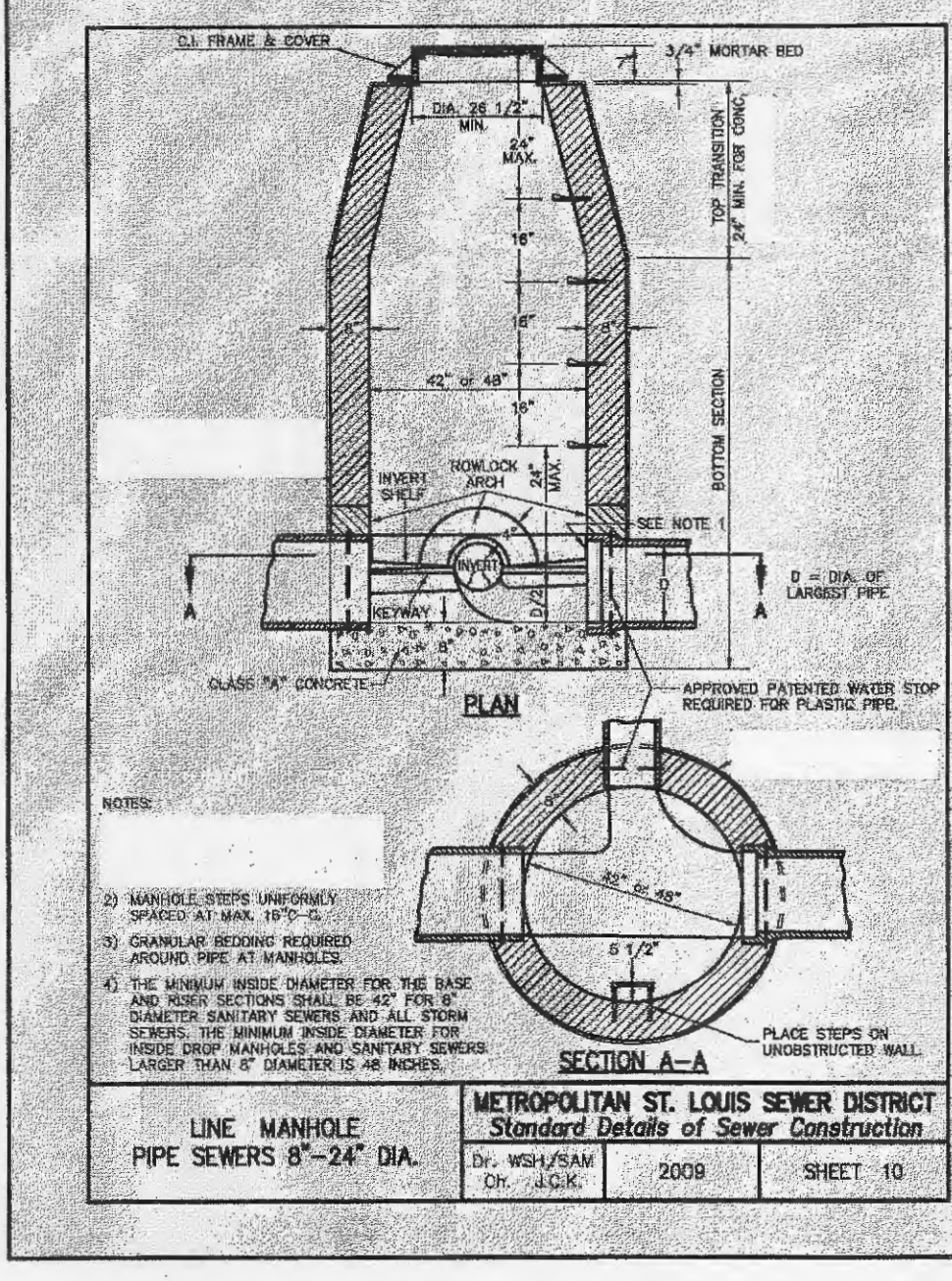
CAST IRON MANHOLE COVERS (LOCK TYPE)
METROPOLITAN ST. LOUIS SEWER DISTRICT
 Standard Details of Sewer Construction
 Dr. WSH/SAM Ch. J.C.K. 2009 SHEET 54



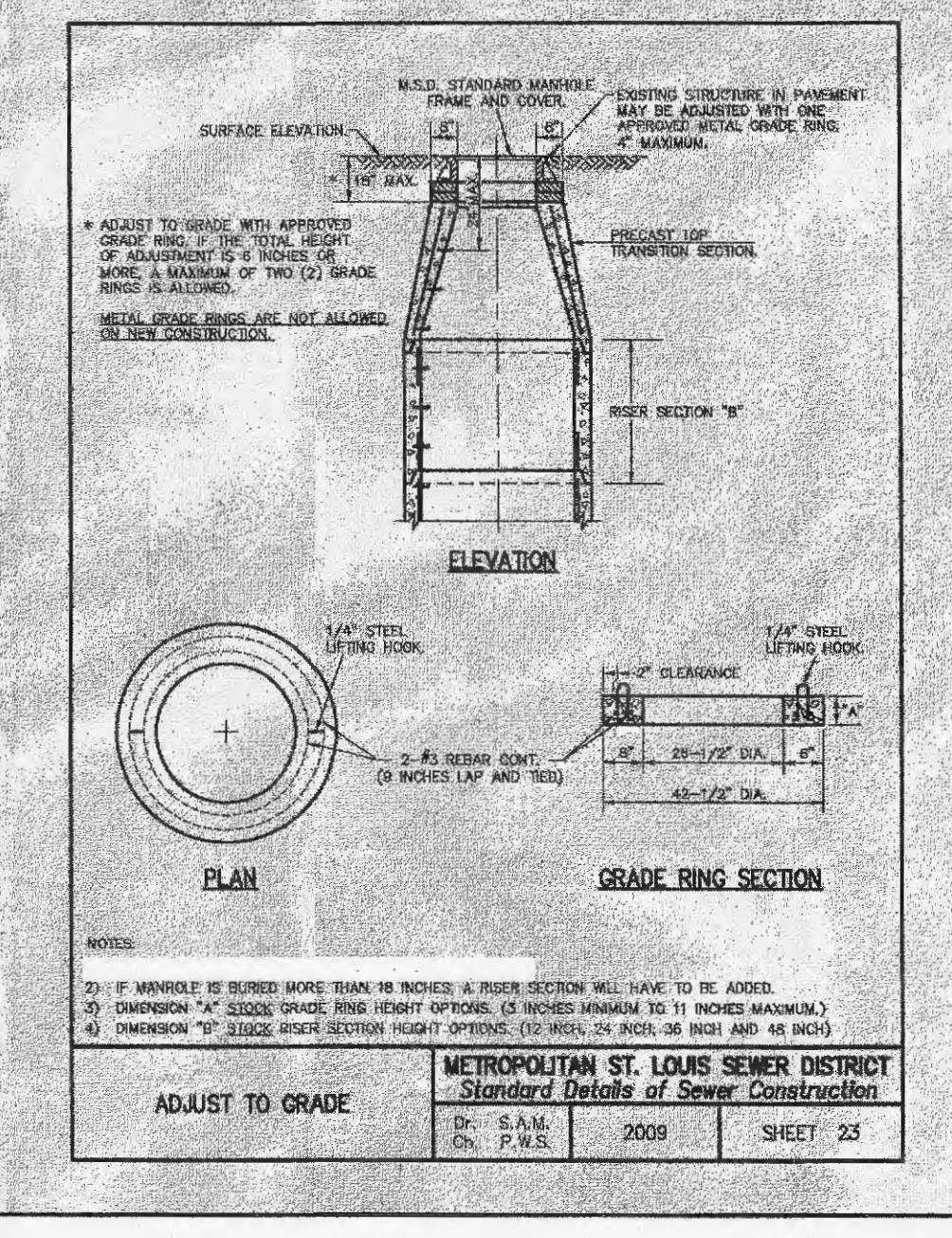
LOCKING DEVICE FOR TYPE "N" LOCK TYPE MANHOLE COVER
METROPOLITAN ST. LOUIS SEWER DISTRICT
 Standard Details of Sewer Construction
 Dr. WSH/SAM Ch. J.C.K. 2009 SHEET 56



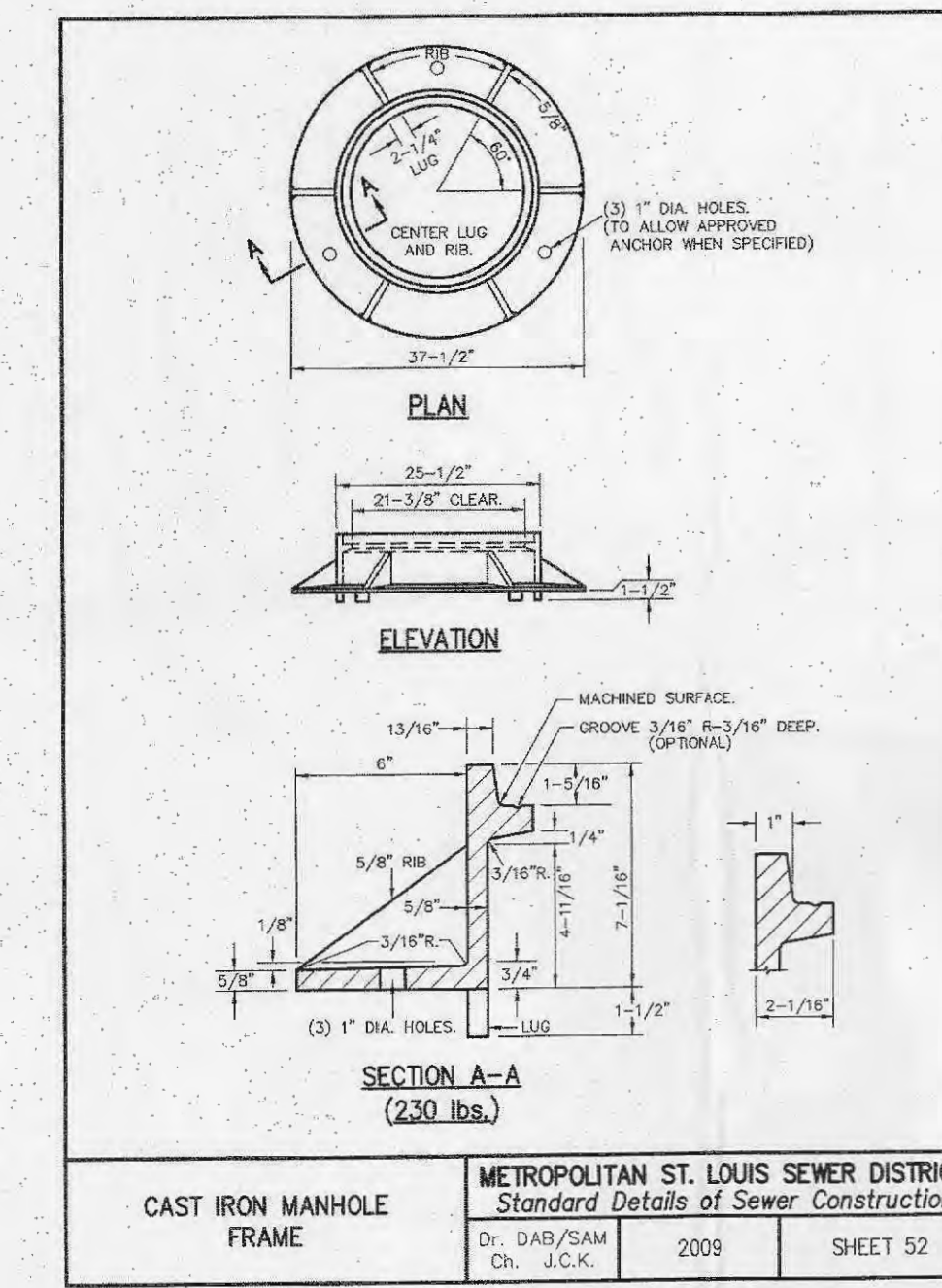
LOCKING DEVICE FOR TYPE "T" LOCK TYPE MANHOLE COVER
METROPOLITAN ST. LOUIS SEWER DISTRICT
 Standard Details of Sewer Construction
 Dr. ROW/SAM Ch. J.C.K. 2009 SHEET 55



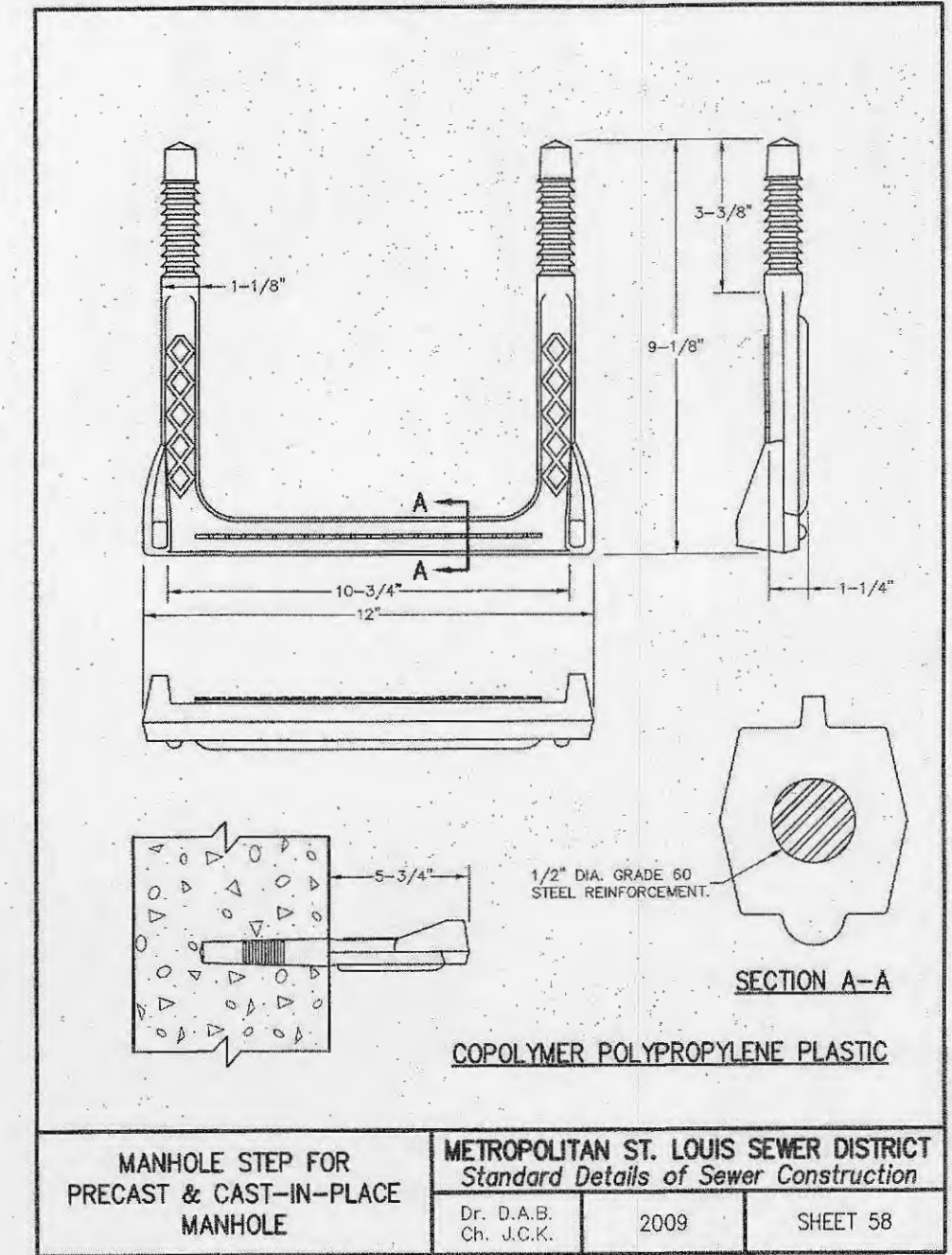
LINE MANHOLE PIPE SEWERS 8"-24" DIA.
METROPOLITAN ST. LOUIS SEWER DISTRICT
 Standard Details of Sewer Construction
 Dr. WSH/SAM Ch. J.C.K. 2009 SHEET 10



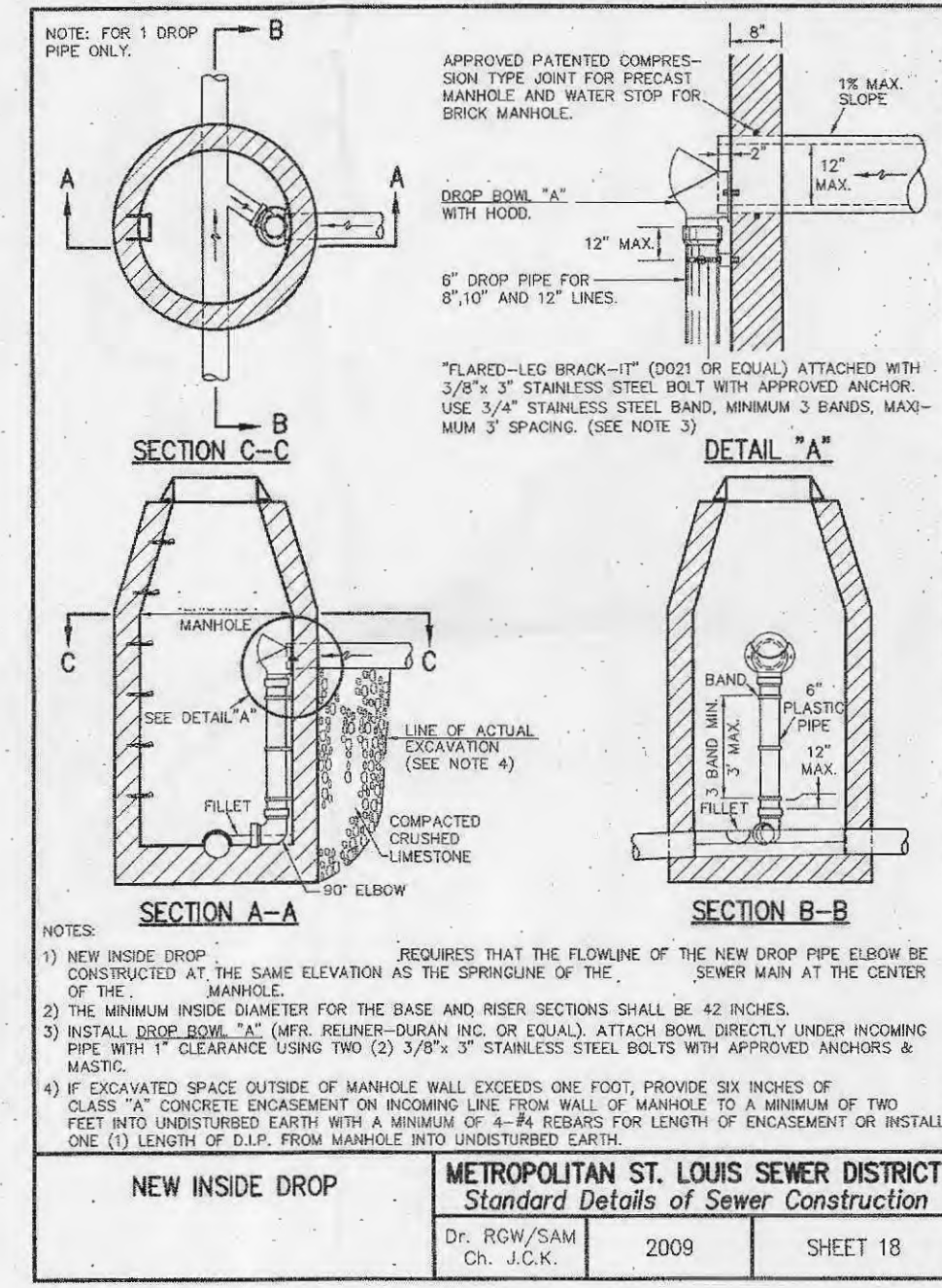
ADJUST TO GRADE
METROPOLITAN ST. LOUIS SEWER DISTRICT
 Standard Details of Sewer Construction
 Dr. S.A.M. Ch. F.W.S. 2009 SHEET 23



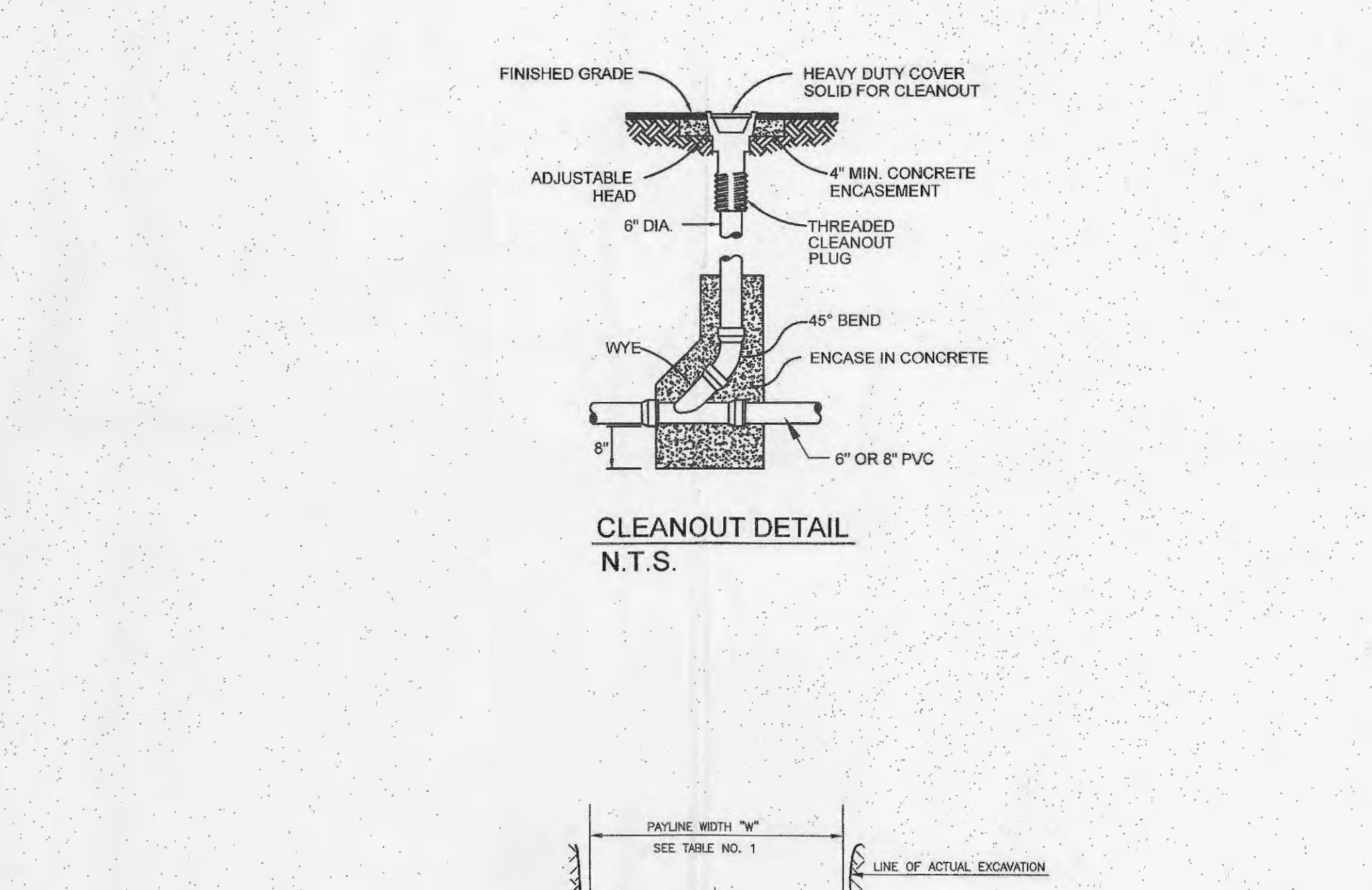
CAST IRON MANHOLE FRAME
METROPOLITAN ST. LOUIS SEWER DISTRICT
 Standard Details of Sewer Construction
 Dr. DAB/SAM Ch. J.C.K. 2009 SHEET 52



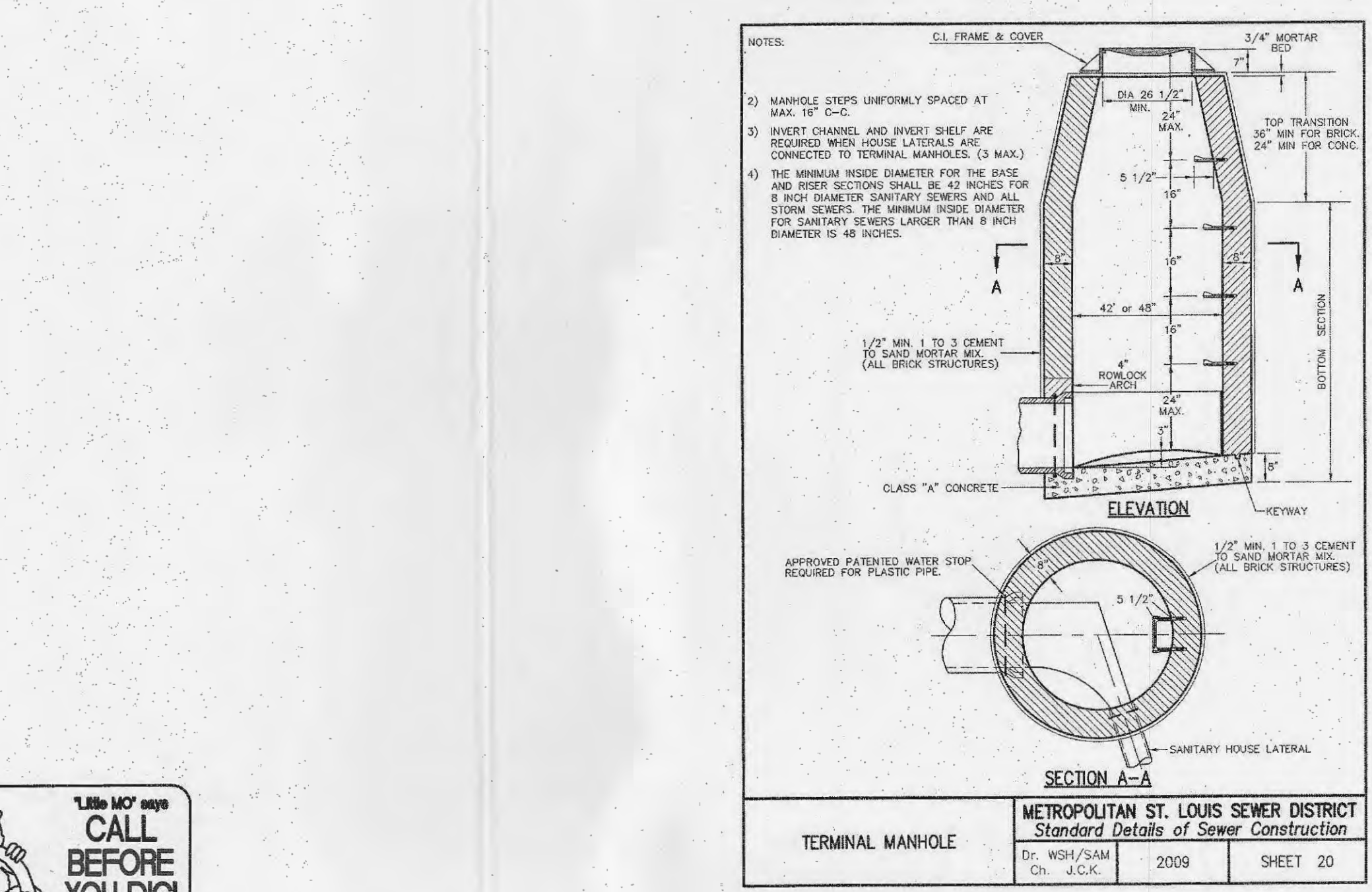
MANHOLE STEP FOR PRECAST & CAST-IN-PLACE MANHOLE
METROPOLITAN ST. LOUIS SEWER DISTRICT
 Standard Details of Sewer Construction
 Dr. D.A.B. Ch. J.C.K. 2009 SHEET 58



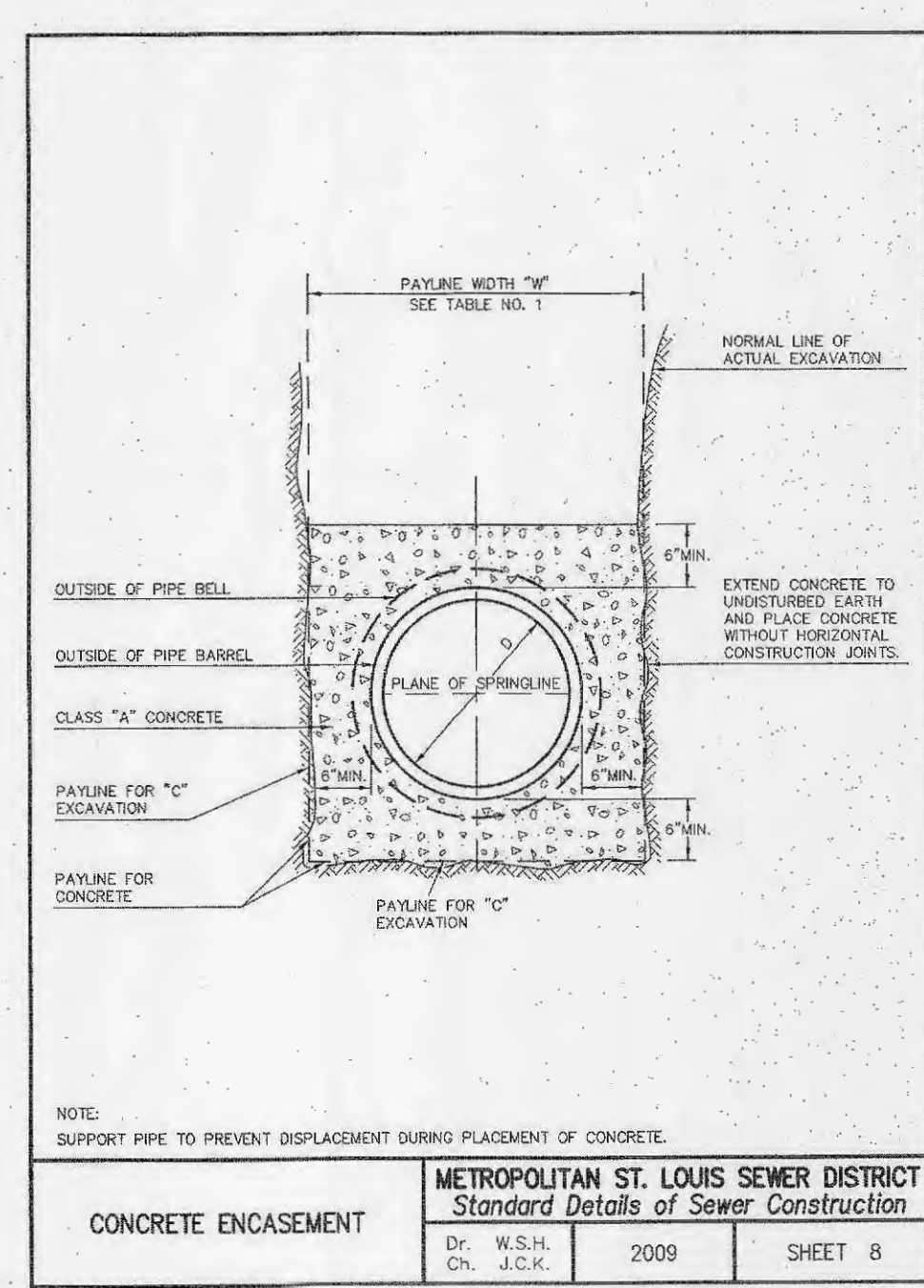
NEW INSIDE DROP
METROPOLITAN ST. LOUIS SEWER DISTRICT
 Standard Details of Sewer Construction
 Dr. ROW/SAM Ch. J.C.K. 2009 SHEET 18



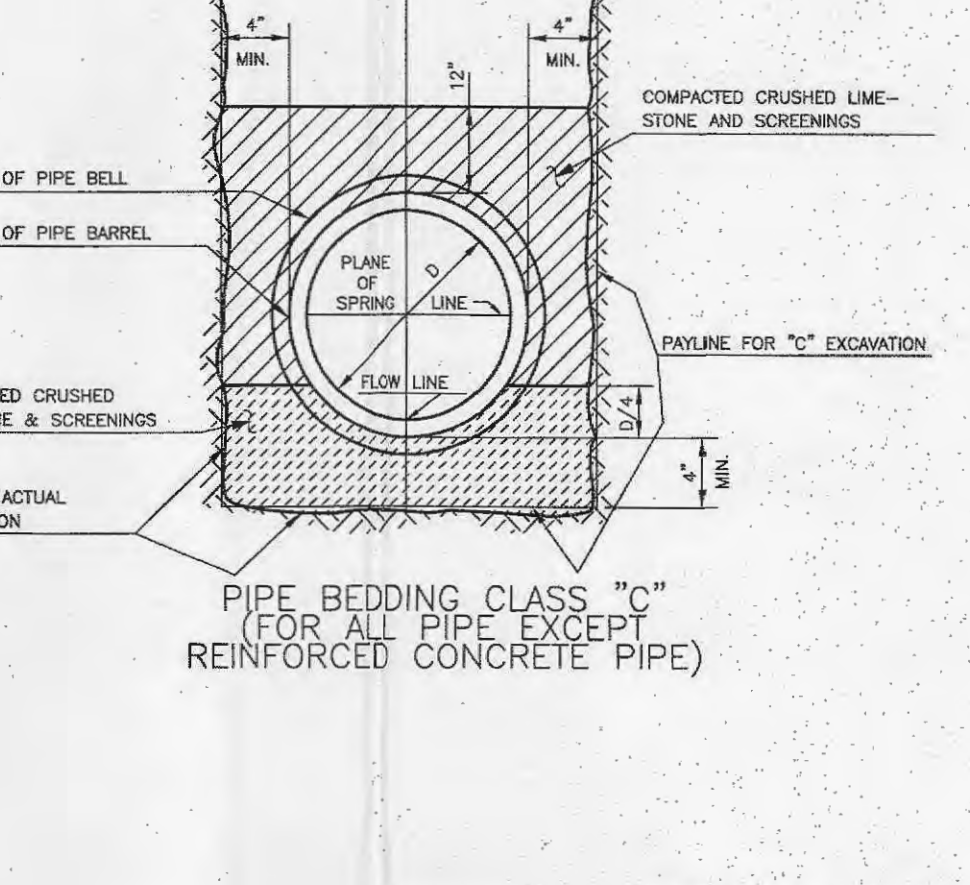
CLEANOUT DETAIL
 N.T.S.



TERMINAL MANHOLE
METROPOLITAN ST. LOUIS SEWER DISTRICT
 Standard Details of Sewer Construction
 Dr. WSH/SAM Ch. J.C.K. 2009 SHEET 20



CONCRETE ENCASEMENT
METROPOLITAN ST. LOUIS SEWER DISTRICT
 Standard Details of Sewer Construction
 Dr. W.S.H. Ch. J.C.K. 2009 SHEET 8



PIPE BEDDING CLASS "C" (FOR ALL PIPE EXCEPT REINFORCED CONCRETE PIPE)

PCE PROJECT NO. 141201

REVISIONS:			
NO.	DESCRIPTION	INITIALS:	DATE:
1	INSIDE DROP MANHOLE ADDED, OUTSIDE DROP REMOVED, CITY NO. ADDED	MWN	4-23-14

PROJECT TITLE
SANITARY SEWER EXTENSION PLANS

PREMIER CIVIL ENGINEERING
 308 TCW Court
 Lake Saint Louis, MO 63387
 Phone: (314) 925-7444 Fax: (314) 925-7457
 Missouri Certificate of Authority # E-2011000031
 Missouri Certificate of Authority # LS-2012007949

ENGINEERS AUTHENTICATION
 The responsibility for professional engineering liability on this project is hereby limited to the seal of the engineer who has signed and sealed this plan. No other engineering plans involved in this project and specifically exclude revisions after the date shown on this plan.

STEVE MARION P.E.
 ENGINEER
 PE200807958

Developer / Owner Information
GERALD F. AND RITA M. REVOCABLE TRUST
 C/O DON GLOSIER
 1095 EAGLE BEND DR.
 INNSBROOK, MO 63390
 (314) 378-8180

SANITARY SEWER DETAILS

P+Z No. N.A.
City No. 14-131
Sheet Number:
5
 PCE PROJECT NO. 141201

APR09/REVISED/SEC/CIVIL_3D_PROJECTS/141201/PLANS/DWG/141201_DES.dwg 3/30/2015 3:10 PM

NOTE
 Underground utilities and structures have been plotted from available information and therefore, their location must be considered approximate only. It is the responsibility of the individual contractors to notify the utility companies before actual construction.

