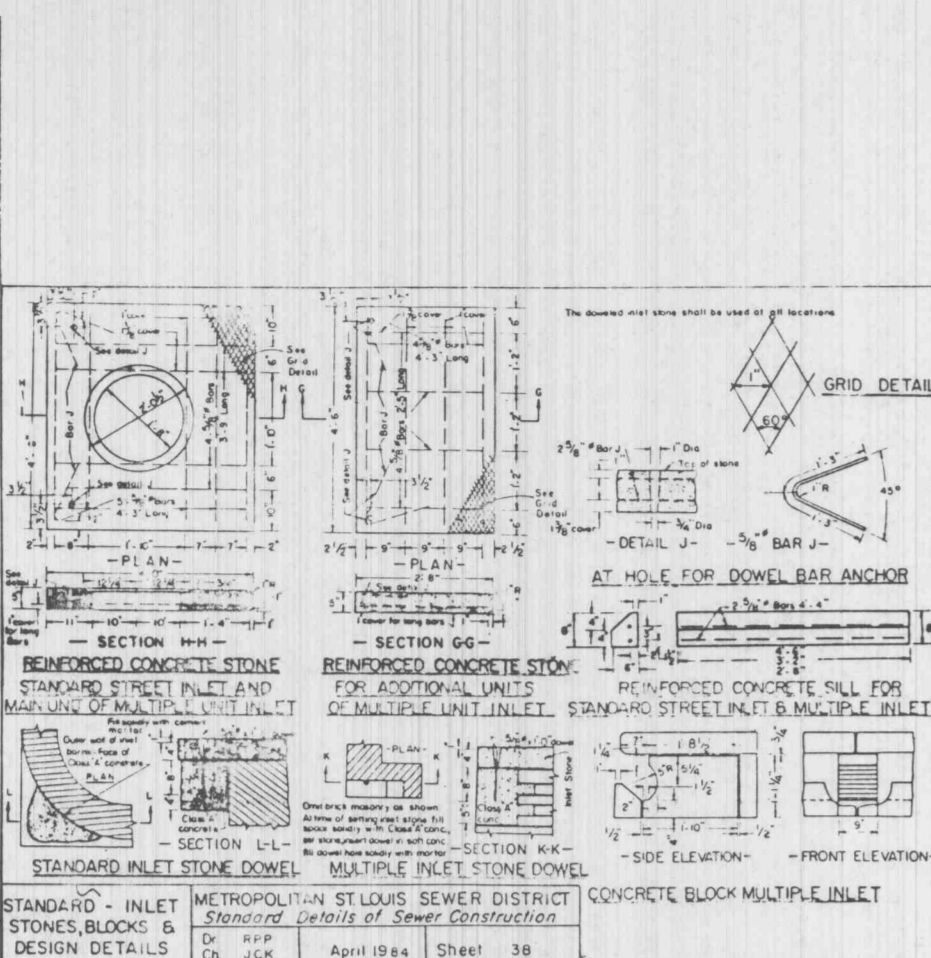
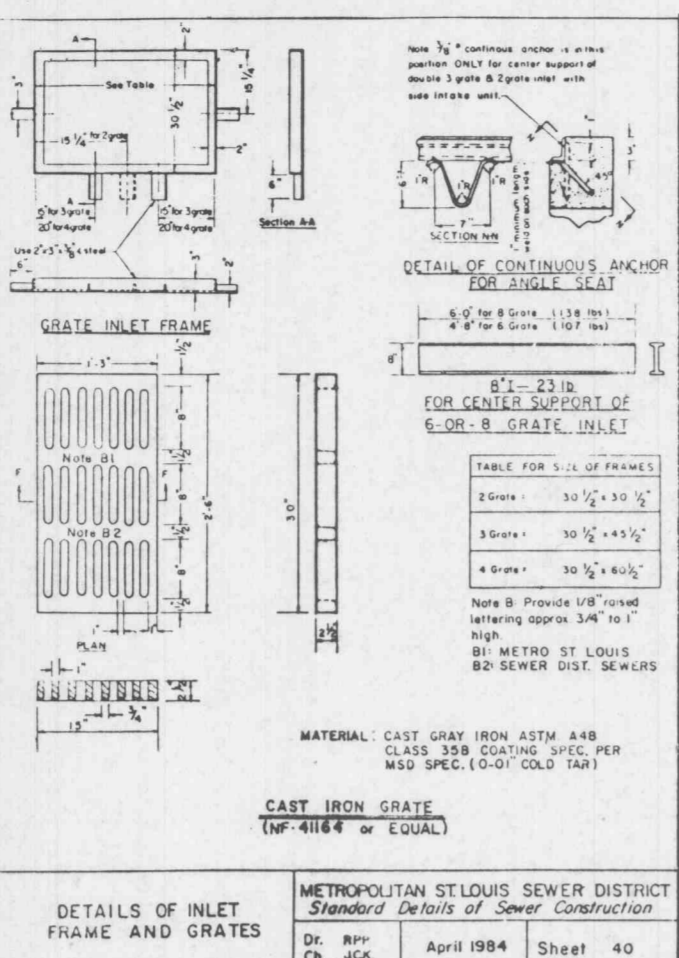


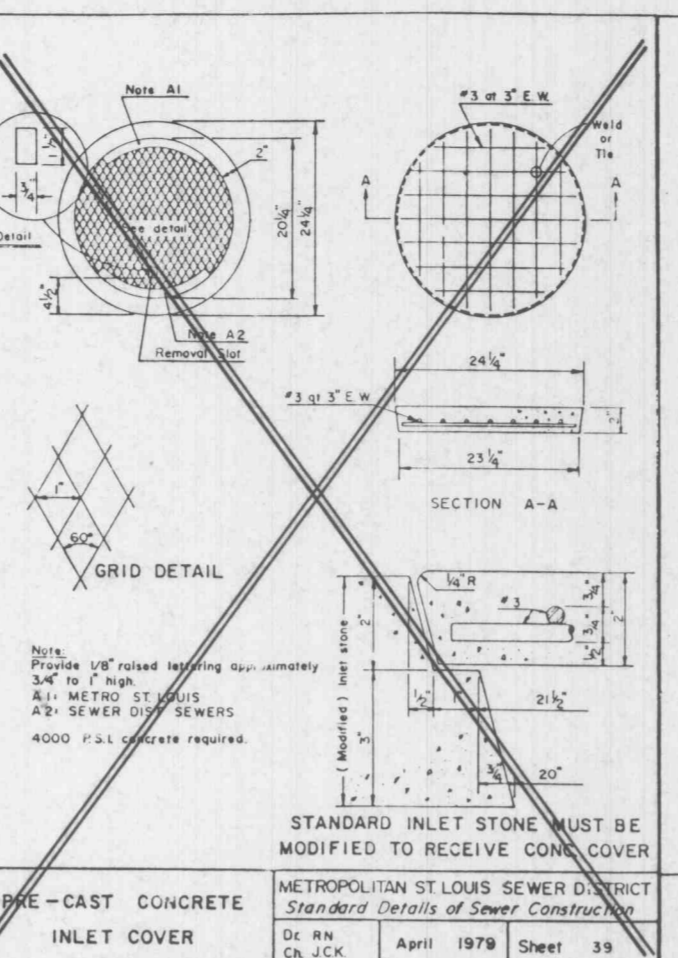
668 GRATE INLET
METROPOLITAN ST. LOUIS SEWER DISTRICT
Standard Details of Sewer Construction
Dr. R.P. Ch. J.C.K. June 1984 Sheet 37



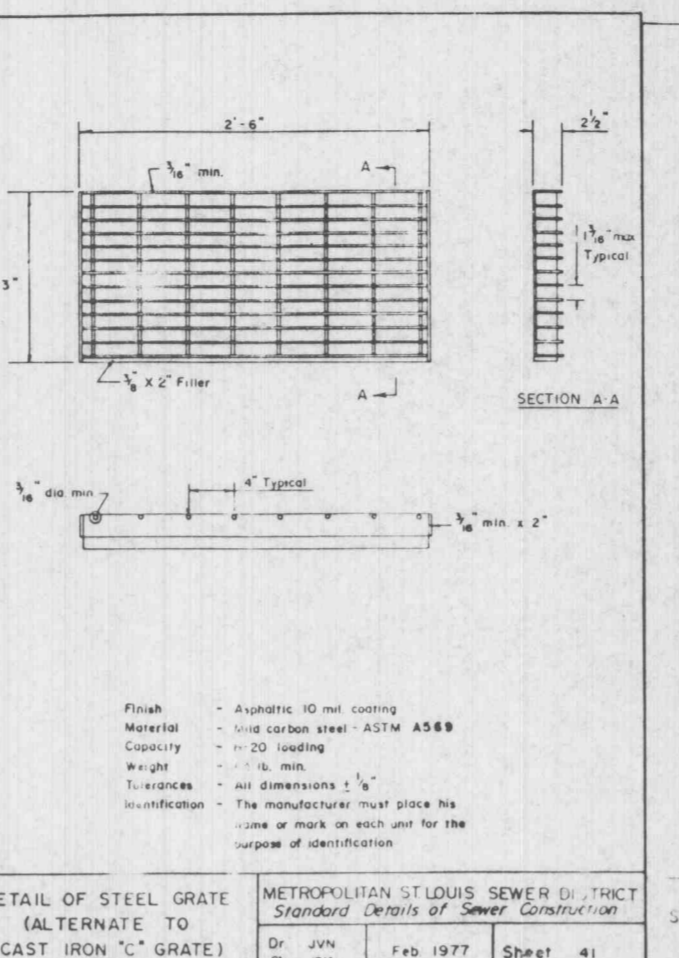
STANDARD INLET STONE
METROPOLITAN ST. LOUIS SEWER DISTRICT
Standard Details of Sewer Construction
Dr. R.P. Ch. J.C.K. April 1984 Sheet 38



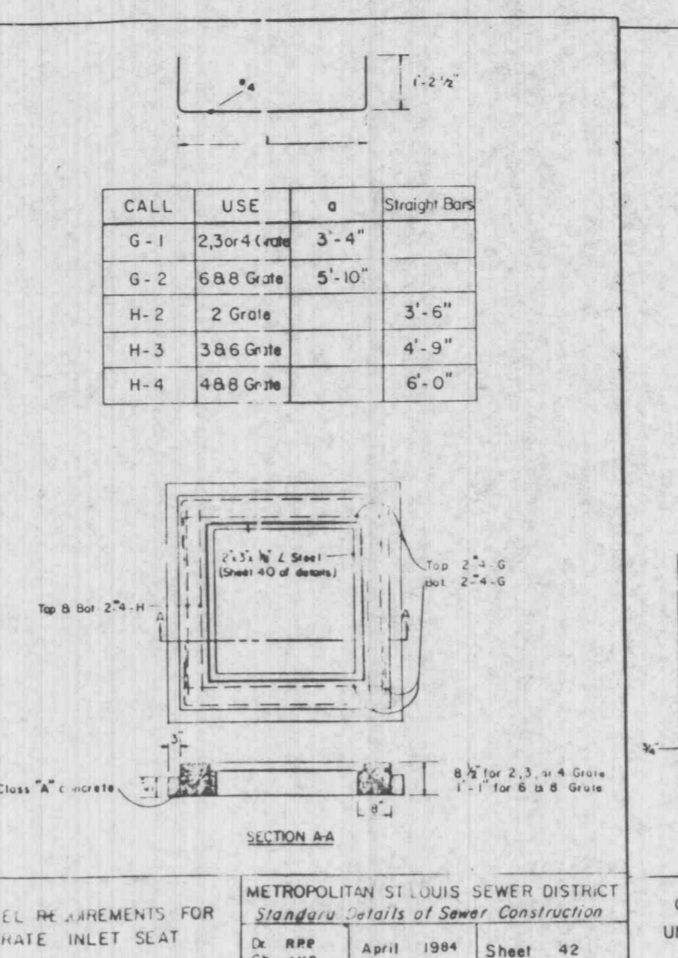
DETAILS OF INLET FRAME AND GRATES
METROPOLITAN ST. LOUIS SEWER DISTRICT
Standard Details of Sewer Construction
Dr. R.P. Ch. J.C.K. April 1984 Sheet 40



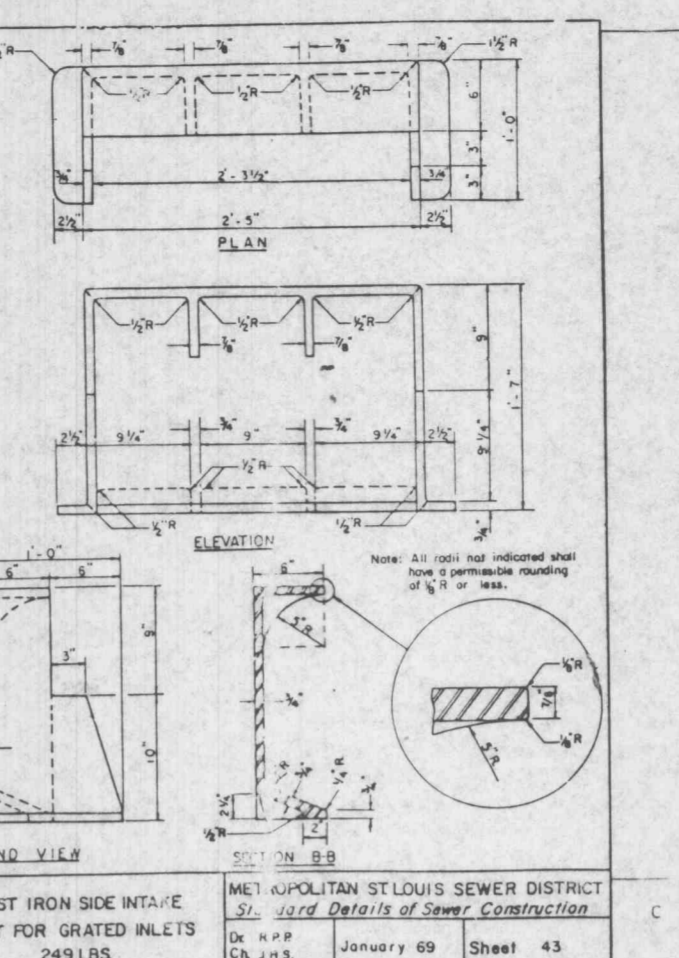
PIPE - CAST CONCRETE INLET COVER
METROPOLITAN ST. LOUIS SEWER DISTRICT
Standard Details of Sewer Construction
Dr. R.P. Ch. J.C.K. April 1979 Sheet 39



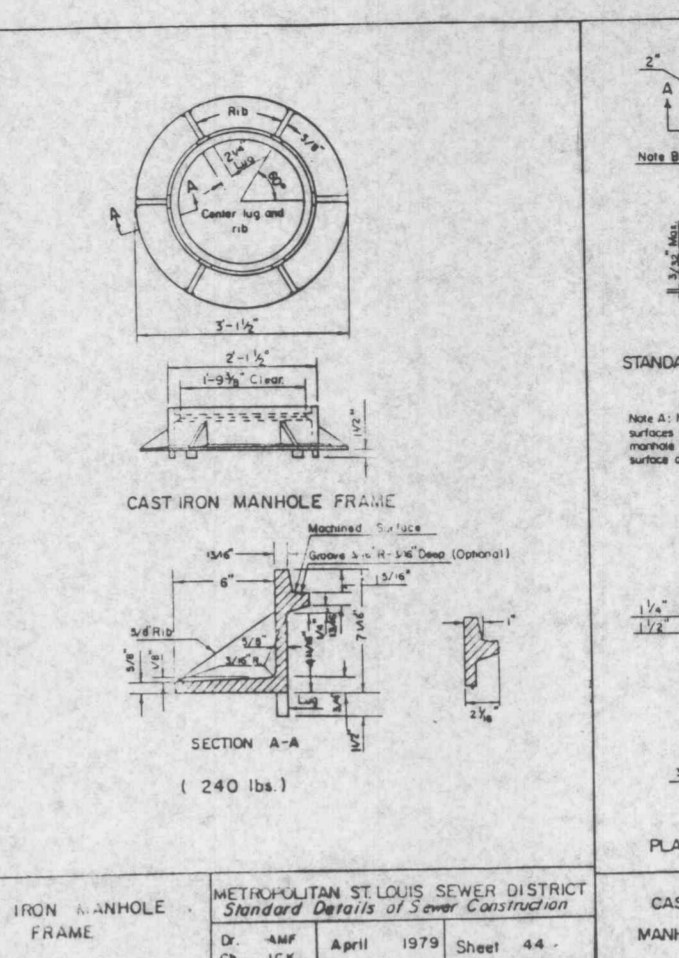
DETAIL OF STEEL GRATE (ALTERNATE TO CAST IRON 'C' GRATE)
METROPOLITAN ST. LOUIS SEWER DISTRICT
Standard Details of Sewer Construction
Dr. J.W. Ch. J.C.K. Feb. 1977 Sheet 41



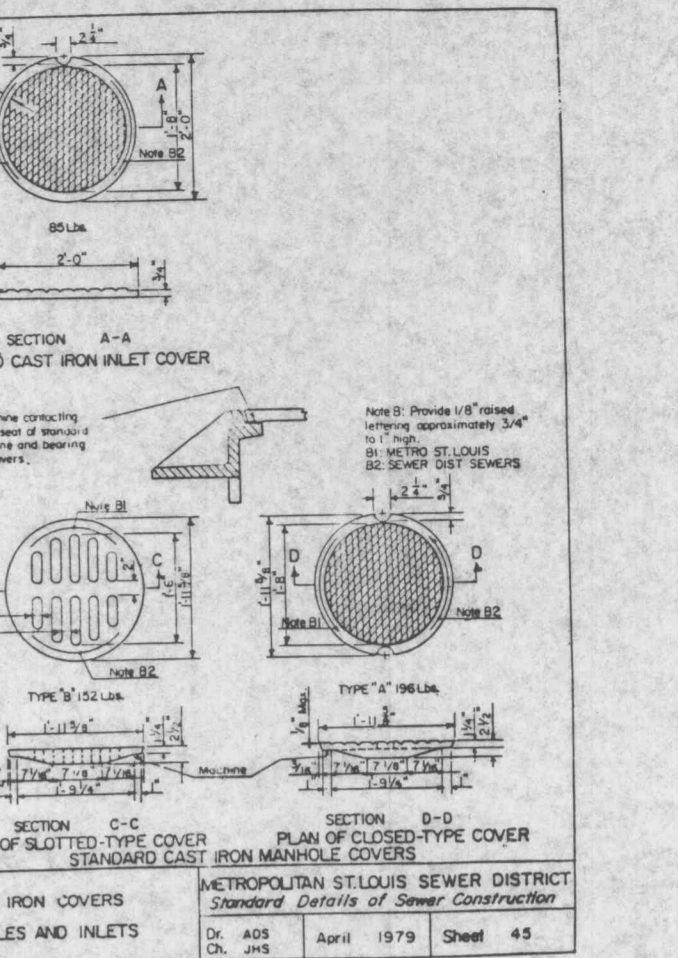
STEEL REINFORCEMENTS FOR GRATE INLET SEAT
METROPOLITAN ST. LOUIS SEWER DISTRICT
Standard Details of Sewer Construction
Dr. R.P. Ch. J.C.K. April 1984 Sheet 42



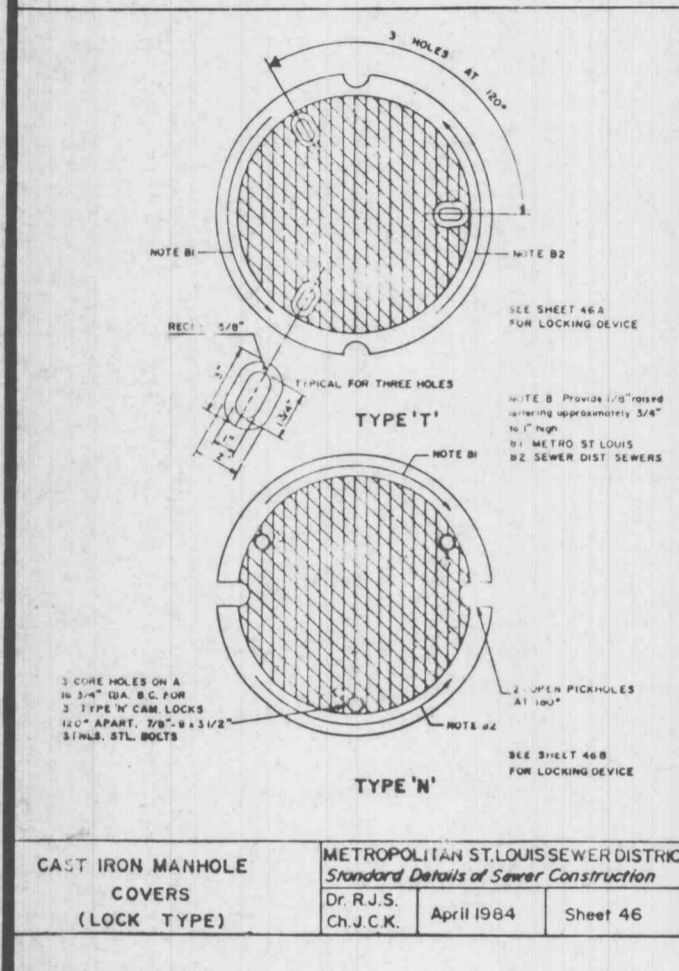
CAST IRON SIDE INLET UNIT FOR GRATED INLETS
METROPOLITAN ST. LOUIS SEWER DISTRICT
Standard Details of Sewer Construction
Dr. R.P. Ch. J.C.K. January 69 Sheet 43



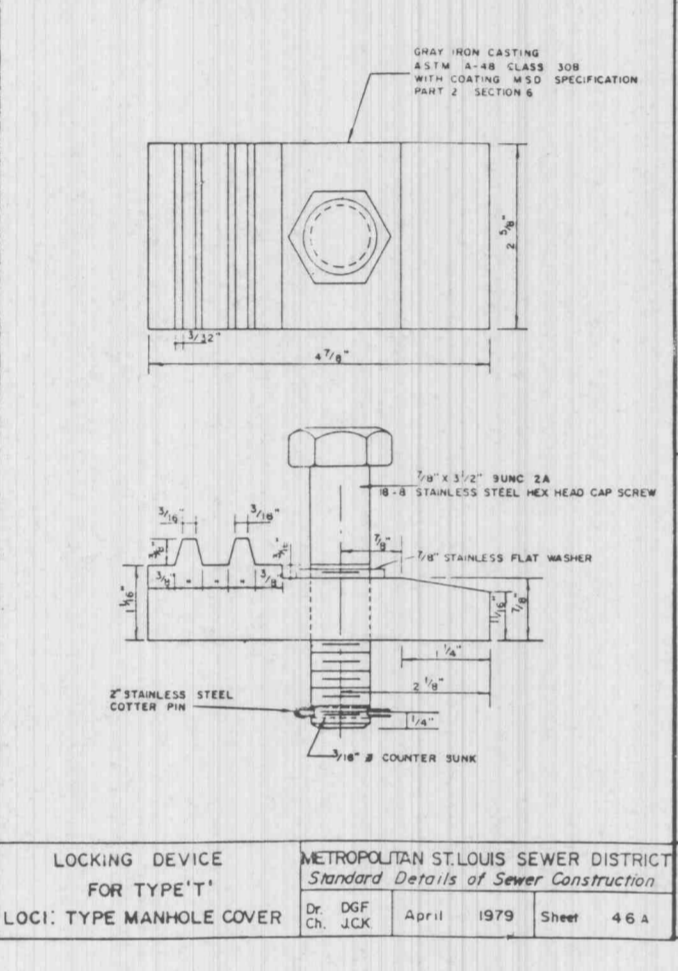
CAST IRON MANHOLE FRAME
METROPOLITAN ST. LOUIS SEWER DISTRICT
Standard Details of Sewer Construction
Dr. R.P. Ch. J.C.K. April 1979 Sheet 44



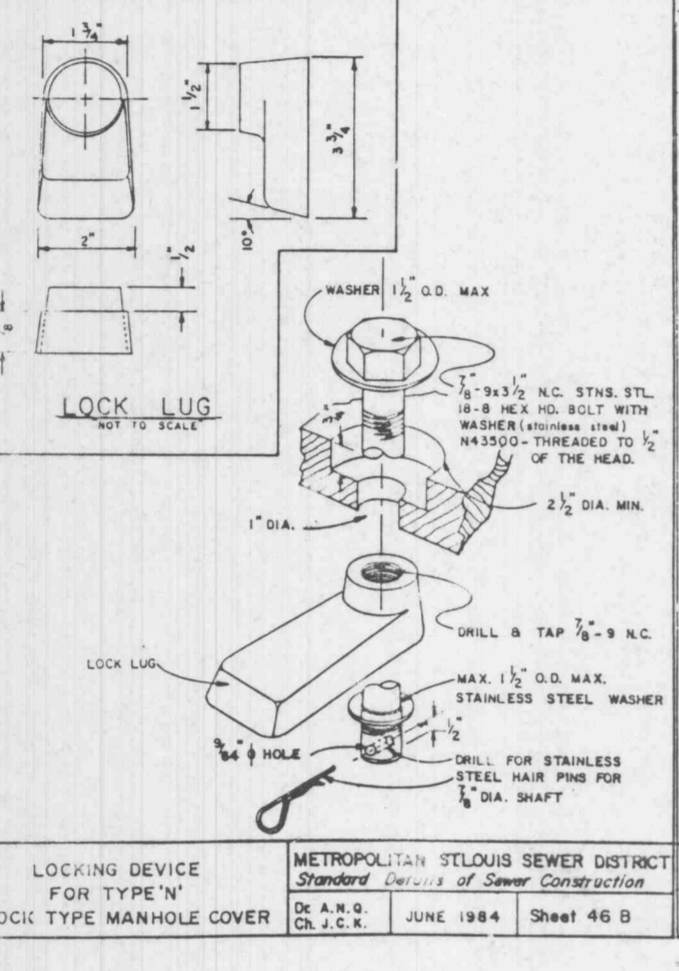
STANDARD CAST IRON INLET COVER
METROPOLITAN ST. LOUIS SEWER DISTRICT
Standard Details of Sewer Construction
Dr. R.P. Ch. J.C.K. April 1979 Sheet 45



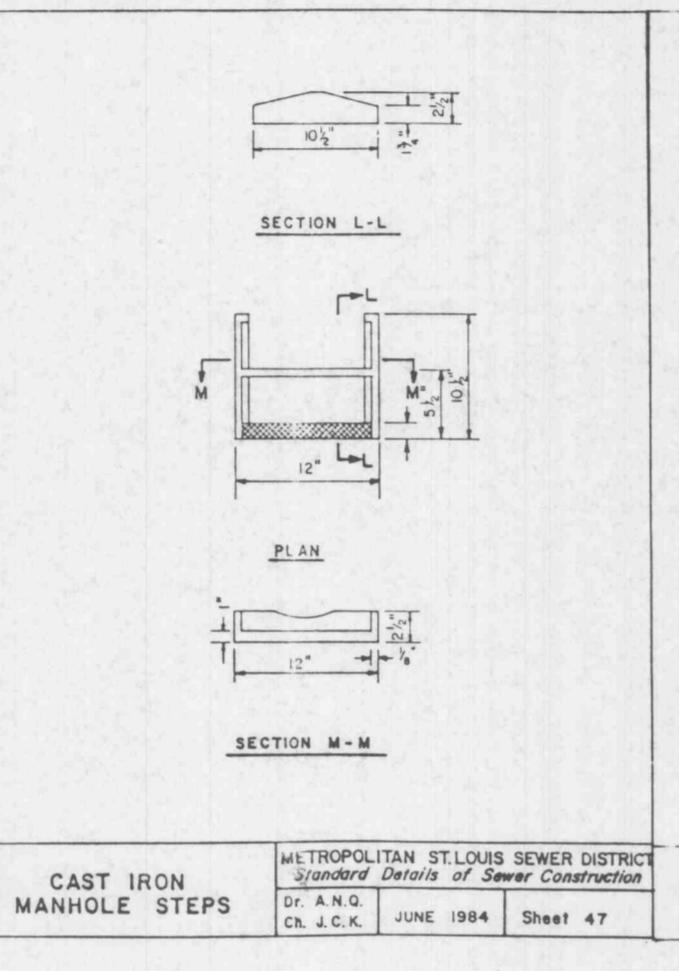
CAST IRON MANHOLE COVERS (LOCK TYPE)
METROPOLITAN ST. LOUIS SEWER DISTRICT
Standard Details of Sewer Construction
Dr. R.P. Ch. J.C.K. April 1984 Sheet 46



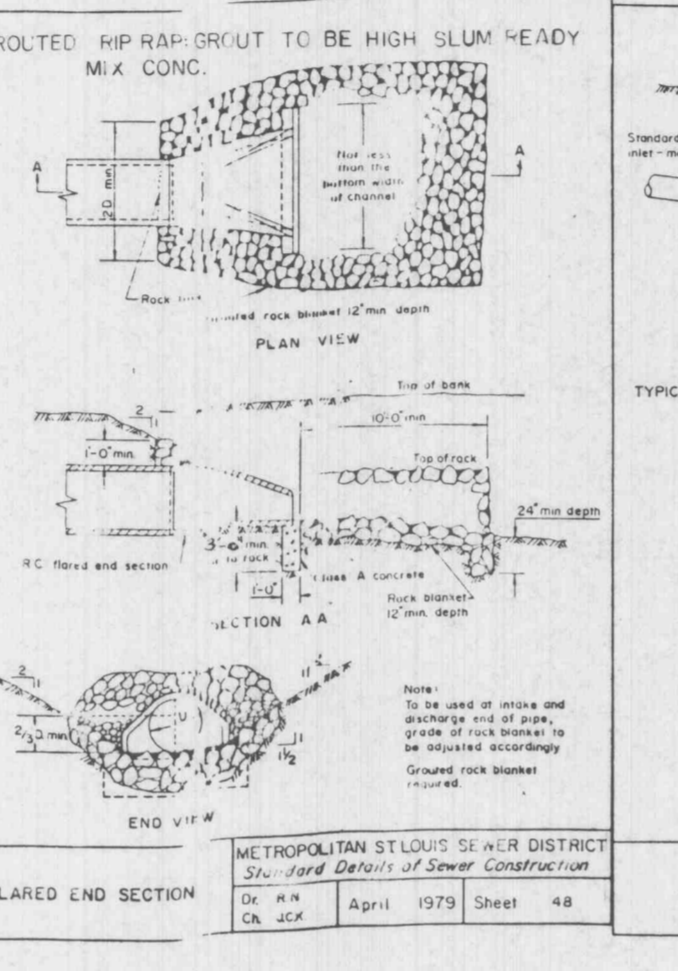
LOCKING DEVICE FOR TYPE 'Y' LOCK TYPE MANHOLE COVER
METROPOLITAN ST. LOUIS SEWER DISTRICT
Standard Details of Sewer Construction
Dr. R.P. Ch. J.C.K. April 1979 Sheet 46 B



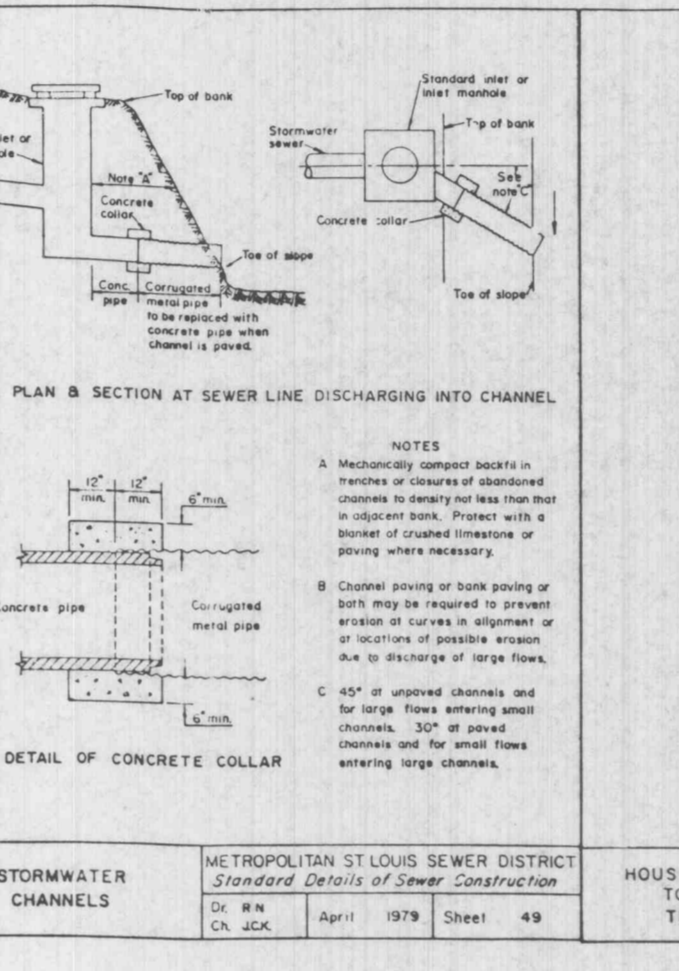
LOCKING DEVICE FOR TYPE 'N' LOCK TYPE MANHOLE COVER
METROPOLITAN ST. LOUIS SEWER DISTRICT
Standard Details of Sewer Construction
Dr. R.P. Ch. J.C.K. June 1984 Sheet 46 B



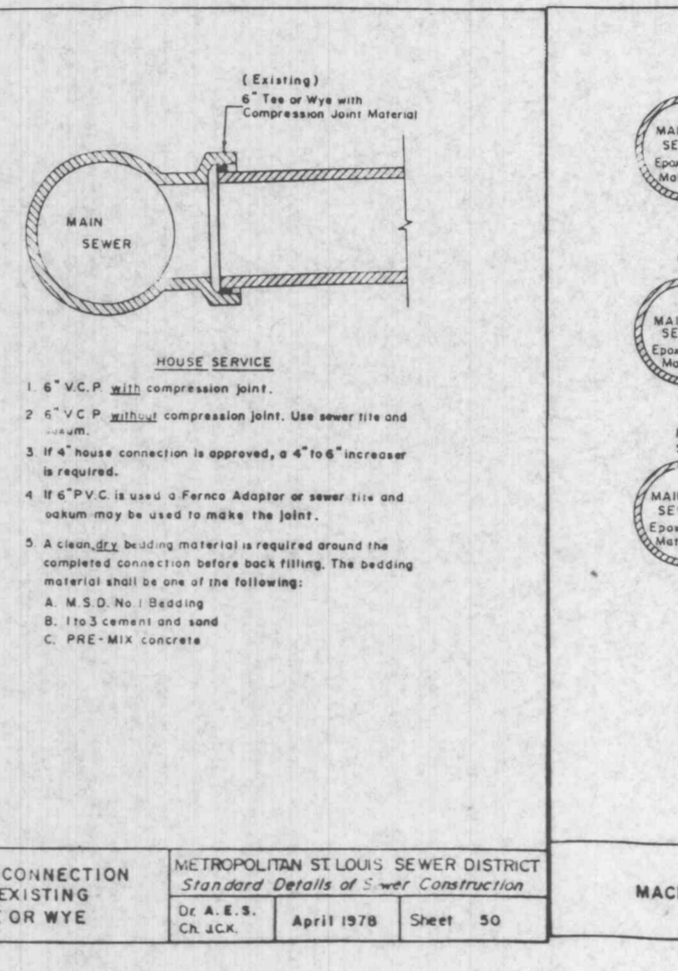
CAST IRON MANHOLE STEPS
METROPOLITAN ST. LOUIS SEWER DISTRICT
Standard Details of Sewer Construction
Dr. A.N. Ch. J.C.K. June 1984 Sheet 47



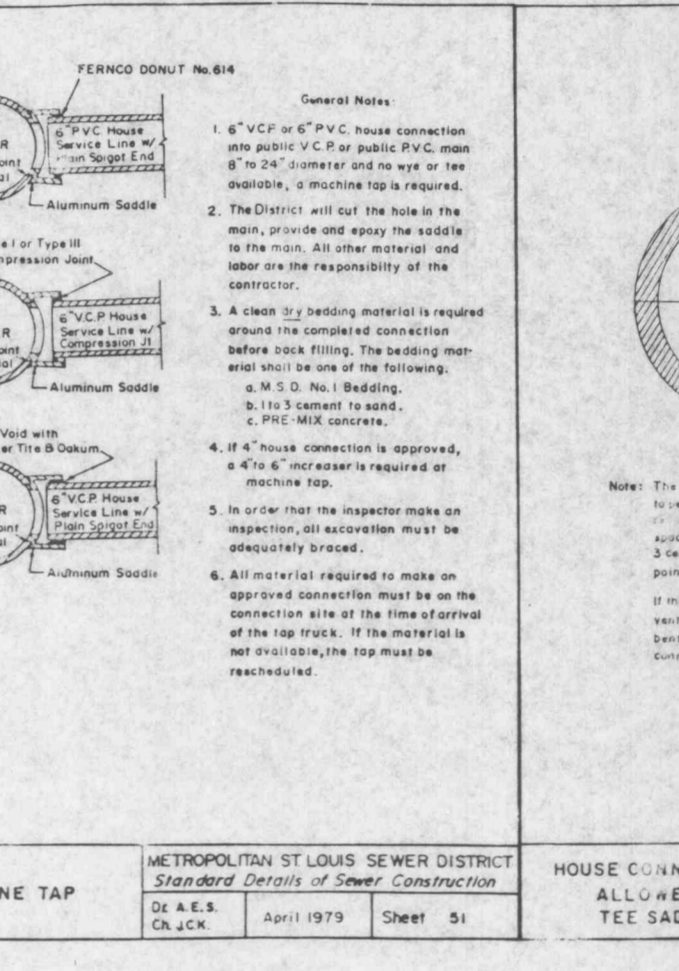
FLARED END SECTION
METROPOLITAN ST. LOUIS SEWER DISTRICT
Standard Details of Sewer Construction
Dr. R.P. Ch. J.C.K. April 1979 Sheet 48



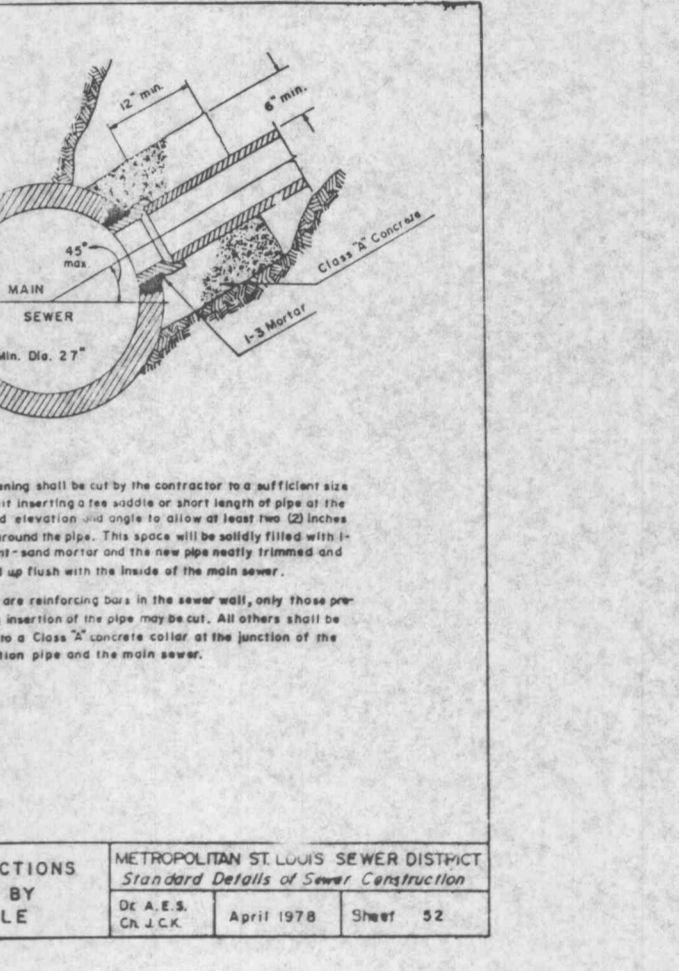
STORMWATER CHANNELS
METROPOLITAN ST. LOUIS SEWER DISTRICT
Standard Details of Sewer Construction
Dr. R.P. Ch. J.C.K. April 1979 Sheet 49



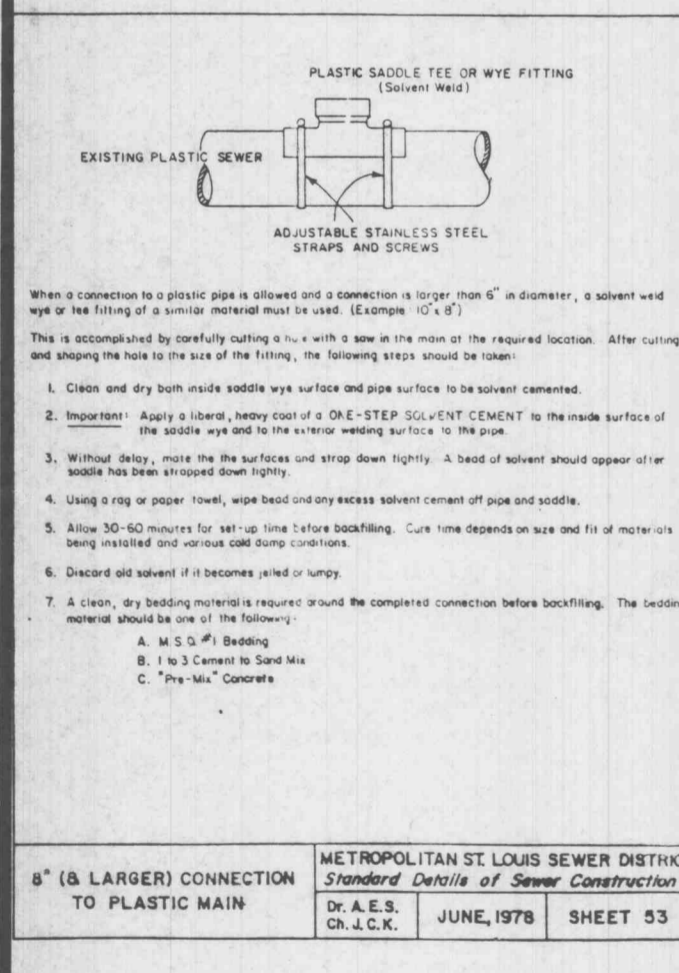
HOUSE CONNECTION TO EXISTING TEE OR WYE
METROPOLITAN ST. LOUIS SEWER DISTRICT
Standard Details of Sewer Construction
Dr. A.E. Ch. J.C.K. April 1979 Sheet 50



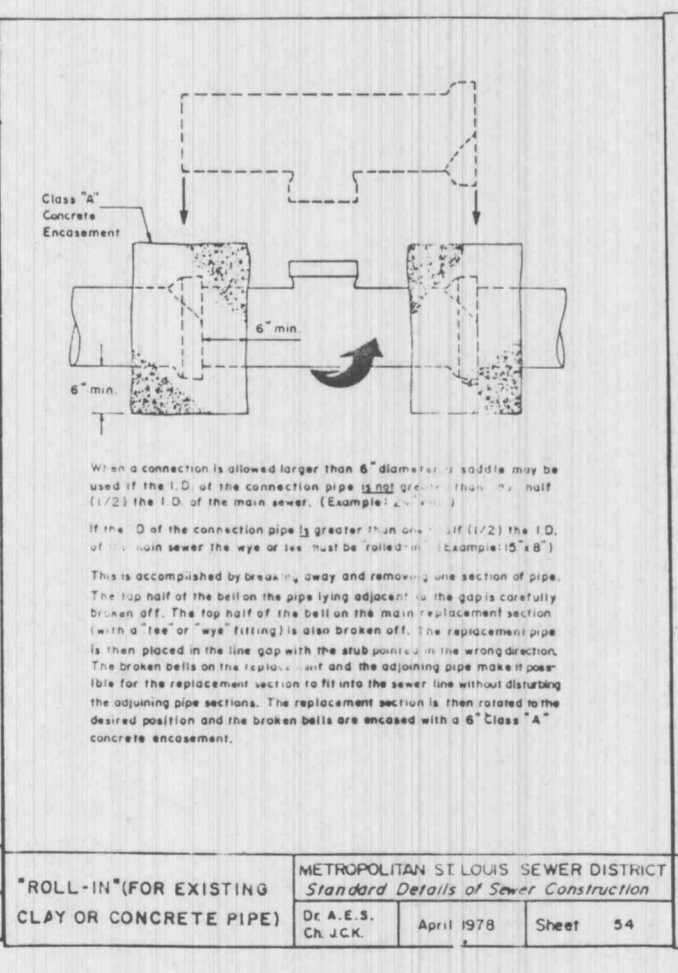
MACHINE TAP
METROPOLITAN ST. LOUIS SEWER DISTRICT
Standard Details of Sewer Construction
Dr. A.E. Ch. J.C.K. April 1979 Sheet 54



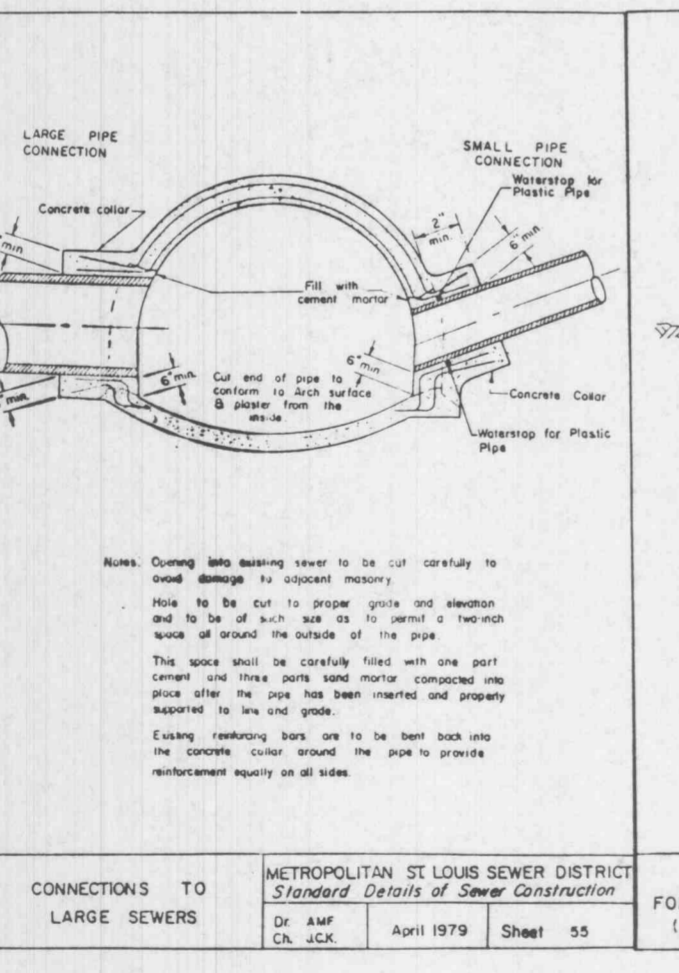
HOUSE CONNECTIONS ALLOWED BY TEE SADDLE
METROPOLITAN ST. LOUIS SEWER DISTRICT
Standard Details of Sewer Construction
Dr. A.E. Ch. J.C.K. April 1978 Sheet 52



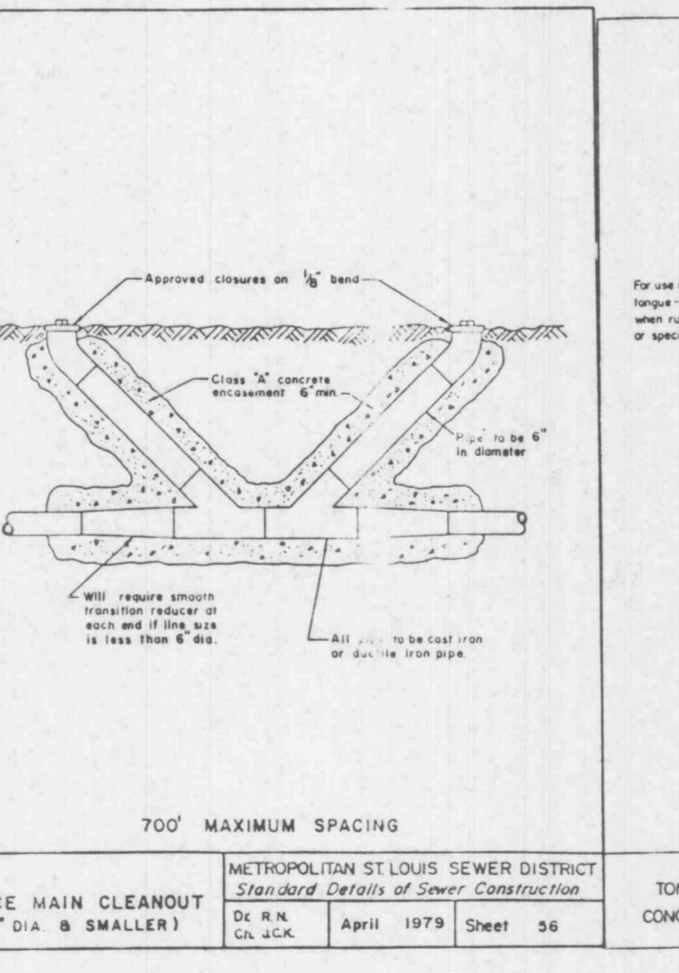
(8) LARGER CONNECTION TO PLASTIC MAIN
METROPOLITAN ST. LOUIS SEWER DISTRICT
Standard Details of Sewer Construction
Dr. A.E. Ch. J.C.K. June 1978 Sheet 53



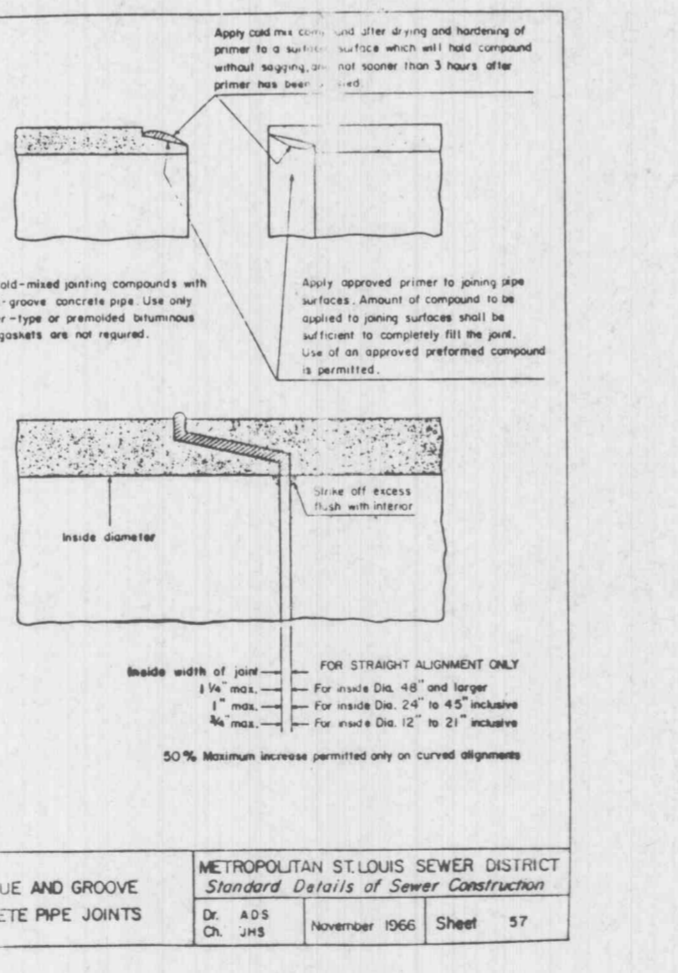
'ROLL-IN' (FOR EXISTING CLAY OR CONCRETE PIPE)
METROPOLITAN ST. LOUIS SEWER DISTRICT
Standard Details of Sewer Construction
Dr. A.E. Ch. J.C.K. April 1979 Sheet 54



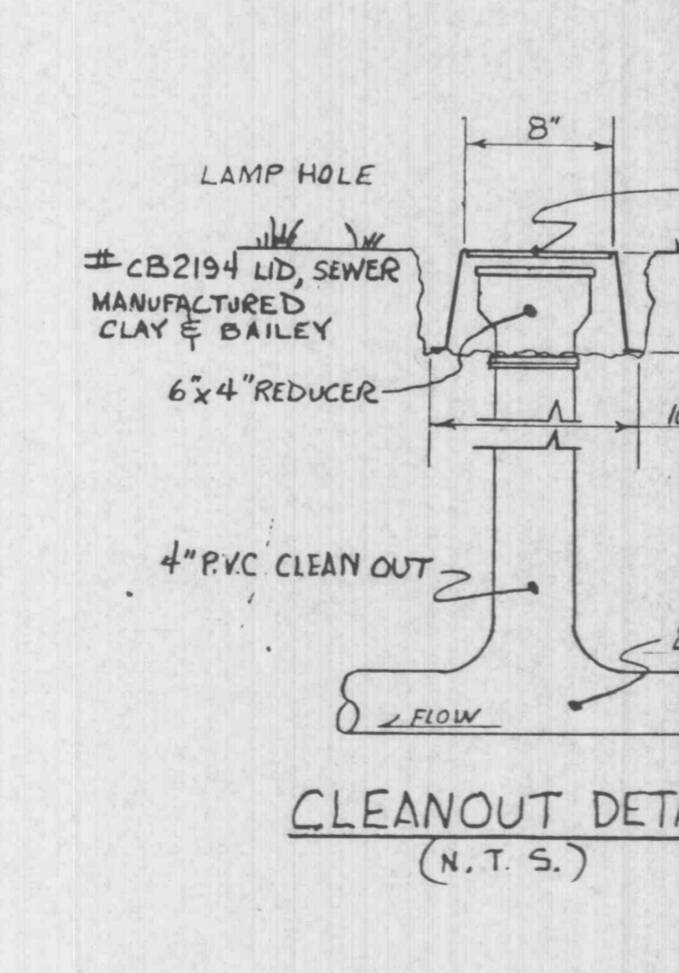
CONNECTIONS TO LARGE SEWERS
METROPOLITAN ST. LOUIS SEWER DISTRICT
Standard Details of Sewer Construction
Dr. R.P. Ch. J.C.K. April 1979 Sheet 55



FORCE MAIN CLEANOUT (1/4\"/>



TONDUE AND GROOVE CONCRETE PIPE JOINTS
METROPOLITAN ST. LOUIS SEWER DISTRICT
Standard Details of Sewer Construction
Dr. A.S. Ch. J.C.K. November 1966 Sheet 57



CLEANOUT DETAIL (N.T.S.)

050792

