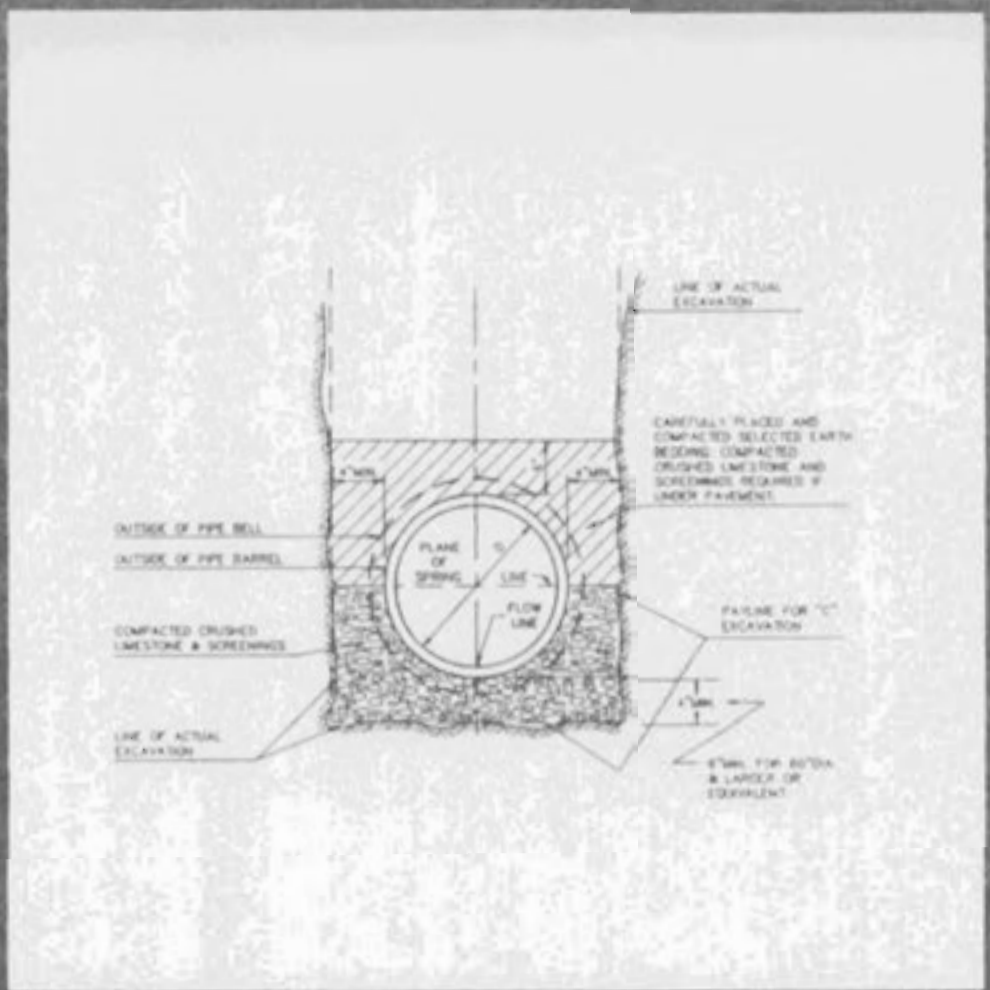
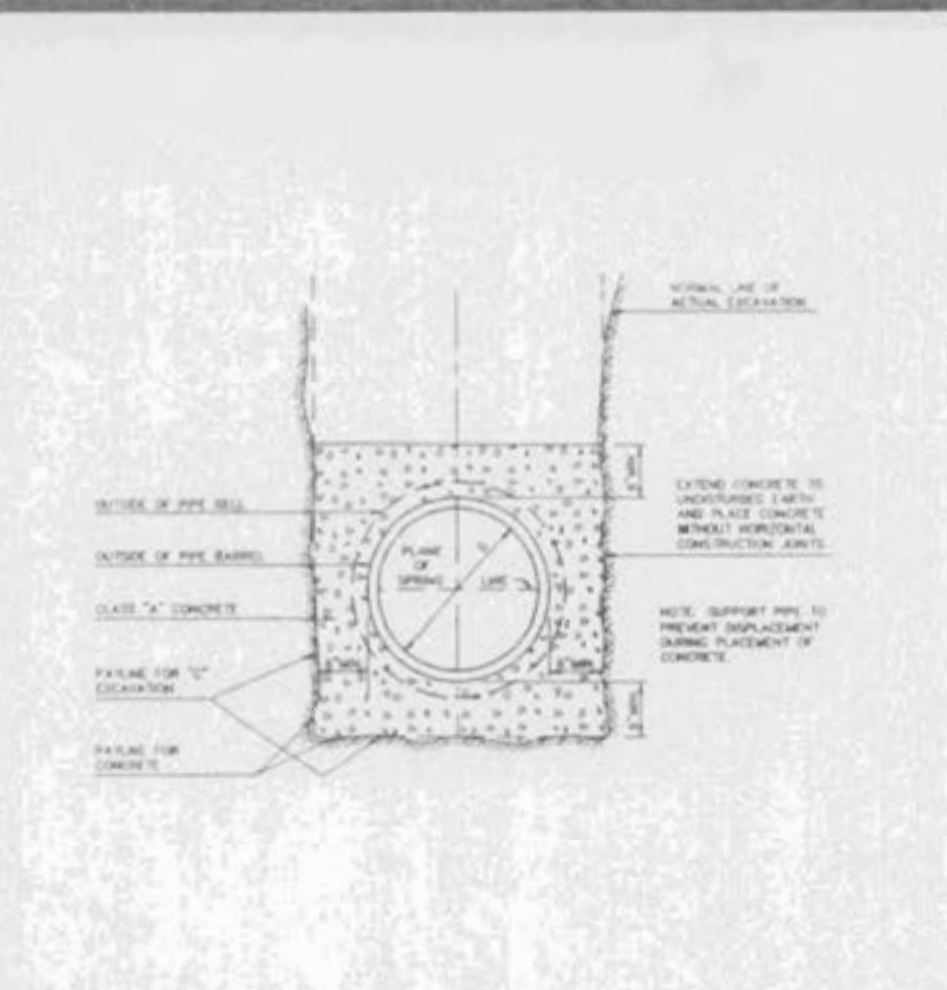


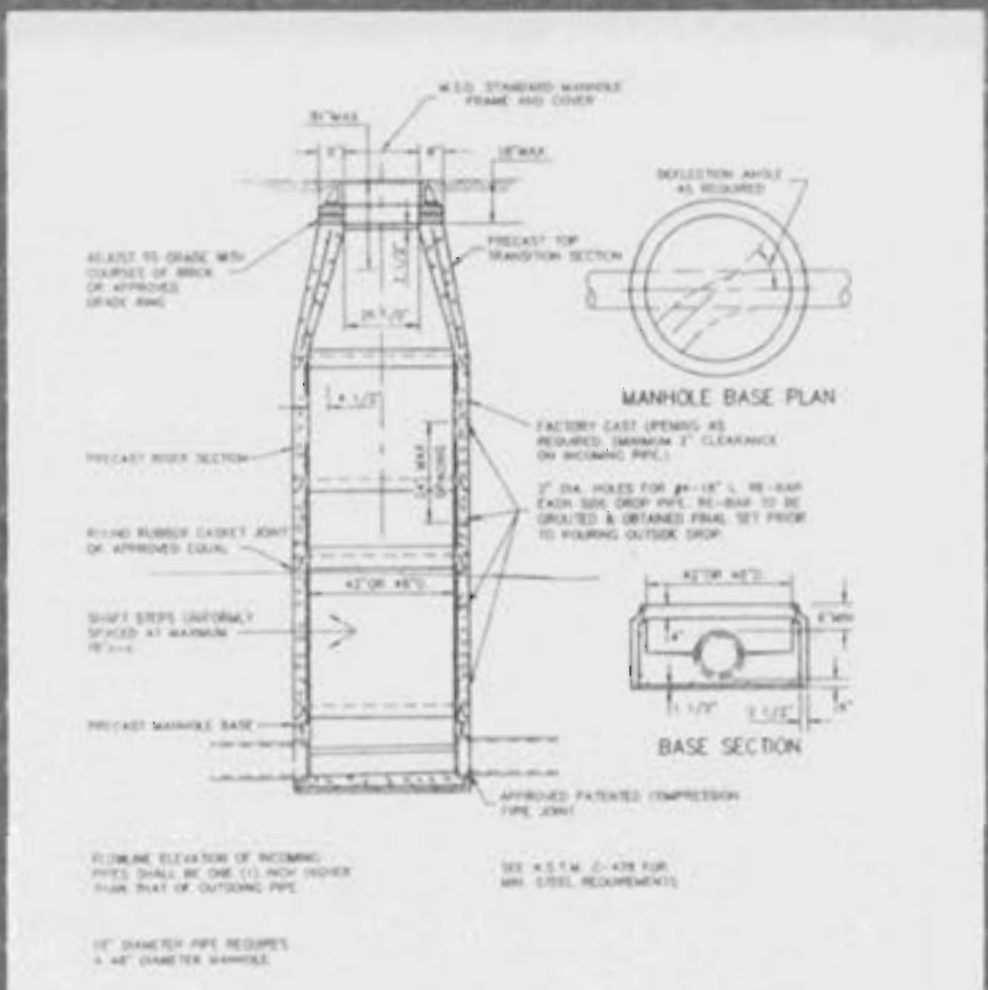
PIPE BEDDING CLASS C
FOR ALL PIPE EXCEPT REINFORCED CONCRETE PIPE



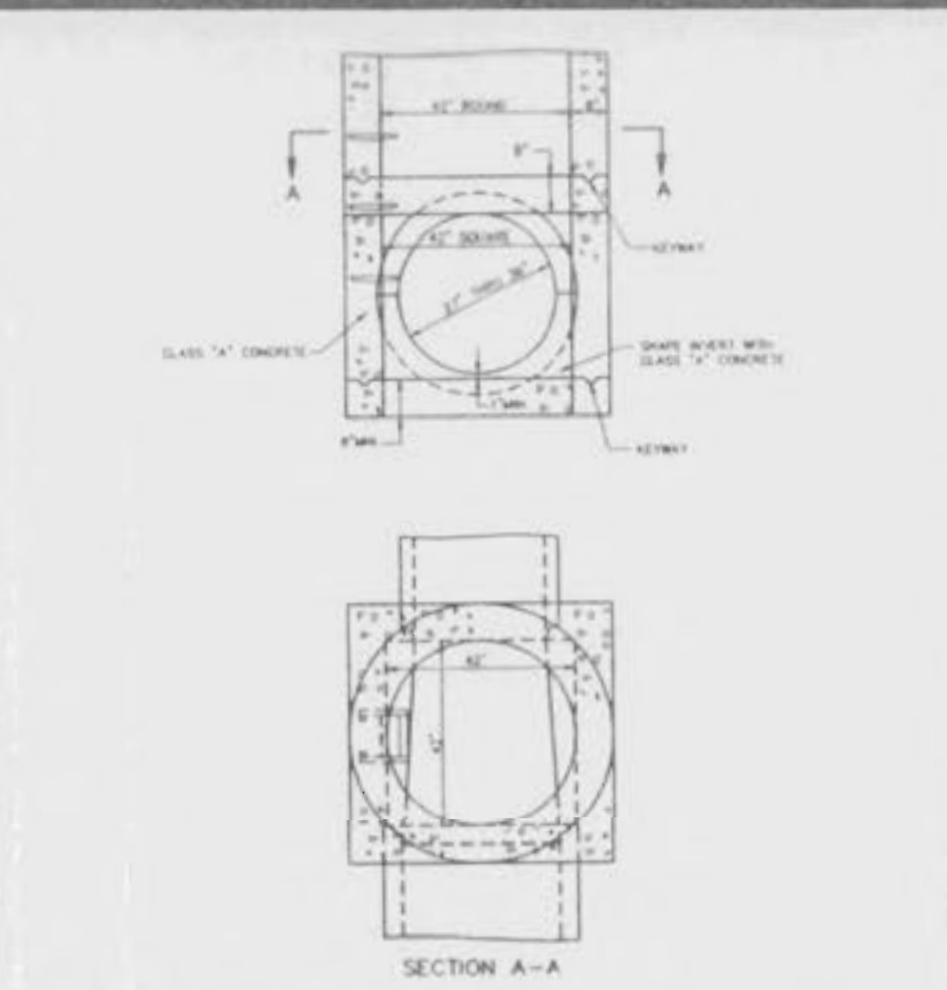
PIPE BEDDING CLASS C
MODIFIED FOR REINFORCED CONCRETE PIPE



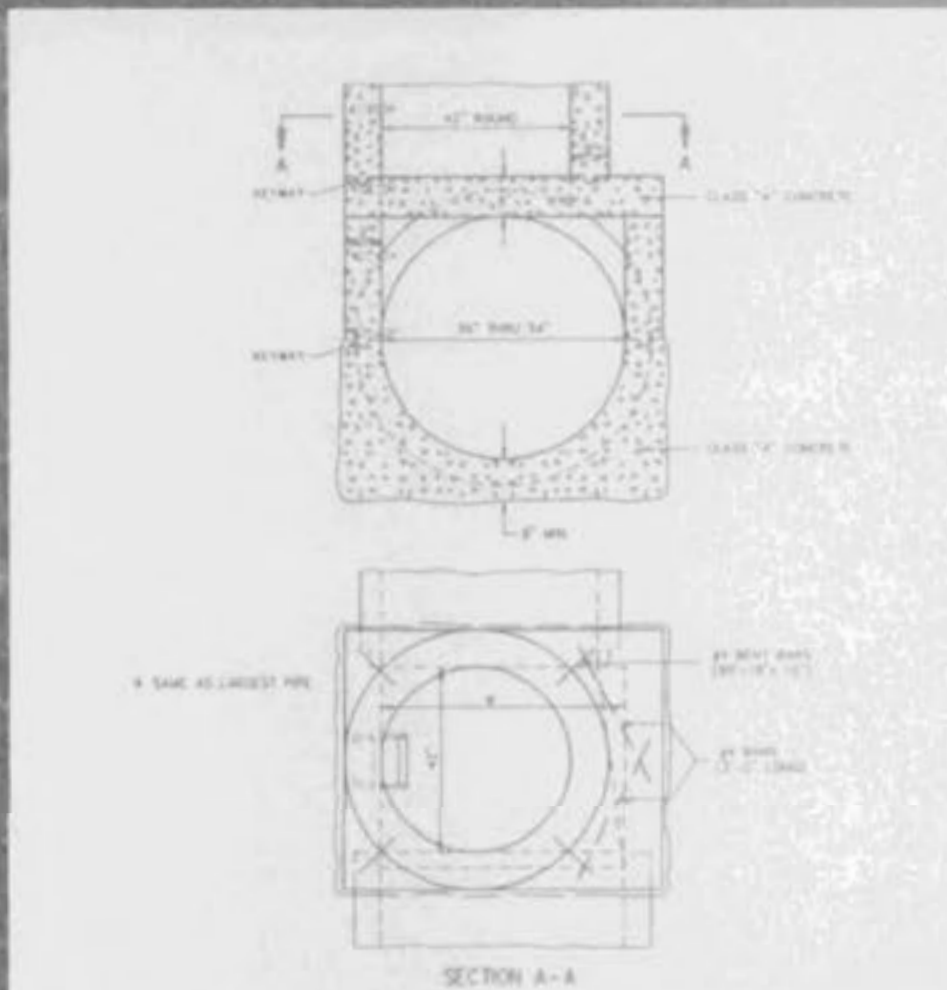
CONCRETE ENCASUREMENT



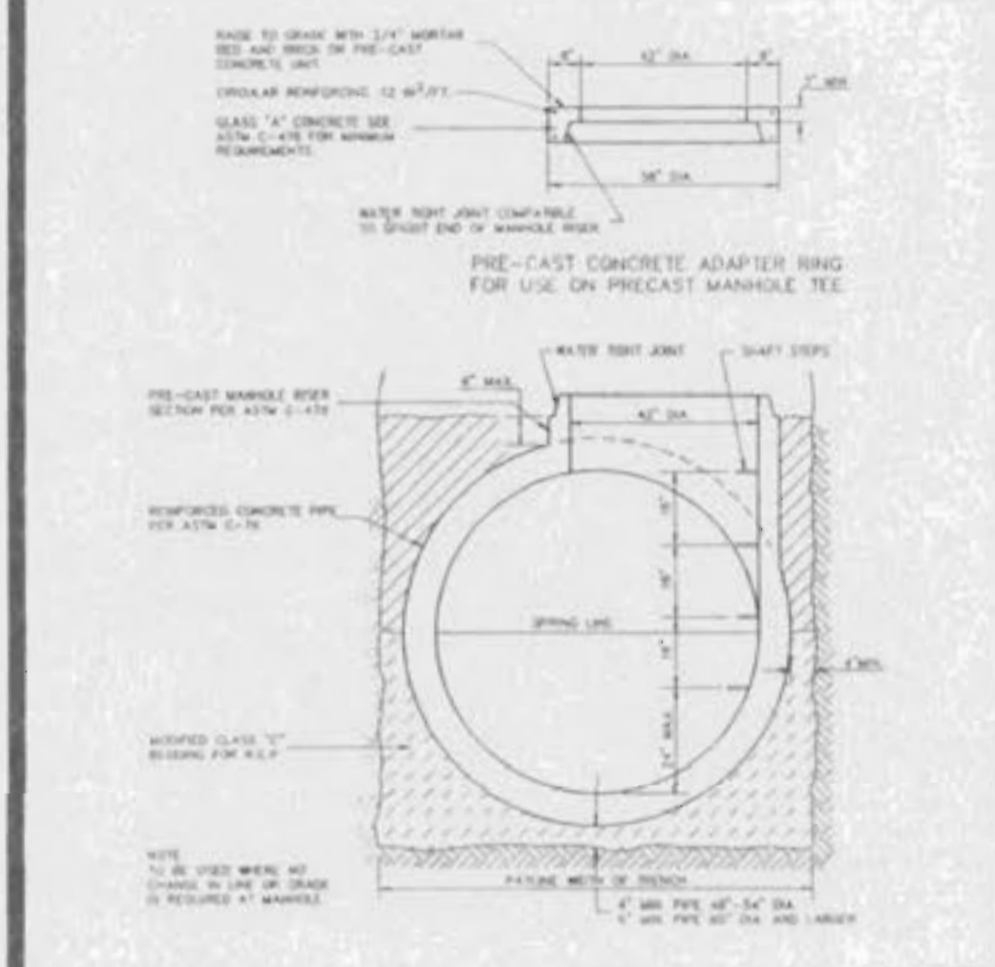
PRECAST MANHOLE (18-24 DIA PIPES)



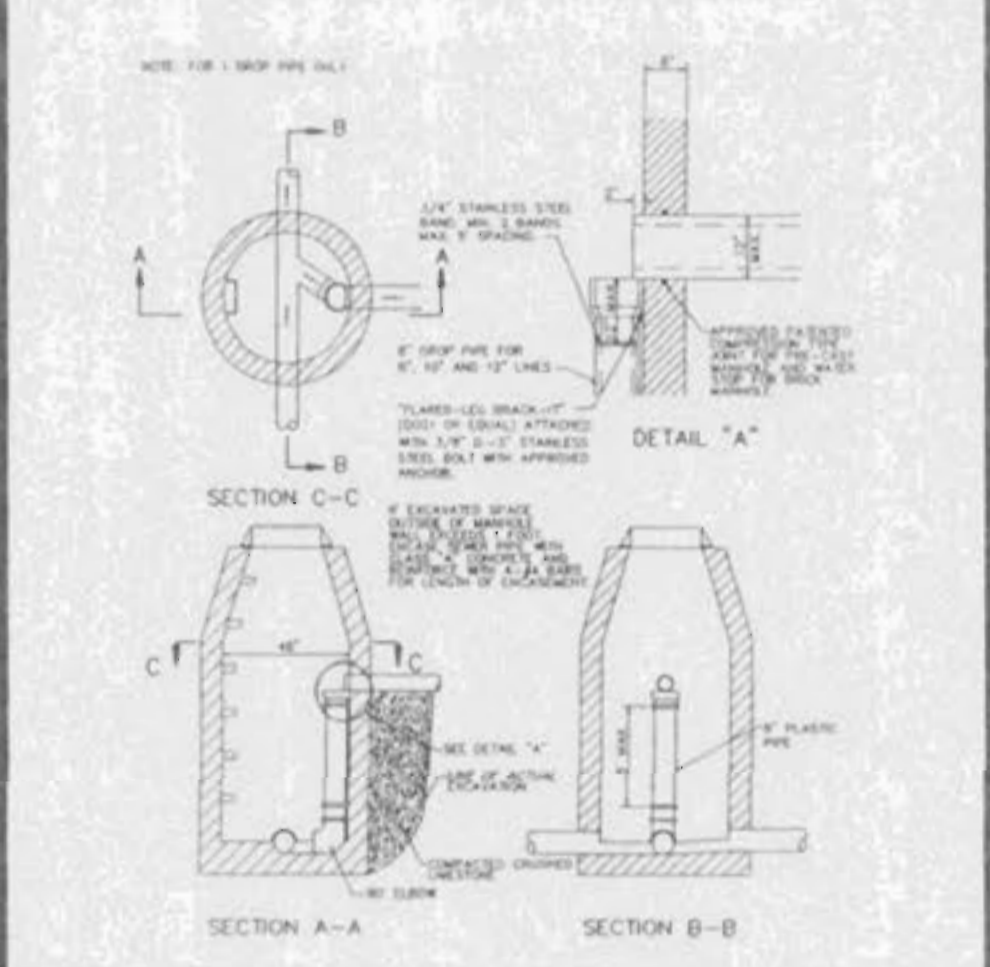
MANHOLE (21-36 DIA PIPES)



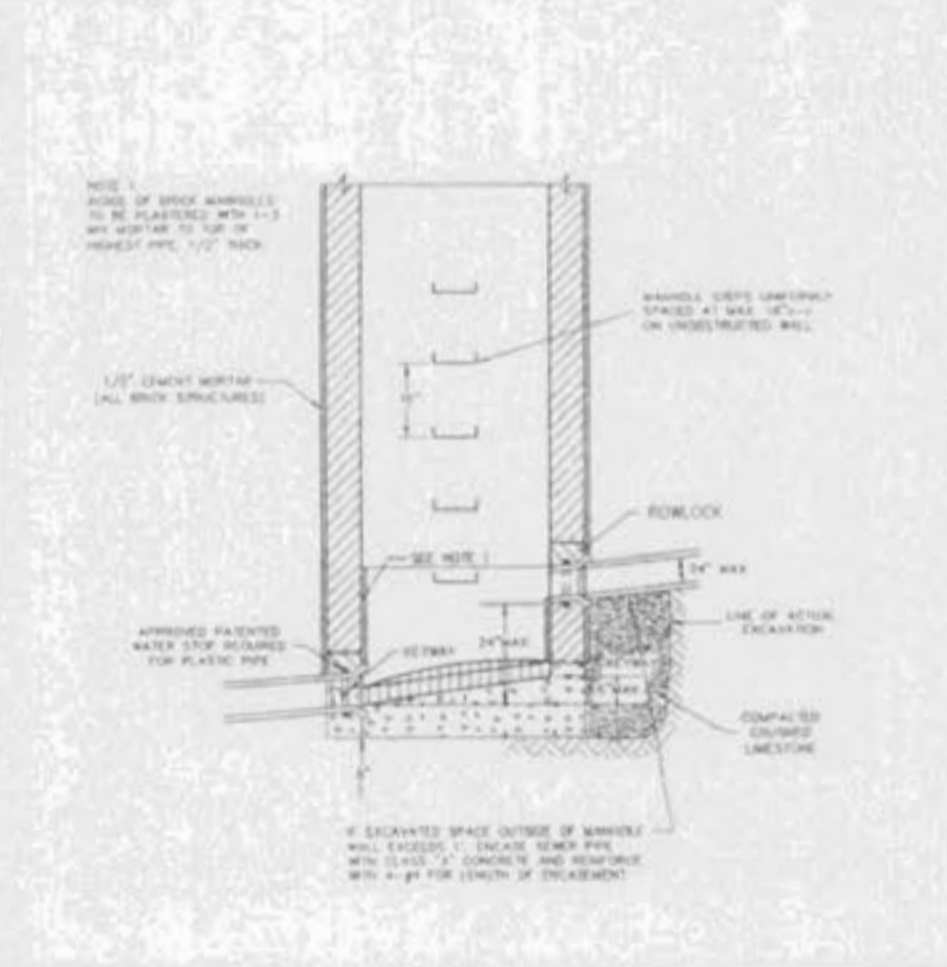
MANHOLE (39-54 DIA PIPES)



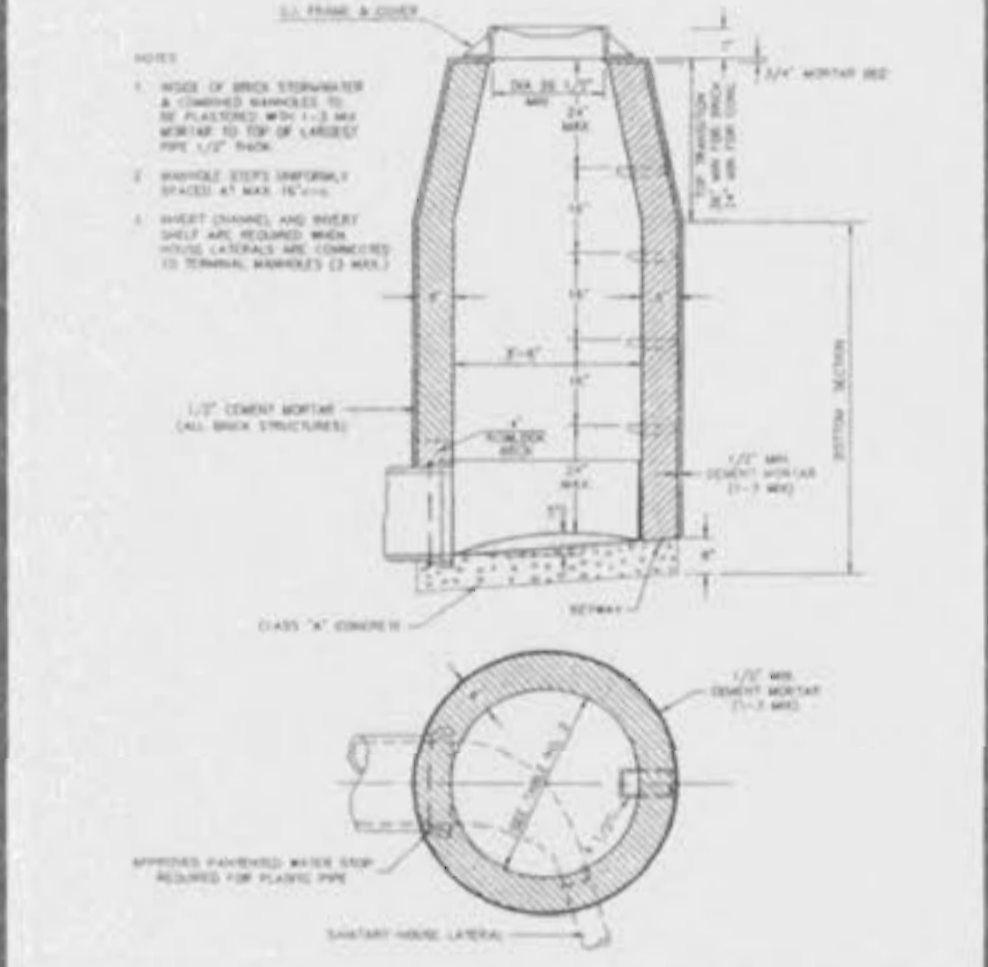
MANHOLE (48\"/>



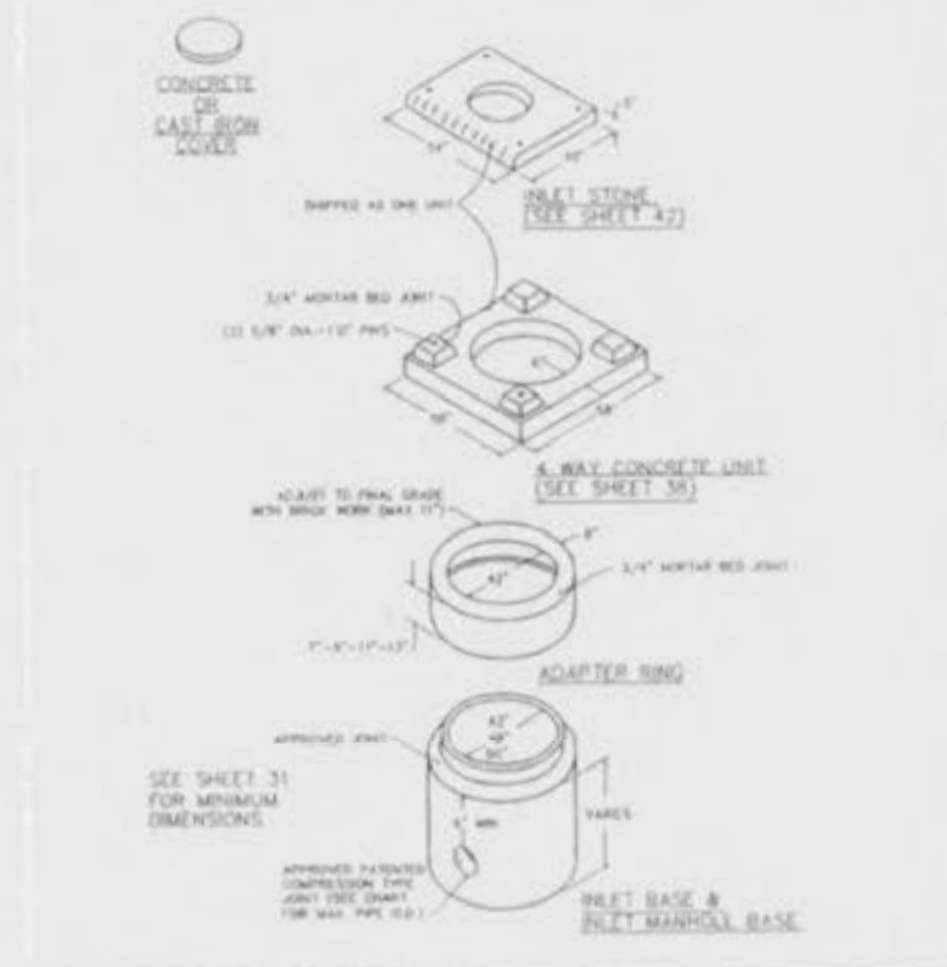
INSIDE DROP MANHOLE



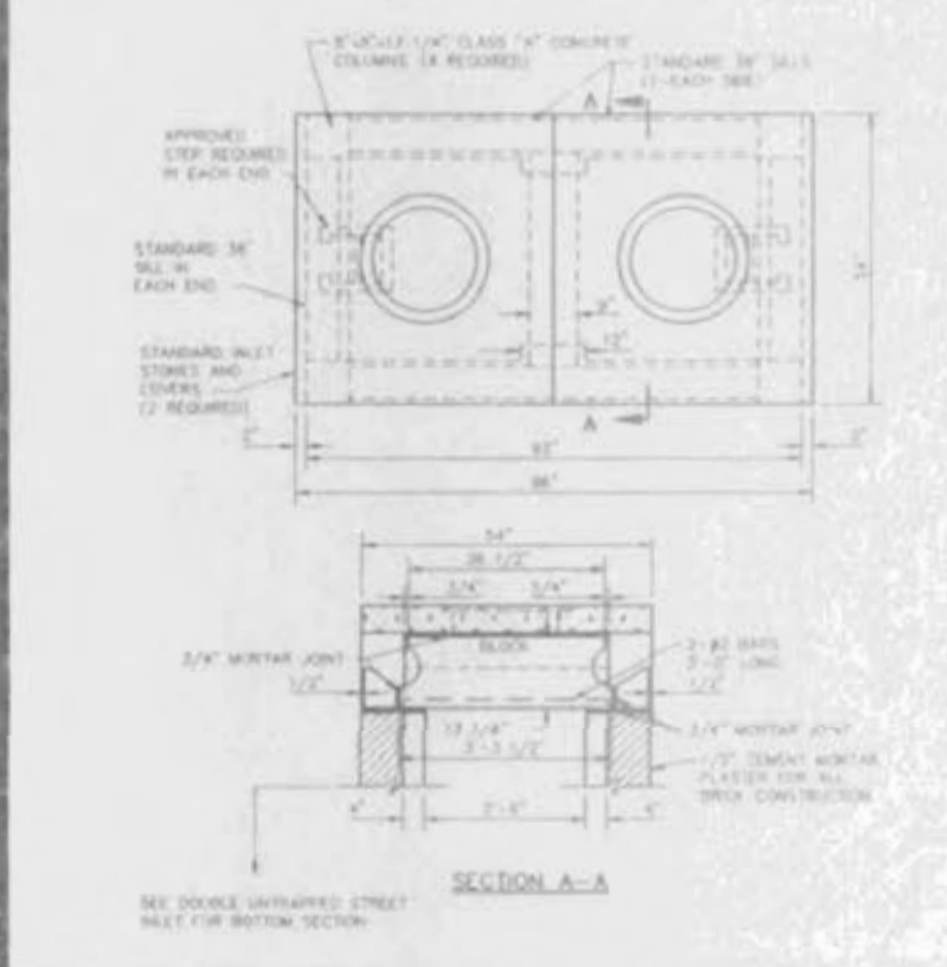
INSIDE DROP MANHOLE (FREE FALL)



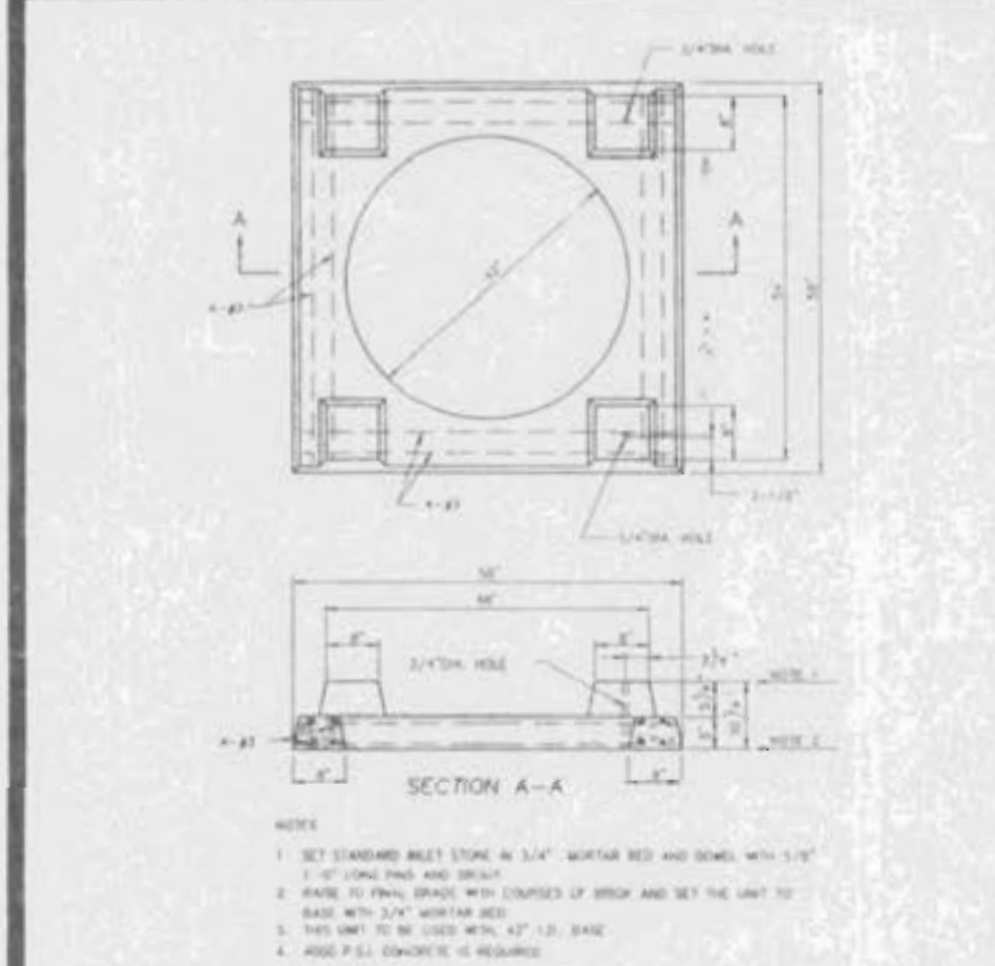
TERMINAL MANHOLE



SINGLE AREA INLET



DOUBLE AREA INLET



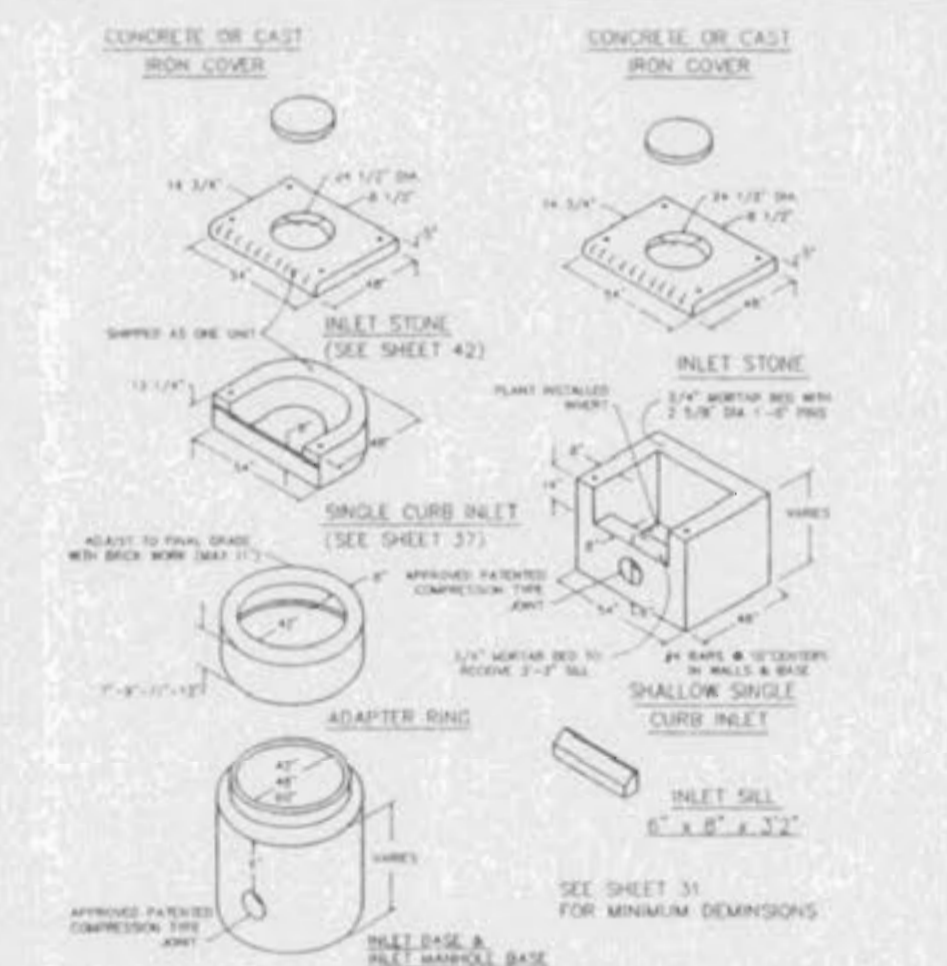
AREA INLET (PRECAST CONCRETE UNIT)

PRECAST CONCRETE STORMWATER STRUCTURES

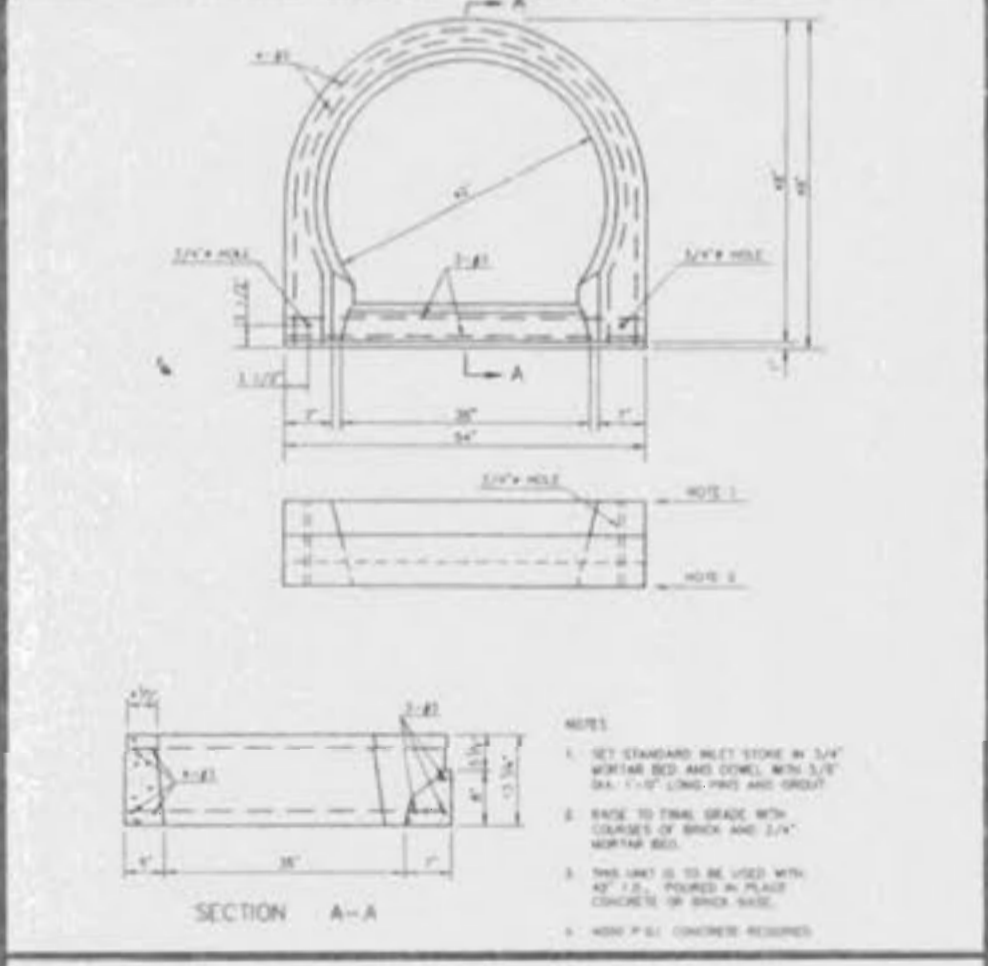
MINIMUM DISTANCE PLUMB TO TOP OF STONE OR GRATE

PIPE DIA	AREA INLET	CONCRETE CURB	CONCRETE CURB	SMALL CIRCULAR
12"	12"	12"	12"	12"
15"	15"	15"	15"	15"
18"	18"	18"	18"	18"
21"	21"	21"	21"	21"
24"	24"	24"	24"	24"
27"	27"	27"	27"	27"
30"	30"	30"	30"	30"
36"	36"	36"	36"	36"
42"	42"	42"	42"	42"
48"	48"	48"	48"	48"
54"	54"	54"	54"	54"
60"	60"	60"	60"	60"

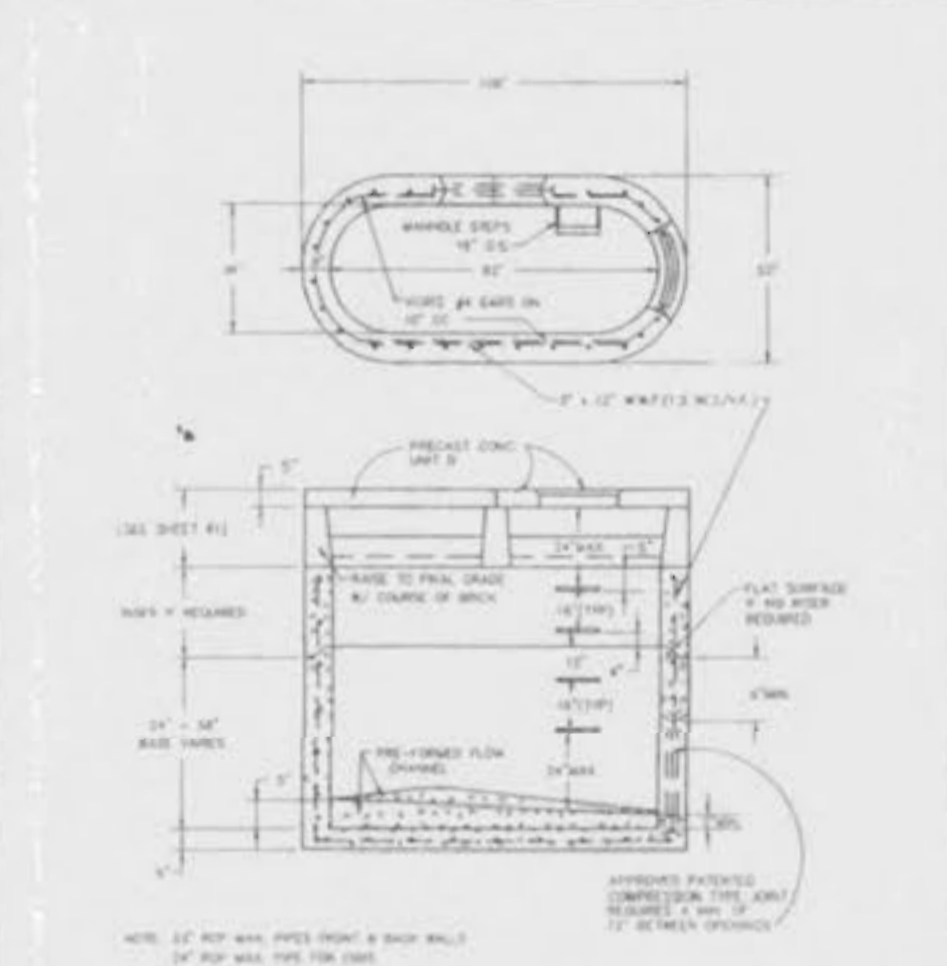
PRECAST CONCRETE STORMWATER STRUCTURES



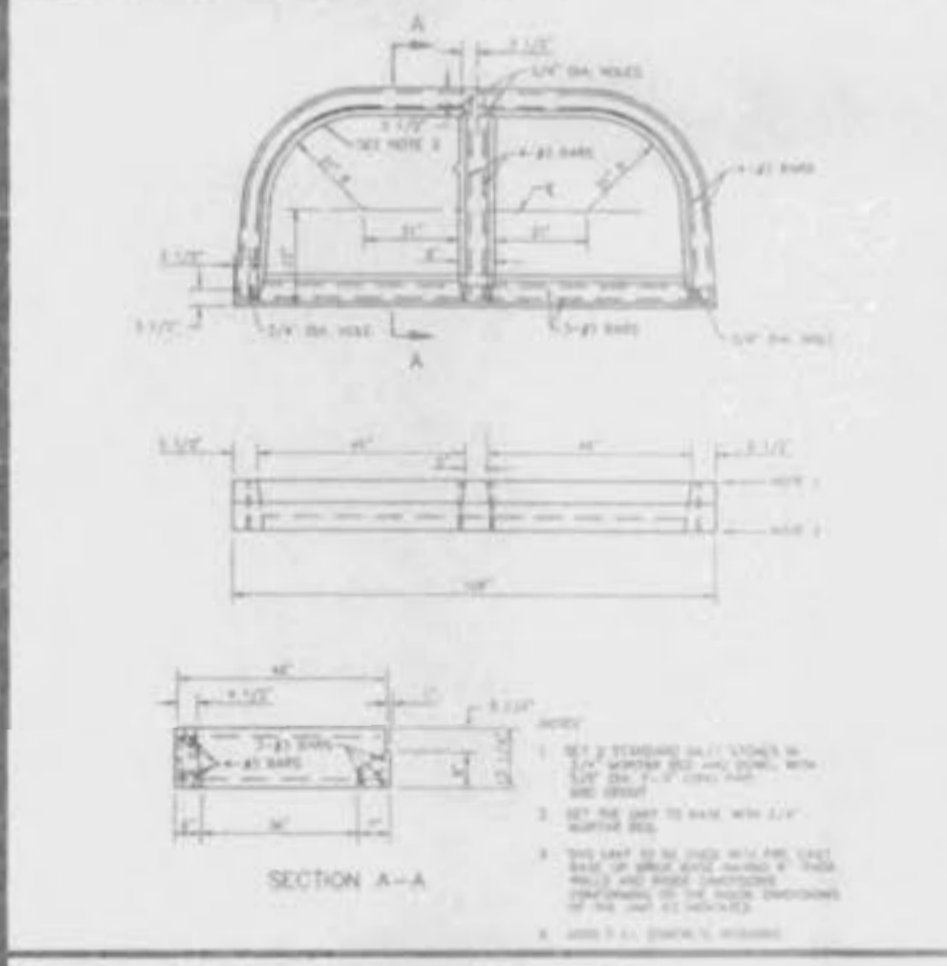
SINGLE CURB INLETS



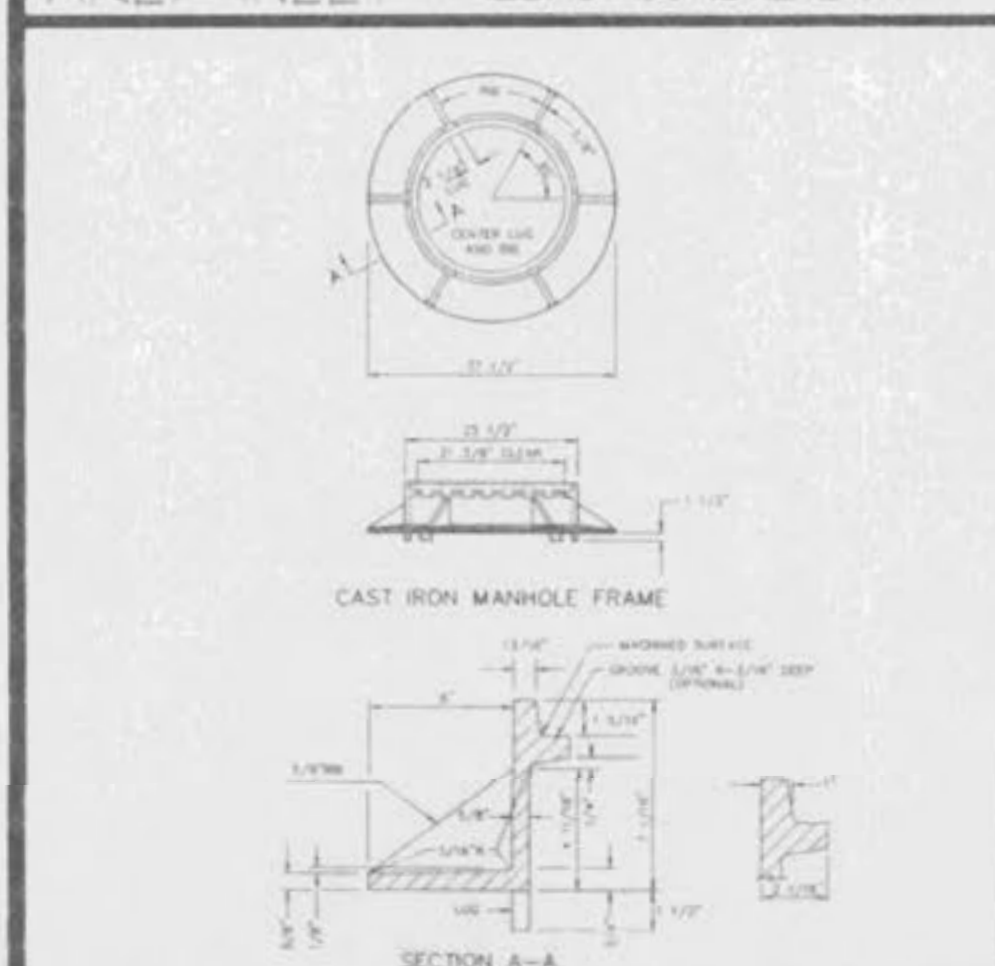
SINGLE CURB INLET (PRECAST CONCRETE UNIT)



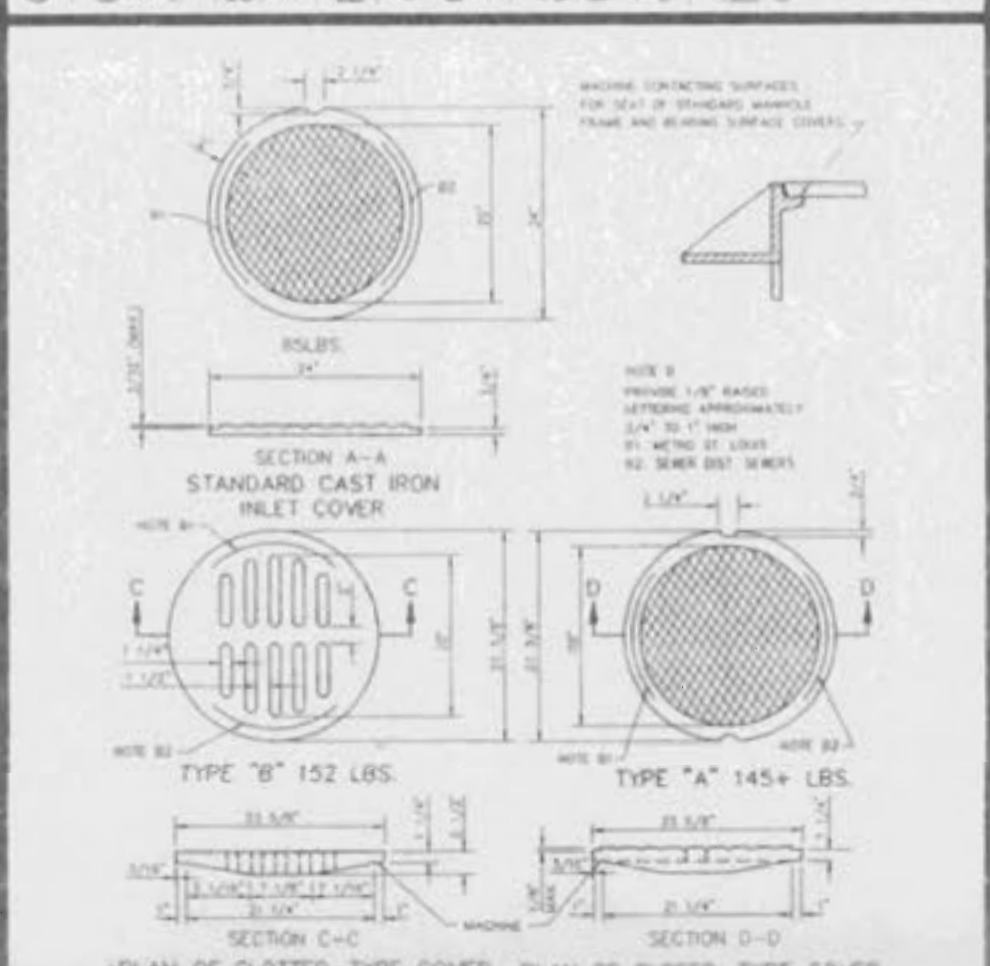
DOUBLE CURB INLET



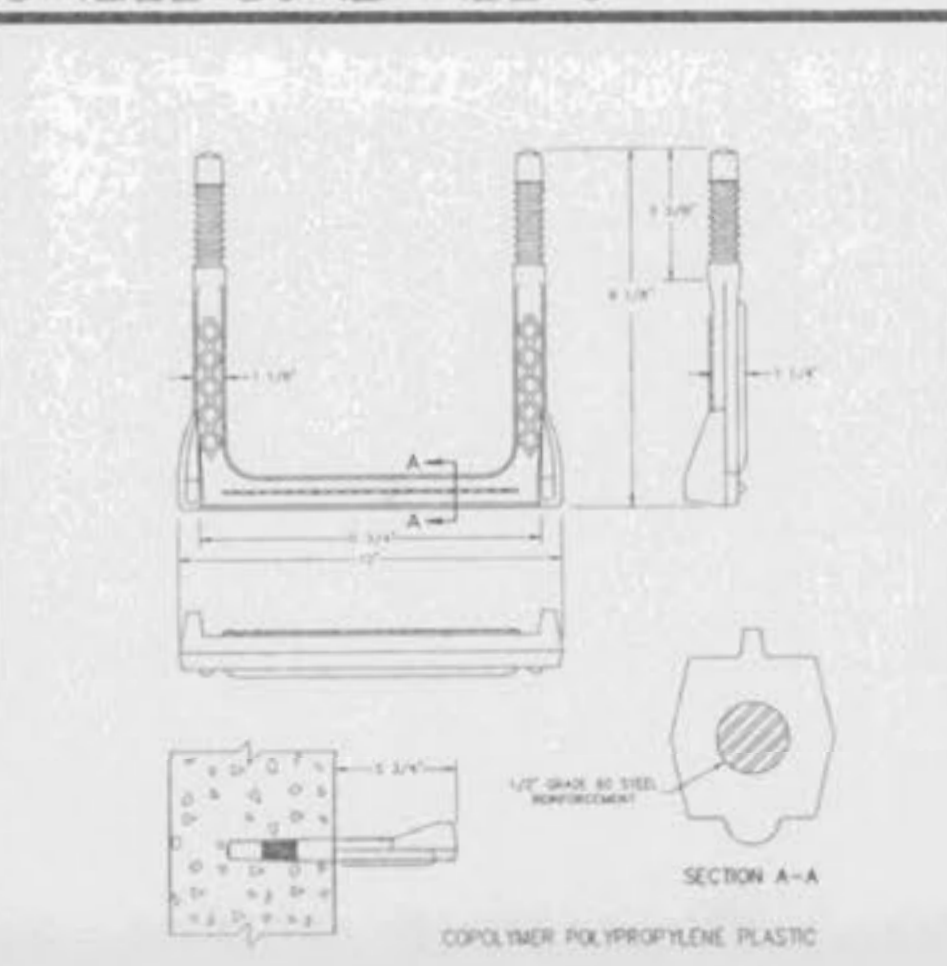
DOUBLE CURB INLET (PRECAST CONCRETE UNIT 'B')



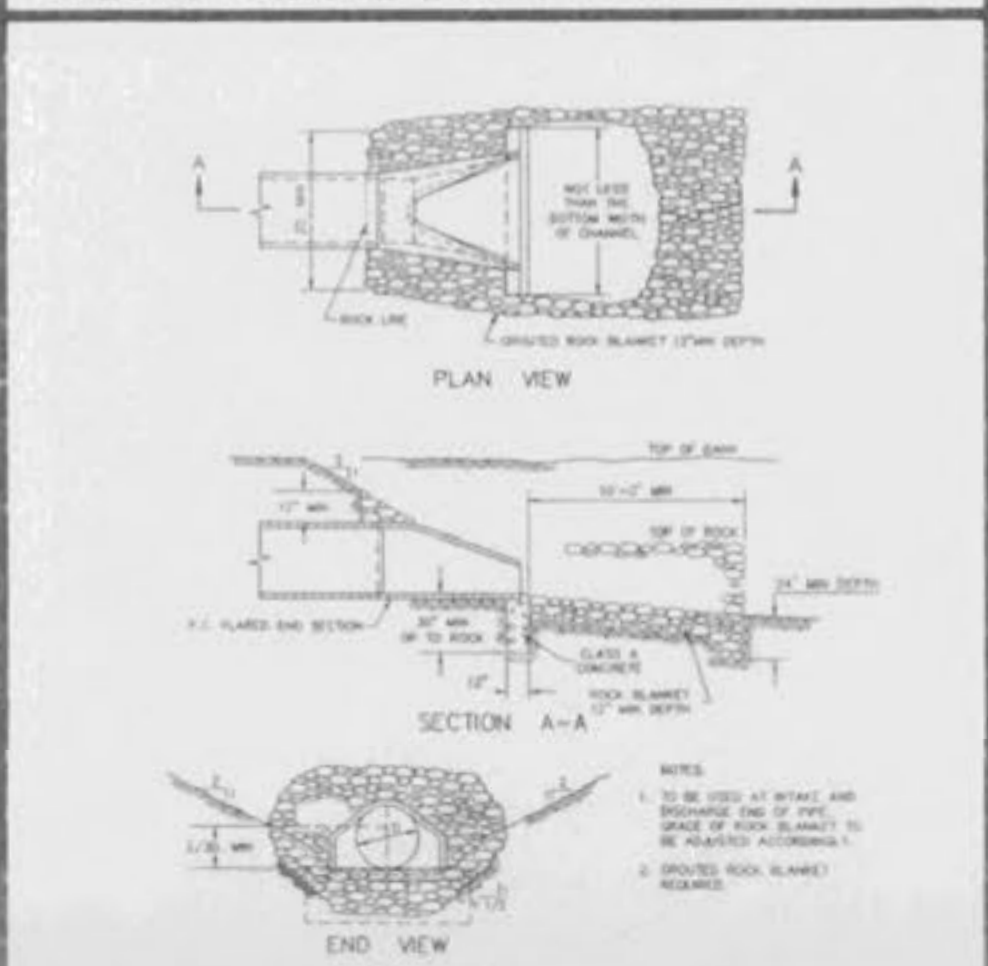
MANHOLE FRAMES



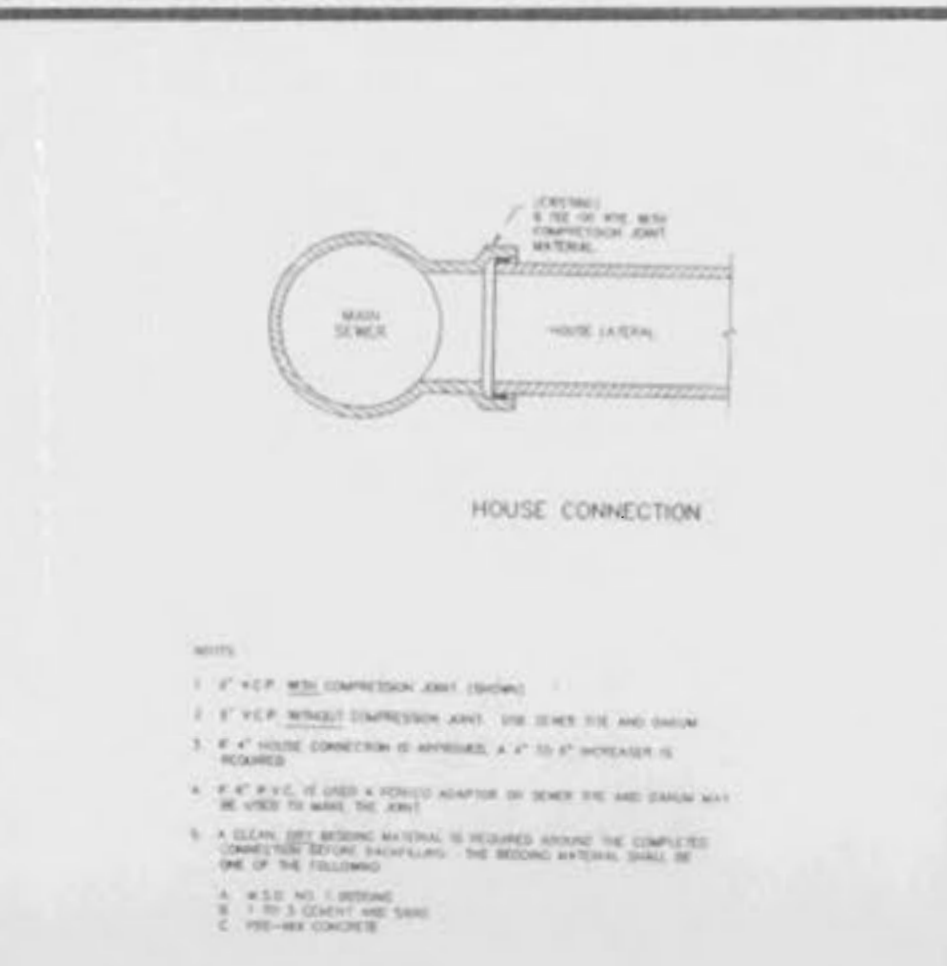
MANHOLE COVERS



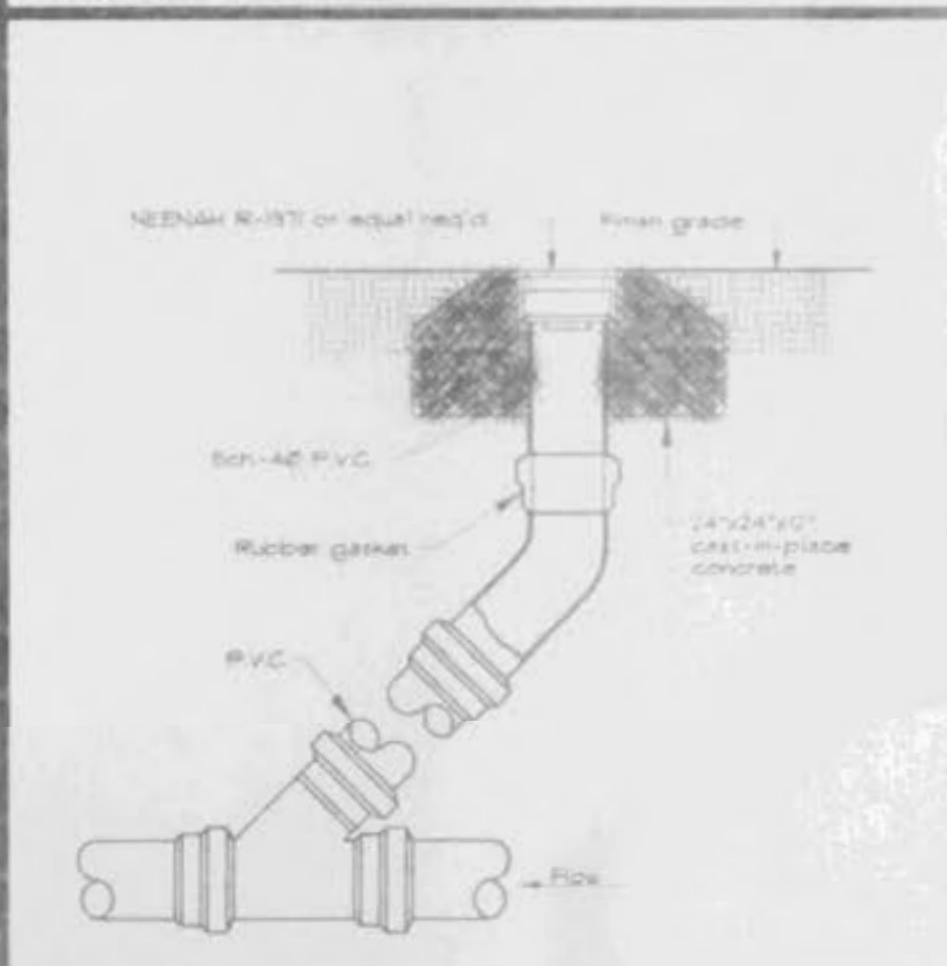
MANHOLE STEPS



FLARED END SECTION



HOUSE CONNECTION



CLEANOUT DETAIL

**GREAT WARRIOR MEADOWS
O'FALLON, MISSOURI**

WASHINGTON ENGINEERING & ARCHITECTURE
1426 West Fifth Street • WASHINGTON, MO 63090 • (314)-239-6550

PROJECT NO. 1517
SHEET NO. 14 OF 15

DATE: 5-30-95

REVISIONS:

ISSUE DATE: 5-30-95

SHEET TITLE: DETAIL SHEET