

**BAX ENGINEERING CO., INC.**  
 221 Point West Blvd.  
 St. Charles, MO 63301  
 Phone: 636-928-5552  
 Fax: 636-928-1718

Missouri State Certificate of Authority - Engineering #080845  
 Missouri State Certificate of Authority - Surveying #000144

**PROJECT NAME:**  
**GUTHRIE ROAD IMPROVEMENTS**  
 BURNING BROOK DR. TO BLUFF BROOK DR.  
 O'FALLON, ST. CHARLES COUNTY, MO, 63366

**PREPARED FOR:**  
**CITY OF O'FALLON**  
 100 N. MAIN STREET  
 O'FALLON, MO, 63366  
 636-240-2000

**REVISIONS**

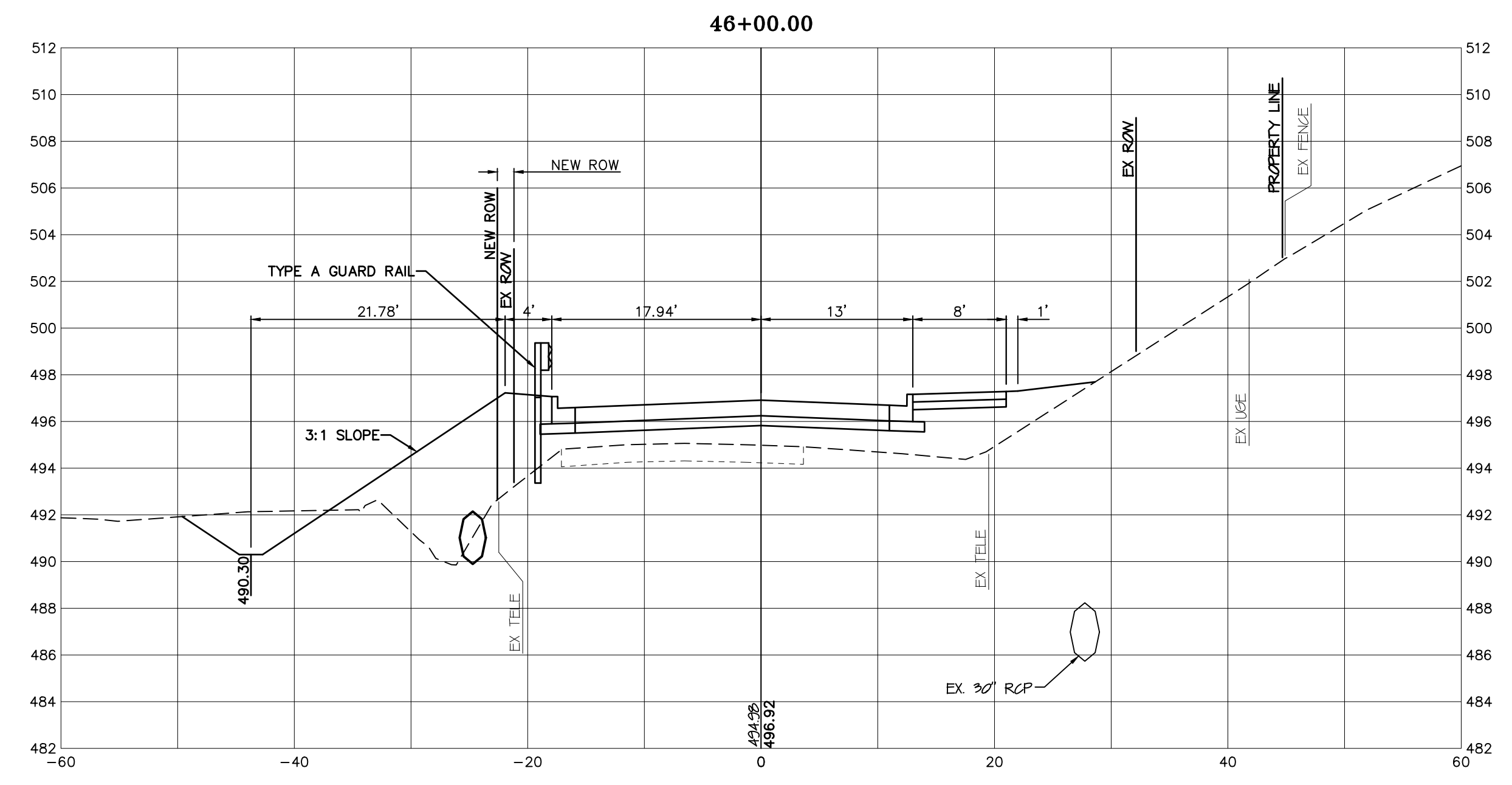
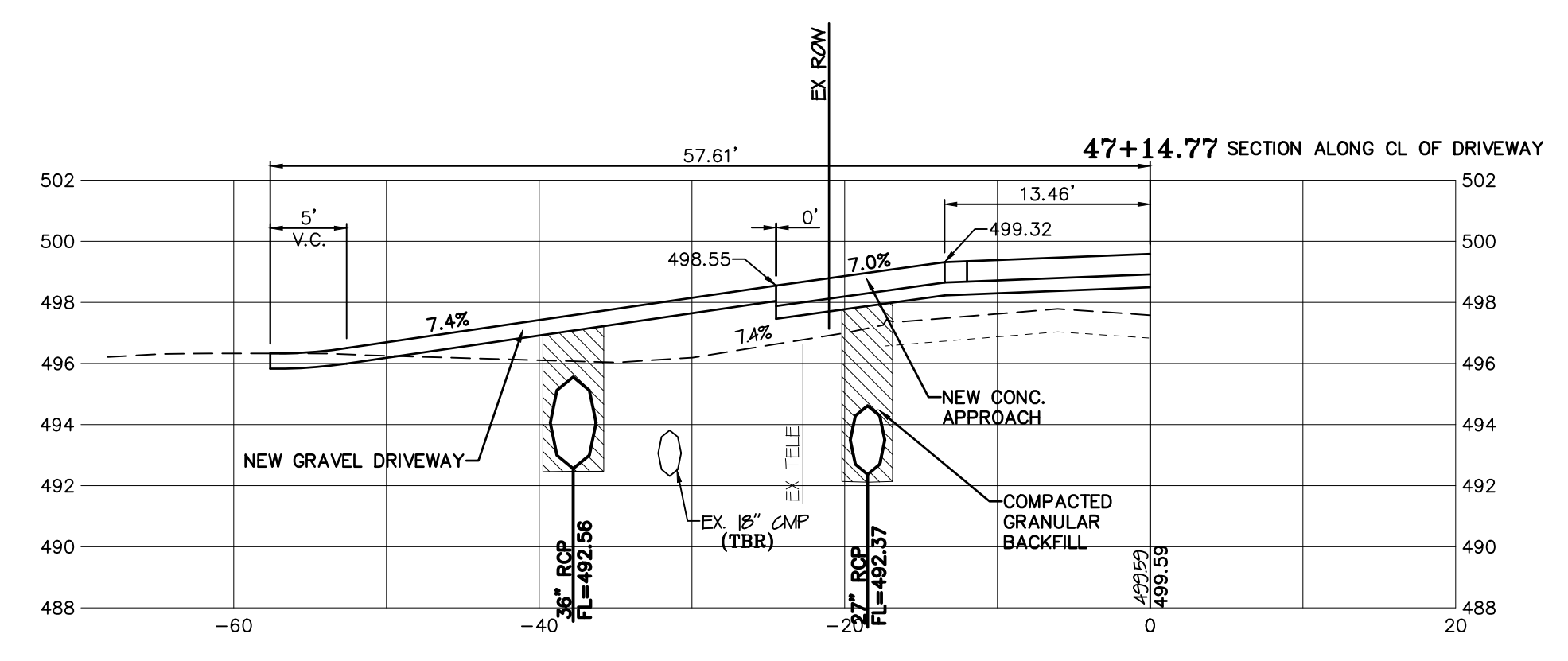
DATE	DESCRIPTION	REVISED PER
01/03/20	REVISIONS TO PRELIMINARY PLAN	CITY COMMENTS
03/06/20	PRELIMINARY PLAN SUBMITTAL	
11/21/22	PRE-FINAL PLAN SUBMITTAL	
01/20/23	FINAL PLAN SUBMITTAL	
01/26/23	FINAL PLANS - BID SET	

**DISCLAIMER OF RESPONSIBILITY**  
 I hereby disclaim any responsibility for all other drawings, specifications, estimates, reports or other documents or instruments relating to or intended to be used for any part or parts of the architectural or engineering project or survey other than those authenticated by my seal.

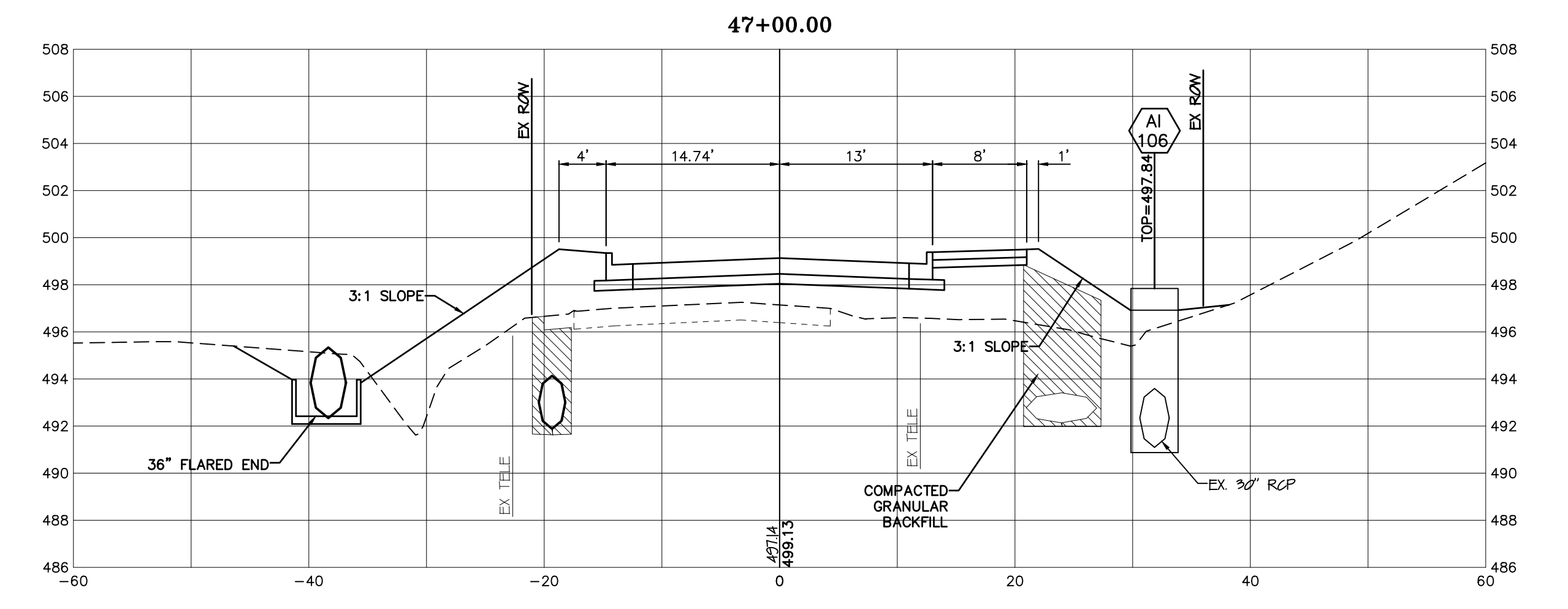


Scott O. Kolkmeier  
 Civil Engineer  
 MO 024744

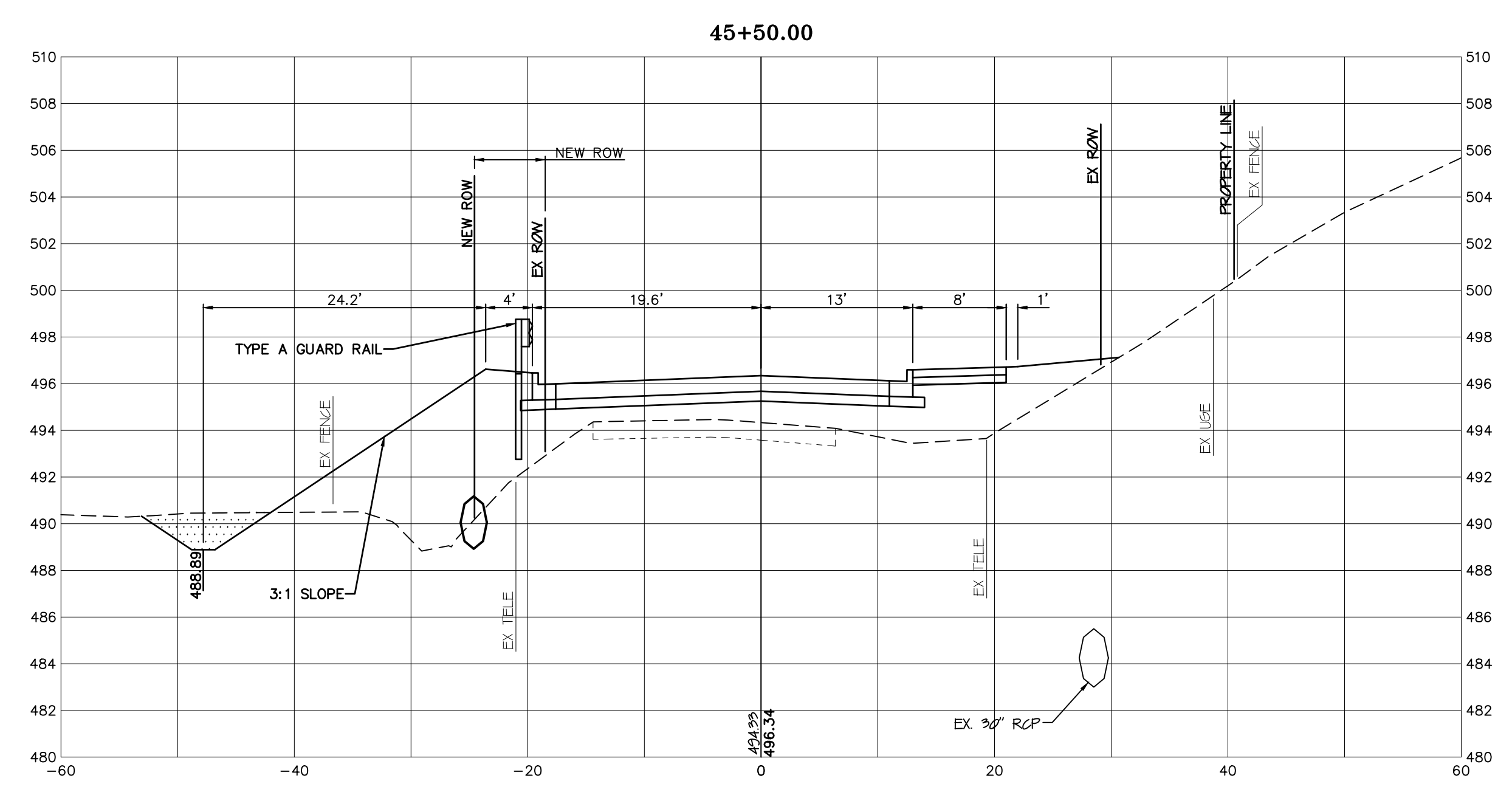
**CROSS SECTIONS**  
 SHEET  
 23 OF 49



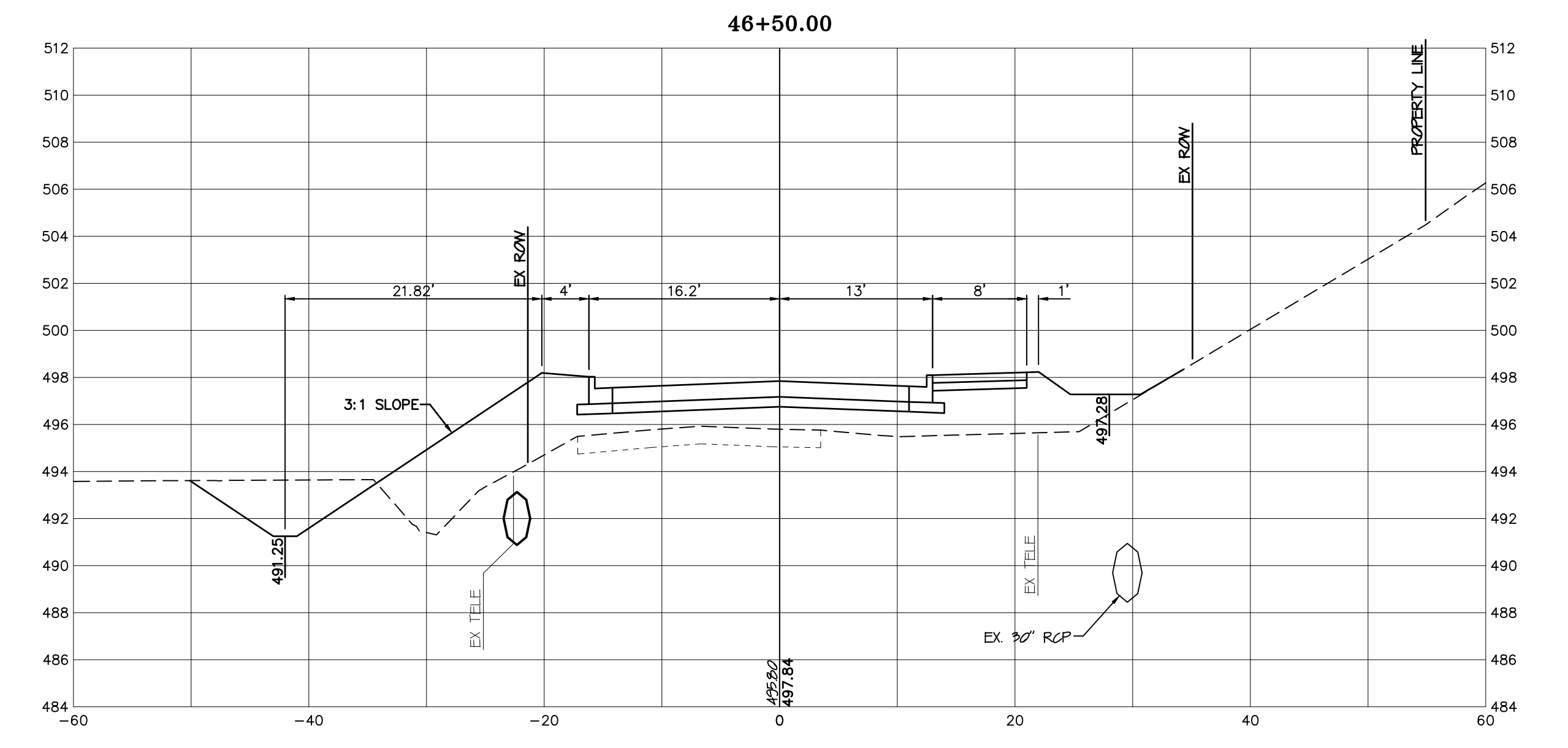
CUT=21.82 C.Y.  
 FILL=236.65 C.Y.



CUT=41.04 C.Y.  
 FILL=208.79 C.Y.



CUT=506.59 C.Y.  
 FILL=322.47 C.Y.



CUT=32.53 C.Y.  
 FILL=202.91 C.Y.

SCALE:  
 HORIZ: 1"=10'  
 VERT: 1"=5'