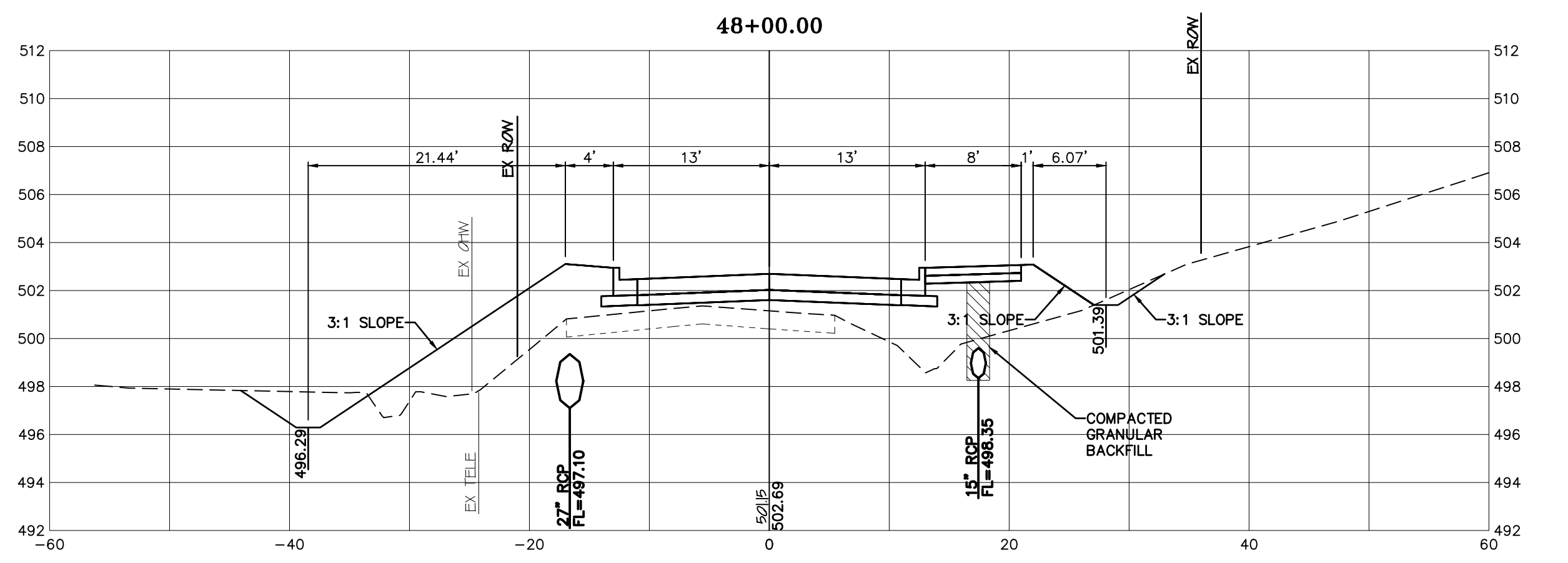
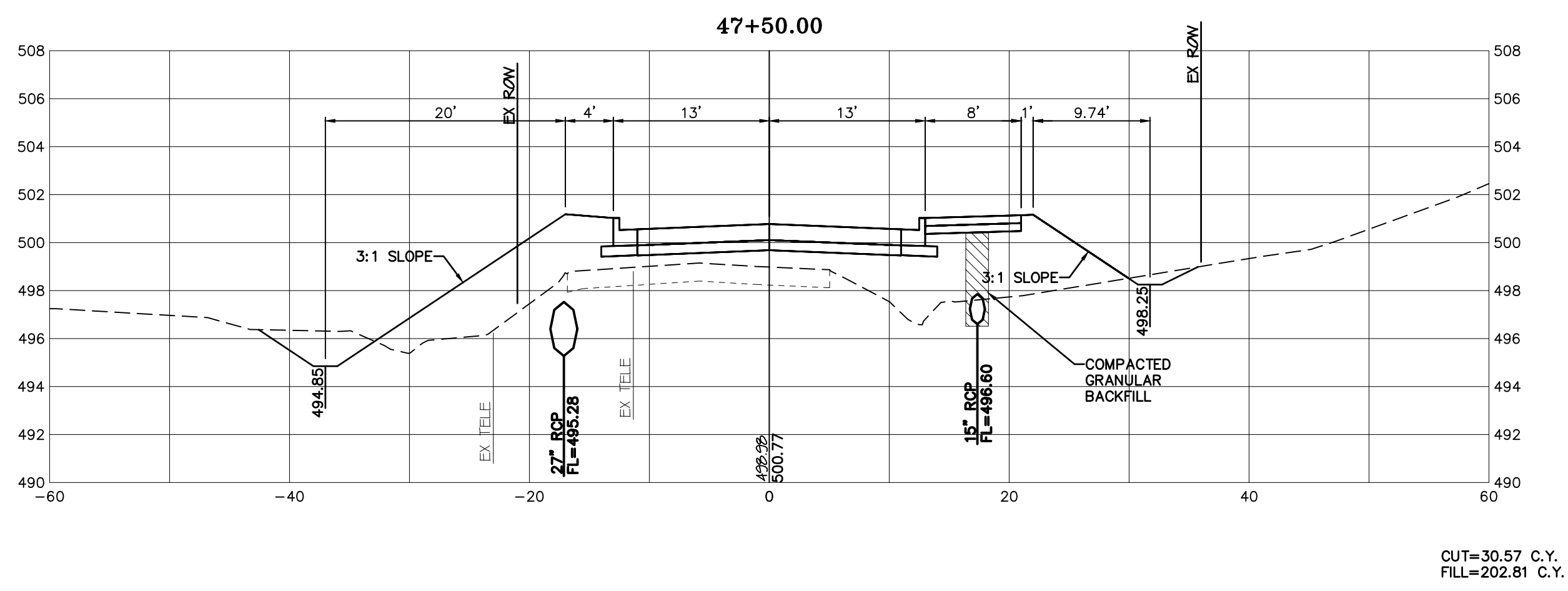


CUT=19.42 C.Y.
FILL=145.53 C.Y.



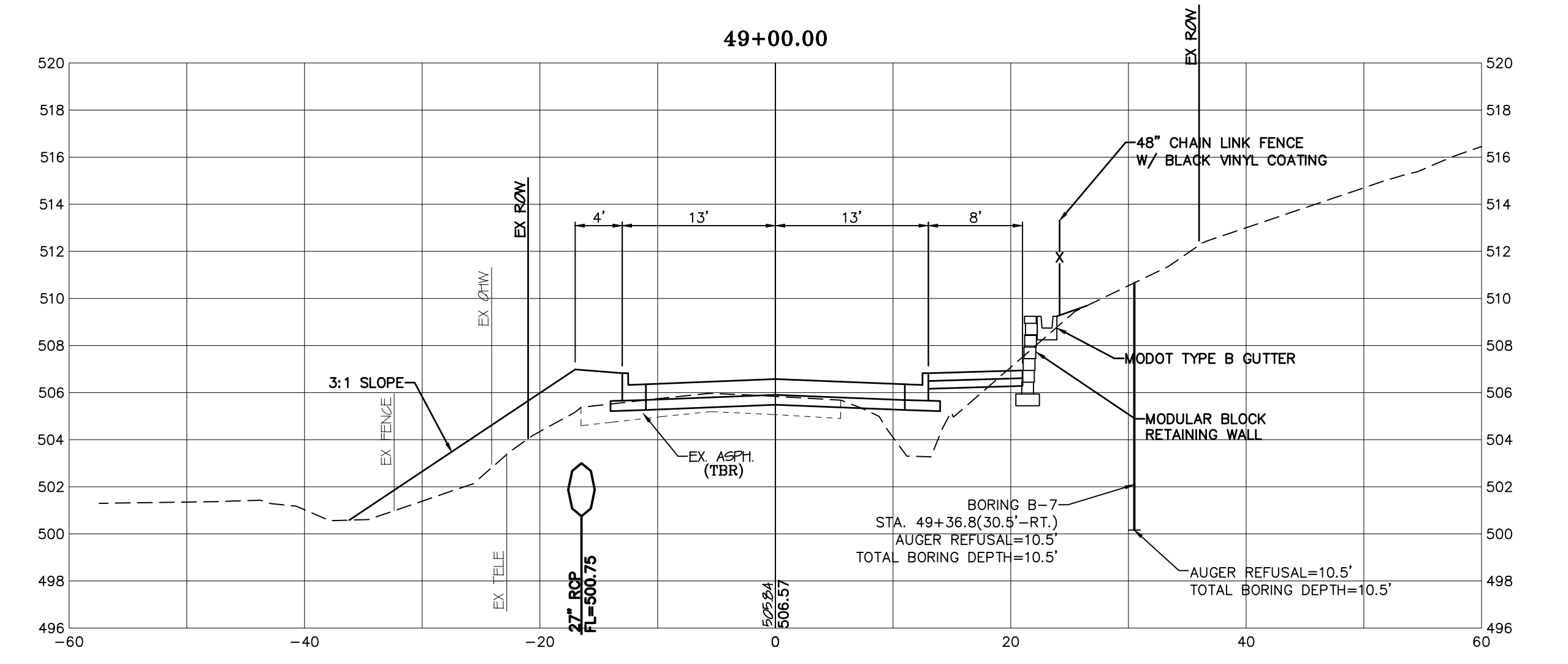
CUT=19.77 C.Y.
FILL=180.02 C.Y.



CUT=30.57 C.Y.
FILL=202.81 C.Y.




CUT=24.19 C.Y.
FILL=67.81 C.Y.



CUT=14.06 C.Y.
FILL=112.21 C.Y.

SCALE:
HORIZ: 1"=10'
VERT: 1"=5'

BAX ENGINEERING CO., INC.
221 Point West Blvd.
St. Charles, MO 63301
Phone: 636-928-5552
Fax: 636-928-1718



Missouri State Certificate of Authority: Engineering #089845
Missouri State Certificate of Authority: Surveying #000144

PROJECT NAME:
GUTHRIE ROAD IMPROVEMENTS
BURNING BROOK DR. TO BLUFF BROOK DR.
O'FALLON, ST. CHARLES COUNTY, MO, 63366

PREPARED FOR:
CITY OF O'FALLON
100 N. MAIN STREET
O'FALLON, MO, 63366
636-240-2000

REVISIONS

DATE	DESCRIPTION
01/03/20	REVISED PER CITY COMMENTS
03/06/20	PRELIMINARY PLAN SUBMITTAL
11/21/22	PRE-FINAL PLAN SUBMITTAL
01/20/23	FINAL PLAN SUBMITTAL
01/28/23	FINAL PLANS - BID SET

DISCLAIMER OF RESPONSIBILITY
I hereby disclaim any responsibility for all other drawings, specifications, estimates, reports or other documents or instruments relating to or intended to be used for any part or parts of the architectural or engineering project or survey other than those indicated by my seal.



Scott O. Kolkmeier
Civil Engineer
MO 024744

CROSS SECTIONS
SHEET
24 OF 49

DATE: 04/22/2021
PROJECT NO.: 19-17665