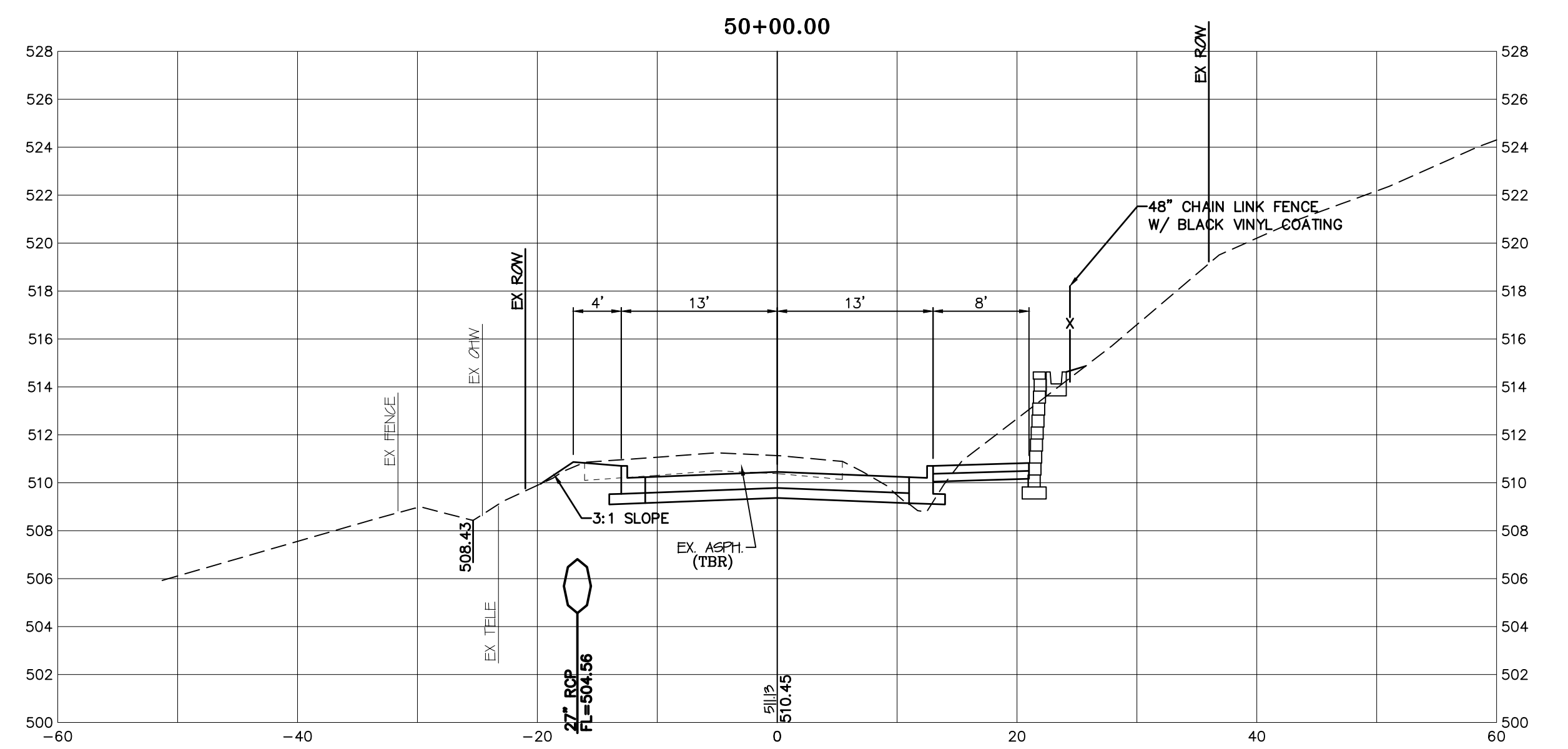
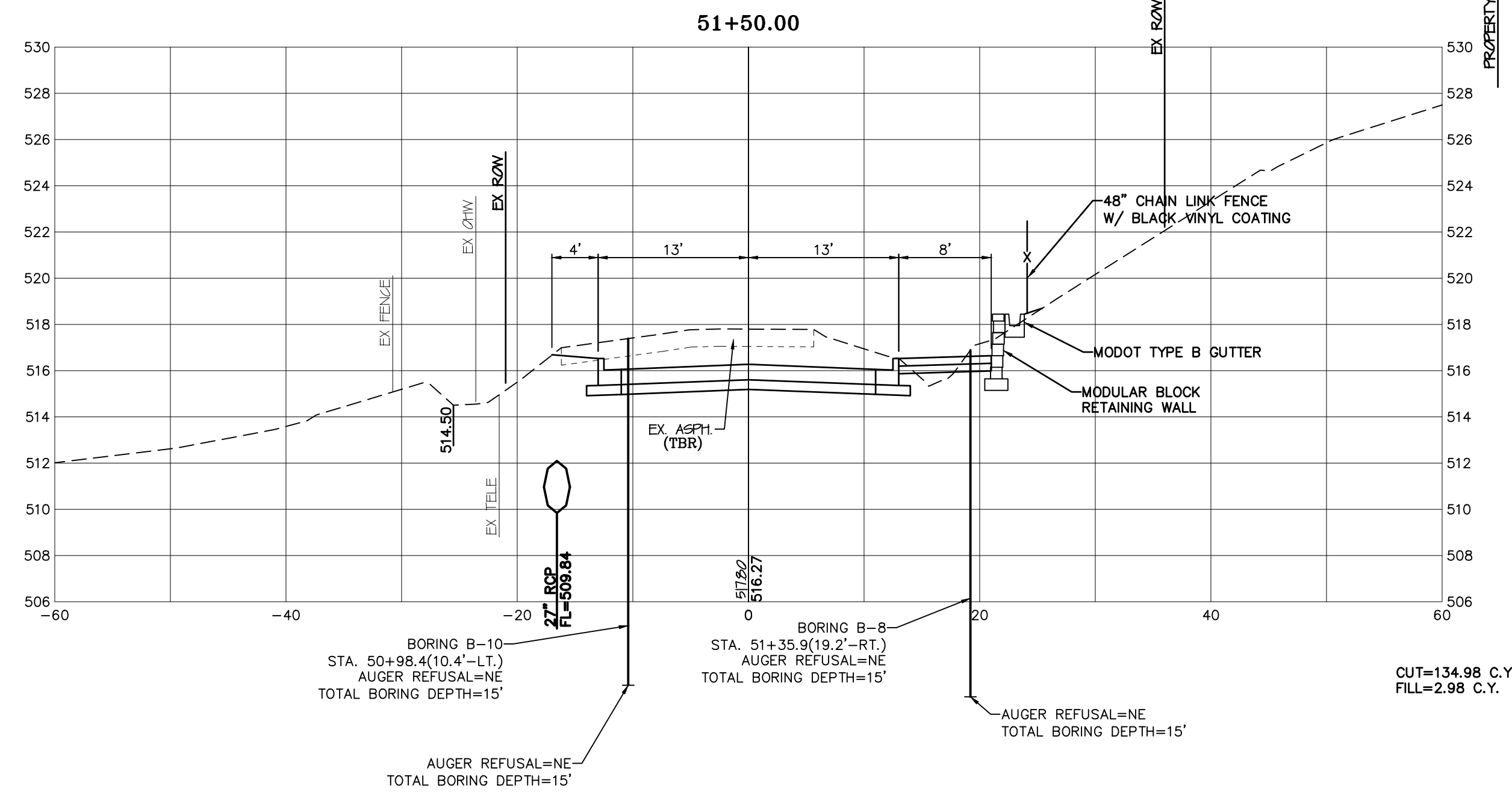


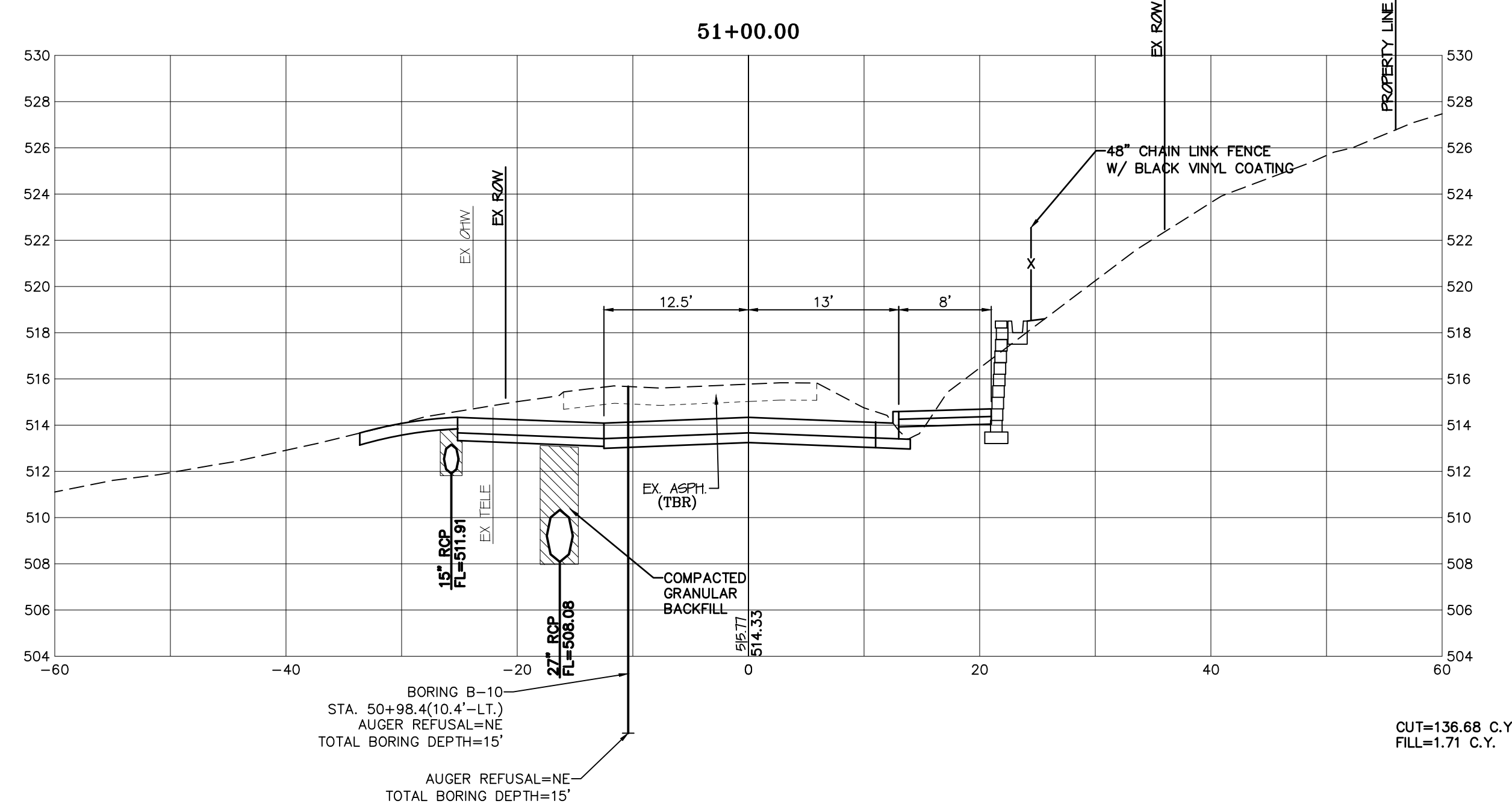
CUT=93.87 C.Y.  
FILL=3.79 C.Y.



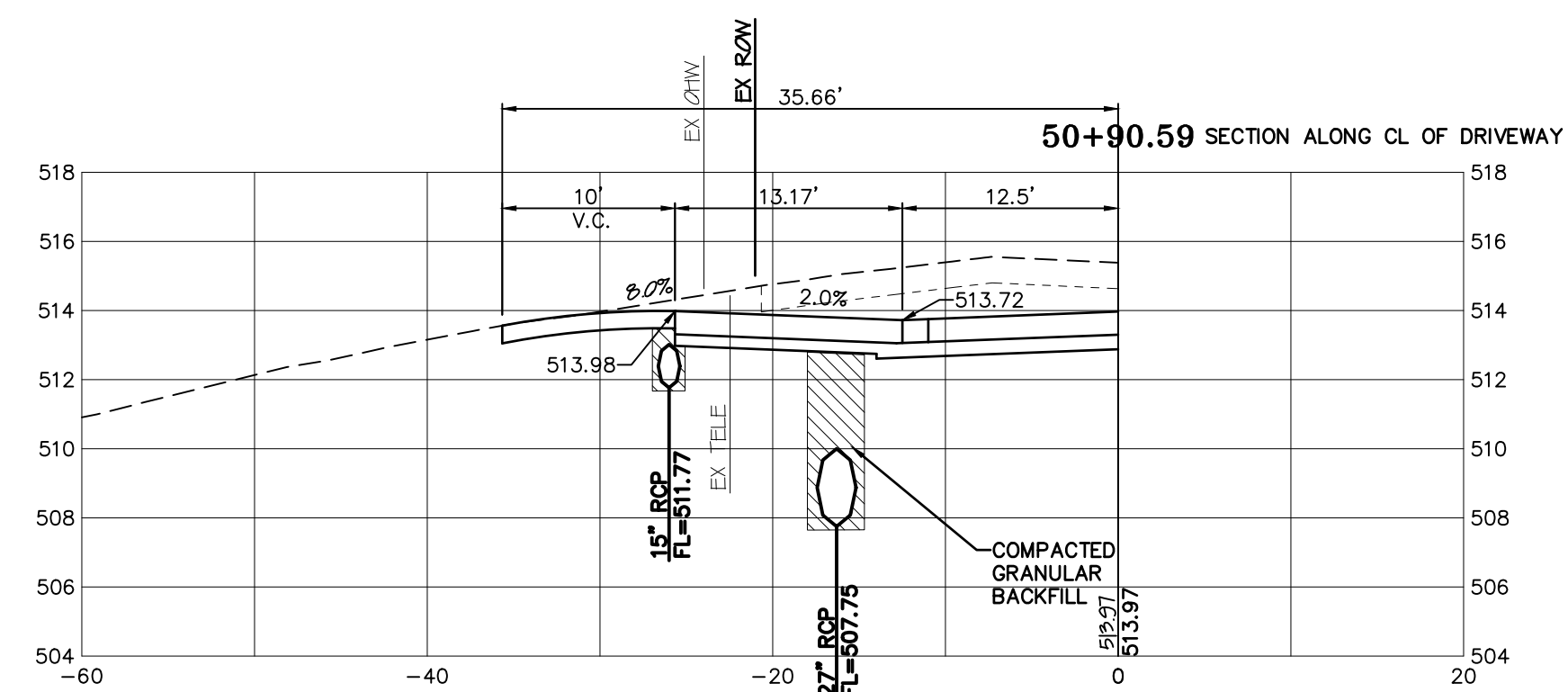
CUT=58.80 C.Y.  
FILL=21.27 C.Y.



CUT=134.98 C.Y.  
FILL=2.98 C.Y.

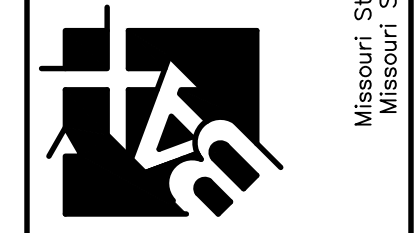


CUT=136.68 C.Y.  
FILL=1.71 C.Y.



SCALE:  
HORIZ: 1"=10'  
VERT: 1"=5'

**BAX ENGINEERING CO., INC.**  
221 Point West Blvd.  
St. Charles, MO 63301  
Phone: 636-928-5552  
Fax: 636-928-1718



**GUTHRIE ROAD IMPROVEMENTS**  
BURNING BROOK DR. TO BLUFF BROOK DR.  
O'FALLON, ST. CHARLES COUNTY, MO, 63366

**CITY OF O'FALLON**  
100 N. MAIN STREET  
O'FALLON, MO, 63366  
636-240-2000

REVISIONS

DATE	DESCRIPTION
01/03/20	REVISED PER CITY COMMENTS
03/06/20	PRELIMINARY PLAN SUBMITTAL
11/21/22	PRE-FINAL PLAN SUBMITTAL
01/20/23	FINAL PLAN SUBMITTAL
01/26/23	FINAL PLANS - BID SET

DISCLAIMER OF RESPONSIBILITY  
I hereby disclaim any responsibility for all other drawings, specifications, estimates, reports or other documents or instruments relating to or intended to be used for any part or parts of the architectural or engineering project or survey other than those indicated by my seal.



Scott O. Kolkmeier  
Civil Engineer  
MO 024744

**CROSS SECTIONS**  
SHEET  
25 OF 49

Missouri State Certificate of Authority, Engineering #080845  
Missouri State Certificate of Authority, Surveying #000144

PROJECT NO.: 19-17665

DATE: 04/22/2021