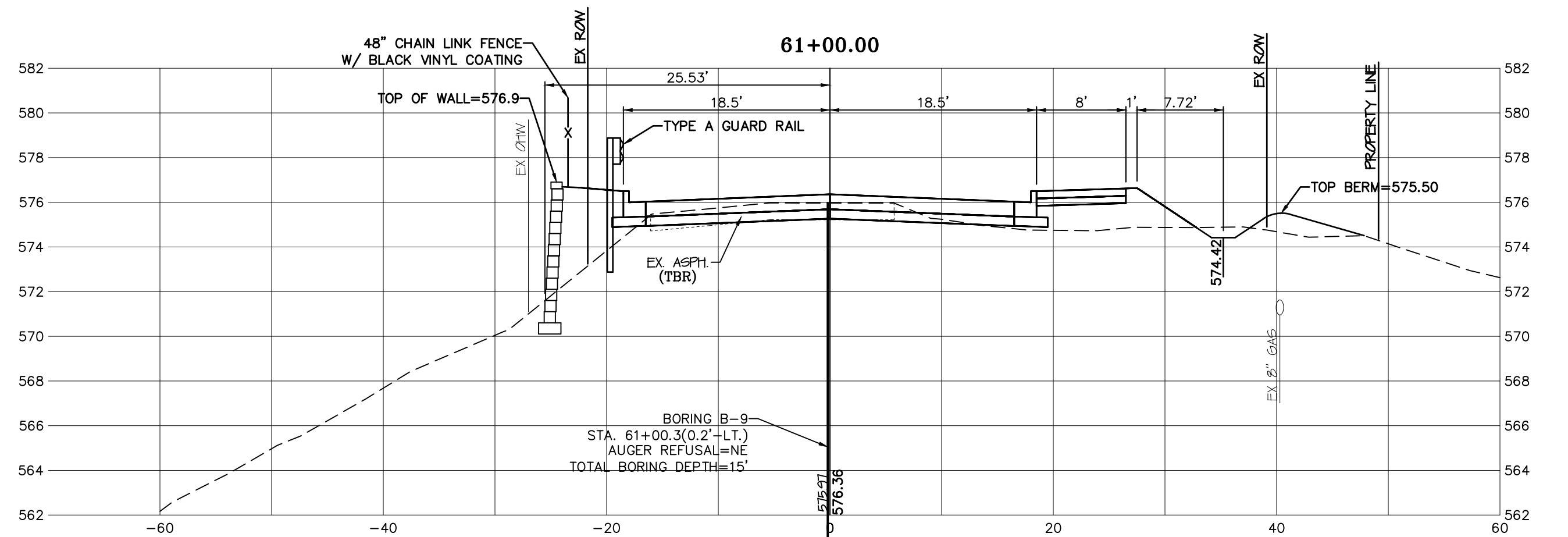
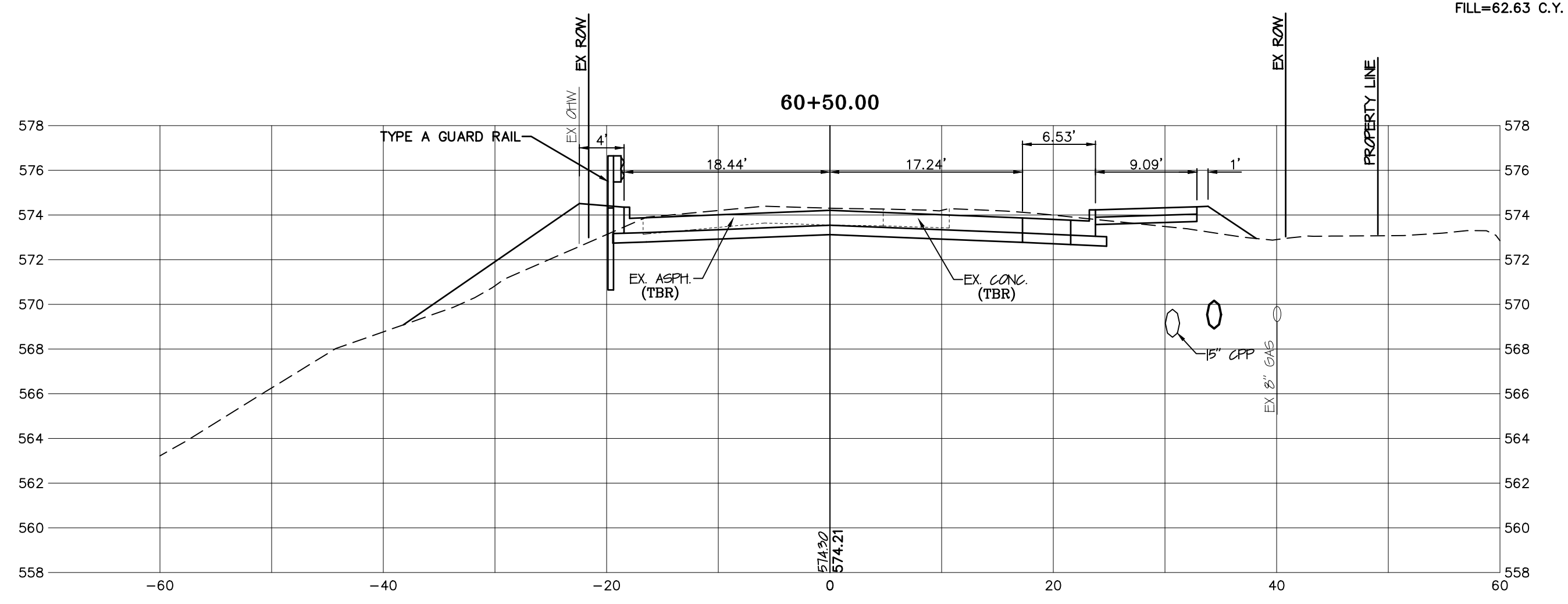


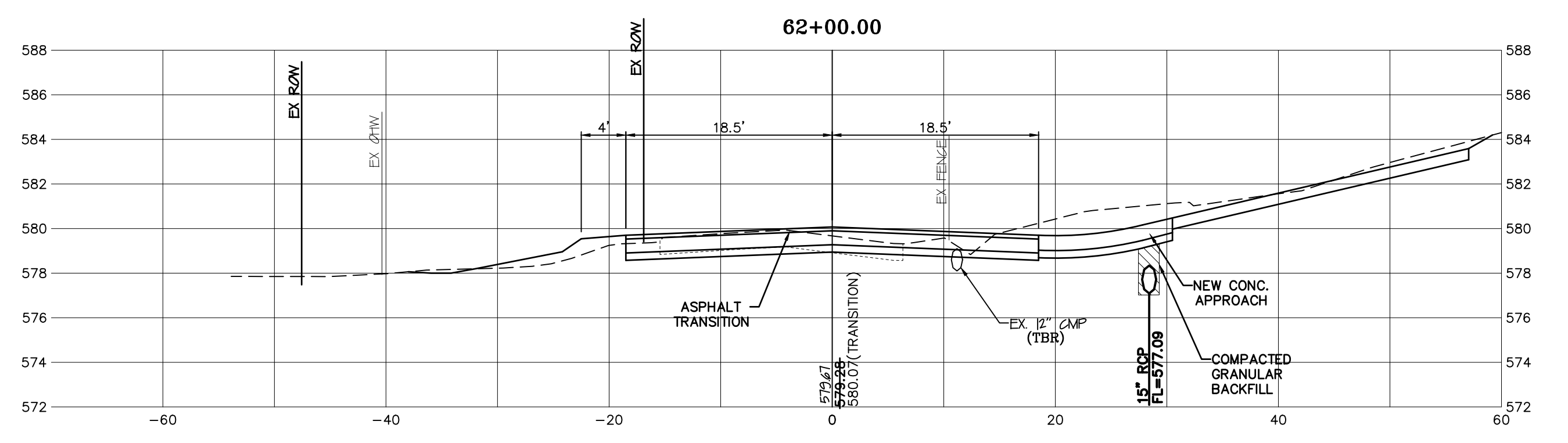
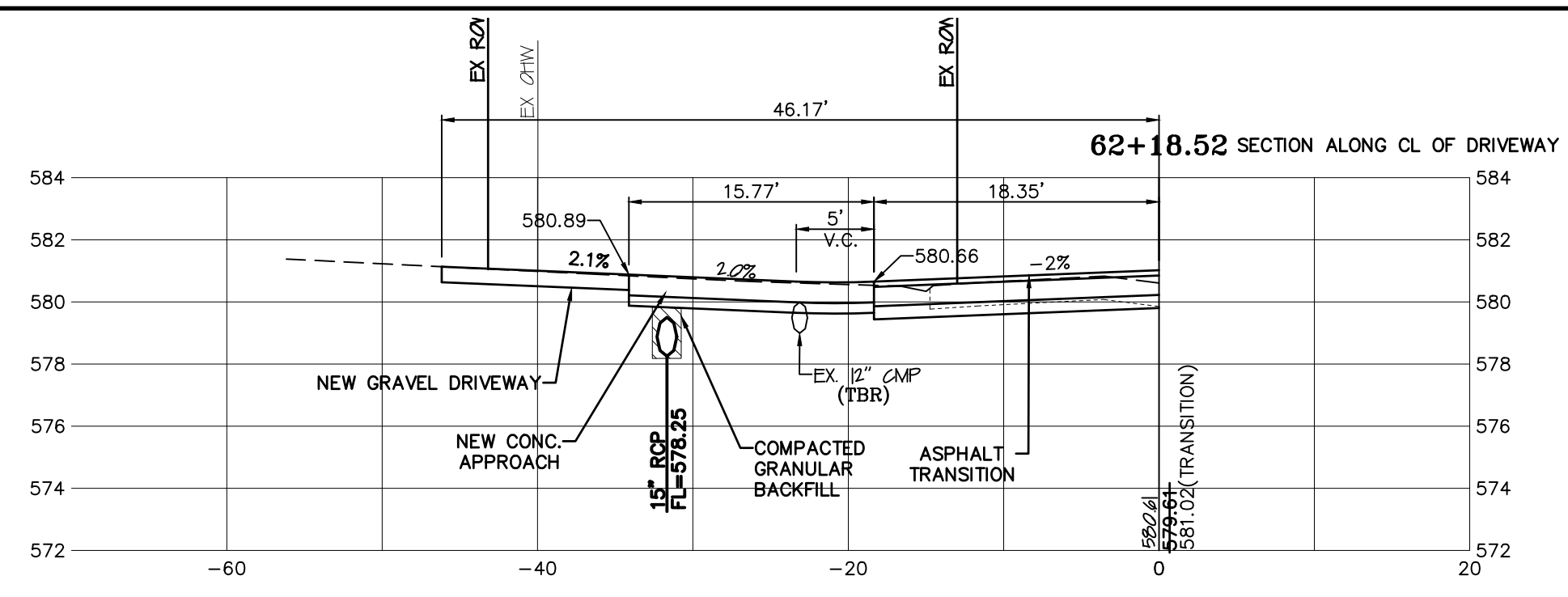
OUT=27.47 C.Y.
FILL=43.85 C.Y.



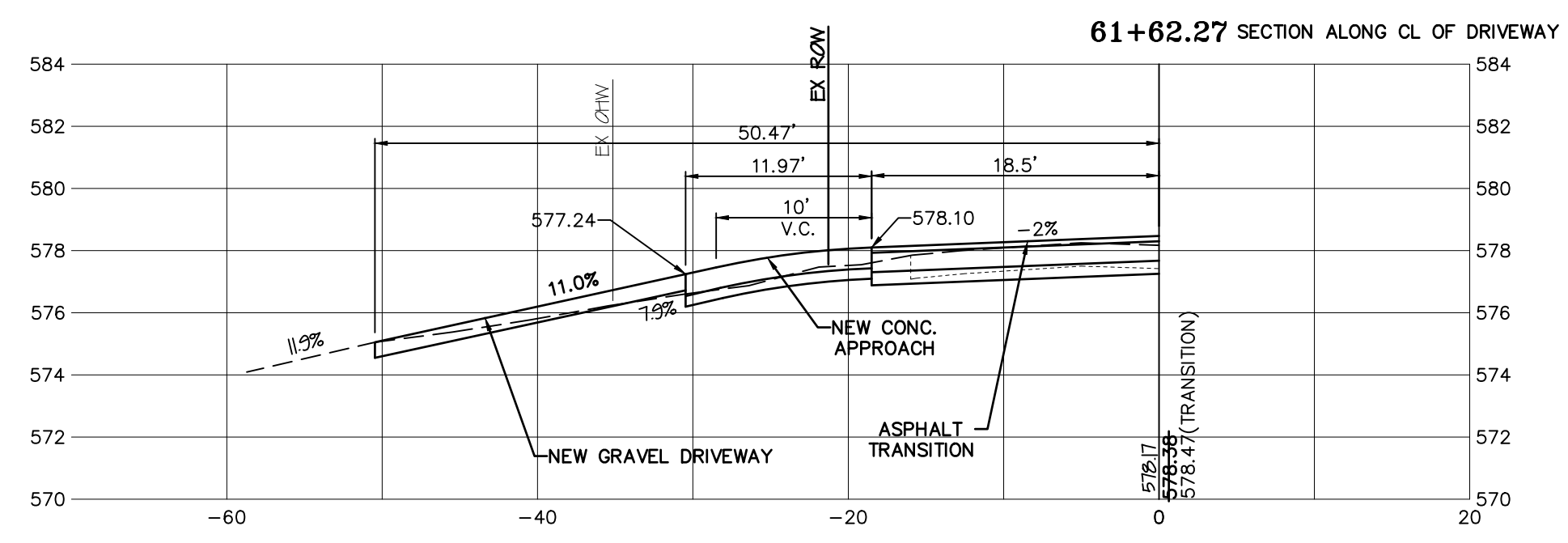
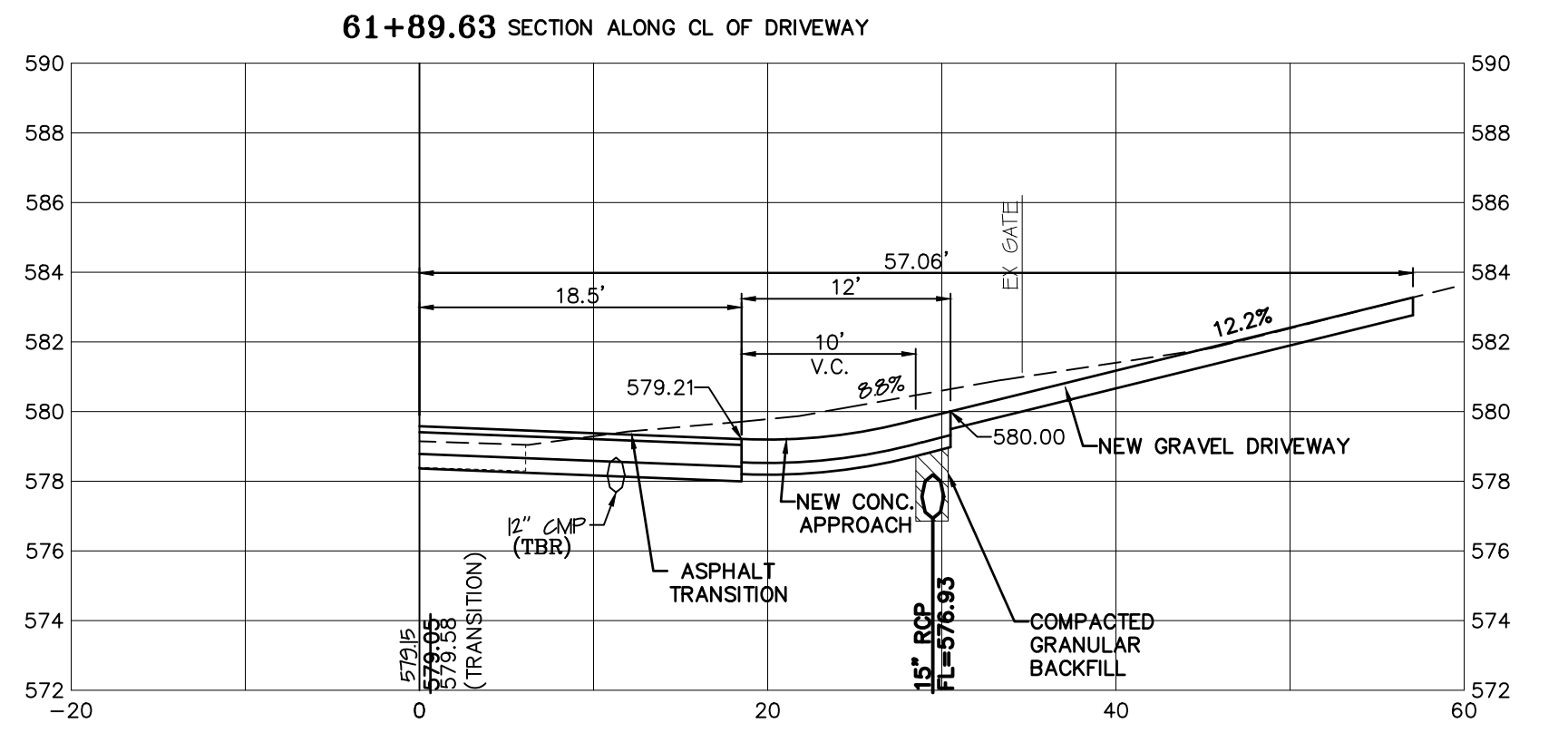
OUT=36.97 C.Y.
FILL=62.63 C.Y.



OUT=105.48 C.Y.
FILL=25.41 C.Y.



OUT=73.91 C.Y.
FILL=9.82 C.Y.



SCALE:
HORIZ.: 1"=10'
VERT.: 1"=5'

BAX ENGINEERING CO., INC.
221 Point West Blvd.
St. Charles, MO 63301
Phone: 636-928-5552
Fax: 636-928-1718



GUTHRIE ROAD IMPROVEMENTS
BURNING BROOK DR. TO BLUFF BROOK DR.
O'FALLON, ST. CHARLES COUNTY, MO, 63366

CITY OF O'FALLON
100 N. MAIN STREET
O'FALLON, MO, 63366
636-240-2000

REVISIONS

DATE	DESCRIPTION
01/03/20	REVISED PER CITY COMMENTS
03/06/20	PRELIMINARY PLAN SUBMITTAL
11/21/22	PRE-FINAL PLAN SUBMITTAL
01/20/23	FINAL PLAN SUBMITTAL
01/26/23	FINAL PLANS - BID SET

DISCLAIMER OF RESPONSIBILITY
I hereby disclaim any responsibility for all other drawings, specifications, estimates, reports or other documents or instruments relating to or intended to be used for any part or parts of the architectural or engineering project or survey other than those authenticated by my seal.



Scott O. Kolkmeier
Civil Engineer
MO 024744

CROSS SECTIONS
SHEET
29 OF 49

PROJECT NO.: 19-17665 DATE: 04/22/2021

PROJECT NAME:
GUTHRIE ROAD IMPROVEMENTS
BURNING BROOK DR. TO BLUFF BROOK DR.
O'FALLON, ST. CHARLES COUNTY, MO, 63366

PREPARED FOR:
CITY OF O'FALLON
100 N. MAIN STREET
O'FALLON, MO, 63366
636-240-2000

REVISIONS

DATE	DESCRIPTION
01/03/20	REVISED PER CITY COMMENTS
03/06/20	PRELIMINARY PLAN SUBMITTAL
11/21/22	PRE-FINAL PLAN SUBMITTAL
01/20/23	FINAL PLAN SUBMITTAL
01/26/23	FINAL PLANS - BID SET

DISCLAIMER OF RESPONSIBILITY
I hereby disclaim any responsibility for all other drawings, specifications, estimates, reports or other documents or instruments relating to or intended to be used for any part or parts of the architectural or engineering project or survey other than those authenticated by my seal.



Scott O. Kolkmeier
Civil Engineer
MO 024744

CROSS SECTIONS
SHEET
29 OF 49