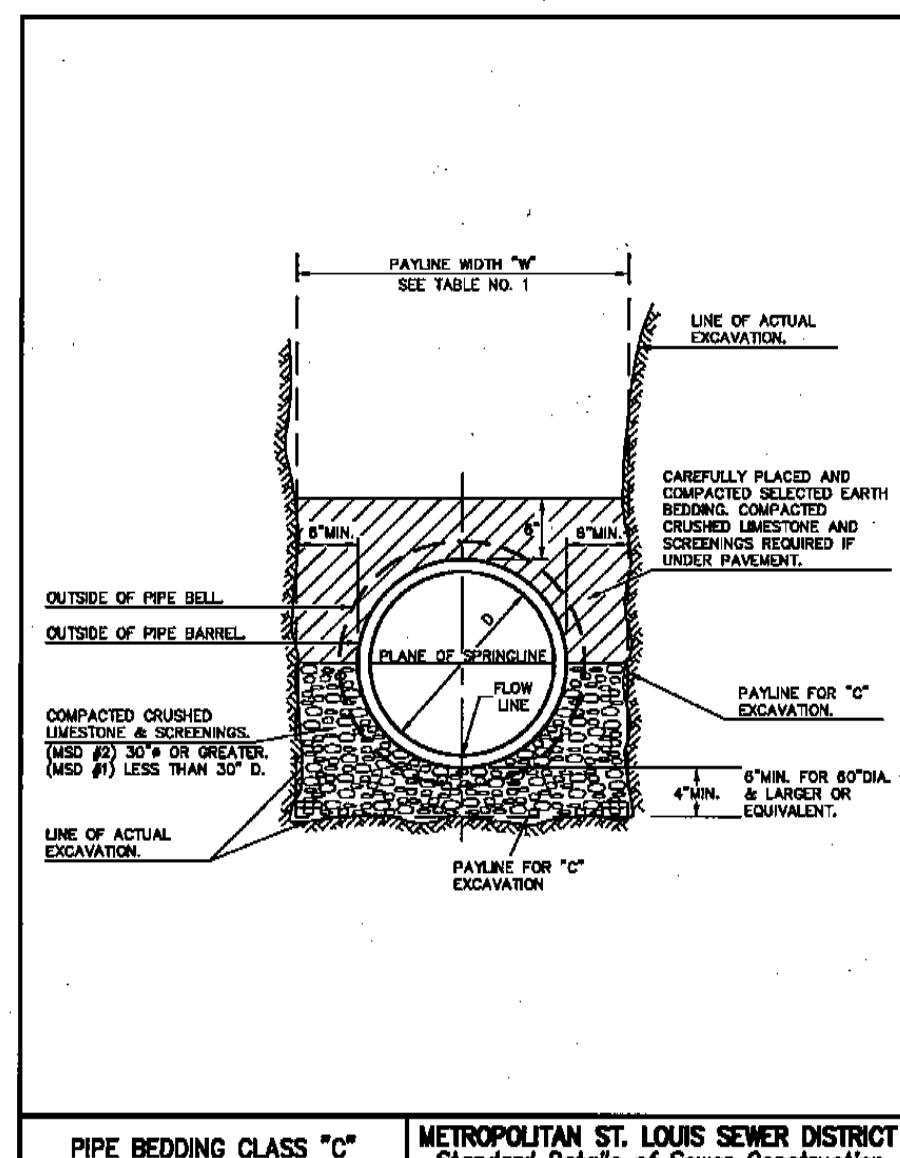


ROUND PIPE				HORIZONTAL ELLIPTICAL PIPE			
INSIDE DIAMETER OF PIPE (INCHES)	"W" PAYLINE WIDTH OF TRENCH (INCHES)	"H" PAYLINE WIDTH OF TRENCH (FEET)	PAY-VOLUMES CU. FT. PER FT. OF PIPE CONCRETE ENCASUREMENT	INSIDE DIMENSIONS OF PIPE (INCHES)	"W" PAYLINE WIDTH OF TRENCH (INCHES)	"H" PAYLINE WIDTH OF TRENCH (FEET)	PAY-VOLUMES CU. FT. PER FT. OF PIPE CONCRETE ENCASUREMENT
4	30	2.50	3.28				
6	30	2.50	3.59				
8	30	2.50	3.97				
10	30	2.50	4.59				
12	30	2.50	4.25				
15	36	3.00	5.50				
18	36	3.00	5.77	14 x 23	41	3.42	5.94
21	39	3.25	6.81				
24	42	3.50	7.39	19 x 30	49	4.08	7.68
27	45	3.75	8.19	22 x 34	53	4.42	8.61
30	48	4.00	9.30	24 x 38	58	4.83	9.70
33	51	4.25	10.53	27 x 42	62	5.17	10.71
36	54	4.50	11.43	29 x 45	66	5.50	11.72
DISCONTINUED							
39				32 x 49	71	5.92	12.14
42	63	5.25	13.38	34 x 53	75	6.25	14.05
48	70	5.83	15.67	38 x 60	83	6.92	16.18
54	77	6.42	18.15	43 x 68	92	7.67	18.81
60	84	7.00	20.73	48 x 76	101	8.42	21.59
66	91	7.58	23.45	53 x 83	109	9.08	24.32
72	98	8.17	26.37	58 x 91	118	9.83	27.48
78	105	8.75	29.39	63 x 98	126	10.50	30.50
84	112	9.33	32.57	68 x 108	135	11.25	33.91
90	119	9.92	35.90	72 x 113	143	11.92	36.99
96	126	10.50	39.37	77 x 121	152	12.67	40.69
102	133	11.08	42.99	82 x 128	160	13.33	44.45
108	140	11.67	46.75	87 x 136	168	14.00	47.79
114	147	12.25	50.66	92 x 143	176	14.67	51.70
120	154	12.83	54.72	97 x 151	185	15.42	56.01
126	161	13.42	58.92				
132	168	14.00	63.27	106 x 166	202	16.83	64.48
144	182	15.17	72.40	116 x 180	218	18.17	73.59

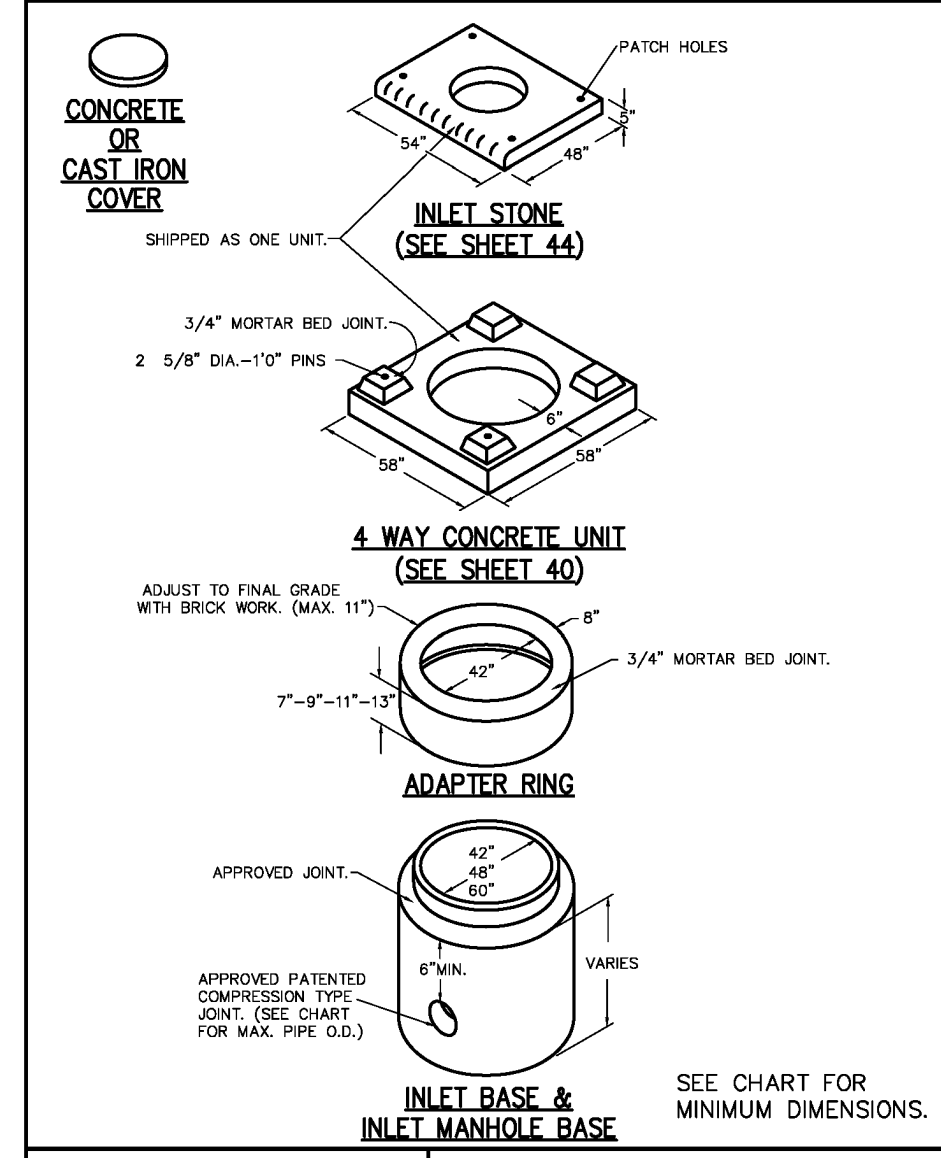
TABLE 1
PAYLINE WIDTHS OF TRENCH AND PAY-VOLUMES OF CONCRETE

METROPOLITAN ST. LOUIS SEWER DISTRICT
Standard Details of Sewer Construction
Dr. B.S.S./SAM
Ch. J.C.K. 2009 SHEET 1



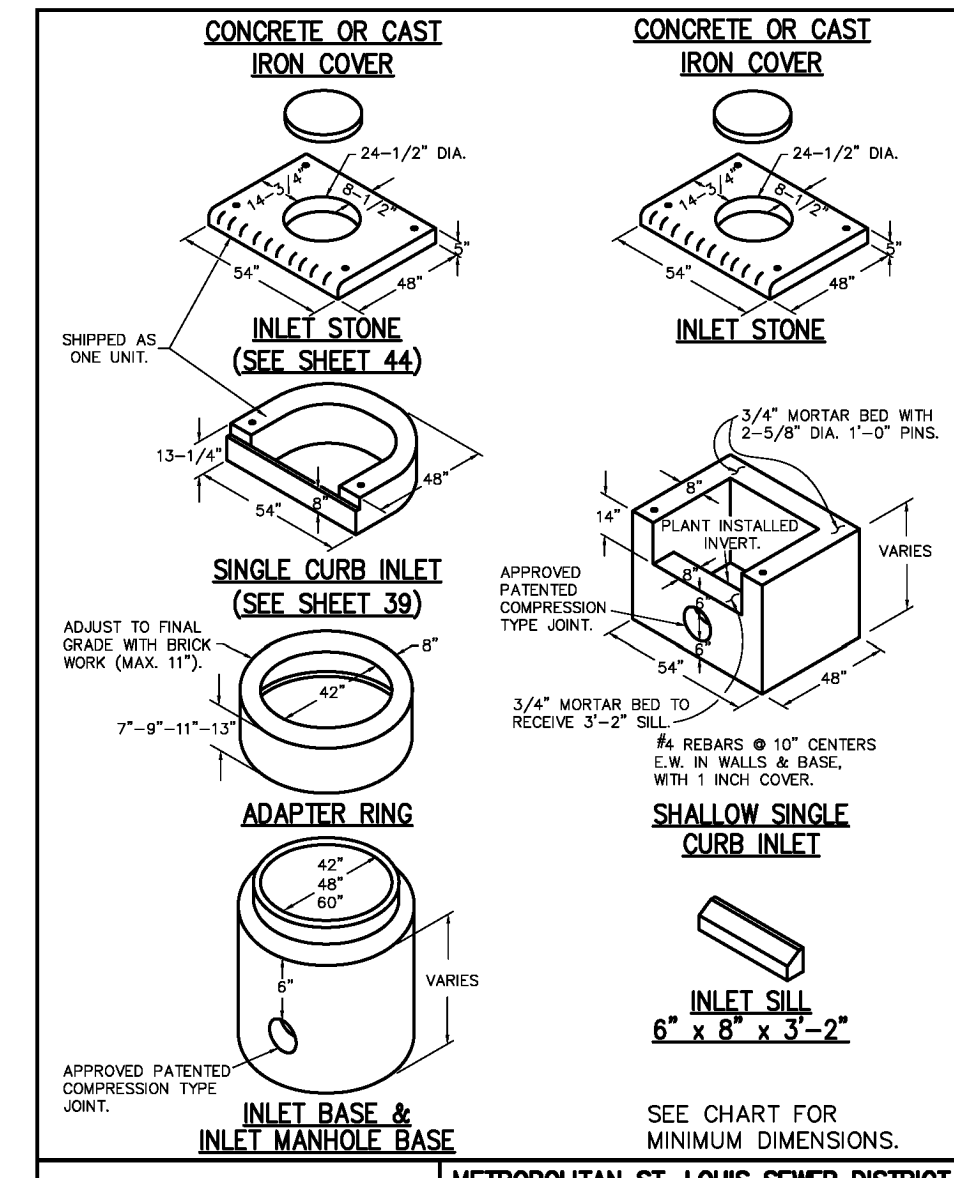
PIPE BEDDING CLASS "C"
(MODIFIED FOR REINFORCED CONCRETE PIPE)

METROPOLITAN ST. LOUIS SEWER DISTRICT
Standard Details of Sewer Construction
Dr. W.S.H./SAM
Ch. J.C.K. 2009 SHEET 5



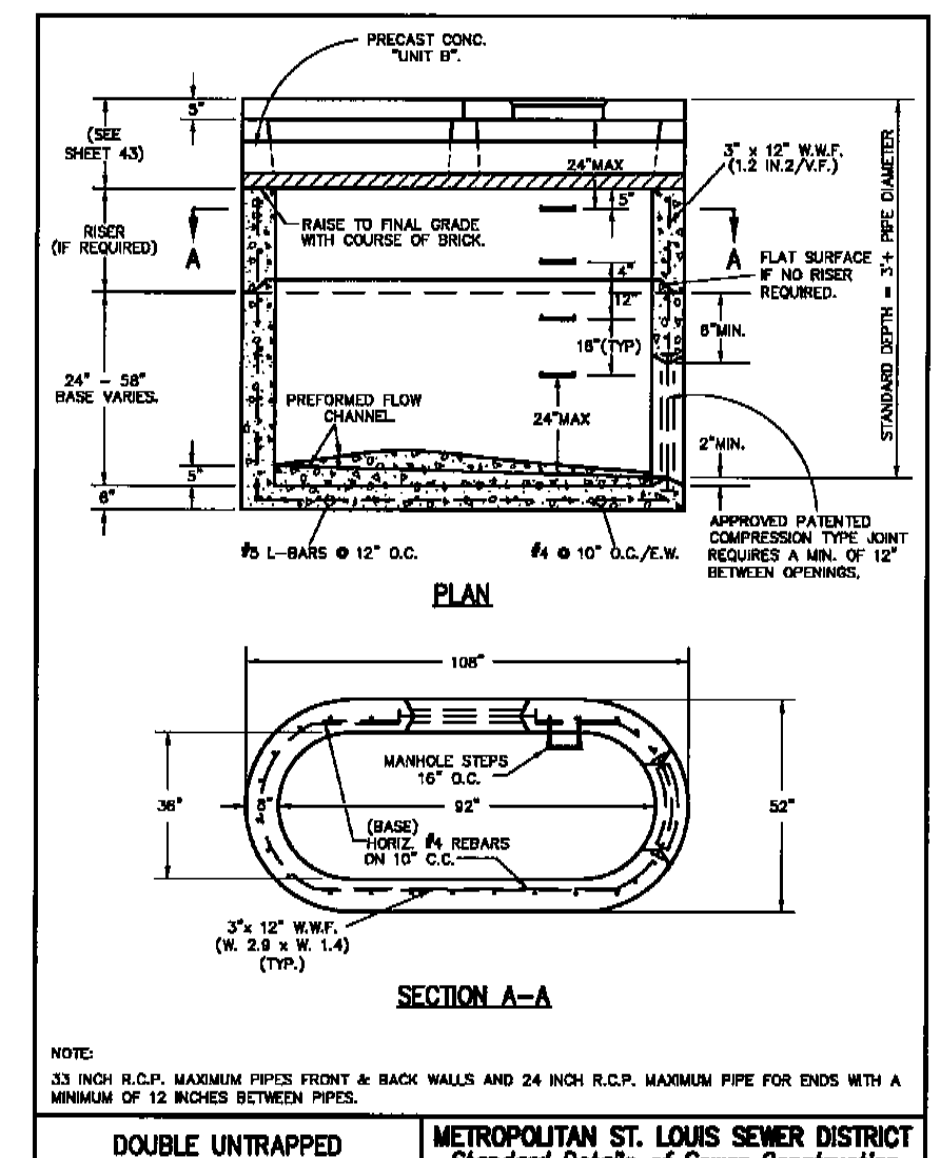
AREA INLET
PRECAST CONCRETE

METROPOLITAN ST. LOUIS SEWER DISTRICT
Standard Details of Sewer Construction
Dr. J.G./SAM
Ch. J.C.K. 2009 SHEET 34



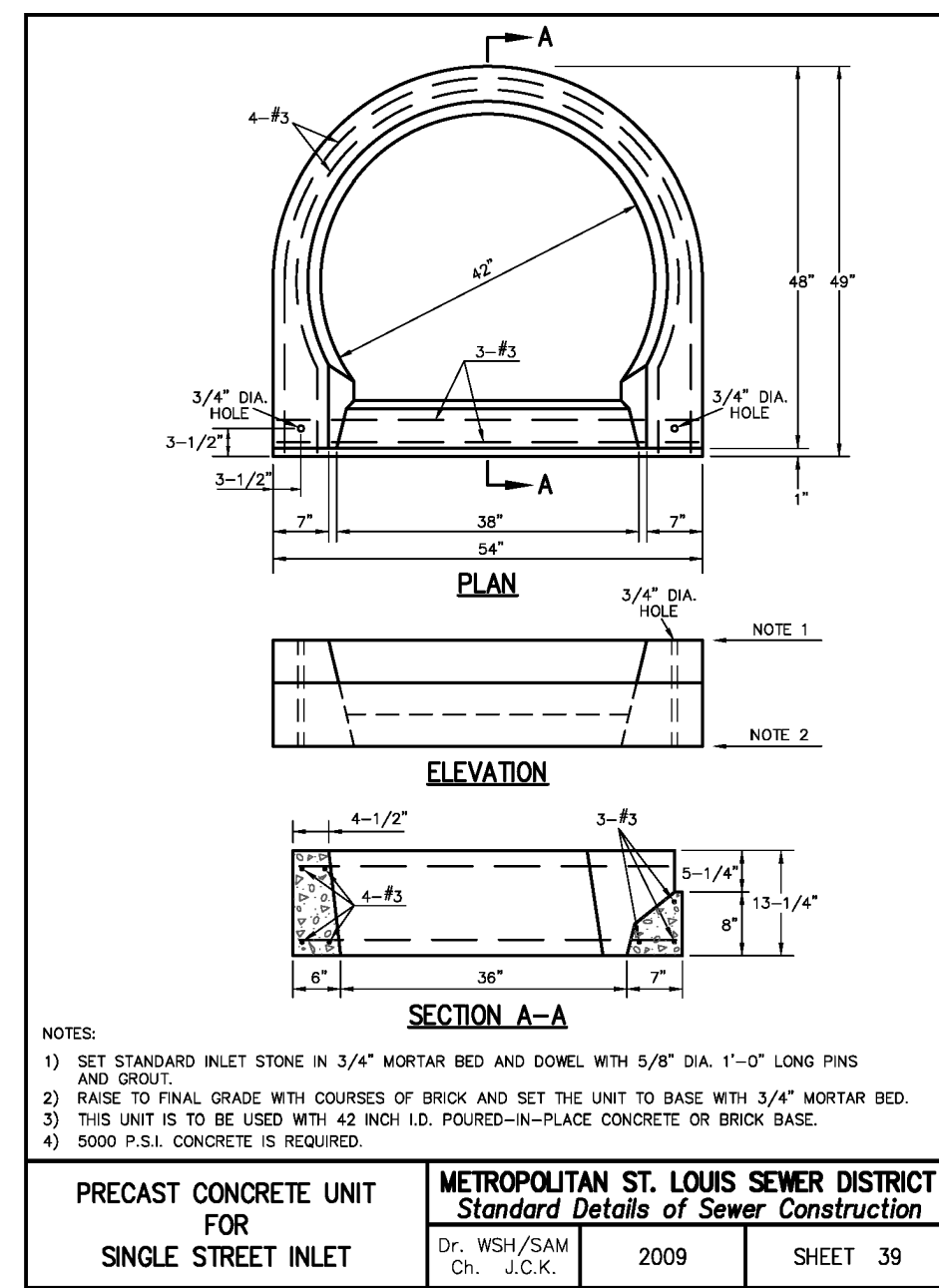
SINGLE STREET INLETS
PRECAST CONCRETE

METROPOLITAN ST. LOUIS SEWER DISTRICT
Standard Details of Sewer Construction
Dr. J.G./SAM
Ch. J.C.K. 2009 SHEET 36



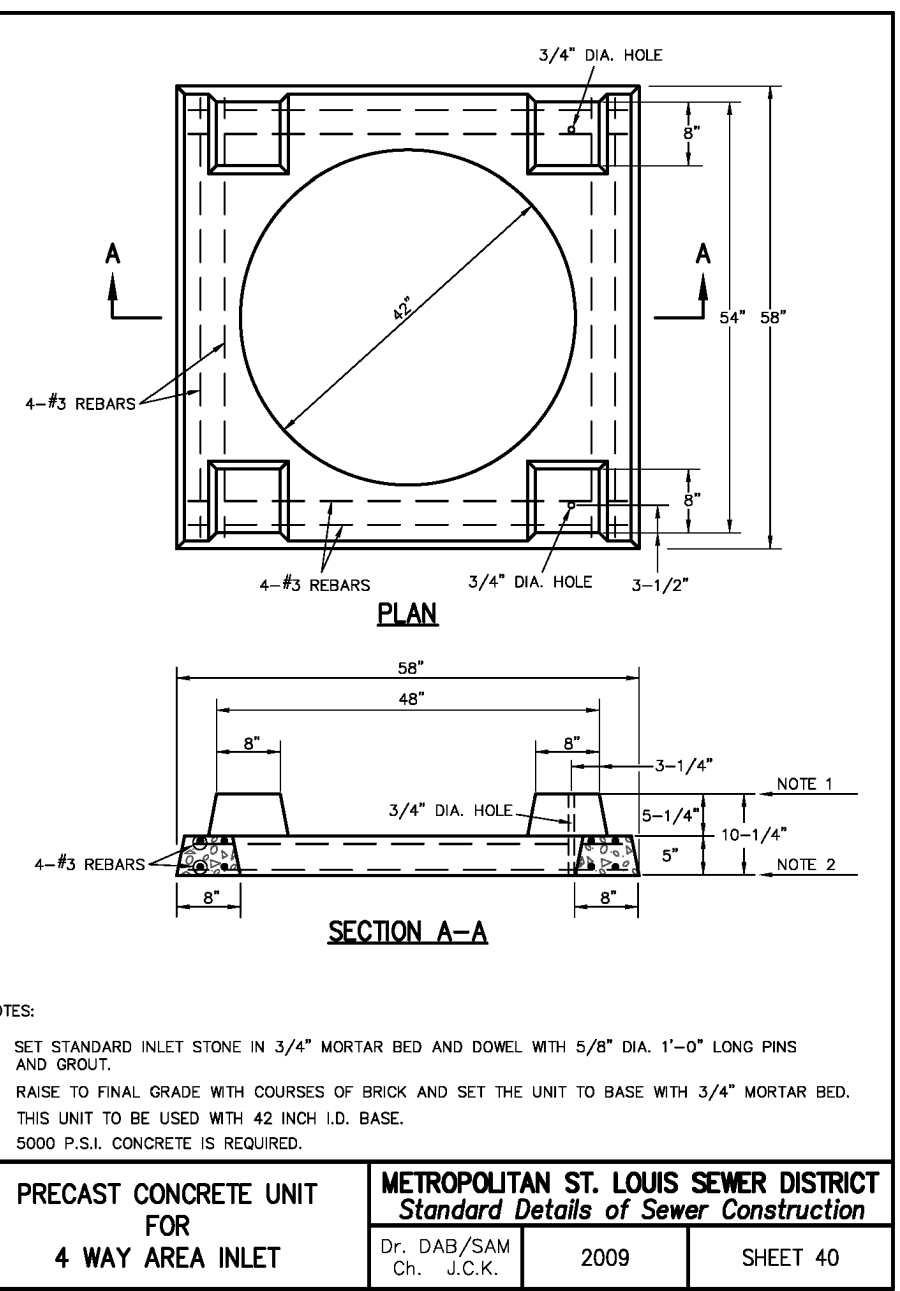
DOUBLE UNTRAPPED
STREET INLET
PRECAST CONCRETE

METROPOLITAN ST. LOUIS SEWER DISTRICT
Standard Details of Sewer Construction
Dr. J.G./SAM
Ch. J.C.K. 2009 SHEET 37



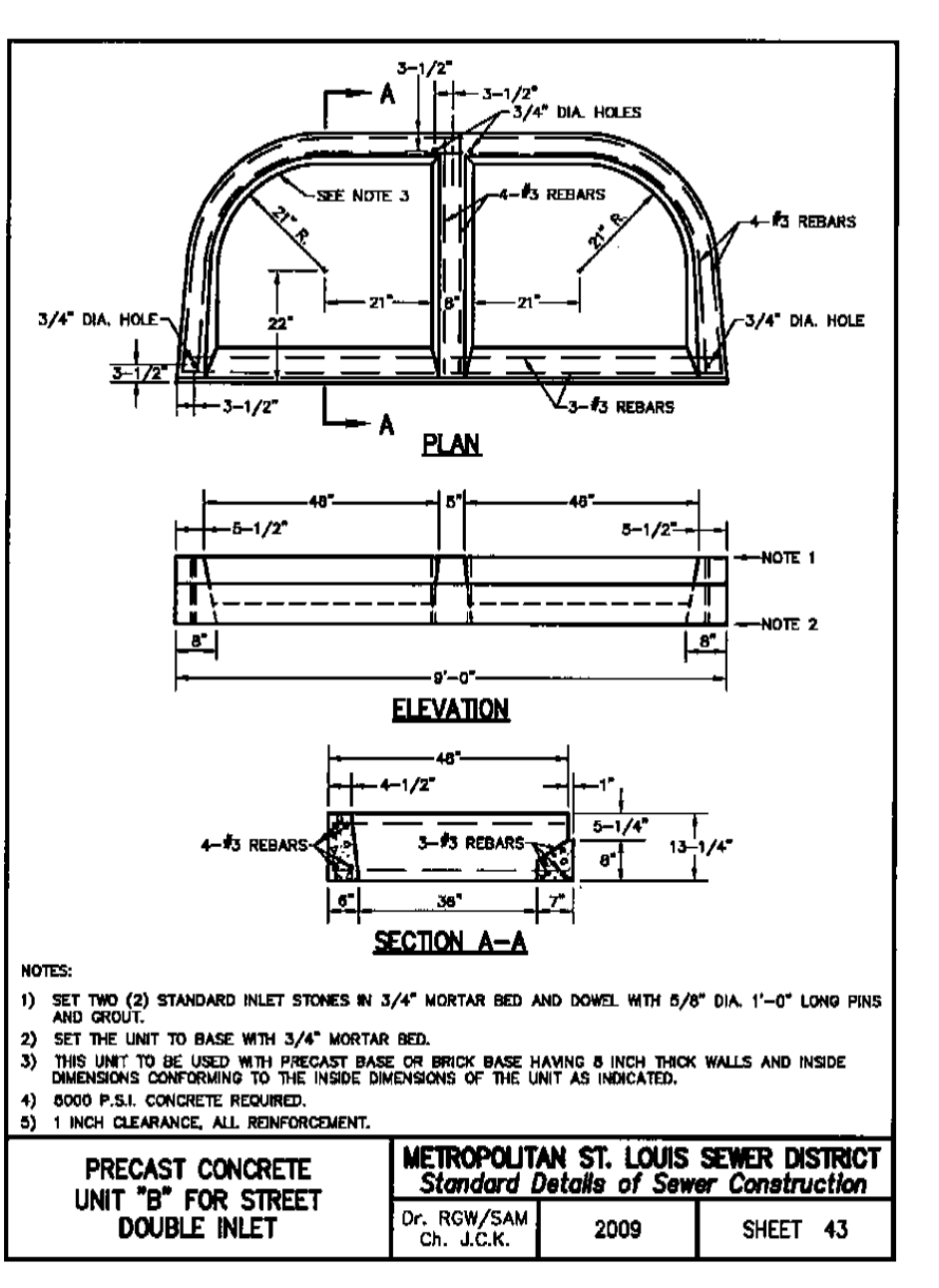
PRECAST CONCRETE UNIT
FOR
SINGLE STREET INLET

METROPOLITAN ST. LOUIS SEWER DISTRICT
Standard Details of Sewer Construction
Dr. W.S.H./SAM
Ch. J.C.K. 2009 SHEET 39



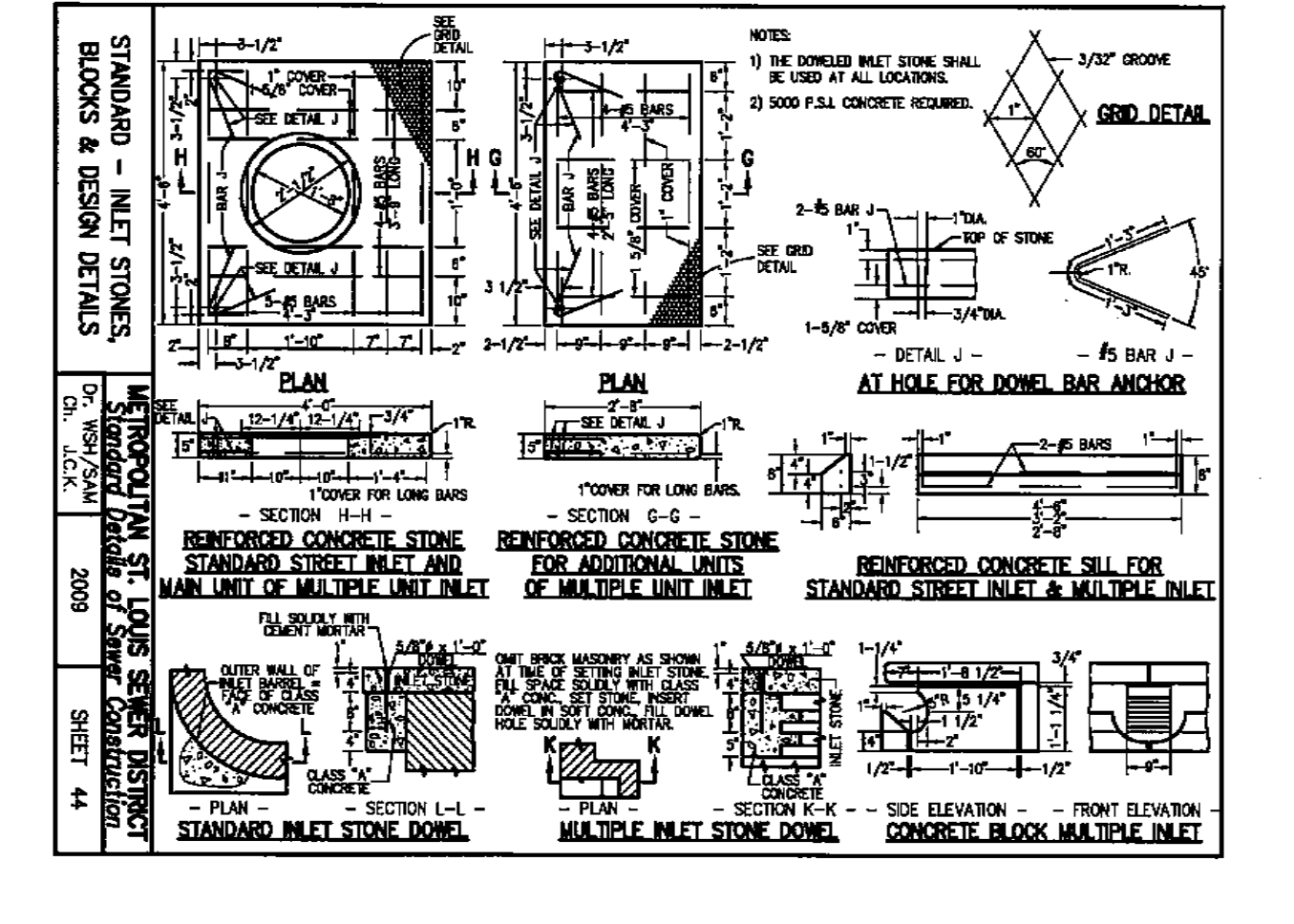
PRECAST CONCRETE UNIT
FOR
4 WAY AREA INLET

METROPOLITAN ST. LOUIS SEWER DISTRICT
Standard Details of Sewer Construction
Dr. DAB/SAM
Ch. J.C.K. 2009 SHEET 40



PRECAST CONCRETE
UNIT "B" FOR STREET
DOUBLE INLET

METROPOLITAN ST. LOUIS SEWER DISTRICT
Standard Details of Sewer Construction
Dr. ROY/SAM
Ch. J.C.K. 2009 SHEET 43



STANDARD INLET STONE
DOWEL

METROPOLITAN ST. LOUIS SEWER DISTRICT
Standard Details of Sewer Construction
Dr. J.C.K. 2009 SHEET 44

BAX ENGINEERING CO., INC.
221 Point West Blvd.
St. Charles, MO 63301
Phone: 636-928-5552
Fax: 636-928-1718

GUTHRIE ROAD IMPROVEMENTS
BURNING BROOK DR. TO BLUFF BROOK DR.
O'FALLON, ST. CHARLES COUNTY, MO, 63366

CITY OF O'FALLON
100 N. MAIN STREET
O'FALLON, MO, 63366
636-240-2000

REVISIONS

DATE	DESCRIPTION
01/03/20	REVISED PER CITY COMMENTS
03/06/20	PRELIMINARY PLAN SUBMITTAL
11/21/22	PRE-FINAL PLAN SUBMITTAL
01/20/23	FINAL PLAN SUBMITTAL
01/26/23	FINAL PLANS - BID SET