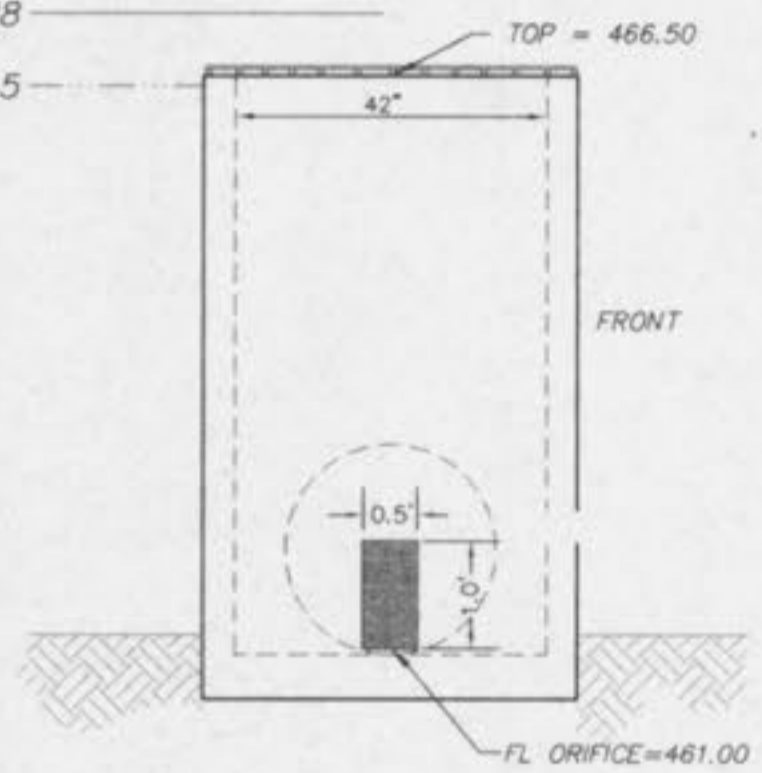
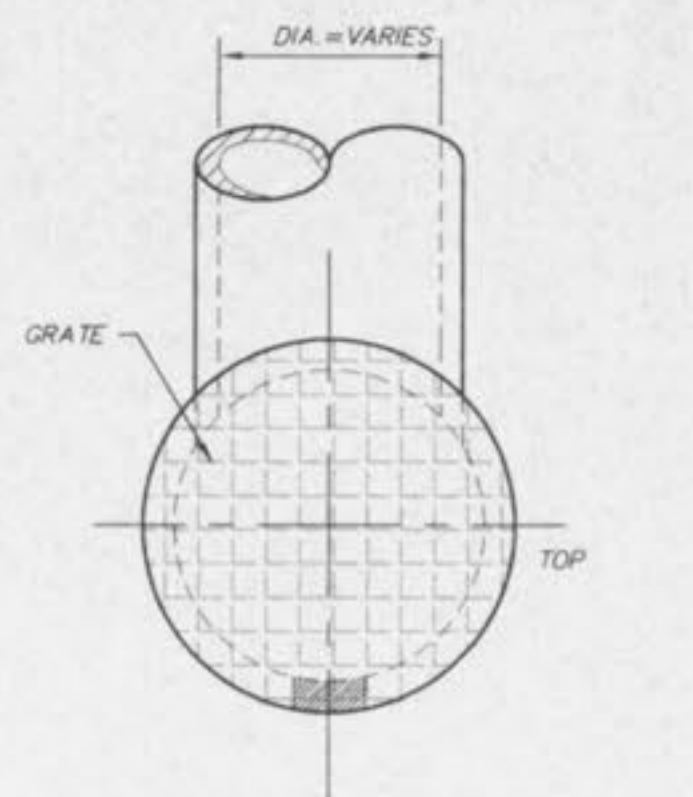


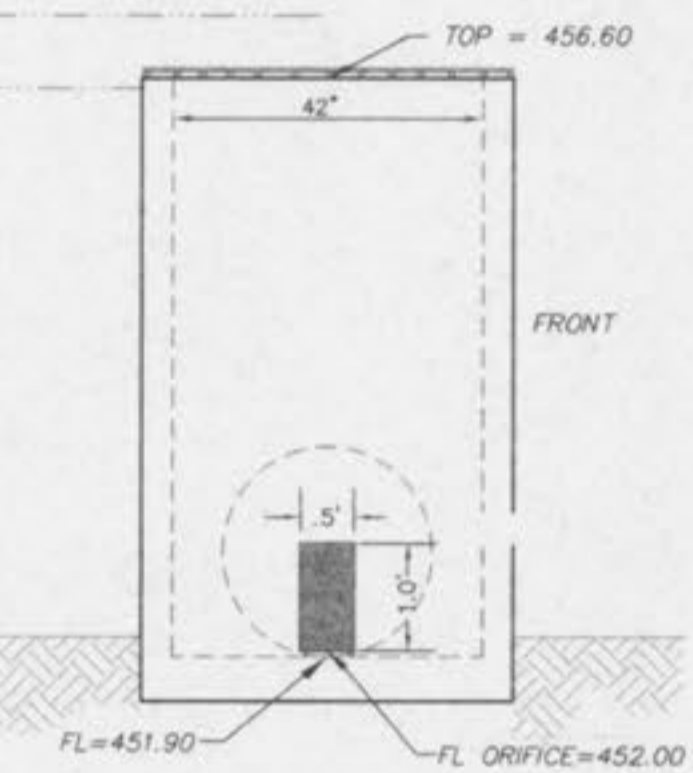
TOP OF DAM = 468.00  
100YR. H.W. = 466.88  
25YR. H.W. = 466.45



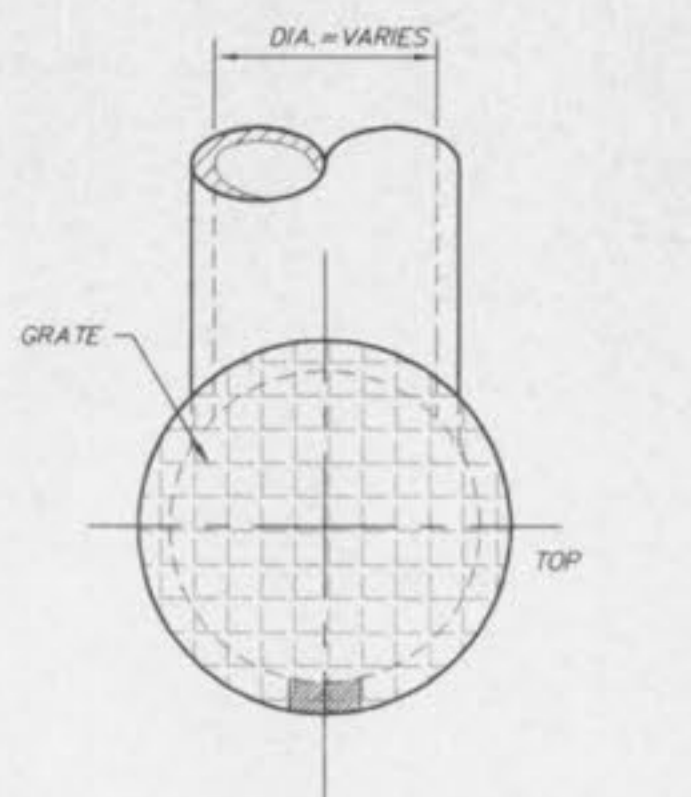
VILLAGE A  
SOUTHWEST  
DETENTION BASIN  
OUTFALL STRUCTURE  
A-7  
42" DIA. CONCRETE STANDPIPE  
STRUCTURE W/GRATE AND ANTI-  
VORTEX PLATE ON SILL  
NOT TO SCALE



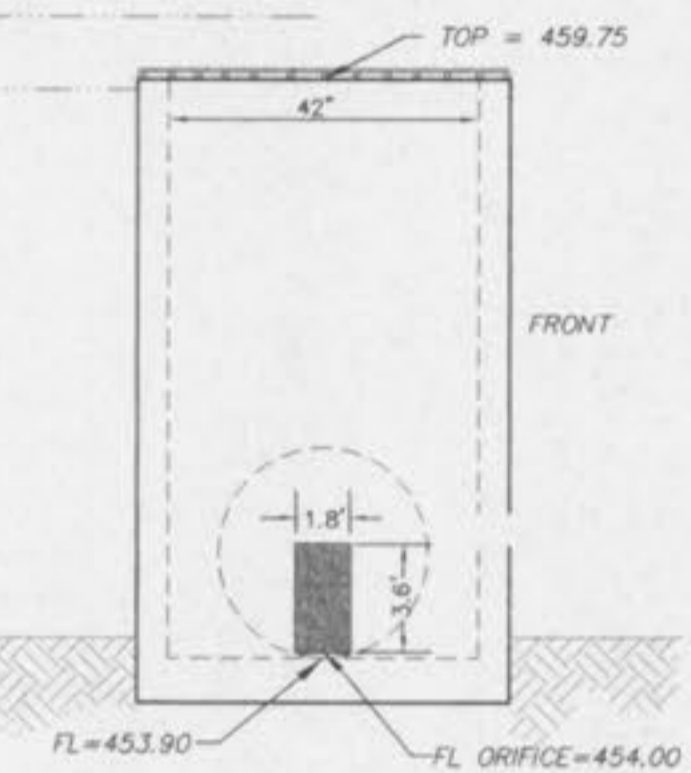
TOP OF DAM = 458.00  
100YR. H.W. = 457.00  
25YR. H.W. = 456.59



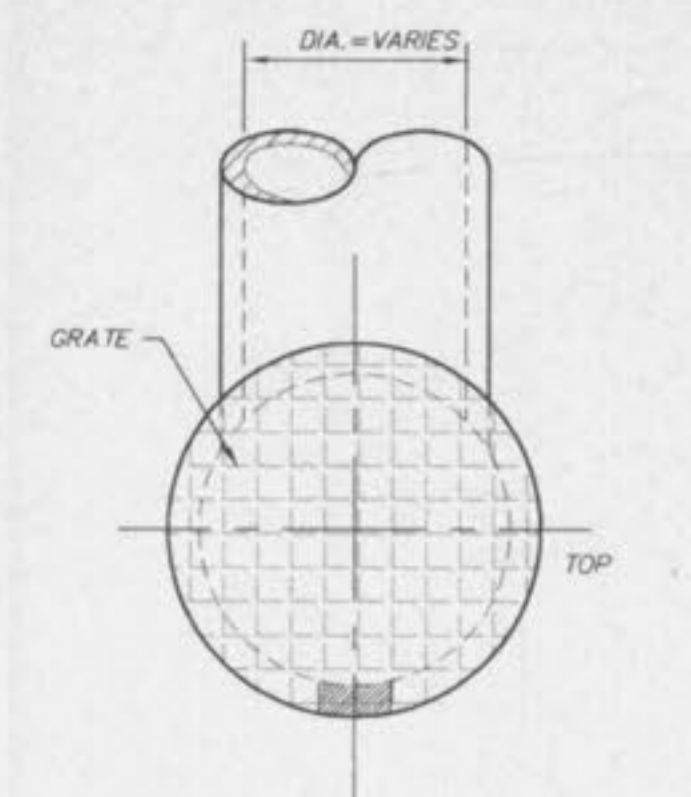
VILLAGE B  
NORTH  
DETENTION BASIN  
OUTFALL STRUCTURE  
N-2  
42" DIA. CONCRETE STANDPIPE  
STRUCTURE W/GRATE AND ANTI-  
VORTEX PLATE ON SILL  
NOT TO SCALE



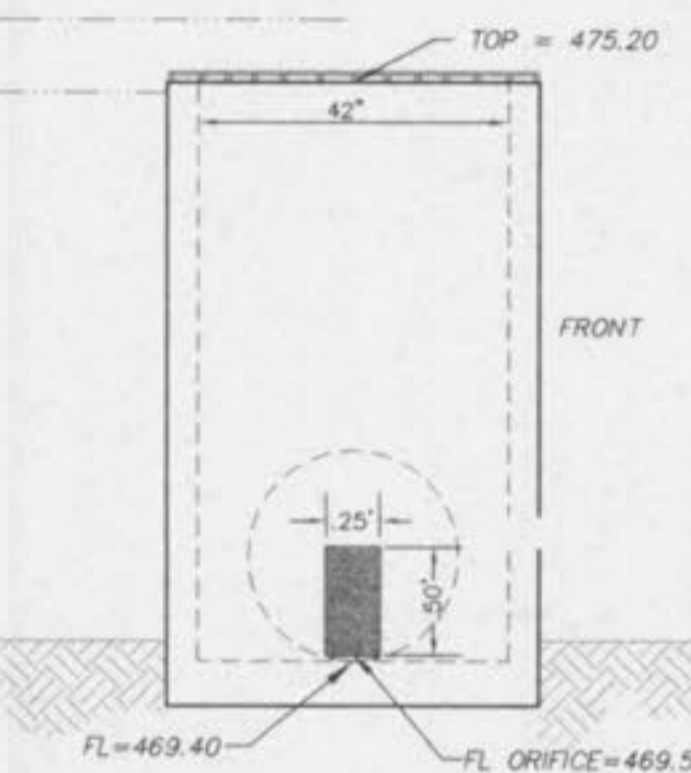
TOP OF DAM = 462.00  
100YR. H.W. = 460.52  
25YR. H.W. = 459.71



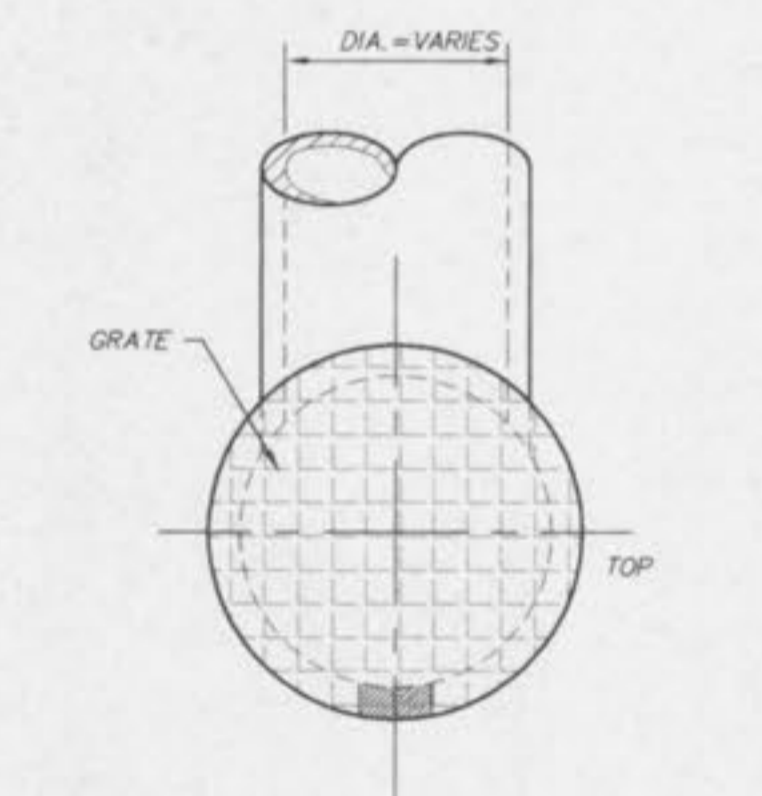
VILLAGE B  
CENTRAL  
DETENTION BASIN  
OUTFALL STRUCTURE  
CN-2  
42" DIA. CONCRETE STANDPIPE  
STRUCTURE W/GRATE AND ANTI-  
VORTEX PLATE ON SILL  
NOT TO SCALE



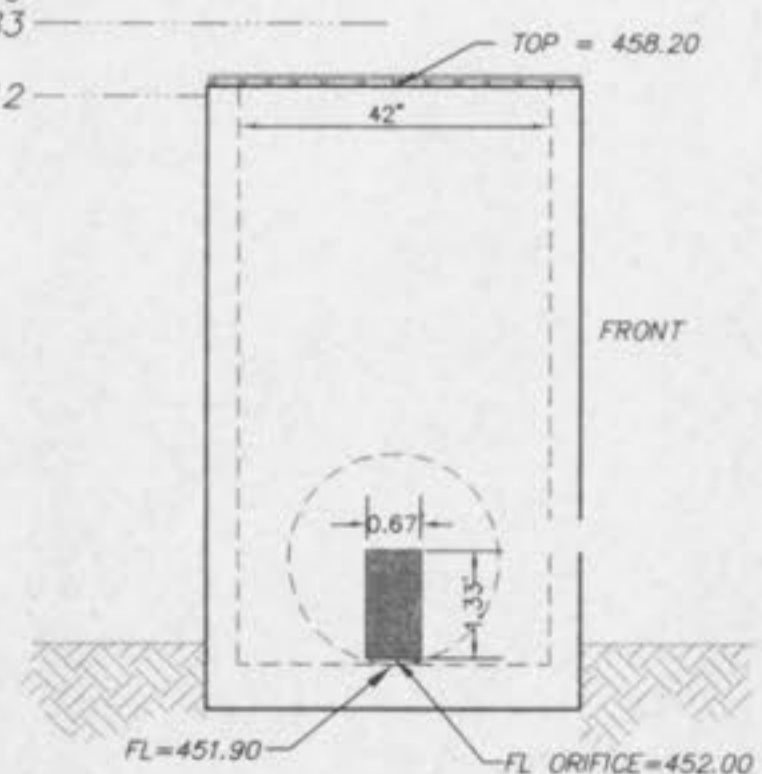
TOP OF DAM = 477.00  
100YR. H.W. = 475.84  
25YR. H.W. = 475.15



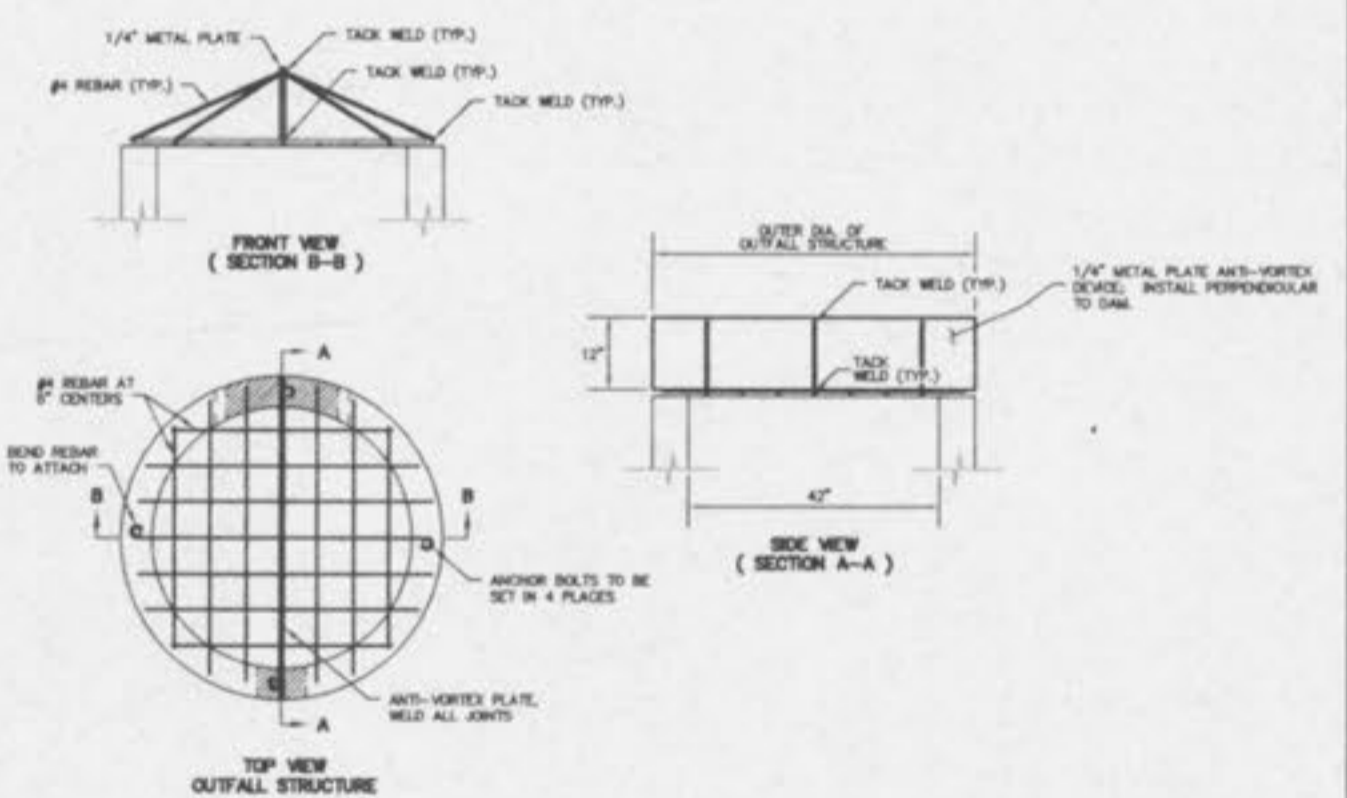
VILLAGE B  
SOUTHEAST  
DETENTION BASIN  
OUTFALL STRUCTURE  
B-59  
42" DIA. CONCRETE STANDPIPE  
STRUCTURE W/GRATE AND ANTI-  
VORTEX PLATE ON SILL  
NOT TO SCALE



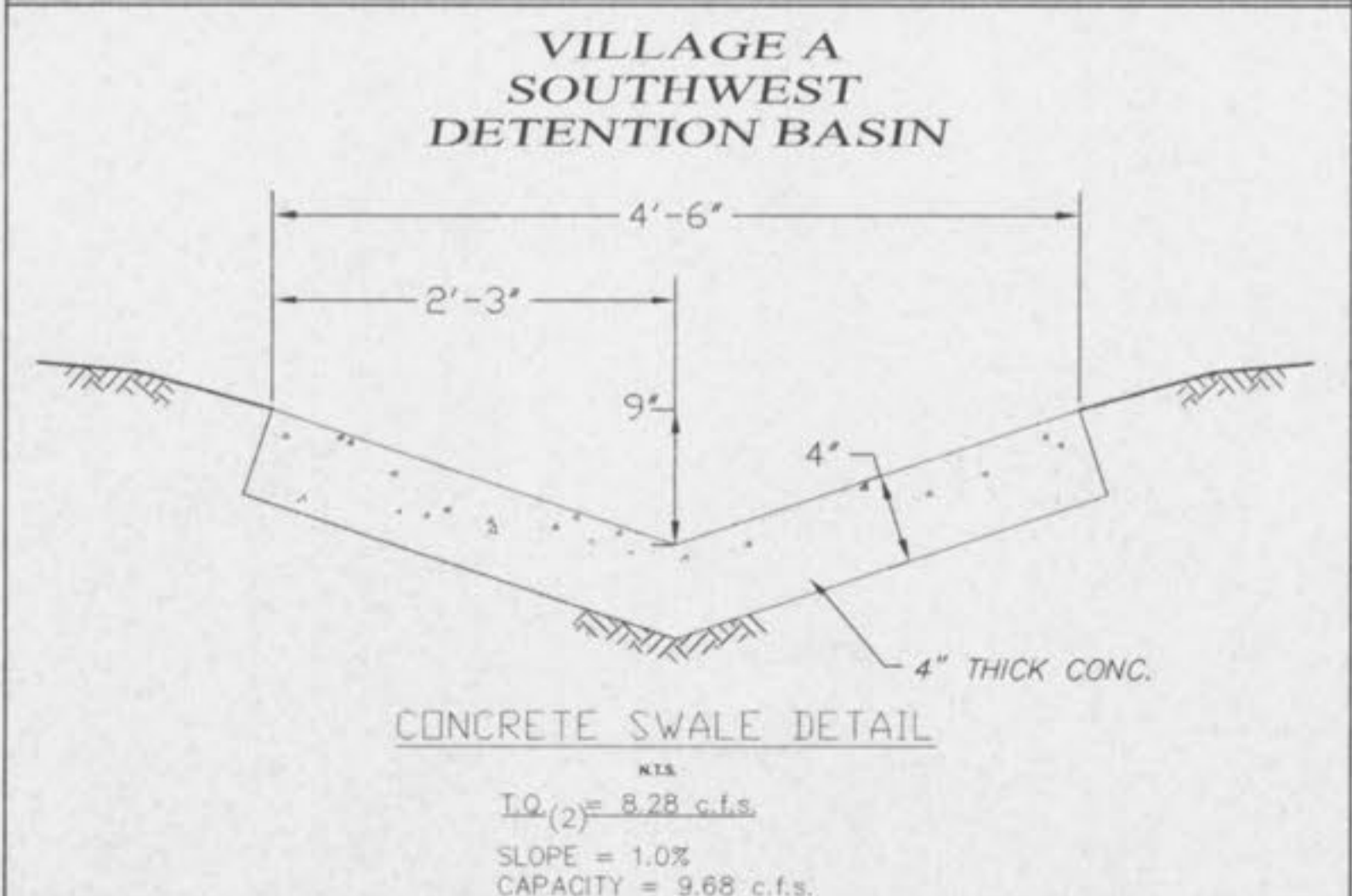
TOP OF DAM = 460.00  
100YR. H.W. = 458.83  
25YR. H.W. = 458.12



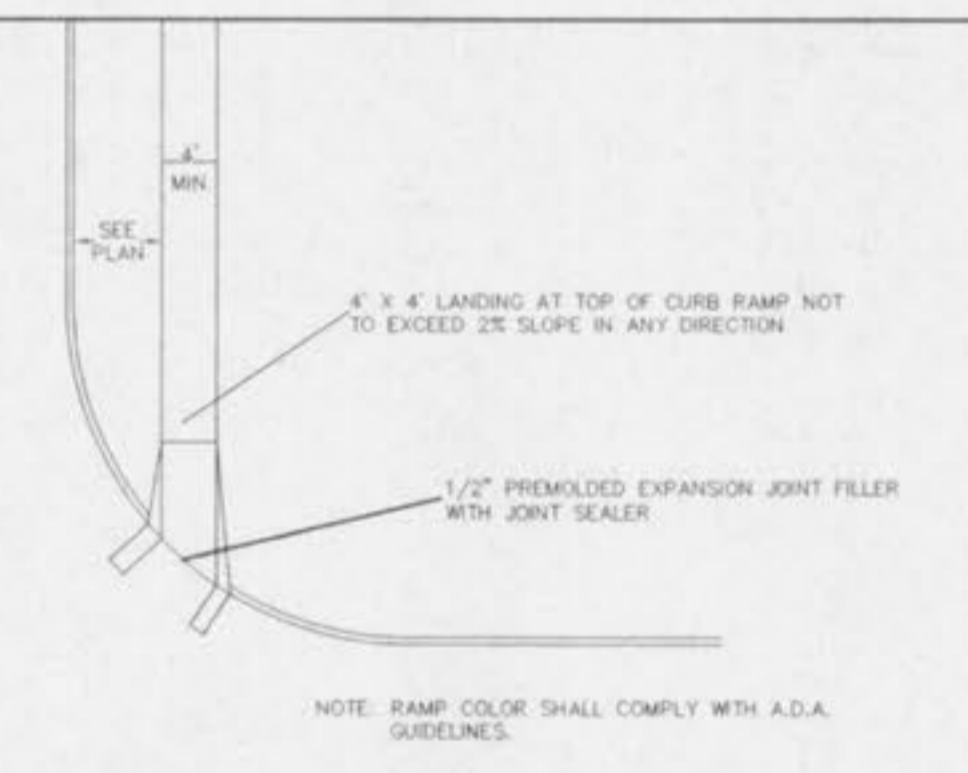
VILLAGE B  
WEST  
DETENTION BASIN  
OUTFALL STRUCTURE  
W-2  
42" DIA. CONCRETE STANDPIPE  
STRUCTURE W/GRATE AND ANTI-  
VORTEX PLATE ON SILL  
NOT TO SCALE



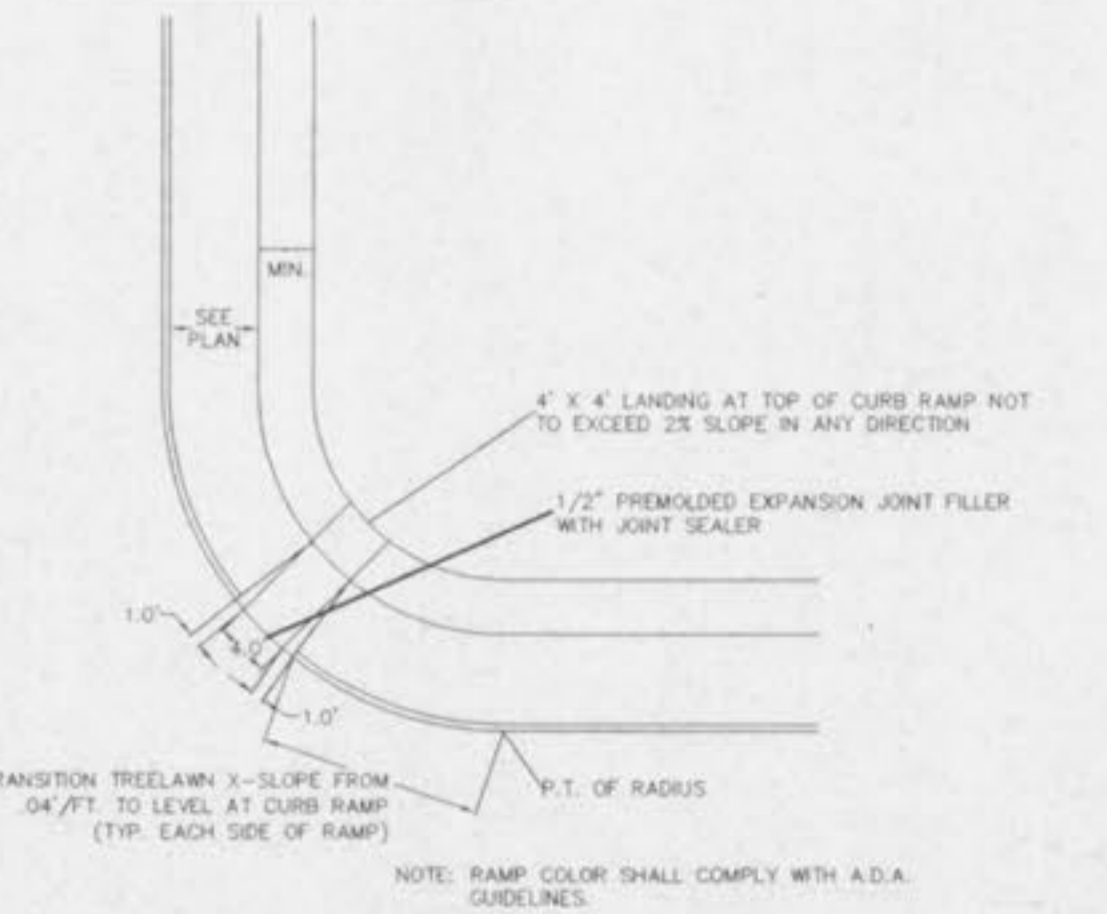
TRASH RACK &  
ANTI-VORTEX PLATE  
N.T.S.



VILLAGE A  
SOUTHWEST  
DETENTION BASIN  
CONCRETE SWALE DETAIL  
N.T.S.  
I.Q. (2) = 8.28 c.f.s.  
SLOPE = 1.0%  
CAPACITY = 9.68 c.f.s.

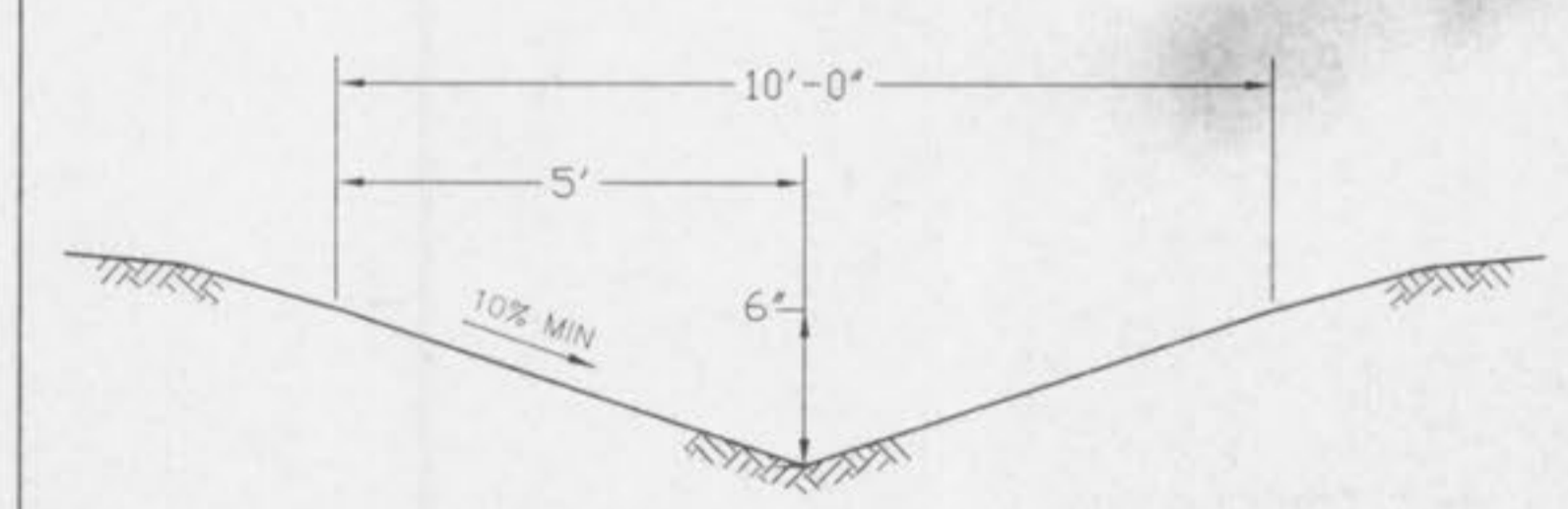


STRAIGHT CURB RAMP



DIAGONAL CURB RAMP

Sidewalks, Curb ramps, ramp and accessible parking spaces shall be constructed in accordance with the current approved "Americans with disabilities Act Accessibility Guidelines" (ADAAG) along with the required grades, construction materials, specifications and signage. If any conflict occurs between the above information and the plans the ADAAG guidelines shall take precedence and the contractor prior to any construction shall notify the Project Engineer.



SWALE AT 1% MIN. GRADE WITH A MAX "Q" OF 4 C.F.S.  
DEPTH = 0.42  
VELOCITY = 2.10 F.P.S.  
SWALE AT 10% MIN. GRADE WITH A MAX "Q" OF 4 C.F.S.  
DEPTH = 0.25  
VELOCITY = 5.05 F.P.S. N = 0.025

TYPICAL CROSS SEC.  
OF RELIEF SWALES  
N.T.S.

**PICKETT RAY & SILVER**  
CIVIL ENGINEERS  
PLANNERS  
LAND SURVEYORS  
333 Mid Rivers Mall Drive  
St. Peters, MO 63376  
Phone (836) 397-1211  
Fax (836) 397-1104

**HAMPTON WOODS**  
CONSTRUCTION DETAILS  
Prepared For:  
SUMMIT POINTE L.C.

REVISIONS	NO.	DATE	BY	REV.	PER
	1	07-31-02	REV.	PER	CITY OF FALLON
	2	08-16-02	REV.	PER	CITY OF FALLON
	3	08-26-02	REV.	PER	CITY OF FALLON

ENGINEERS AUTHENTICATION  
The responsibility for professional engineering liability on this project is hereby limited to the set of plans authenticated by the seal, signature, and date hereunder attached. Responsibility is disclaimed for all other engineering plans involved in this project and specifically excludes revisions after this date unless reauthenticated.



DRAWN	DATE
ABK	MAY, 2002
CHECKED	DATE
D.W.D.	MAY, 2002
PROJECT #	95067.SUPO.OOR
TASK #	4 FIELD BOOK 806

HAMPTON WOODS  
CONSTRUCTION DETAILS  
SHEET 11 OF 19  
© Copyright 2002 by Pickett, Ray & Silver Inc.