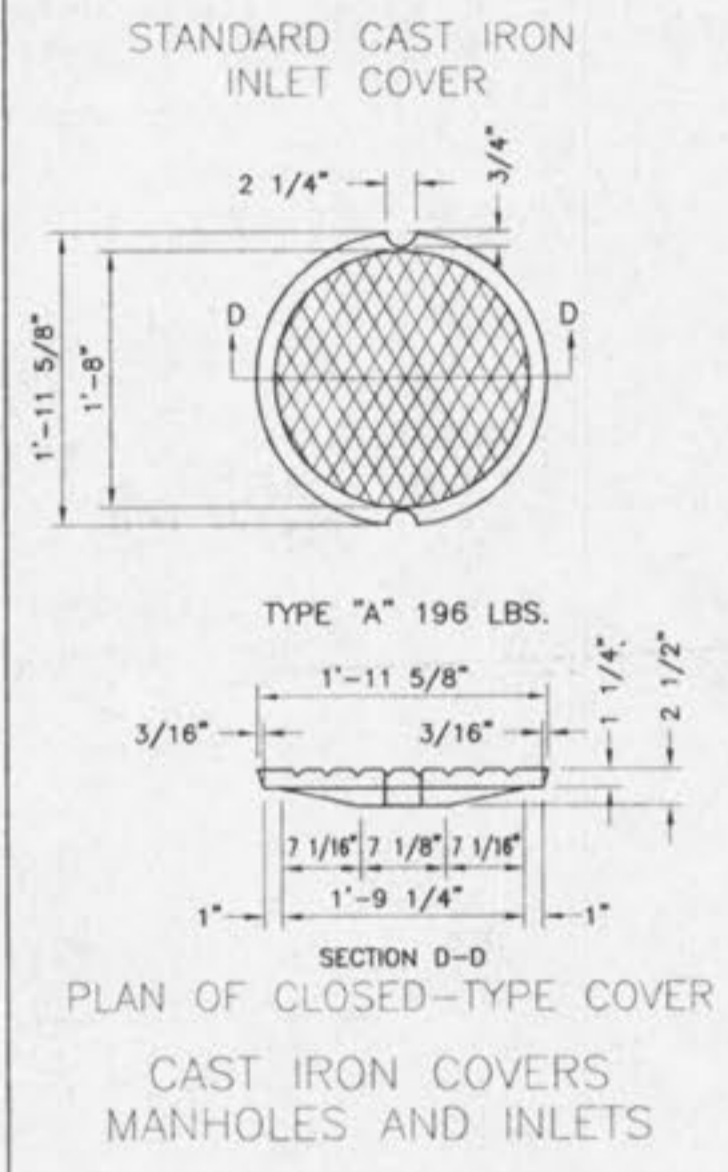
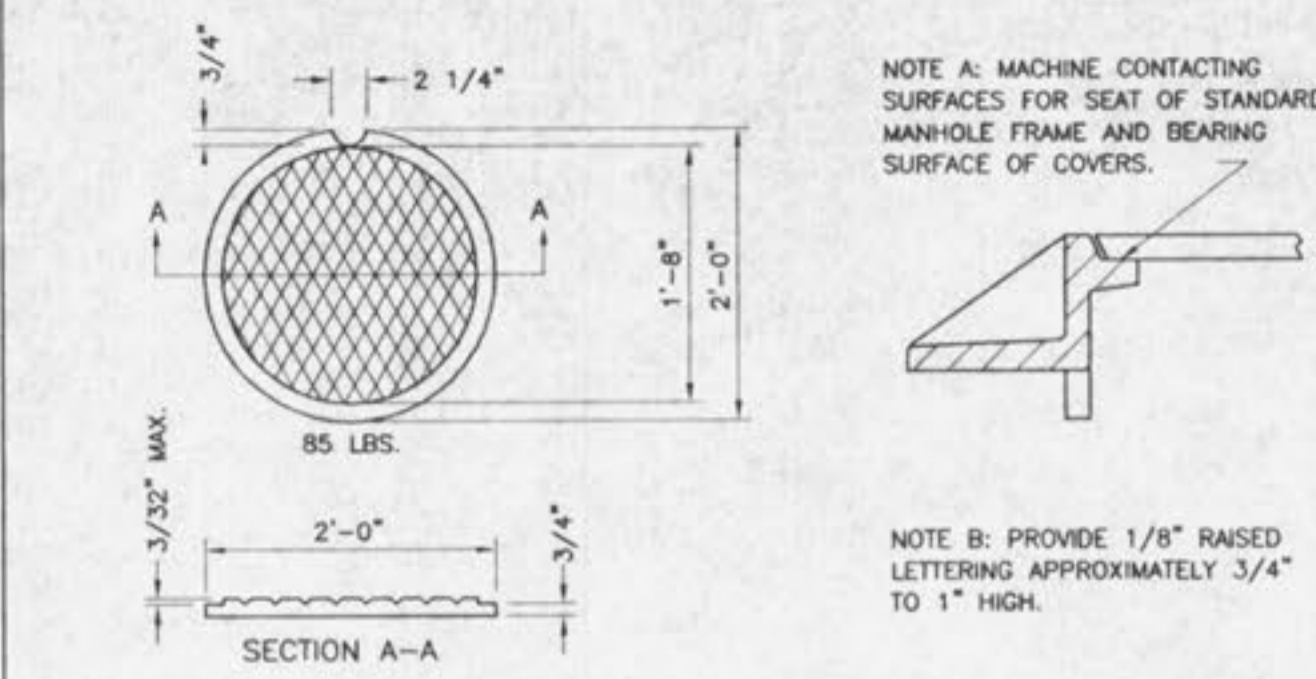


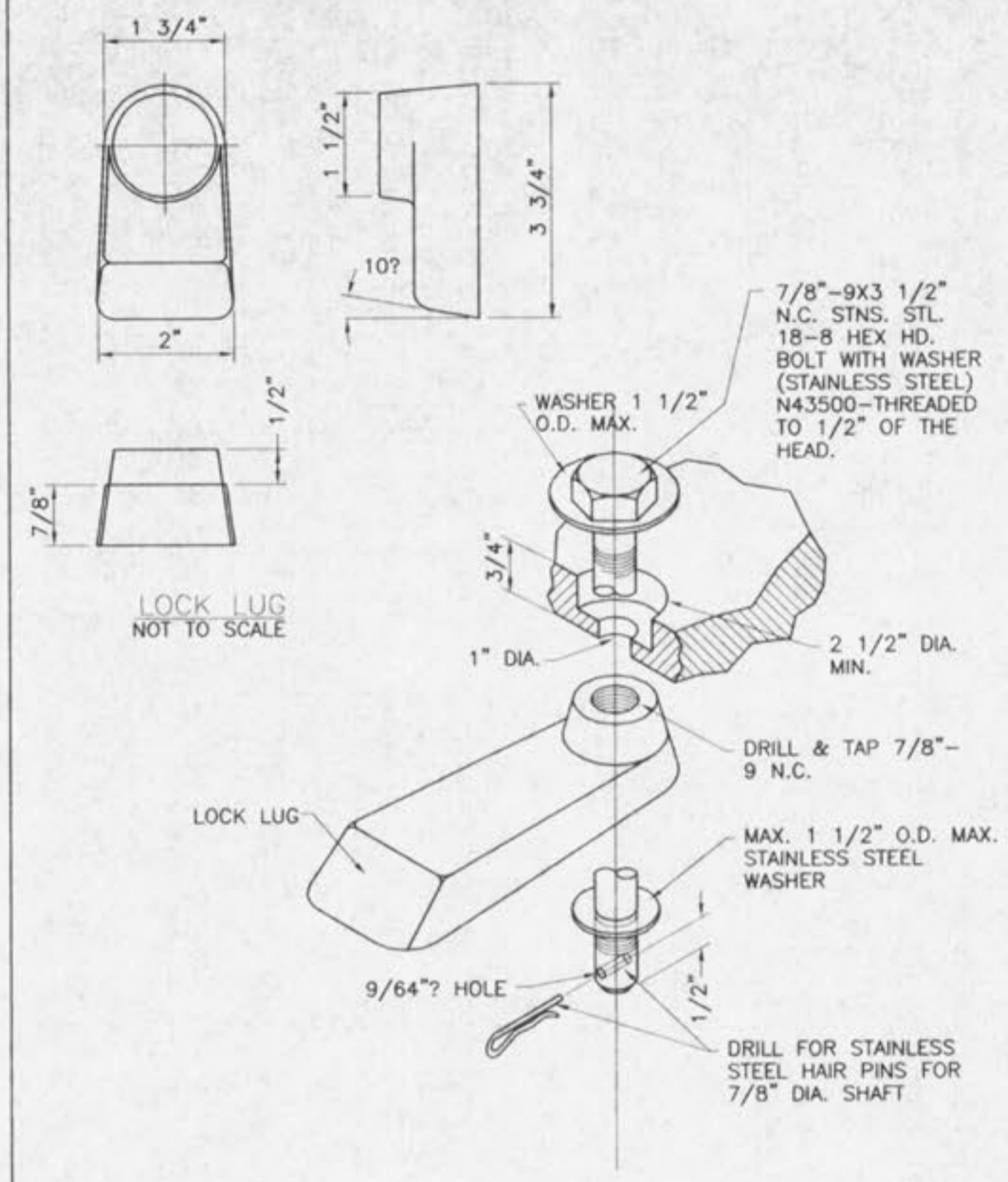
CAST IRON MANHOLE COVERS (LOCK TYPE)



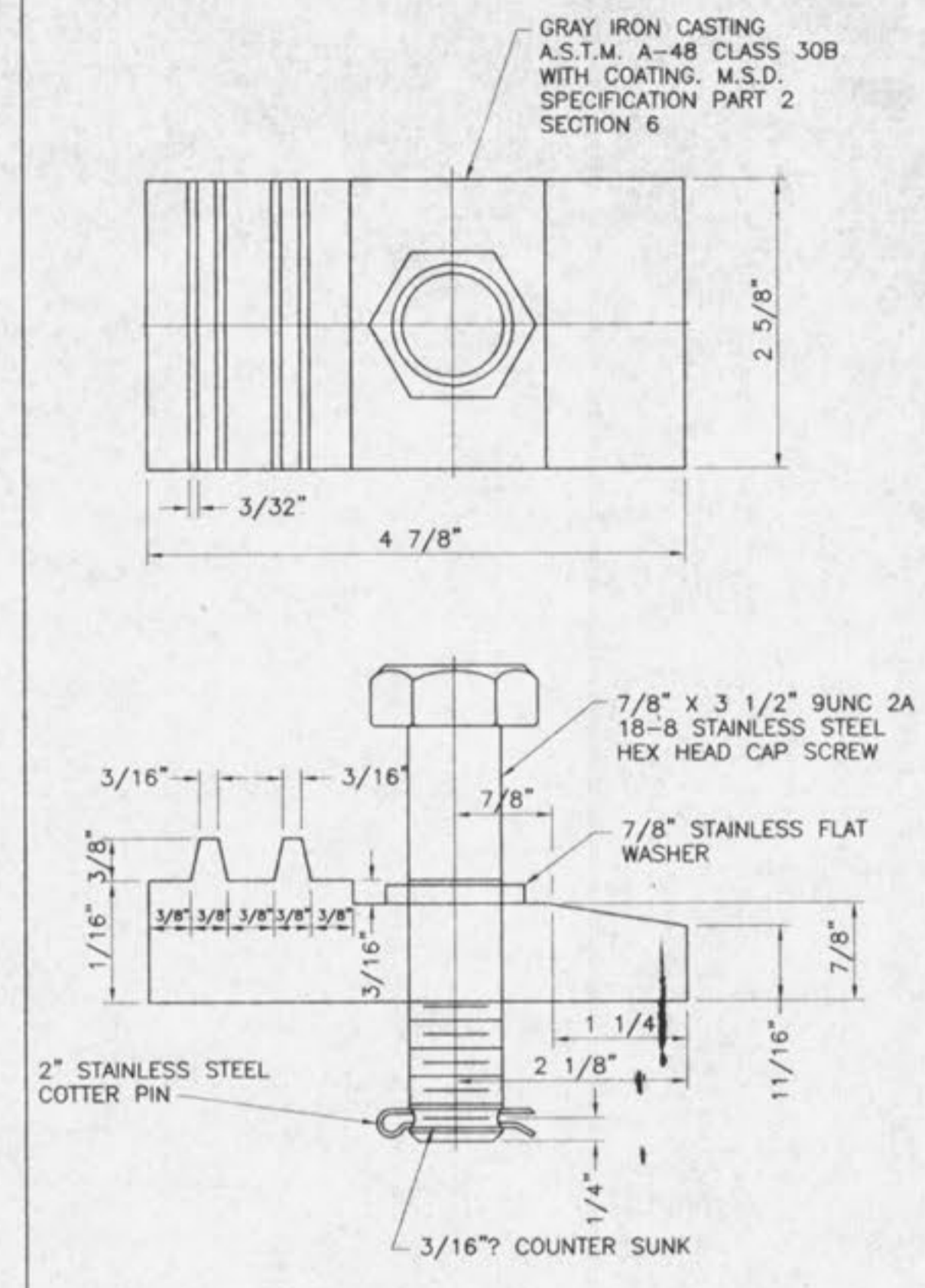
CAST IRON COVERS MANHOLES AND INLETS

NOTE A: MACHINE CONTACTING SURFACES FOR SEAT OF STANDARD MANHOLE FRAME AND BEARING SURFACE OF COVERS.

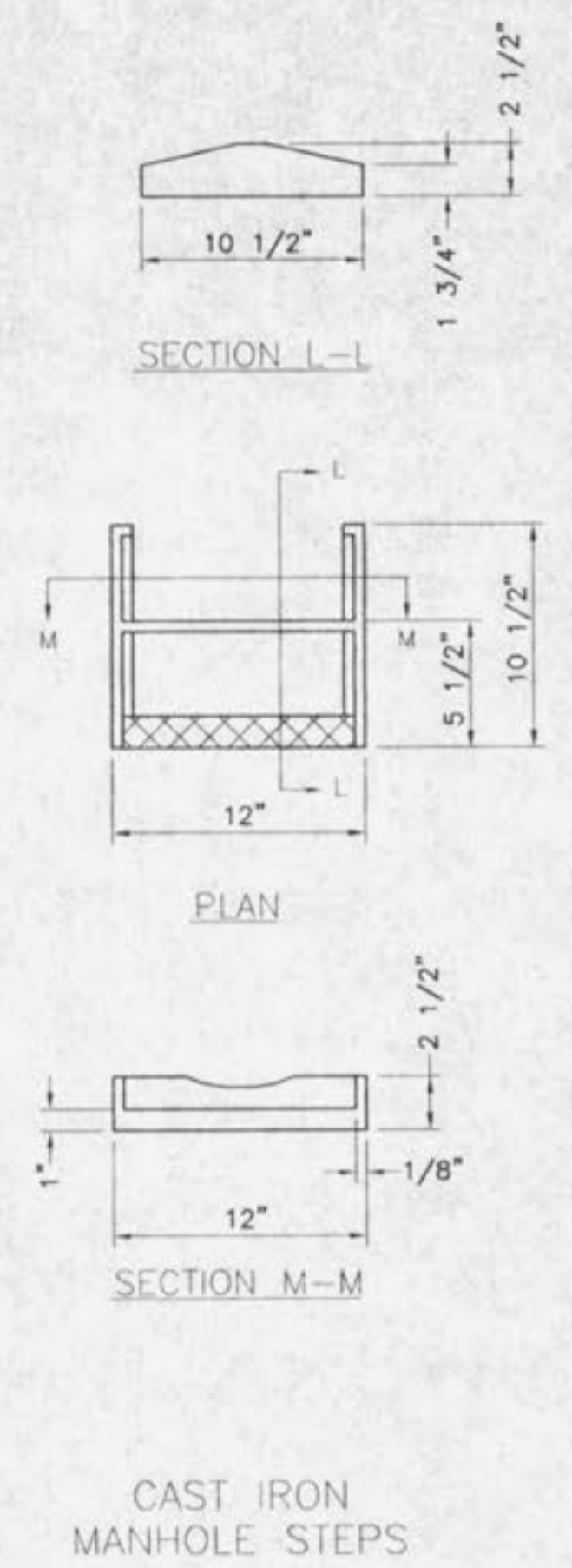
NOTE B: PROVIDE 1/8" RAISED LETTERING APPROXIMATELY 3/4" TO 1" HIGH.



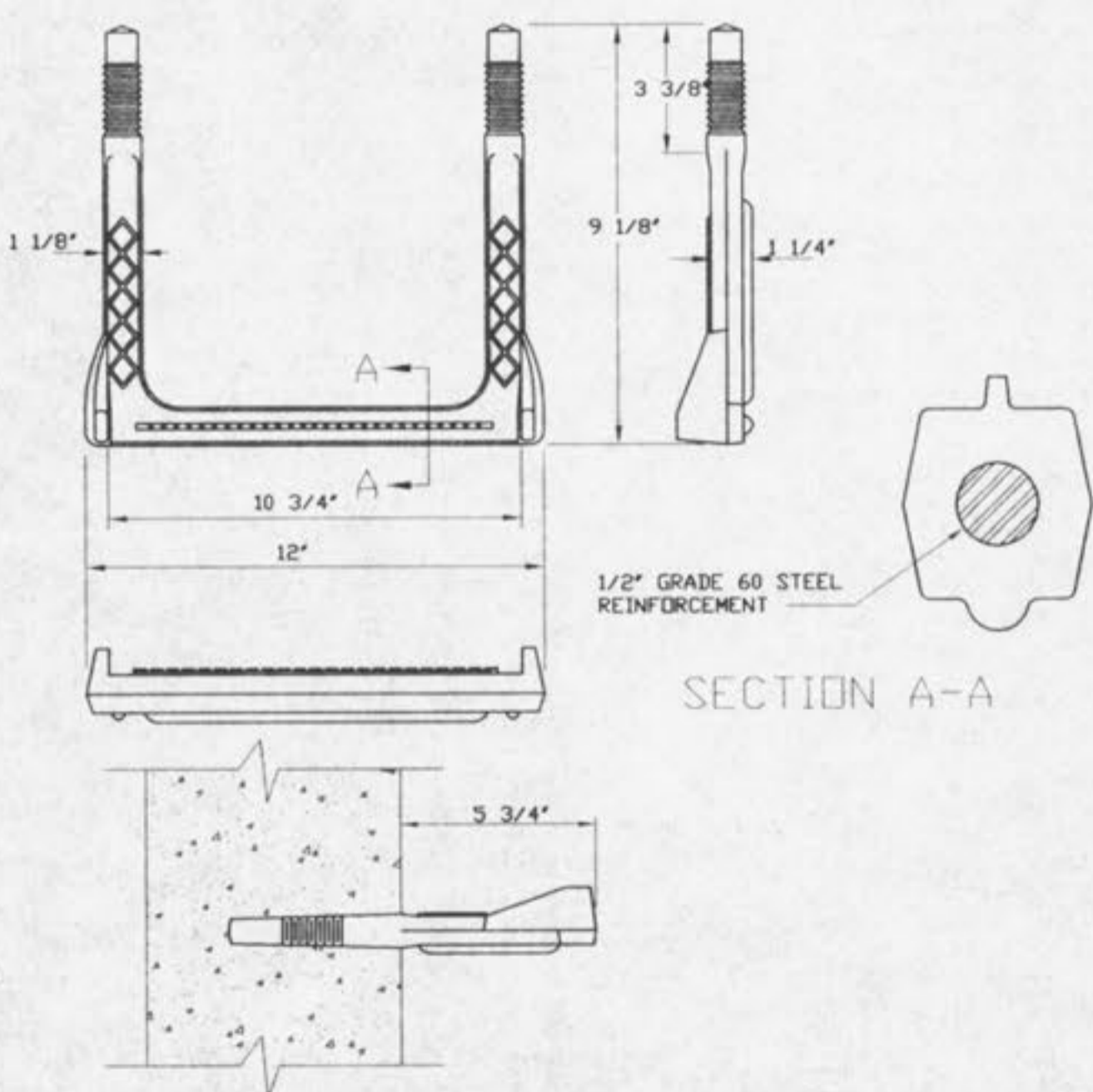
LOCKING DEVICE FOR TYPE 'N' LOCK TYPE MANHOLE COVER



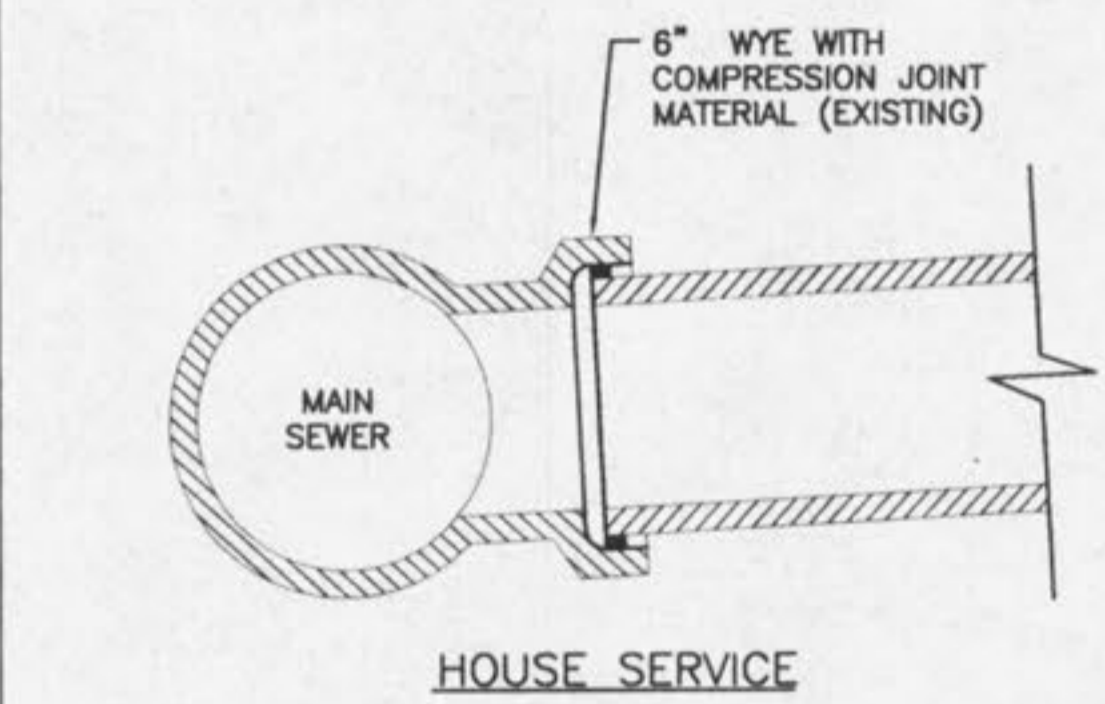
LOCKING DEVICE FOR TYPE 'T' LOCK TYPE MANHOLE COVER



CAST IRON MANHOLE STEPS

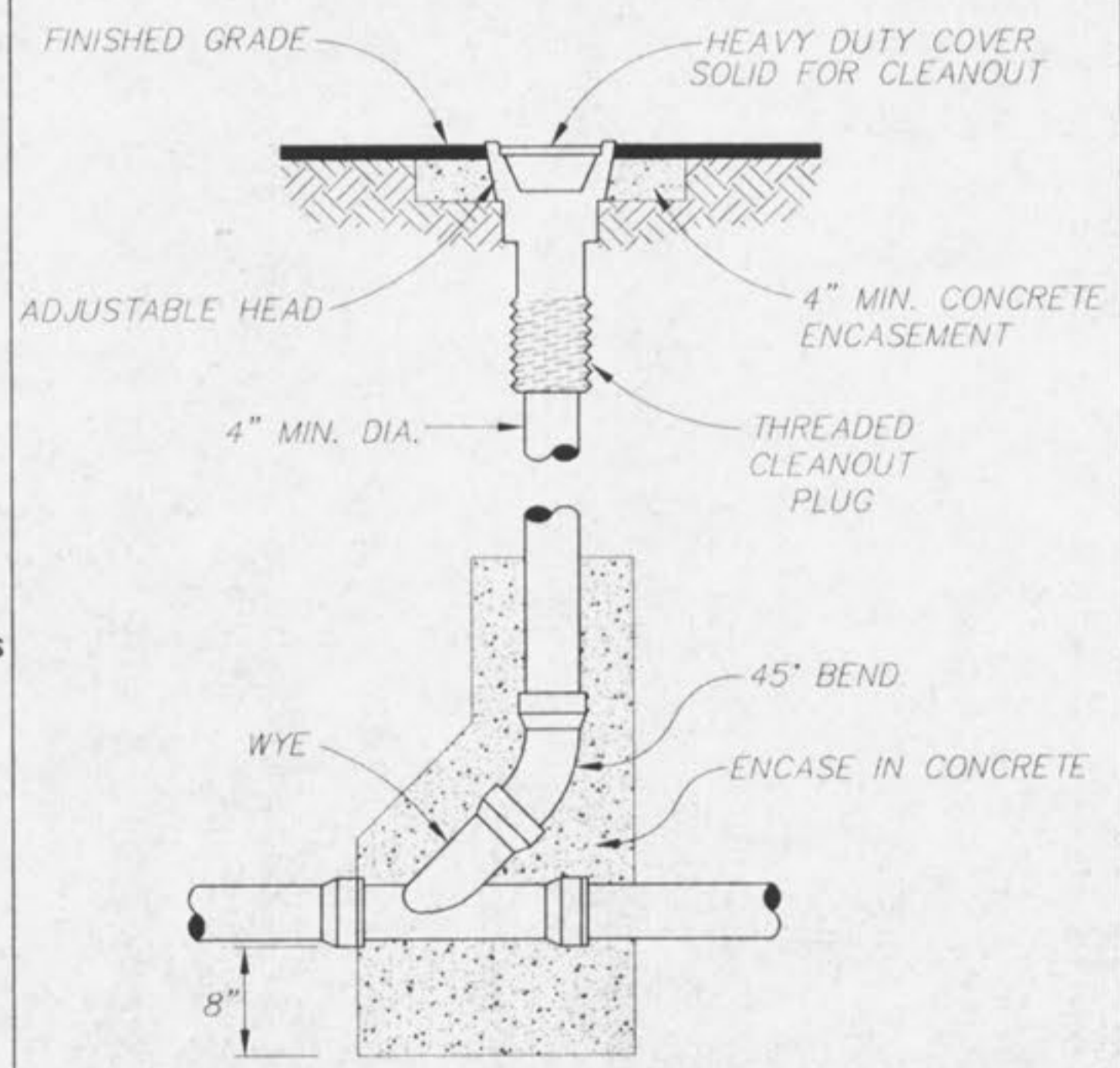


COPOLYMER POLYPROPYLENE PLASTIC MANHOLE STEP FOR PRECAST MANHOLE

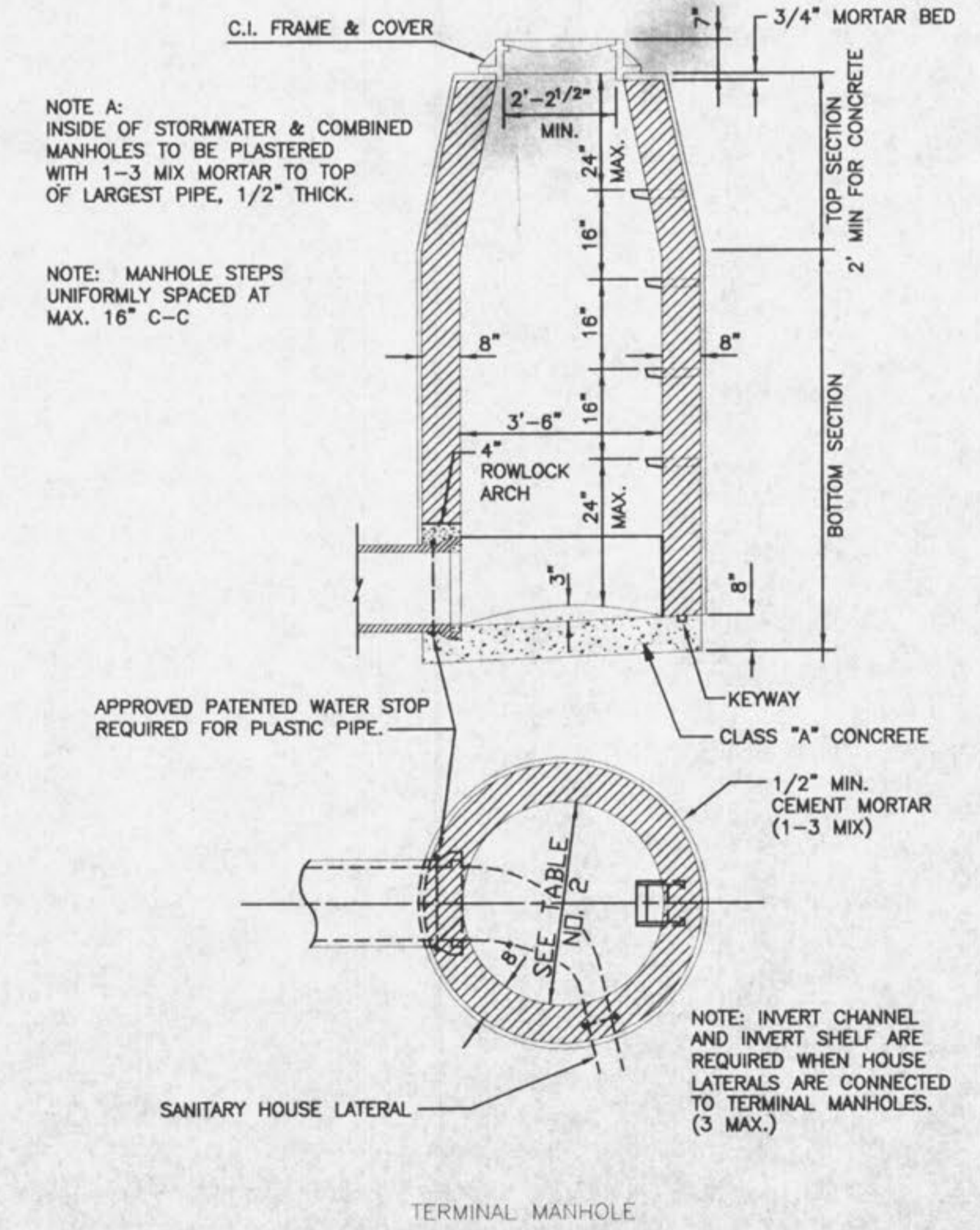


- 6" V.C.P. WITH COMPRESSION JOINT.
- 6" V.C.P. WITHOUT COMPRESSION JOINT. USE SEWER TITE AND OAKUM.
- IF 4" HOUSE CONNECTION IS APPROVED, A 4" TO 6" INCREASER IS REQUIRED.
- IF 6" P.V.C. IS USED A FERNCO ADAPTOR OR SEWER TITE AND OAKUM MAY BE USED TO MAKE THE JOINT.
- A CLEAN, DRY BEDDING MATERIAL IS REQUIRED AROUND THE COMPLETED CONNECTION BEFORE BACK FILLING. THE BEDDING MATERIAL SHALL BE ONE OF THE FOLLOWING:
  - M.S.D. NO. 1 BEDDING
  - 1 TO 3 CEMENT AND SAND
  - PRE-MIX CONCRETE

SUBMIT SAMPLE WYE TO THE CITY OF O'FALLON PRIOR TO CONSTRUCTION FOR APPROVAL.



CLEANOUT DETAIL N.T.S.



NOTE A: INSIDE OF STORMWATER & COMBINED MANHOLES TO BE PLASTERED WITH 1-3 MIX MORTAR TO TOP OF LARGEST PIPE, 1/2" THICK.

NOTE: MANHOLE STEPS UNIFORMLY SPACED AT MAX. 16" C-C

NOTE: INVERT CHANNEL AND INVERT SHELF ARE REQUIRED WHEN HOUSE LATERALS ARE CONNECTED TO TERMINAL MANHOLES. (3 MAX.)

**PICKETT RAY & SILVER**

CIVIL ENGINEERS  
PLANNERS  
LAND SURVEYORS

333 Mid Rivers Mall Drive  
St. Peters, MO 63376  
Phone (636) 397-1211  
Fax (636) 397-1104

**HAMPTON WOODS**

SANITARY DETAILS

Prepared For:  
**SUMMIT POINTE L.C.**

288 HUN HILL ROAD  
ST. CHARLES, MO 63301  
(636) 449-9200

REVISIONS	NO.	DATE	DESCRIPTION
1	08-27-04	REV. PER CITY OF O'FALLON	
2	11-15-02	REV. PER CITY OF O'FALLON	

RECEIVED  
DEC 21 2002

ENGINEERS AUTHENTICATION  
The responsibility for professional engineering liability on this project is hereby limited to the set of plans authorized by the seal, signature, and date hereunder attached. Responsibility is disclaimed for all other engineering plans involved in this project and specifically excludes revisions after this date unless reauthorized.

PICKETT, RAY & SILVER, INC.

HAROLD J. BARTON  
Professional Engineer  
No. 17753

DRAWN	DATE
ABK	MAY, 2002
CHECKED	DATE
D.W.D.	MAY, 2002
PROJECT #	95067.SUPO.00R
TASK #	4
FIELD BOOK	806