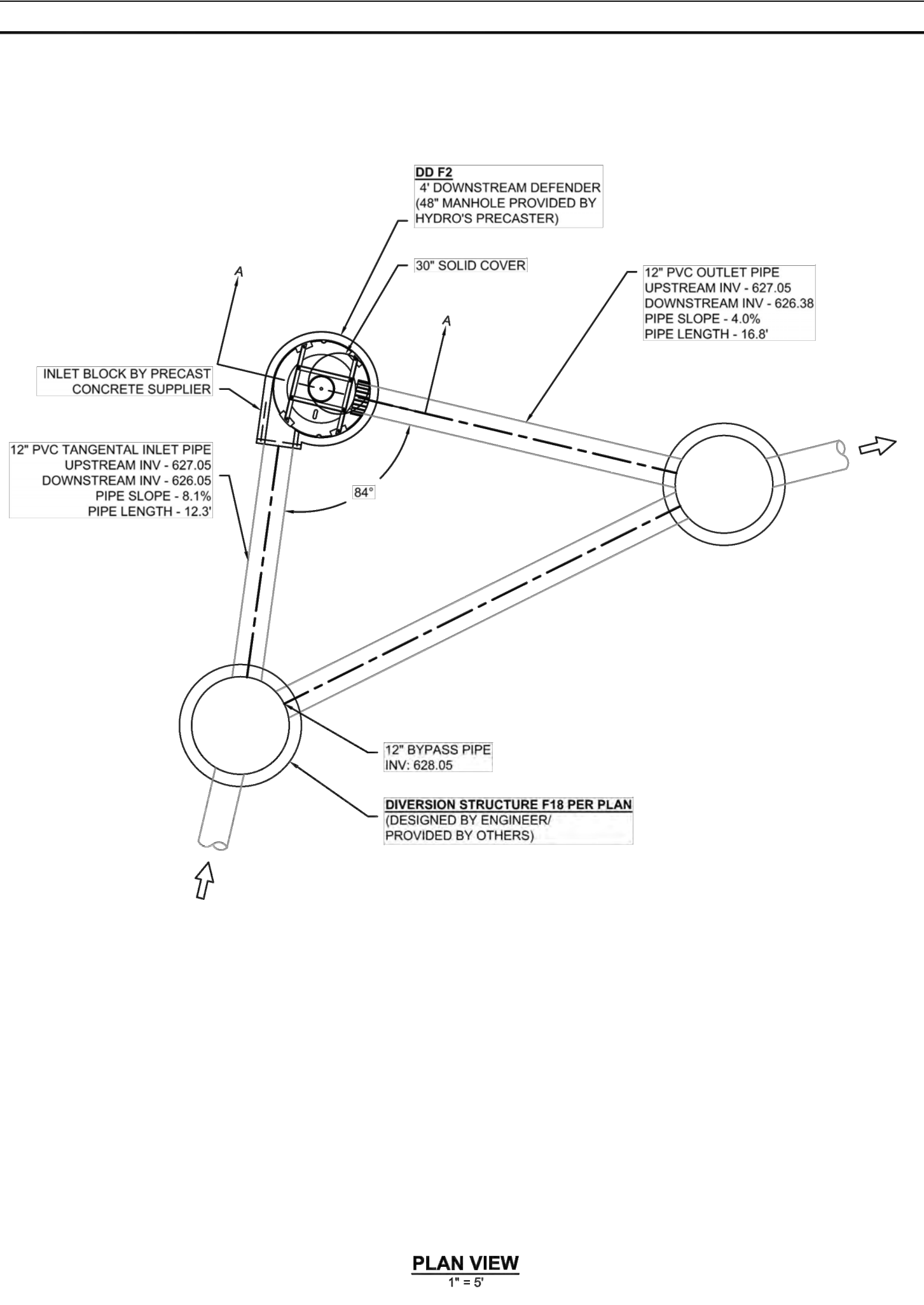
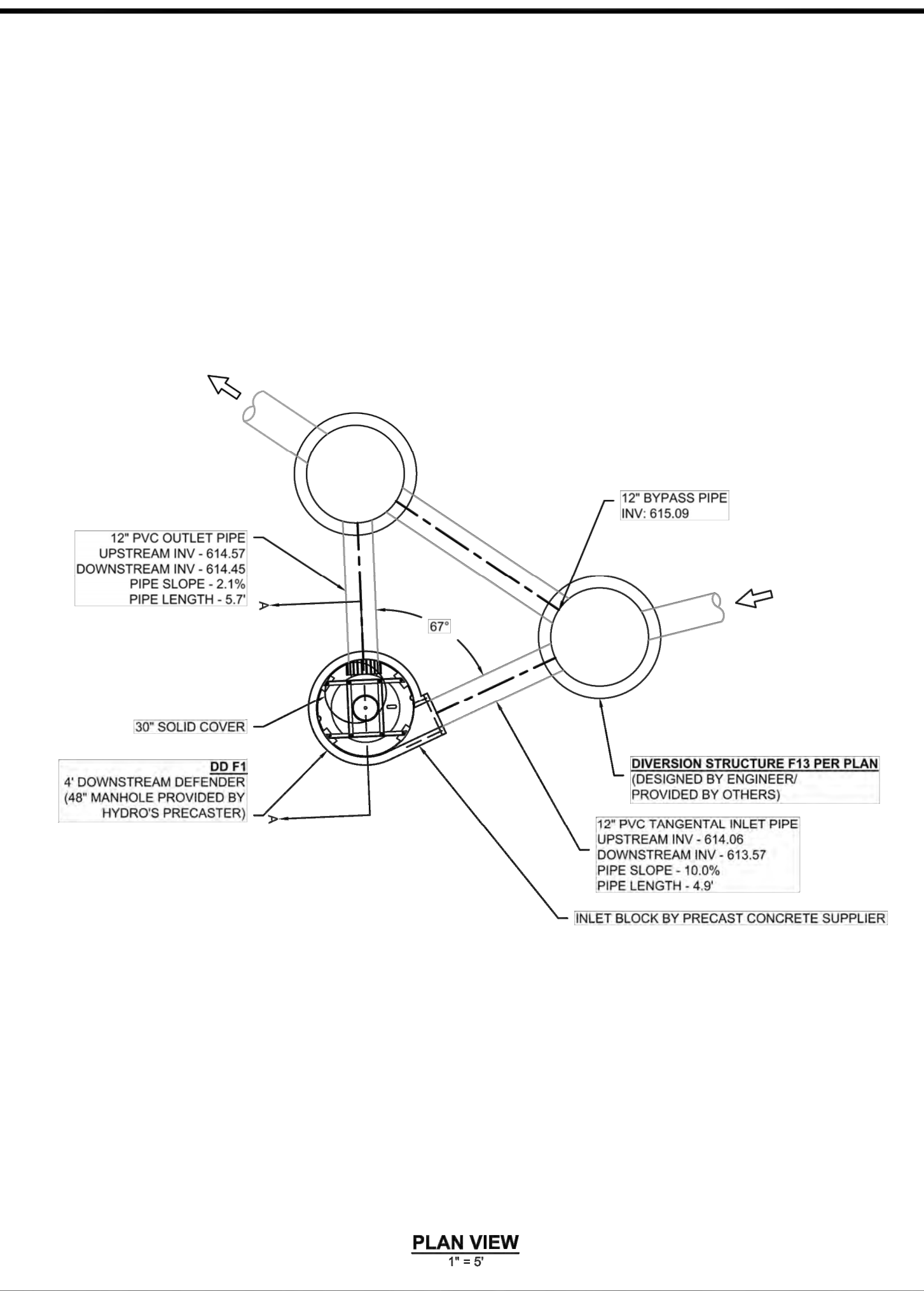
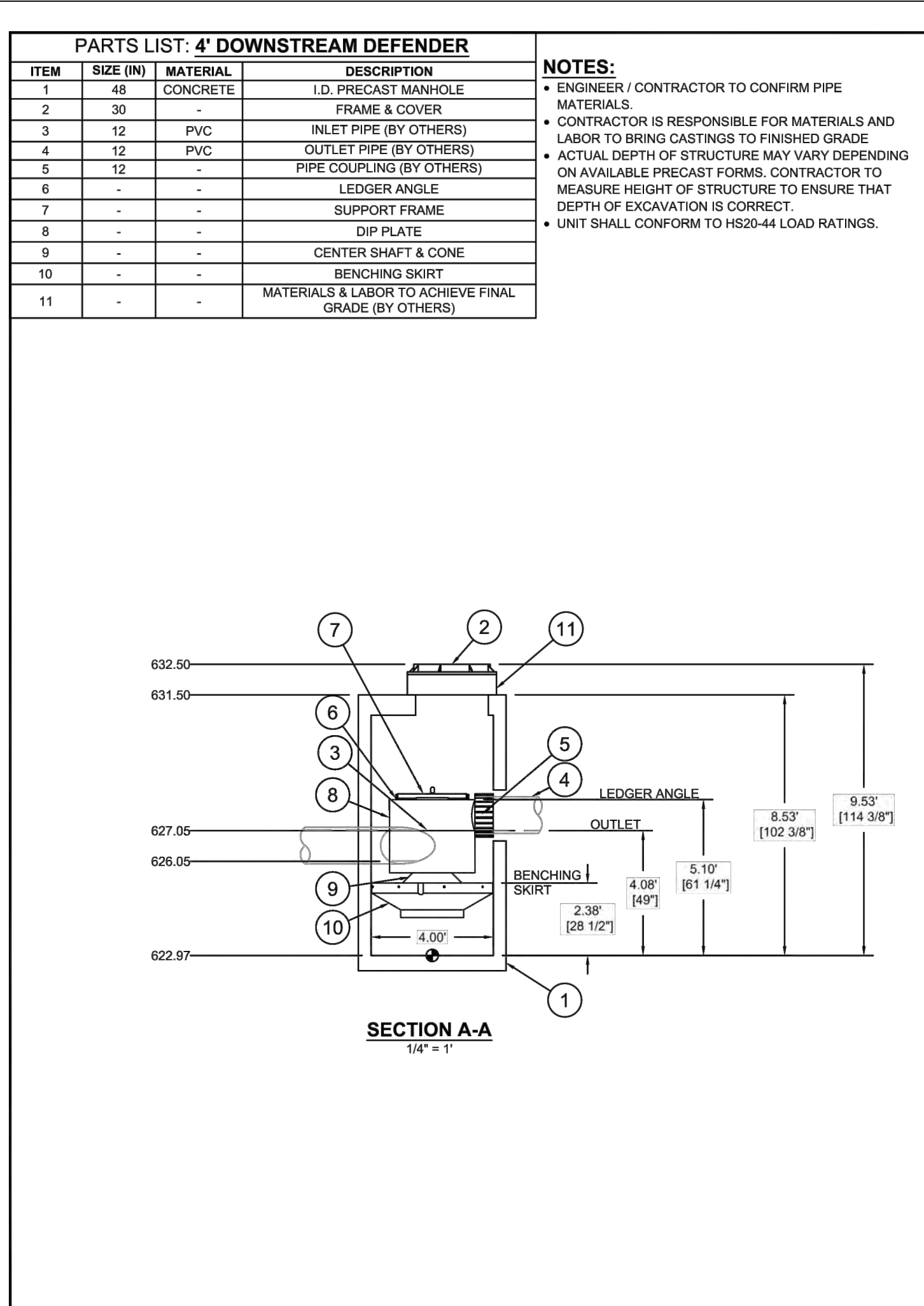
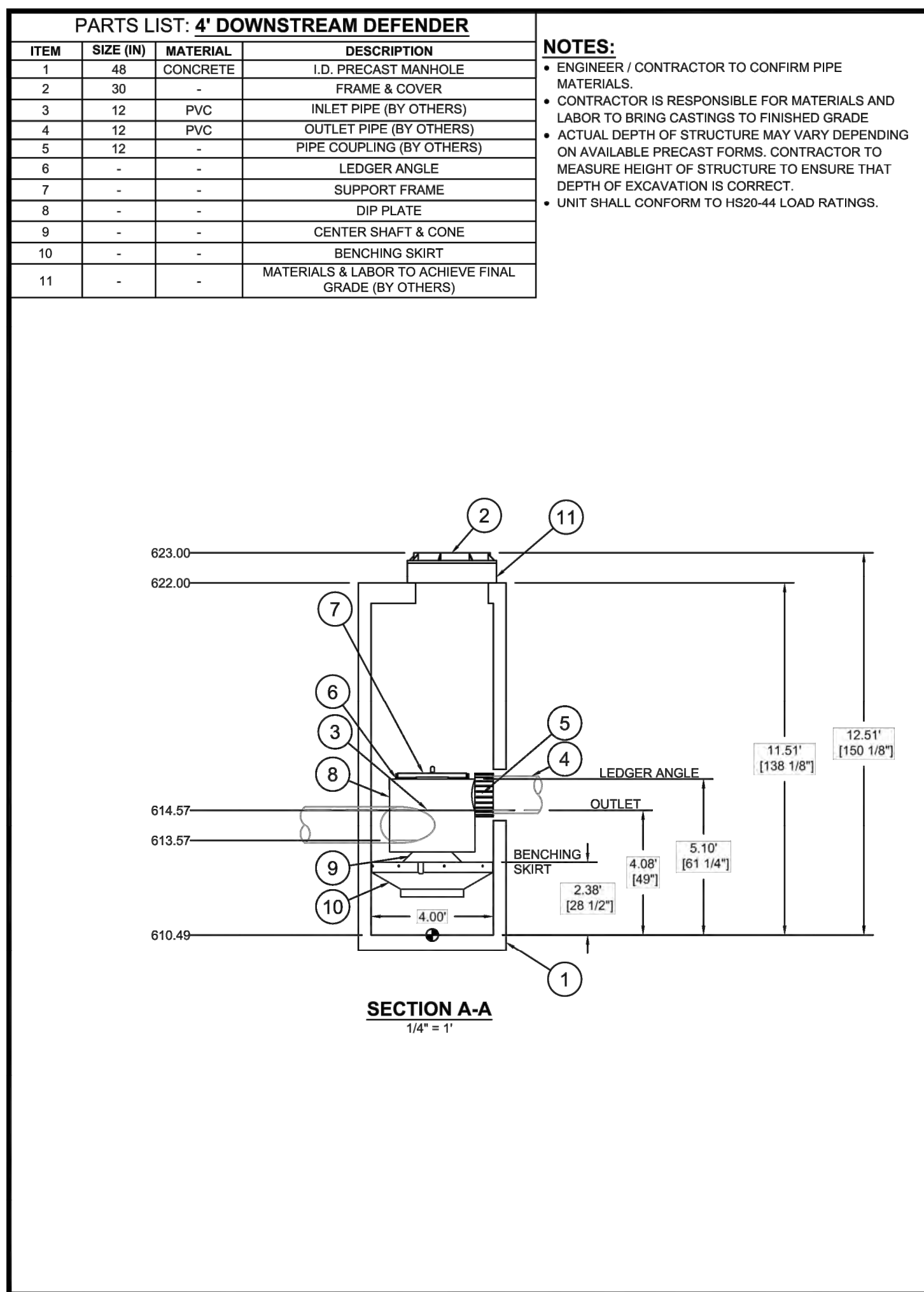


Drawing name: V:\2009237 Highway N Acasmbldg\Drawings\Engineering\Improvements\9237 IMP Basin Details.dwg Plotted on: May 21, 2024 - 6:12am Plotted by: jkukubaus



HARVEST AT HOPEWELL  
DD F1  
WENTZVILLE, MO

DATE: 12/17/22 DRAWN: AGC  
PROJECT #: S32835 CHECKED: MJL

HYDRO'S PRECASTERS  
4640 TRUEMAN BLVD  
HILLIARD, OH 43026

AS NOTED

2 SHEET OF 2

HARVEST AT HOPEWELL  
DD F2  
WENTZVILLE, MO

DATE: 12/17/22 DRAWN: AGC  
PROJECT #: S32835 CHECKED: MJL

HYDRO'S PRECASTERS  
4640 TRUEMAN BLVD  
HILLIARD, OH 43026

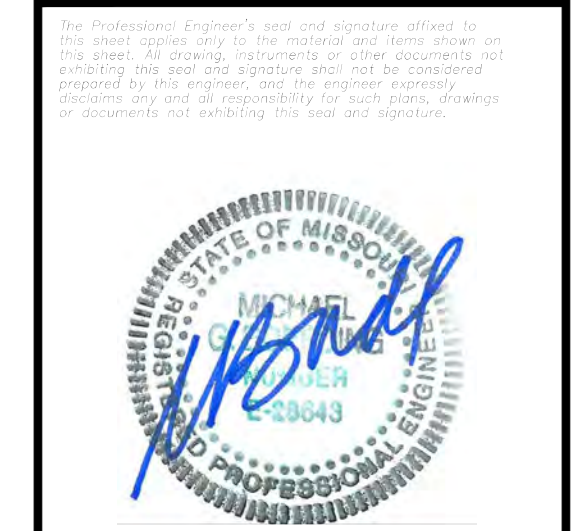
AS NOTED

2 SHEET OF 2

ISSUE	REMARKS/DATE
1	2023-09-28, INITIAL SUBMITTAL
2	2024-02-01, CITY COMMENTS
3	2024-04-17, CITY COMMENTS
4	2024-05-20, FOR APPROVAL

PROJECT TITLE  
**HARVEST AT HOPEWELL**  
O'Fallon, Missouri  
**O'FALLON PHASE IB**

THE **STERLING** CO.  
ENGINEERS & SURVEYORS  
6055 New Baumgartner Road  
St. Louis, Missouri 63129  
Ph 314-487-0440 Fax 314-487-8944  
www.sterling-eng-sur.com  
Corporate Certificate of Authority #001348



Date: 05-20-2024  
Michael G. Boarding  
License No. MO E-28643  
Professional Engineer

HARVEST HOPEWELL, LLC  
5091 New Baumgartner Road  
St. Louis, Missouri 63129

DOWNSTREAM DEFENDER DETAIL - F1 & F2

P+Z No. 21-004994  
City No. 21-011444  
Date: 05-20-2024  
Job No. 20-09-327

Page No.  
**9.17**  
IMP