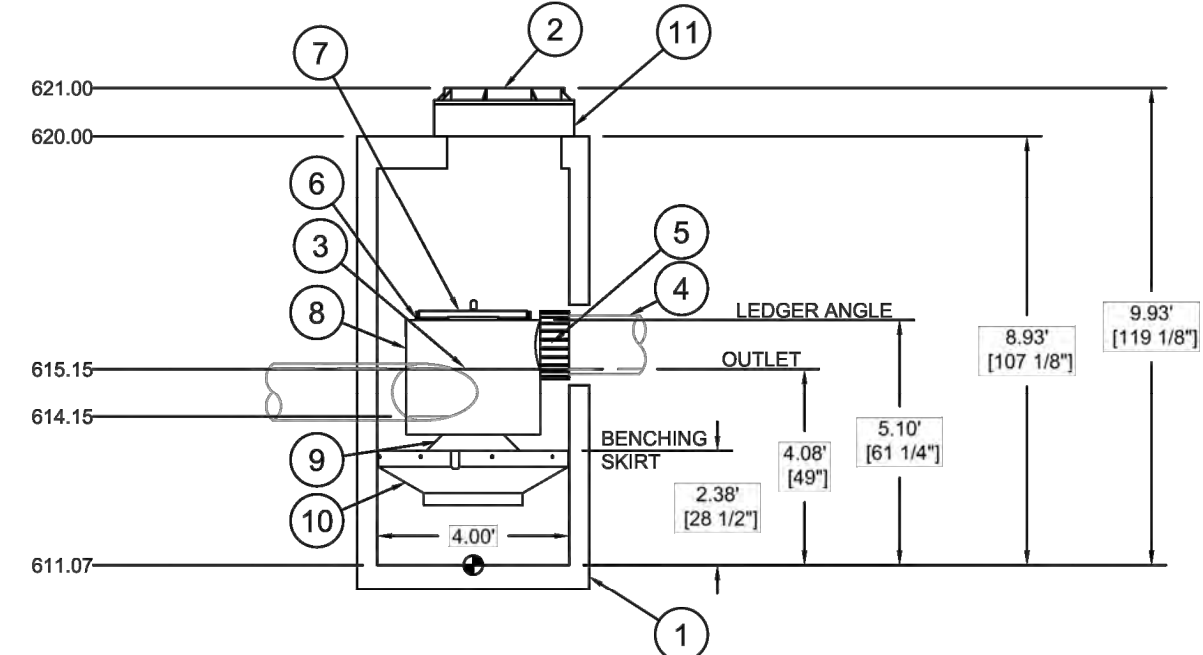


Drawing name: V:\2009227 Highway N AcumbidgeDrawings\Engineering\Improvements\9227 IMP Basin Details.dwg Plotted on: May 20, 2024 - 10:35am Plotted by: jandlenhaus

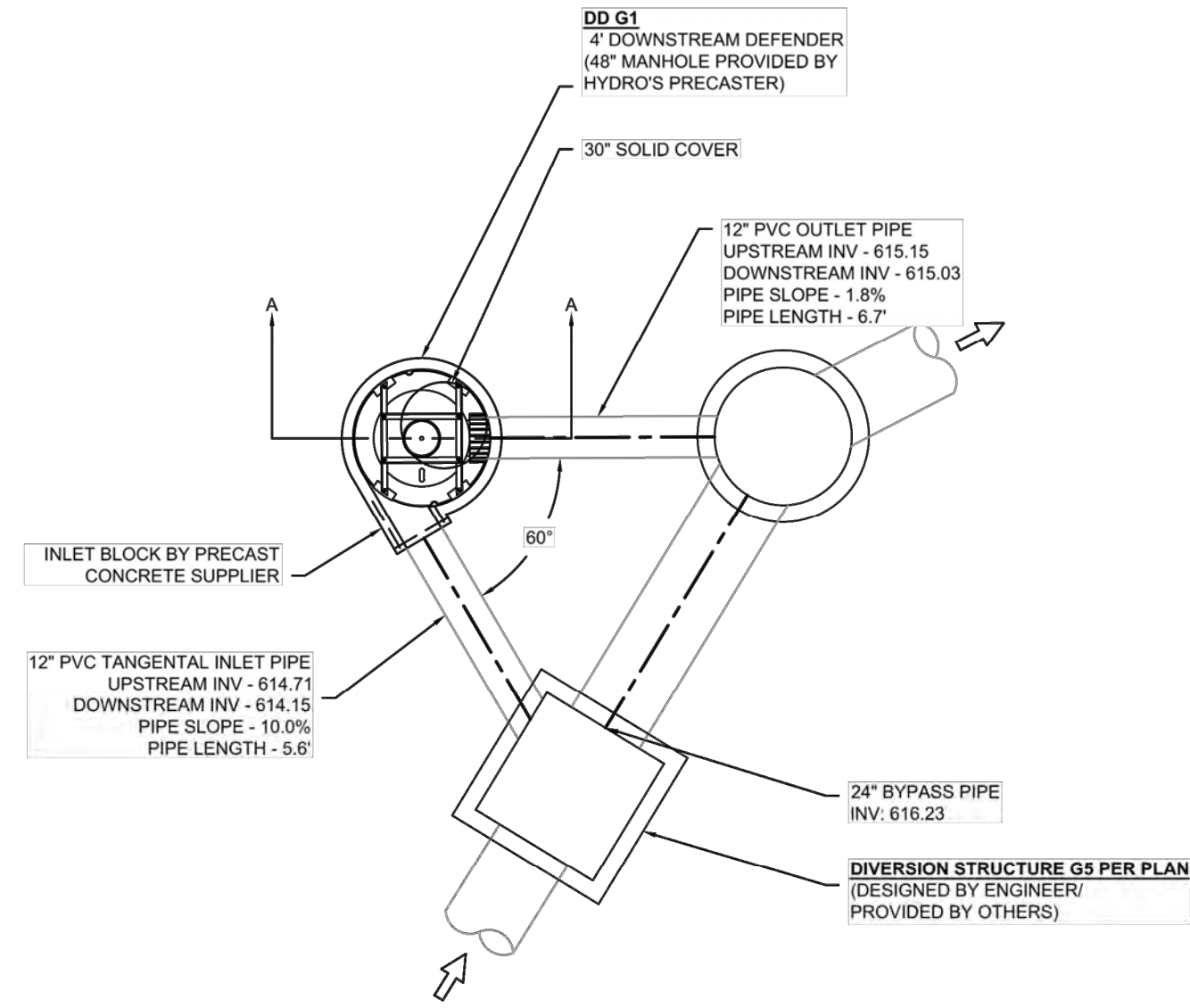
PARTS LIST: 4' DOWNSTREAM DEFENDER			
ITEM	SIZE (IN)	MATERIAL	DESCRIPTION
1	48	CONCRETE	I.D. PRECAST MANHOLE
2	30	-	FRAME & COVER
3	12	PVC	INLET PIPE (BY OTHERS)
4	12	PVC	OUTLET PIPE (BY OTHERS)
5	12	-	PIPE COUPLING (BY OTHERS)
6	-	-	LEDGER ANGLE
7	-	-	SUPPORT FRAME
8	-	-	DIP PLATE
9	-	-	CENTER SHAFT & CONE
10	-	-	BENCHING SKIRT
11	-	-	MATERIALS & LABOR TO ACHIEVE FINAL GRADE (BY OTHERS)

**NOTES:**

- ENGINEER / CONTRACTOR TO CONFIRM PIPE MATERIALS.
- CONTRACTOR IS RESPONSIBLE FOR MATERIALS AND LABOR TO BRING CASTINGS TO FINISHED GRADE.
- ACTUAL DEPTH OF STRUCTURE MAY VARY DEPENDING ON AVAILABLE PRECAST FORMS. CONTRACTOR TO MEASURE HEIGHT OF STRUCTURE TO ENSURE THAT DEPTH OF EXCAVATION IS CORRECT.
- UNIT SHALL CONFORM TO HS20-44 LOAD RATINGS.



SECTION A-A  
1/4" = 1"



PLAN VIEW  
1" = 5'

HARVEST AT HOPEWELL  
DD G1  
WENTZVILLE, MO  
DATE: 12/17/22 DRAWN: AGC  
PROJECT #: S32935 CHECKED: MJL

FORWARDER SOLUTIONS  
5091 NEW BAUMGARTNER ROAD  
ST. LOUIS, MISSOURI 63129  
WWW.HARVEST-AT.COM

Hydro M International  
THE COMPANY HAS BEEN PREPARED BASED ON INFORMATION PROVIDED TO AND UNDER THE DIRECTION OF THE SITE DESIGN ENGINEER. THE SITE DESIGN ENGINEER SHALL REVIEW THIS DRAWING PRIOR TO CONSTRUCTION. IT IS THE ULTIMATE RESPONSIBILITY OF THE SITE DESIGN ENGINEER TO ENSURE THAT THE PRODUCTS DESCRIBED ARE AS ASSOCIATED PER ALL APPLICABLE LAWS, REGULATIONS, AND PROJECT REQUIREMENTS.

4640 TRUHEMAN BLVD  
HILLIARD, OH 43026

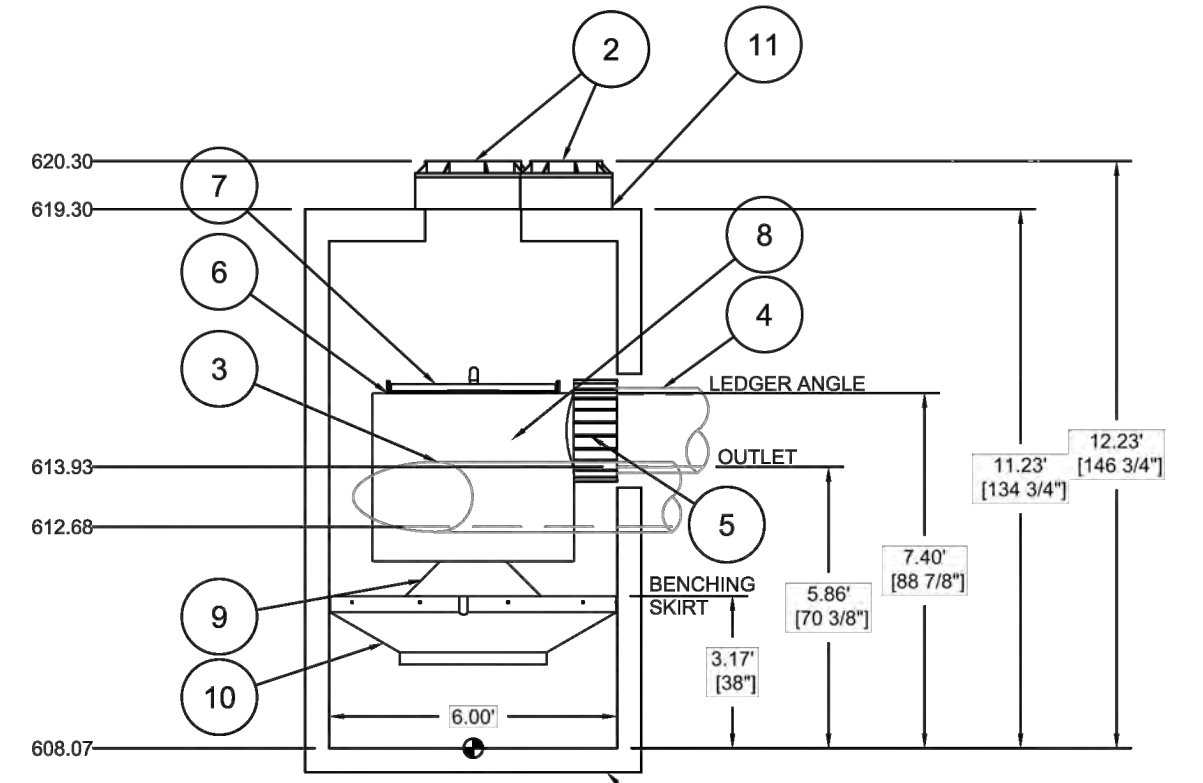
AS NOTED

2 SHEET OF 2

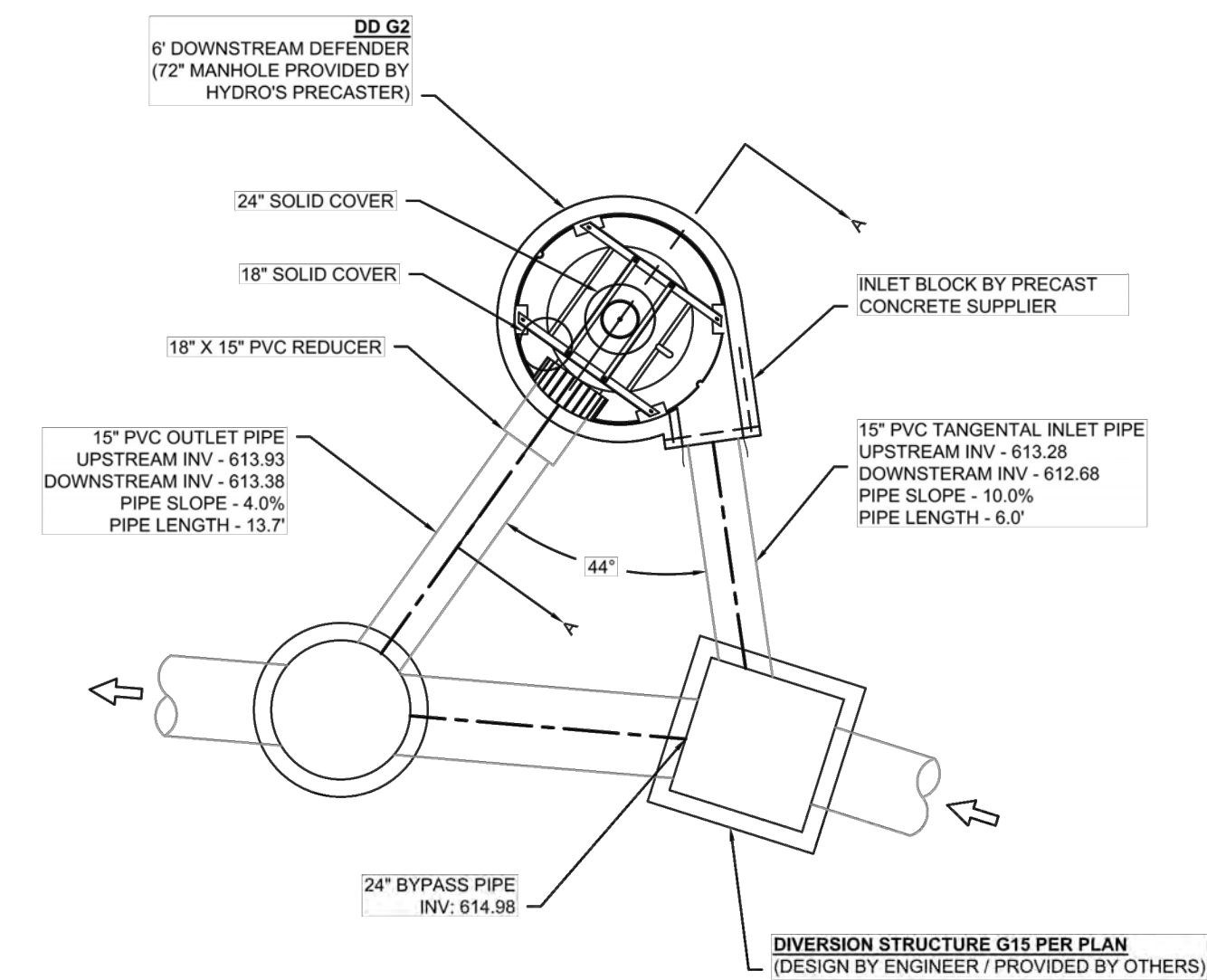
PARTS LIST: 6' DOWNSTREAM DEFENDER			
ITEM	SIZE (IN)	MATERIAL	DESCRIPTION
1	72	CONCRETE	I.D. PRECAST MANHOLE
2	18 & 24	-	FRAME & COVER
3	15	PVC	INLET PIPE (BY OTHERS)
4	15	PVC	OUTLET PIPE (BY OTHERS)
5	18	-	PIPE COUPLING (BY OTHERS)
6	-	-	LEDGER ANGLE
7	-	-	SUPPORT FRAME
8	-	-	DIP PLATE
9	-	-	CENTER SHAFT & CONE
10	-	-	BENCHING SKIRT
11	-	-	MATERIALS & LABOR TO ACHIEVE FINAL GRADE (BY OTHERS)

**NOTES:**

- ENGINEER / CONTRACTOR TO CONFIRM PIPE MATERIALS.
- CONTRACTOR IS RESPONSIBLE FOR MATERIALS AND LABOR TO BRING CASTINGS TO FINISHED GRADE.
- ACTUAL DEPTH OF STRUCTURE MAY VARY DEPENDING ON AVAILABLE PRECAST FORMS. CONTRACTOR TO MEASURE HEIGHT OF STRUCTURE TO ENSURE THAT DEPTH OF EXCAVATION IS CORRECT.
- UNIT SHALL CONFORM TO HS20-44 LOAD RATINGS.



SECTION A-A  
1/4" = 1"



PLAN VIEW  
1" = 5'

HARVEST AT HOPEWELL  
DD G2  
WENTZVILLE, MO  
DATE: 12/17/22 DRAWN: AGC  
PROJECT #: S32935 CHECKED: MJL

FORWARDER SOLUTIONS  
5091 NEW BAUMGARTNER ROAD  
ST. LOUIS, MISSOURI 63129  
WWW.HARVEST-AT.COM

Hydro M International  
THE COMPANY HAS BEEN PREPARED BASED ON INFORMATION PROVIDED TO AND UNDER THE DIRECTION OF THE SITE DESIGN ENGINEER. THE SITE DESIGN ENGINEER SHALL REVIEW THIS DRAWING PRIOR TO CONSTRUCTION. IT IS THE ULTIMATE RESPONSIBILITY OF THE SITE DESIGN ENGINEER TO ENSURE THAT THE PRODUCTS DESCRIBED ARE AS ASSOCIATED PER ALL APPLICABLE LAWS, REGULATIONS, AND PROJECT REQUIREMENTS.

4640 TRUHEMAN BLVD  
HILLIARD, OH 43026

AS NOTED

2 SHEET OF 2

ISSUE	REMARKS/DATE
1	2023-09-28, INITIAL SUBMITTAL
2	2024-02-01, CITY COMMENTS
3	2024-04-17, CITY COMMENTS
4	2024-05-20, FOR APPROVAL

PROJECT TITLE

HARVEST  
AT HOPEWELL

O'Fallon, Missouri

O'FALLON PHASE IB

THE STERLING CO.  
ENGINEERS & SURVEYORS

6055 New Baumgartner Road  
St. Louis, Missouri 63129  
Ph 314-487-0440 Fax 314-487-8944  
www.sterling-eng-survey.com  
Corporate Certificate of Authority #001348

The Professional Engineer's seal and signature affixed to this sheet shall be the only evidence of the Engineer's approval of this work. All drawings, specifications and other documents are prepared by the Engineer and shall be subject to the Engineer's control and all responsibility for such shall remain with the Engineer. No other person shall be permitted to reproduce or alter this work without the written consent of the Engineer.



Date: 05-20-2024  
Michael G. Boerding  
License No. MO E-28643  
Professional Engineer

HARVEST HOPEWELL, LLC  
5091 New Baumgartner Road  
St. Louis, Missouri 63129

DOWNSTREAM DEFENDER DETAIL - G1 & G2

P+Z No. 21-004994  
City No. 21-011444  
Date: 05-20-2024  
Job No. 20-09-327

Page No.

9.18

IMP