

ISSUE	REMARKS/DATE
1	2023-09-28, INITIAL SUBMITTAL
2	2024-02-01, CITY COMMENTS
3	2024-04-17, CITY COMMENTS
4	2024-05-20, FOR APPROVAL

PROJECT TITLE

HARVEST AT HOPEWELL
OF FALLON PHASE IB

THE STERLING CO.
ENGINEERS & SURVEYORS
6055 New Baumgartner Road
St. Louis, Missouri 63129
Ph 314-487-0440 Fax 314-487-8944
www.sterling-eng-survey.com
Corporate Certificate of Authority #001348

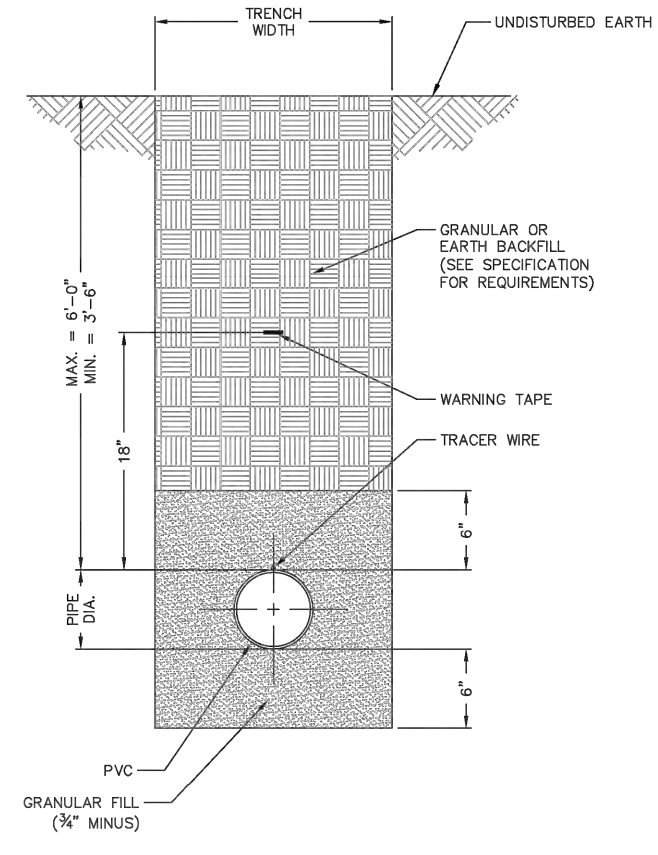
Date: 05-20-2024
Michael G. Boerding
License No. MO E-28643
Professional Engineer

HARVEST HOPEWELL, LLC
5091 New Baumgartner Road
St. Louis, Missouri 63129

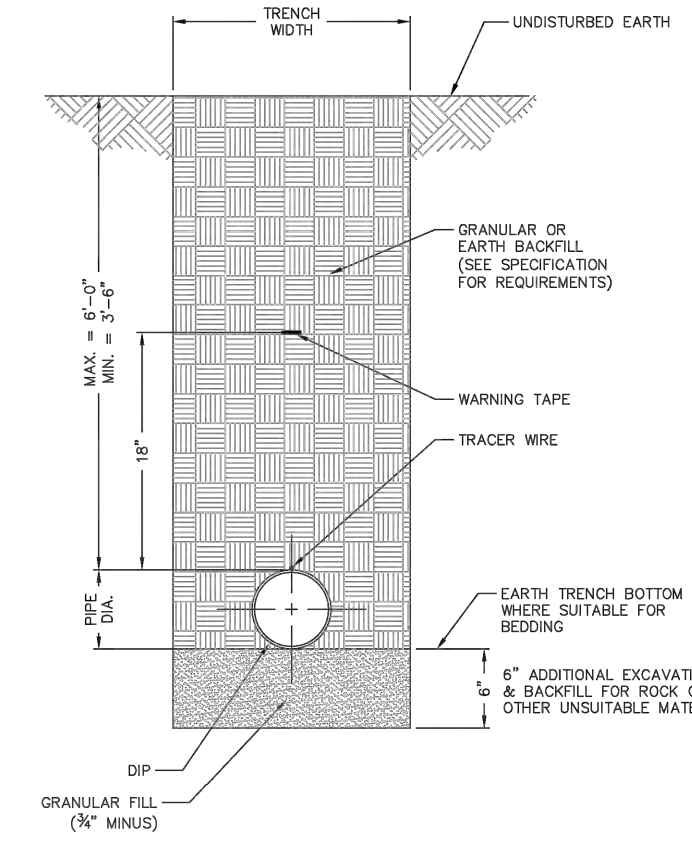
P+Z No. 21-004994
City No. 21-011444
Date: 05-20-2024
Job No. 20-09-327
Page No.

DTL-8

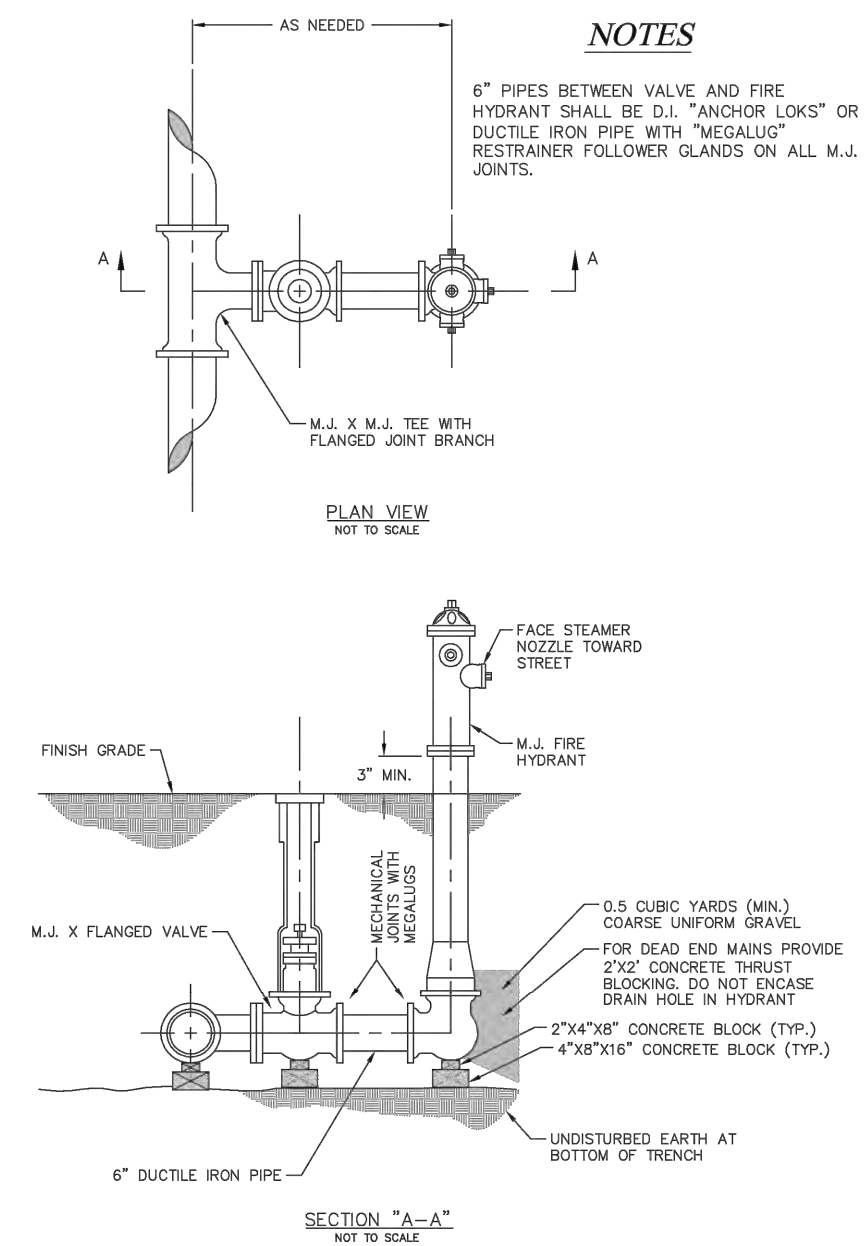
IMP



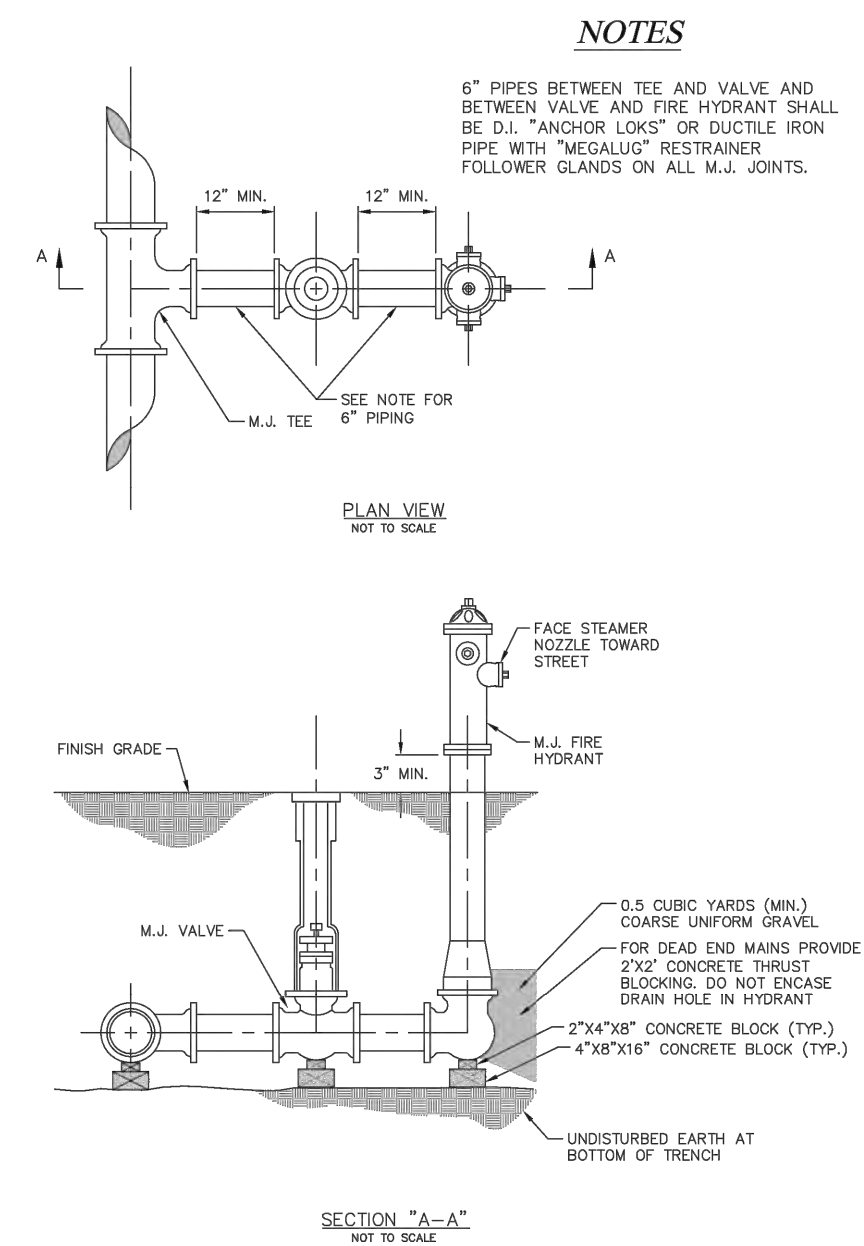
NOTES
1) SEE SPECIFICATIONS FOR ADDITIONAL DETAILS FOR BEDDING AND BACKFILL.
TYPICAL TRENCH SECTION FOR PVC PIPE
NOT TO SCALE
DETAIL "A"
PAGE 1 OF 2



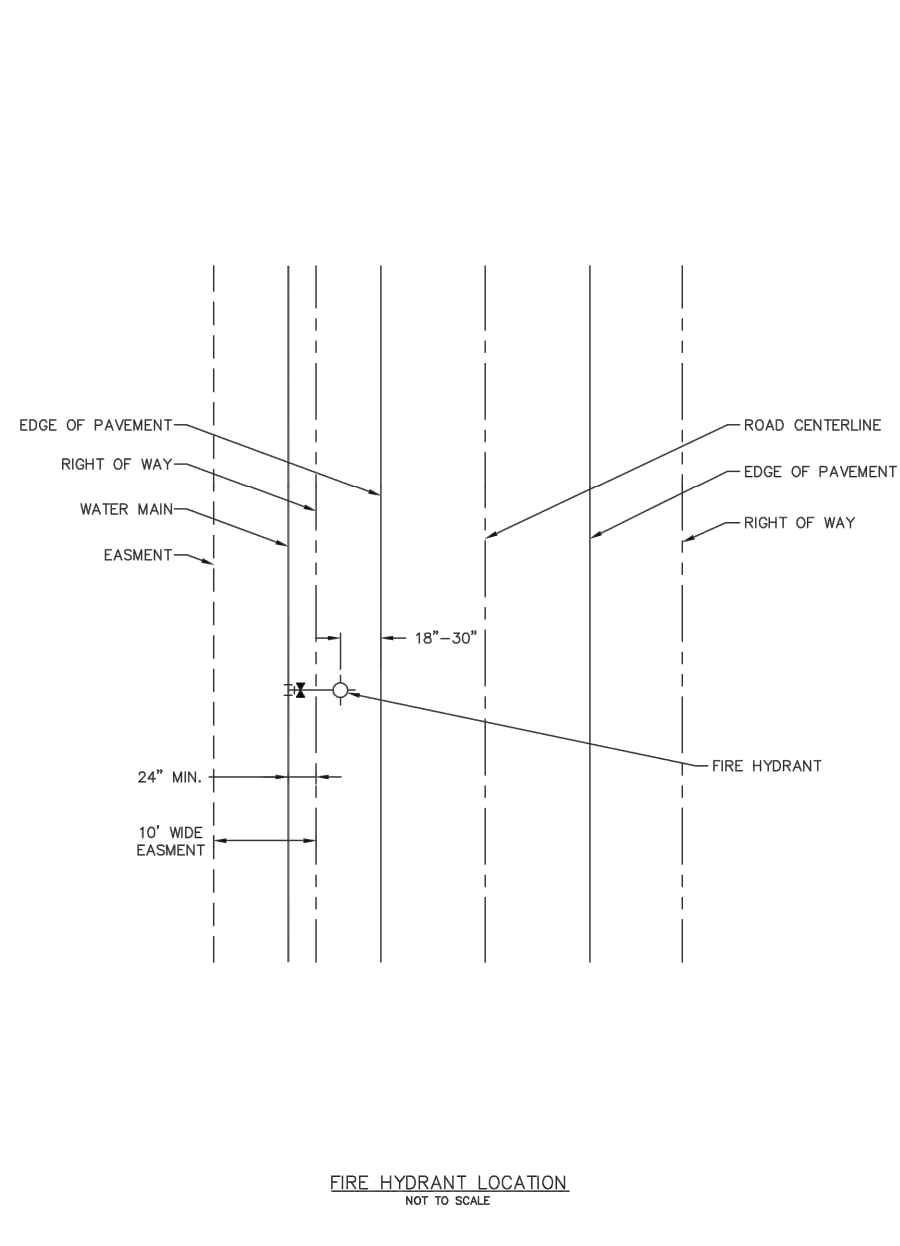
NOTES
1) POLYWRAP REQUIRED FOR DUCTILE IRON PIPE
2) SEE SPECIFICATIONS FOR ADDITIONAL DETAILS FOR BEDDING AND BACKFILL.
TYPICAL TRENCH SECTION FOR DUCTILE IRON PIPE
NOT TO SCALE
DETAIL "A"
PAGE 2 OF 2



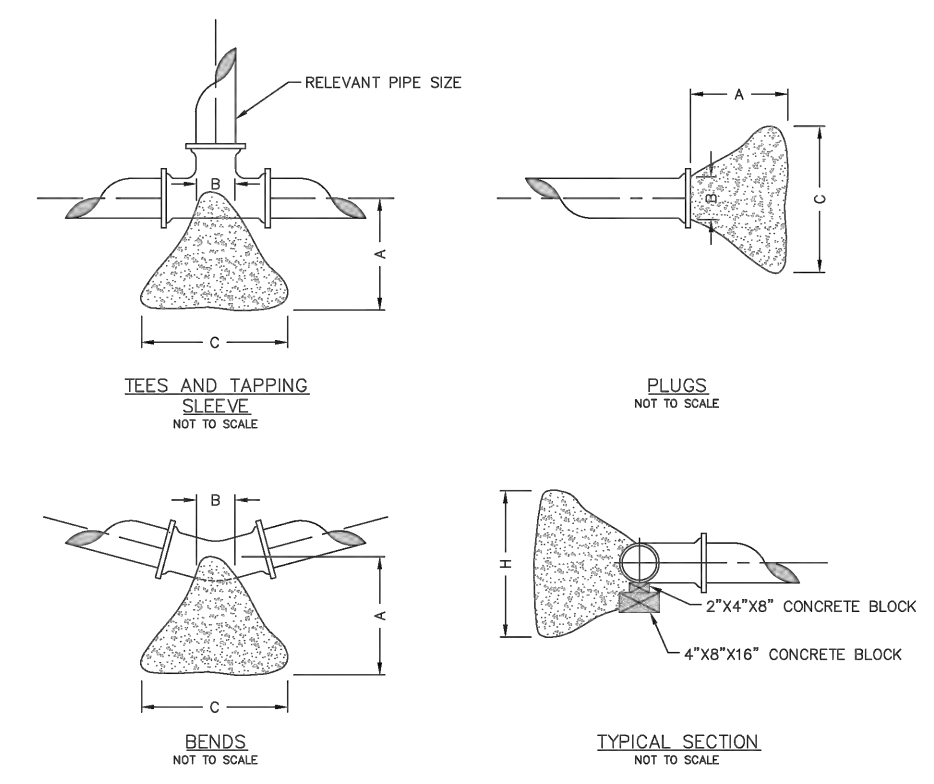
NOTES
6" PIPES BETWEEN TEE AND VALVE AND BETWEEN VALVE AND FIRE HYDRANT SHALL BE D.I. "ANCHOR LOCKS" OR DUCTILE IRON PIPE WITH "MEGALUG" RESTRAINER FOLLOWER GLANDS ON ALL M.J. JOINTS.
FIRE HYDRANT DETAIL
DETAIL "B"
PAGE 1 OF 3



NOTES
6" PIPES BETWEEN TEE AND VALVE AND BETWEEN VALVE AND FIRE HYDRANT SHALL BE D.I. "ANCHOR LOCKS" OR DUCTILE IRON PIPE WITH "MEGALUG" RESTRAINER FOLLOWER GLANDS ON ALL M.J. JOINTS.
FIRE HYDRANT DETAIL
DETAIL "B"
PAGE 2 OF 3

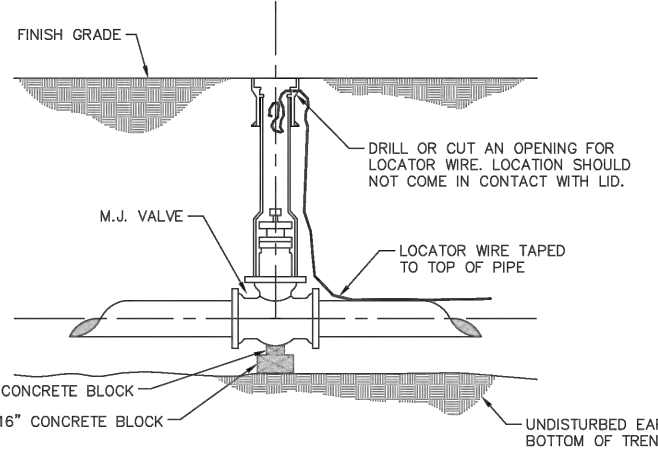


NOTES
6" PIPES BETWEEN TEE AND VALVE AND BETWEEN VALVE AND FIRE HYDRANT SHALL BE D.I. "ANCHOR LOCKS" OR DUCTILE IRON PIPE WITH "MEGALUG" RESTRAINER FOLLOWER GLANDS ON ALL M.J. JOINTS.
FIRE HYDRANT DETAIL
DETAIL "B"
PAGE 3 OF 3



PIPE DIA.	ALL FTGS.			TEE PLUG TAPPING			90 DEGREE BEND			45 DEGREE BEND			22-1/2 BEND			11-1/4 BEND		
	A	B	C	A	B	C	A	B	C	A	B	C	A	B	C	A	B	C
4	14	4	24	12	26	15	18	12	12	12	12	12	12	12	12	12	12	12
6	16	6	36	18	36	24	30	18	24	18	24	18	12	12	12	12	12	12
8	20	8	36	30	42	36	36	24	24	18	18	12	12	12	12	12	12	12
10	20	10	48	36	66	36	36	28	24	18	18	12	12	12	12	12	12	12
12	24	12	66	36	66	42	42	36	40	24	20	18	12	12	12	12	12	12

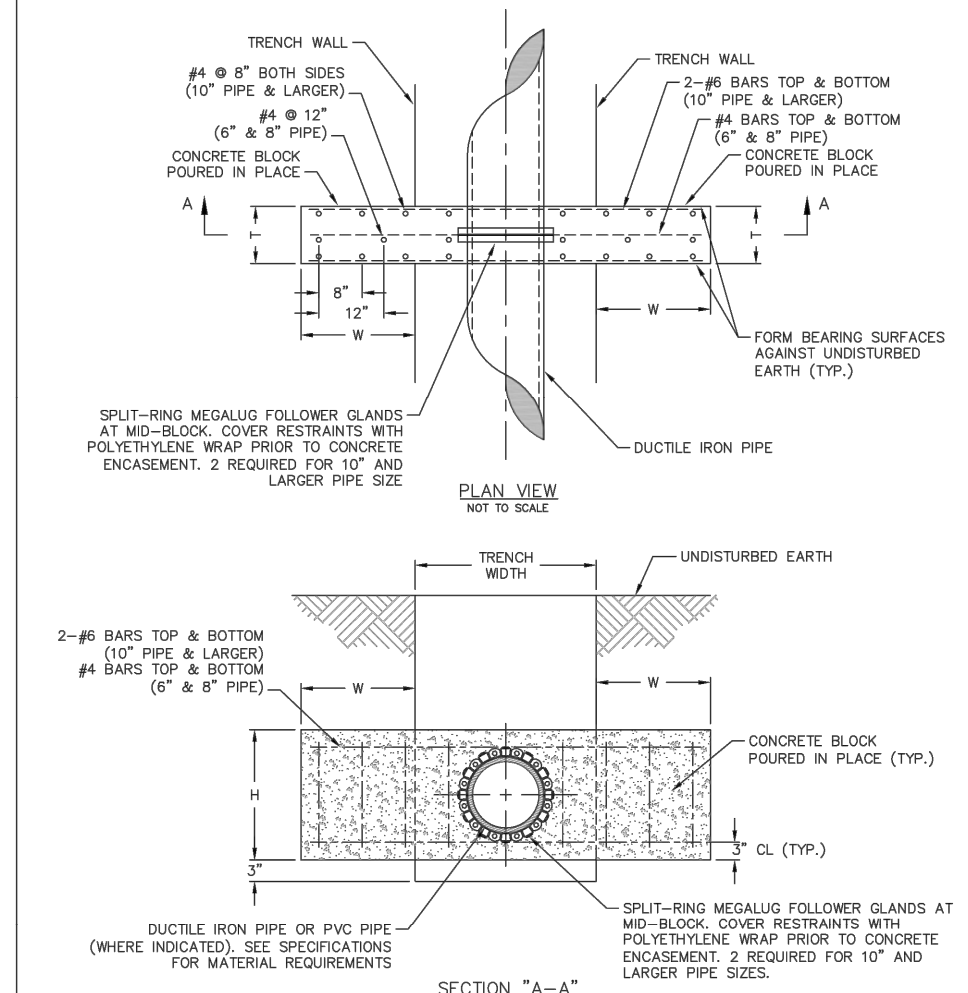
NOTE
FOR FITTINGS LARGER THAN 12", SPECIAL RESTRAINT DESIGNS ARE REQUIRED.
HORIZONTAL THRUST BLOCKING
DETAIL "C"



NOTES
1) CONSTRUCT CROSS BLOCKS AT A MINIMUM OF 15' FROM CONNECTION POINT AND 5' FROM THE BELL END OF PIPE.
2) CROSS BLOCKS SHALL BE PRE-POURED PRIOR TO SHUTDOWN AND CONNECTIONS.
CROSS BLOCK DIMENSIONS

PIPE DIA. (")	WIDTH (")	HEIGHT (")	THICKNESS (")
4	12	12	12
6	24	24	12
8	24	24	12
10	36	36	18
12	36	36	18

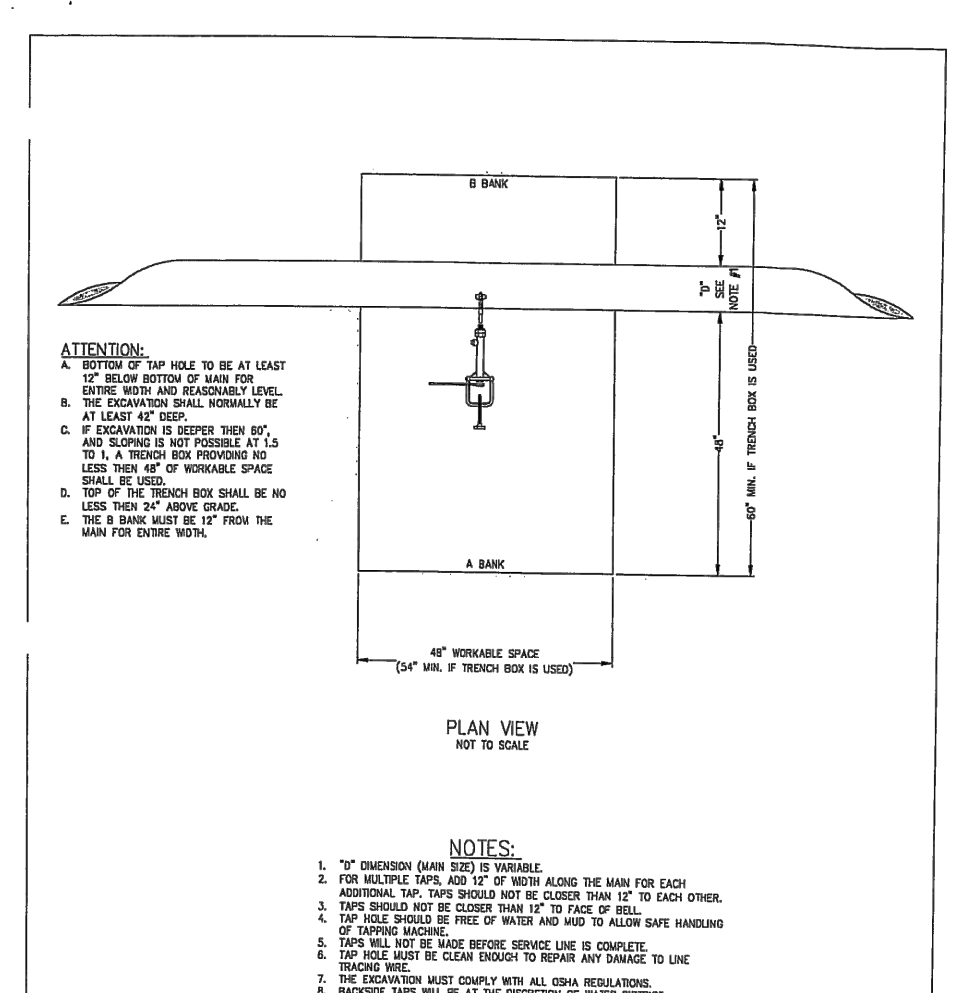
GATE VALVE DETAIL
NOT TO SCALE
DETAIL "D"



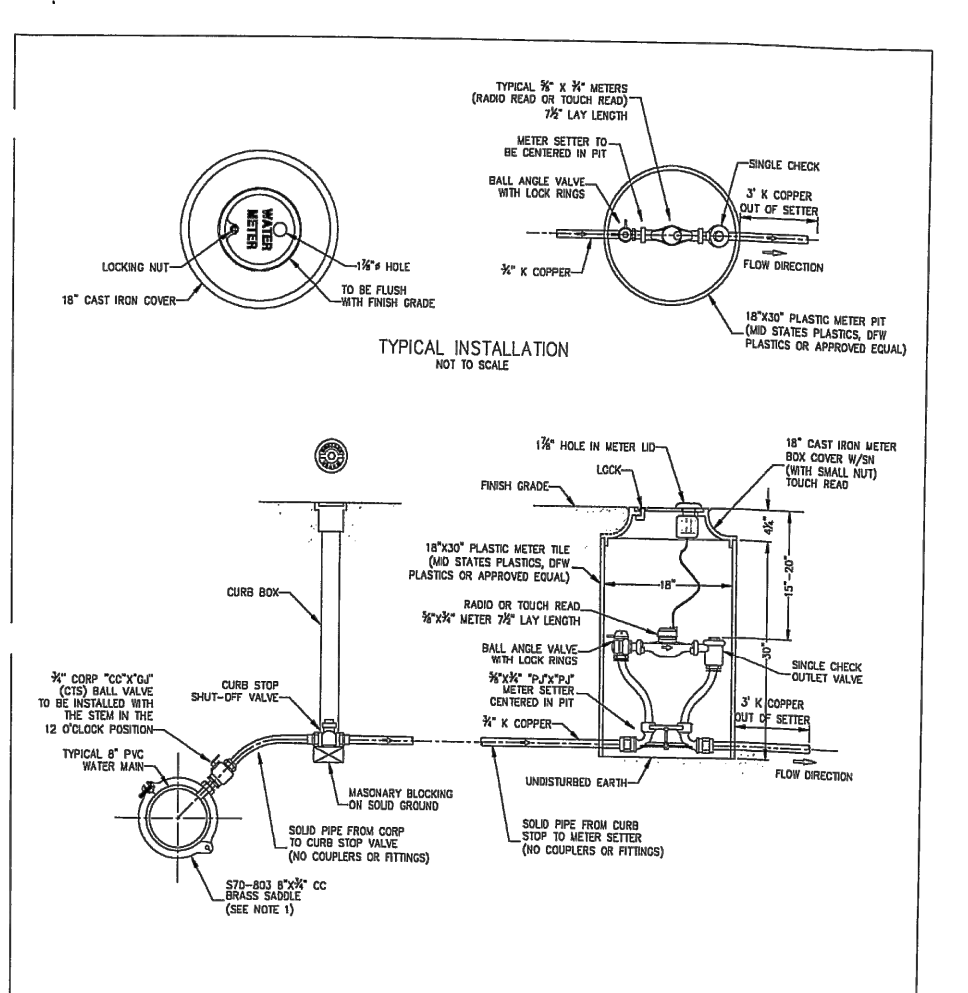
NOTES
1) CONSTRUCT CROSS BLOCKS AT A MINIMUM OF 15' FROM CONNECTION POINT AND 5' FROM THE BELL END OF PIPE.
2) CROSS BLOCKS SHALL BE PRE-POURED PRIOR TO SHUTDOWN AND CONNECTIONS.
CROSS BLOCK DIMENSIONS

PIPE DIA. (")	WIDTH (")	HEIGHT (")	THICKNESS (")
4	12	12	12
6	24	24	12
8	24	24	12
10	36	36	18
12	36	36	18

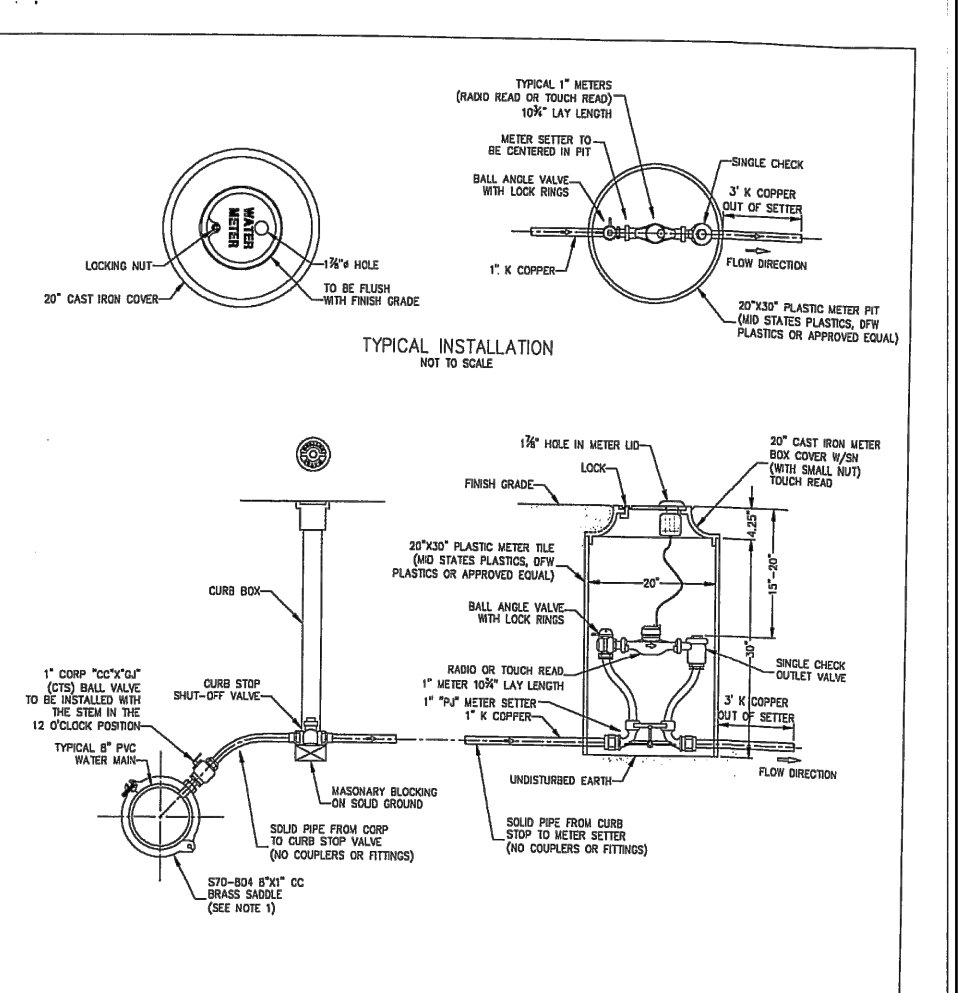
TYPICAL 3/4\"/>



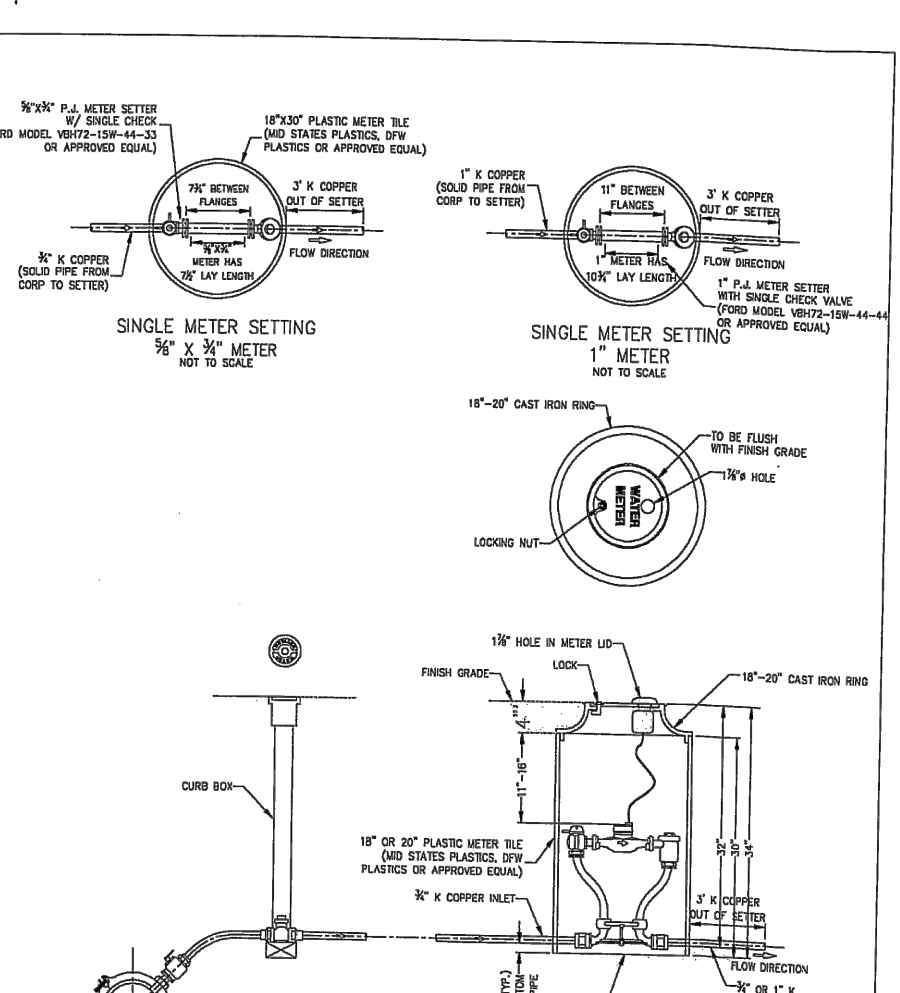
NOTES
1) 1/2\"/>



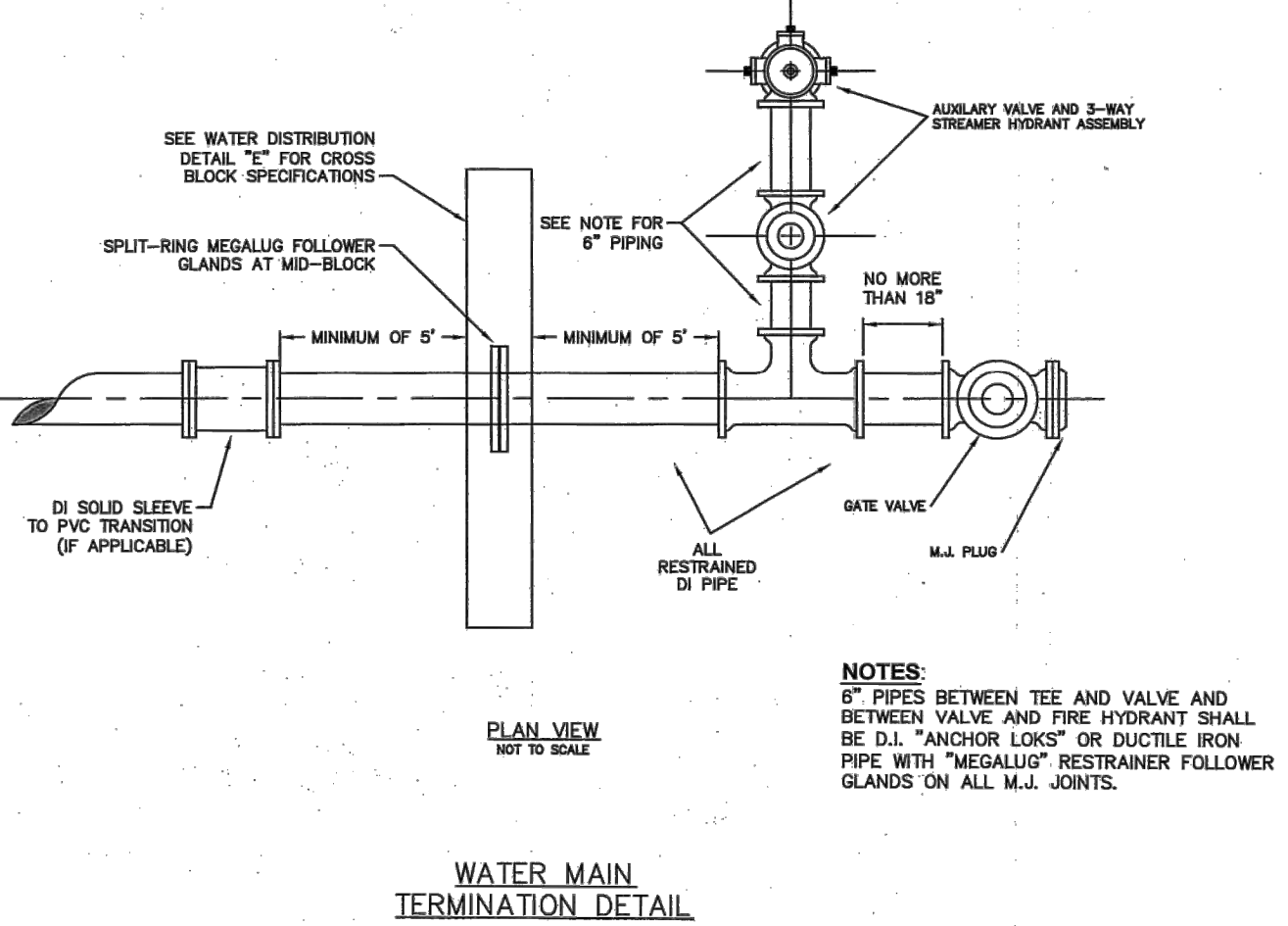
NOTES
1) 1/2\"/>



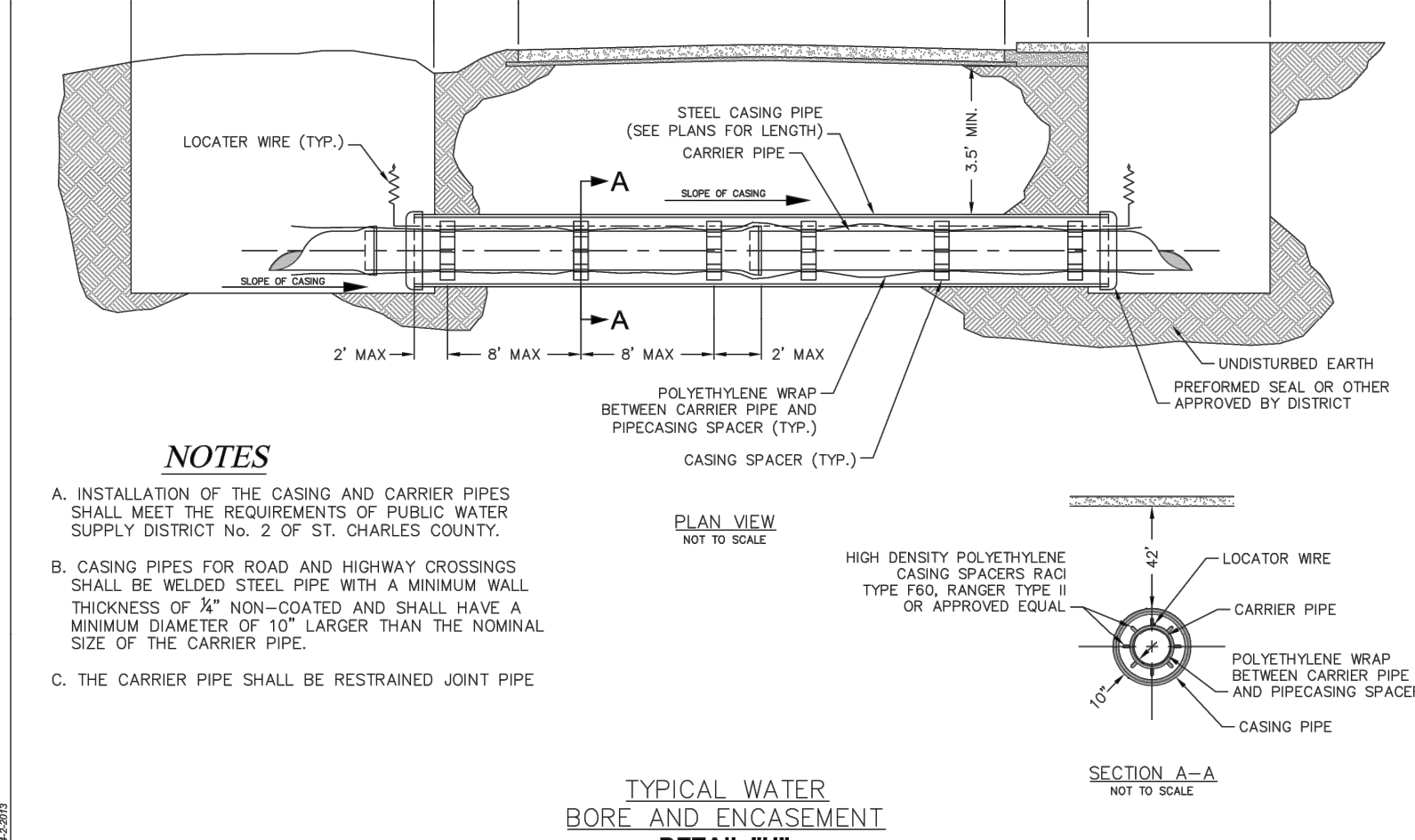
NOTES
1) 1/2\"/>



NOTES
1) 1/2\"/>



NOTES
6\"/>



NOTES
A. INSTALLATION OF THE CASING AND CARRIER PIPES SHALL MEET THE REQUIREMENTS OF PUBLIC WATER SUPPLY DISTRICT No. 2 OF ST. CHARLES COUNTY.
B. CASING PIPES FOR ROAD AND HIGHWAY CROSSINGS SHALL BE WELDED STEEL PIPE WITH A MINIMUM WALL THICKNESS OF 1/4\"/>

Drawing name: V:\20090227 Highway\Acad\dwg\Drawings\Engineering\Improvements\9227 IMP DETAILS.dwg Plotted on: May 20, 2024 - 10:25am Plotted by: jandrewhaus