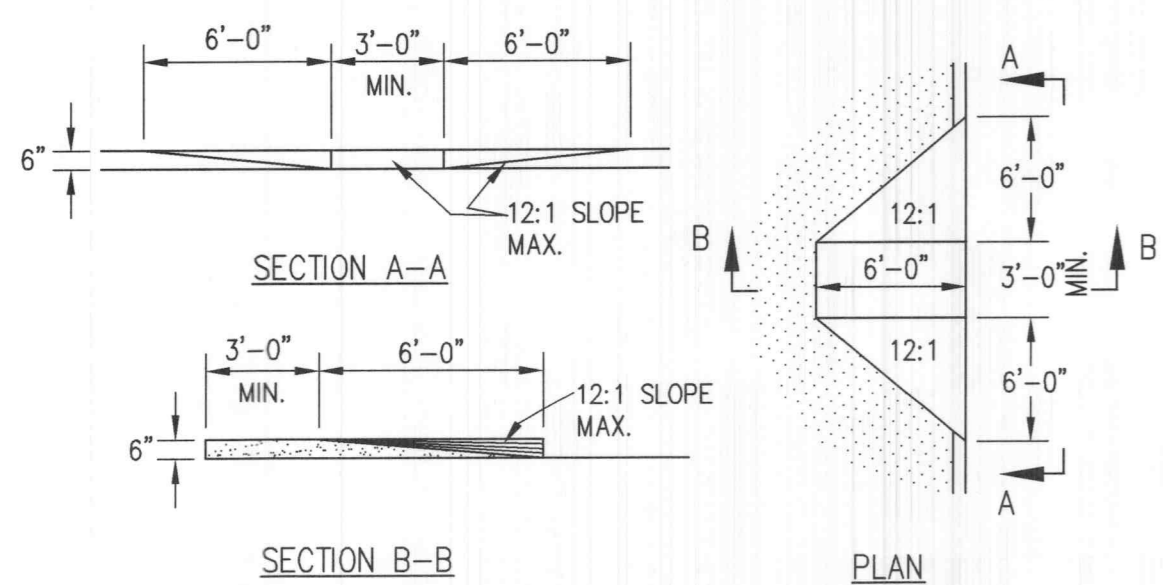
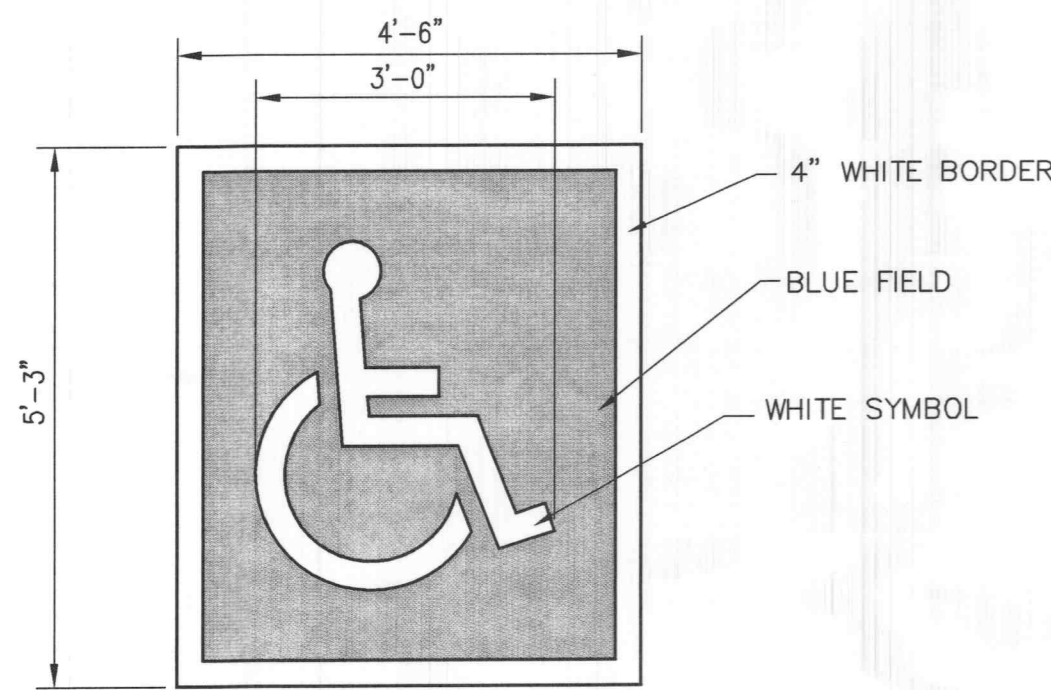


DETECTABLE WARNING AT CURB RAMP - ADA
SCALE: N.T.S.

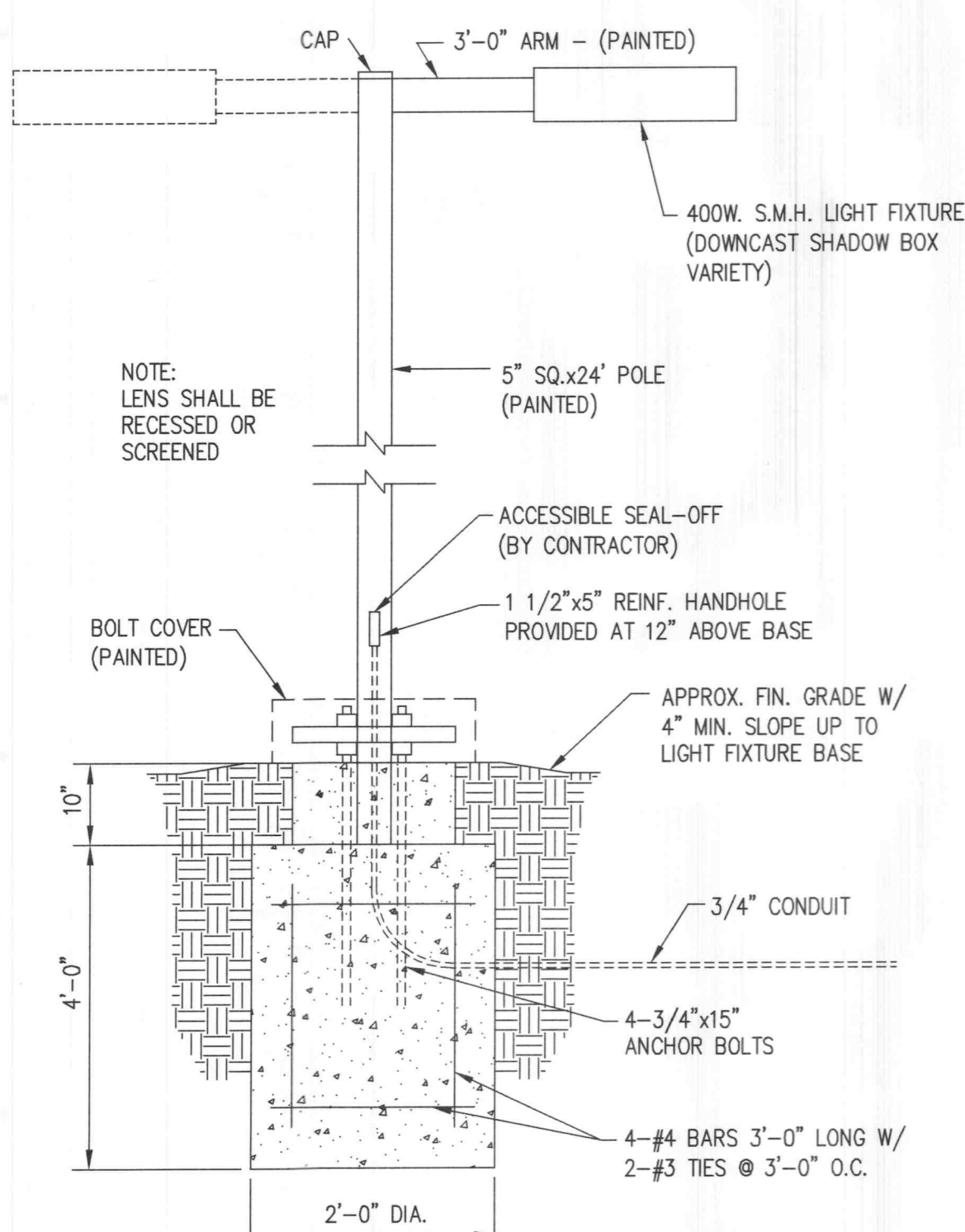


ACCESSIBLE RAMP DETAIL
SCALE: N.T.S.



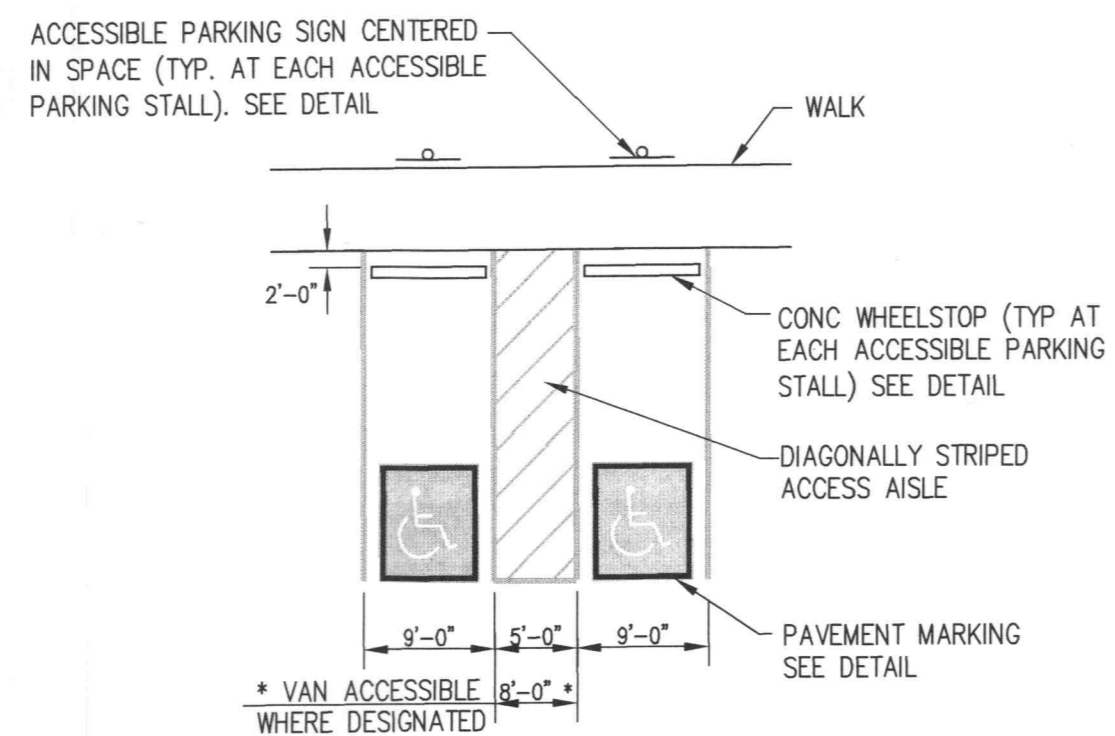
ACCESSIBLE PARKING STALL - ADA
SCALE: N.T.S.

ACCESSIBILITY SYMBOL PAVEMENT MARKING DETAIL
SCALE: N.T.S.

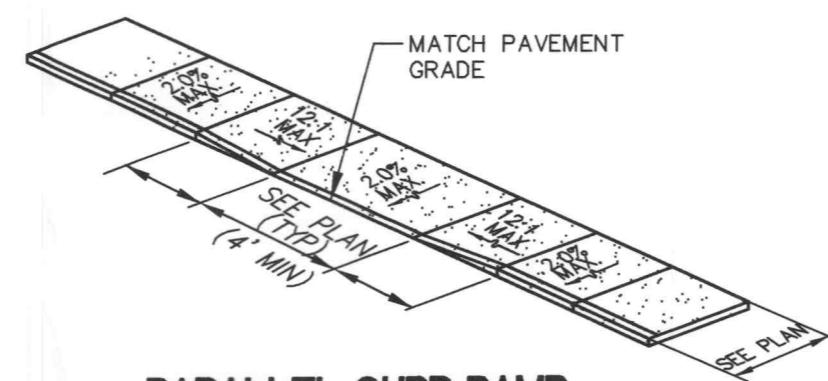


AREA LIGHT + POLE DETAIL
SCALE: N.T.S.

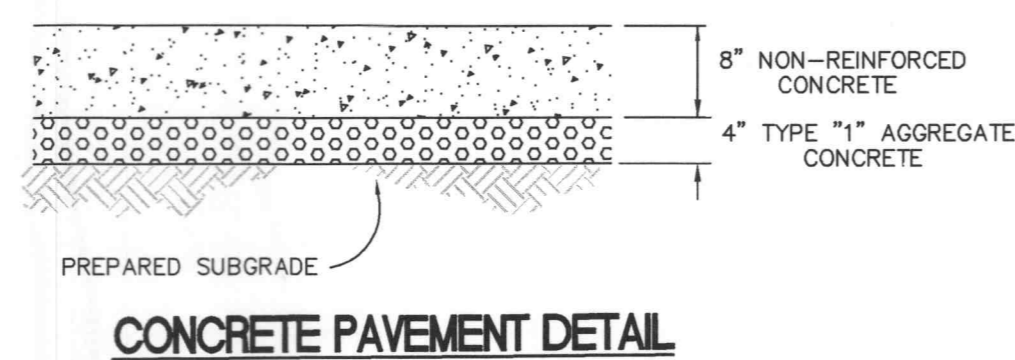
ACCESSIBLE PARKING SIGN
SCALE: N.T.S.



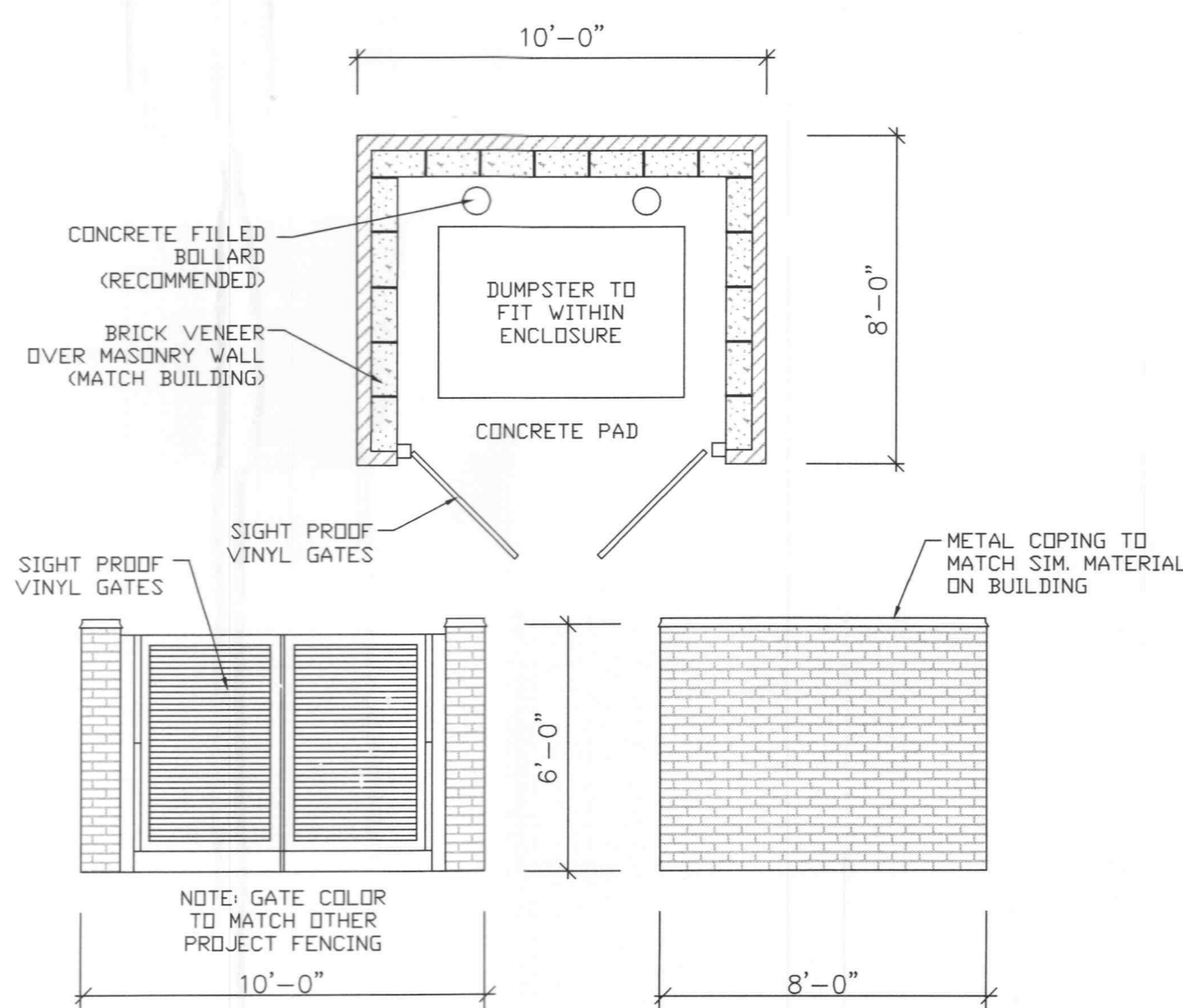
ACCESSIBLE PARKING STALL - ADA
SCALE: N.T.S.



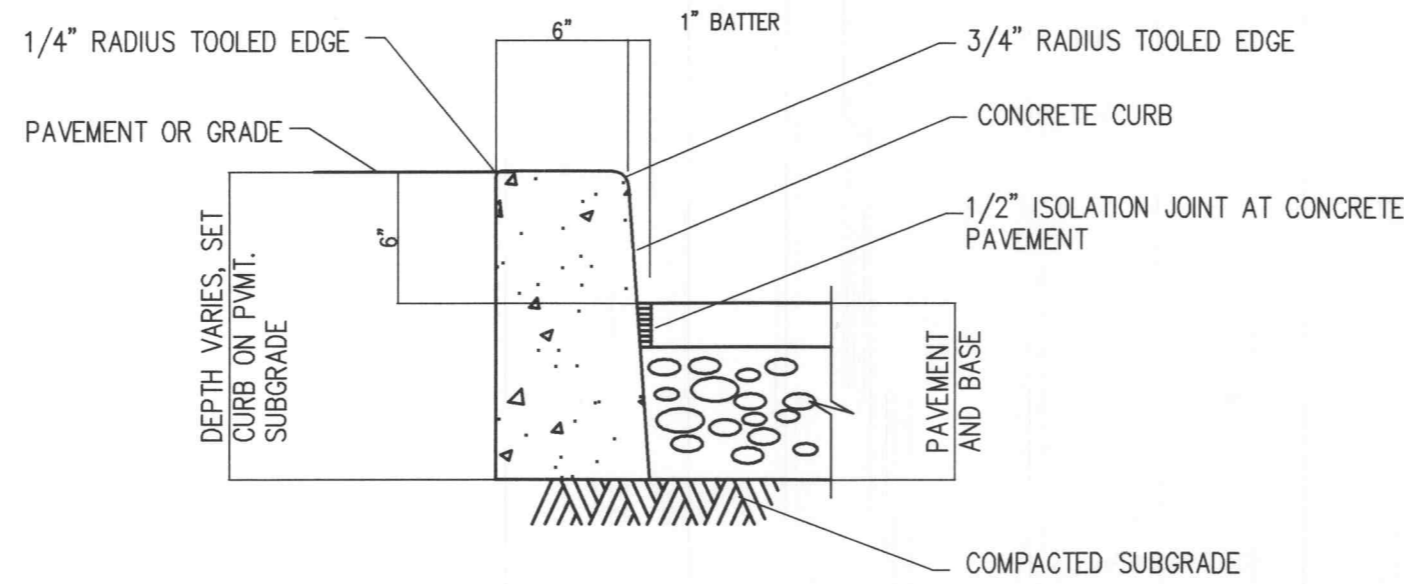
PARALLEL CURB RAMP AT ACCESSIBLE PARKING
(n.t.s.)



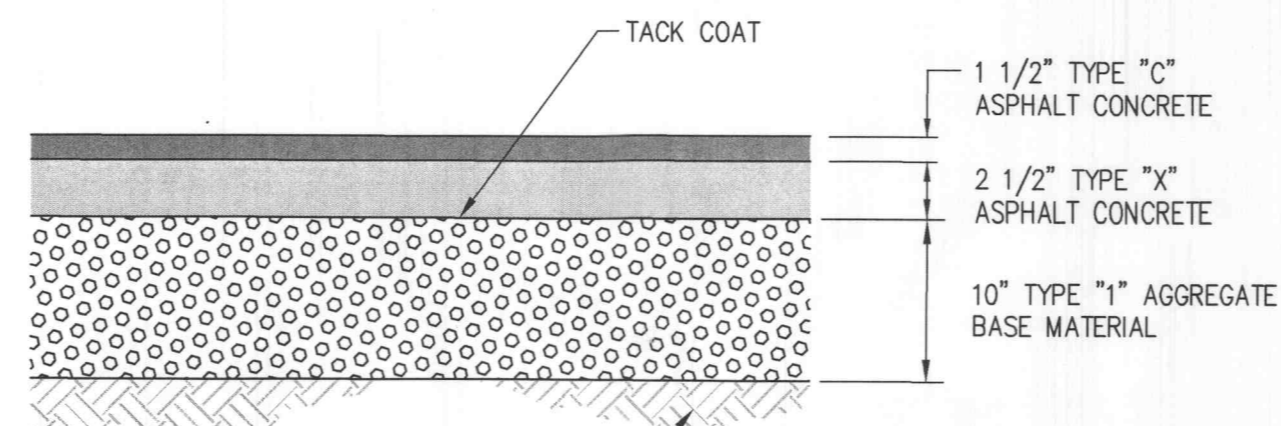
CONCRETE PAVEMENT DETAIL



TRASH ENCLOSURE
N.T.S.

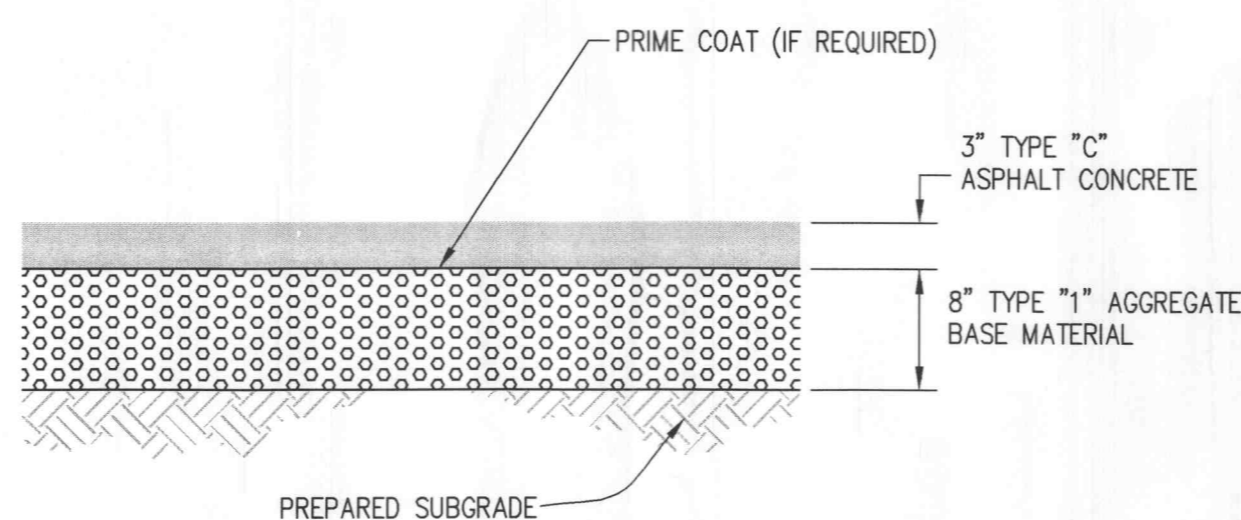


VERTICAL CURB
SCALE: N.T.S.



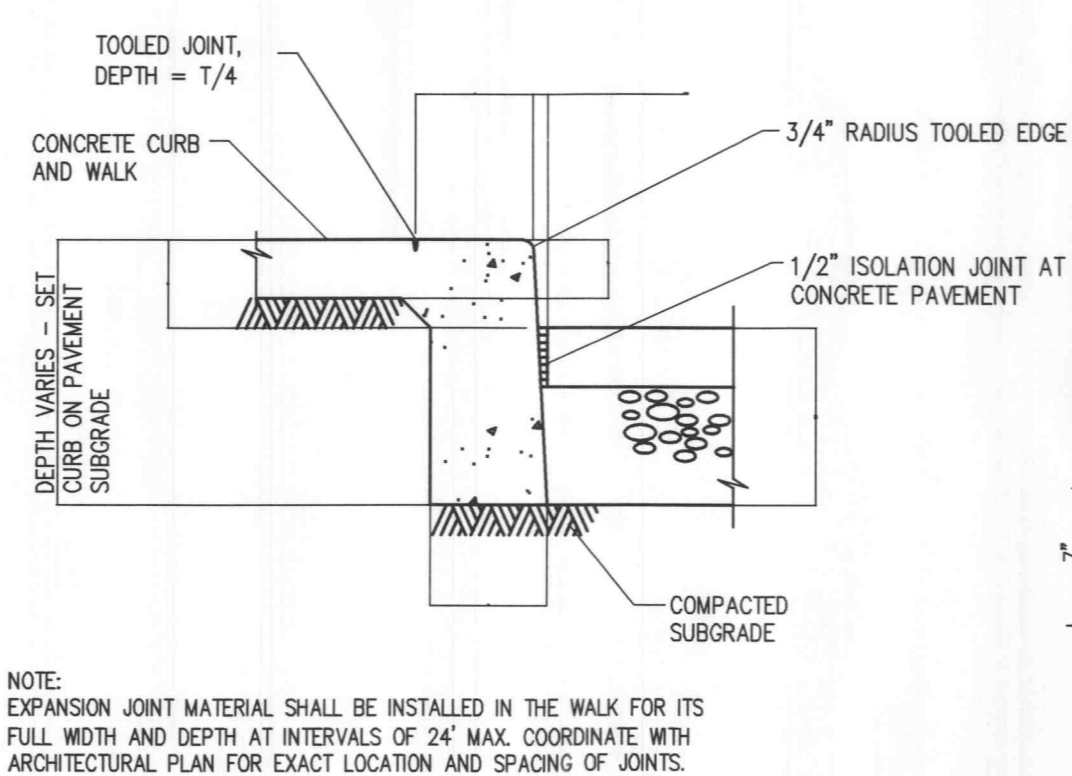
HEAVY DUTY ASPHALT PAVEMENT

(TO BE USED AT PORTIONS OF PROPOSED ENTRANCES THAT ARE IN EXISTING HEVY DUTY PAVEMENT SECTIONS)

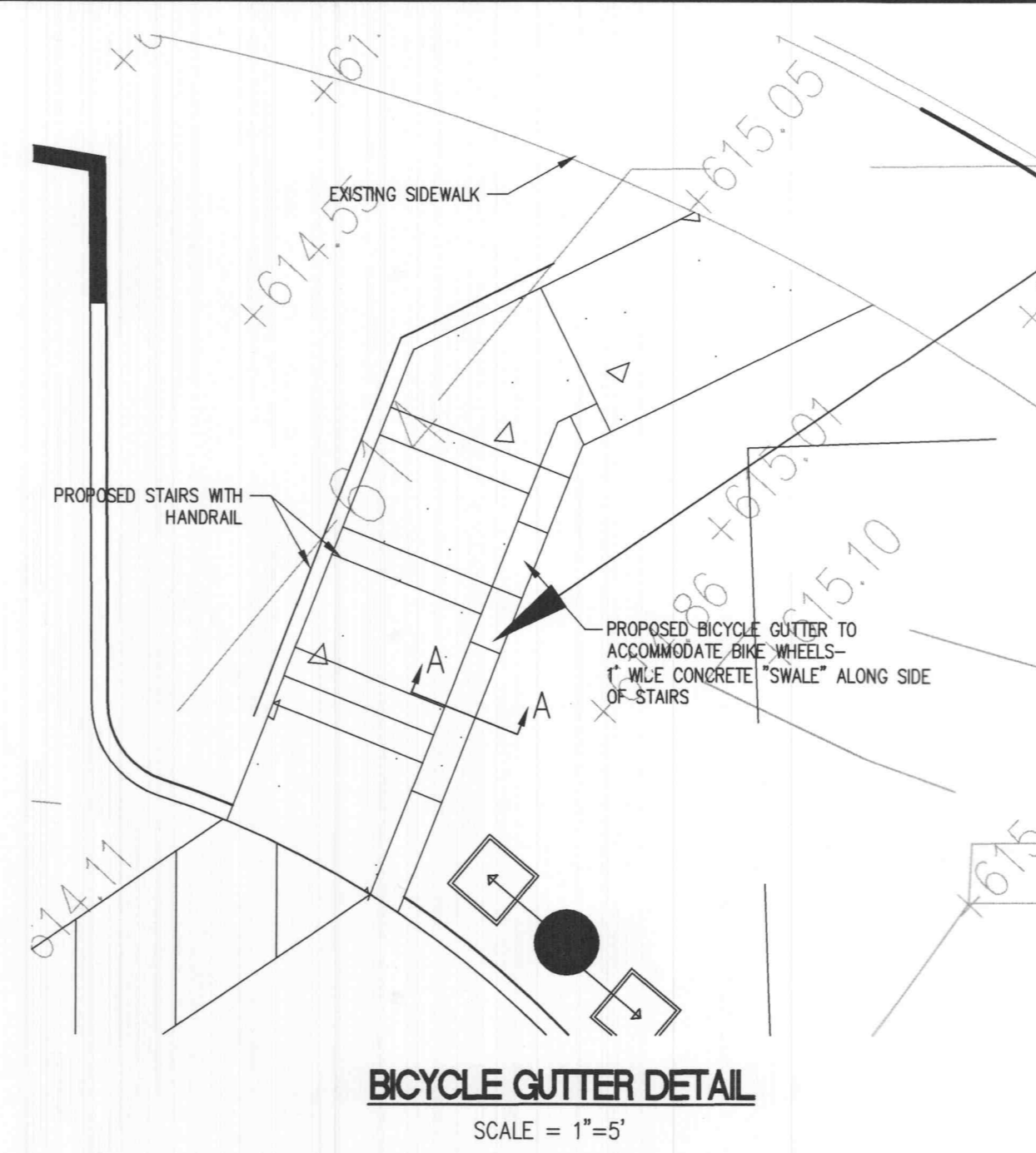


LIGHT DUTY ASPHALT PAVEMENT

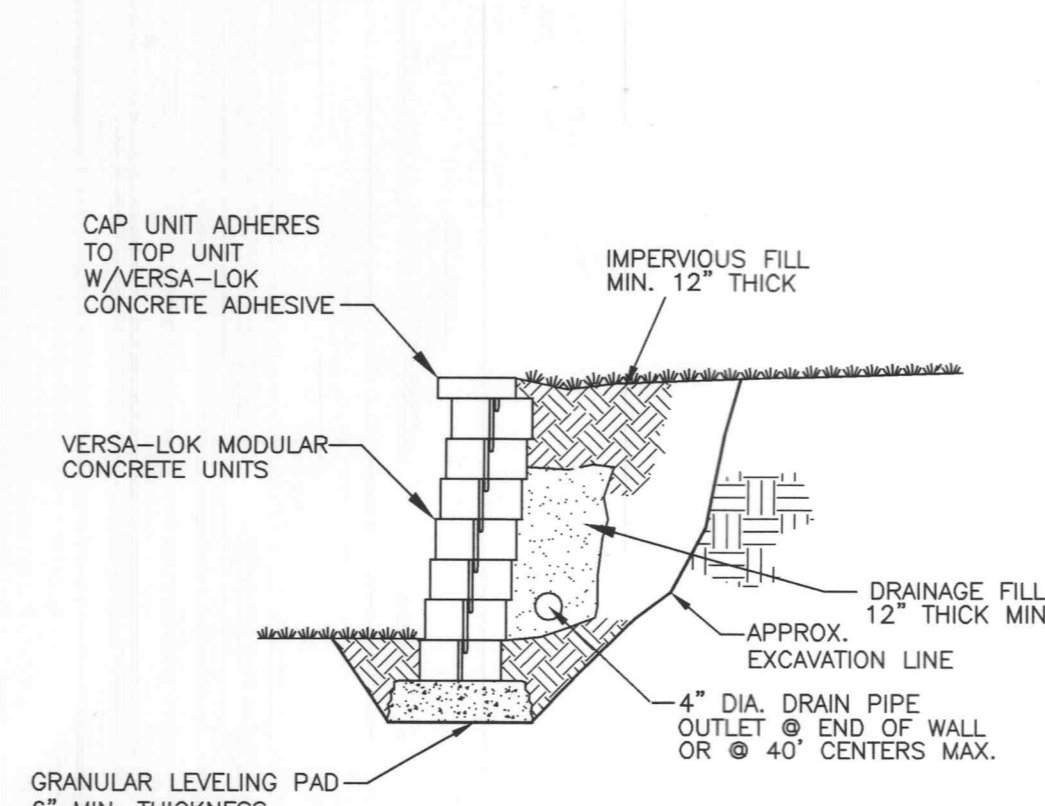
NOTE: PAVEMENT SECTIONS ARE SUBJECT TO VERIFICATION BY GEOTECHNICAL ENGINEER



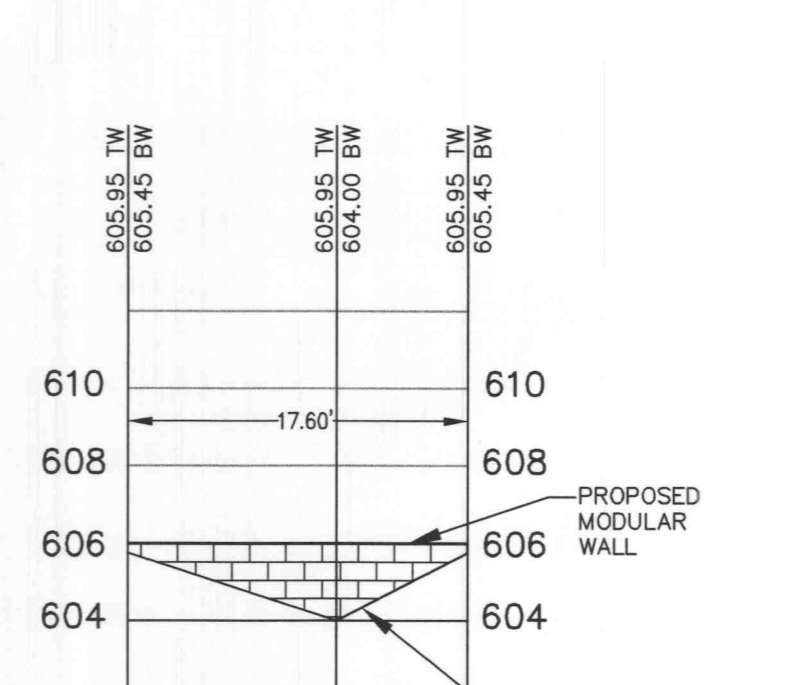
CONCRETE SIDEWALK AND CURB
SCALE: N.T.S.



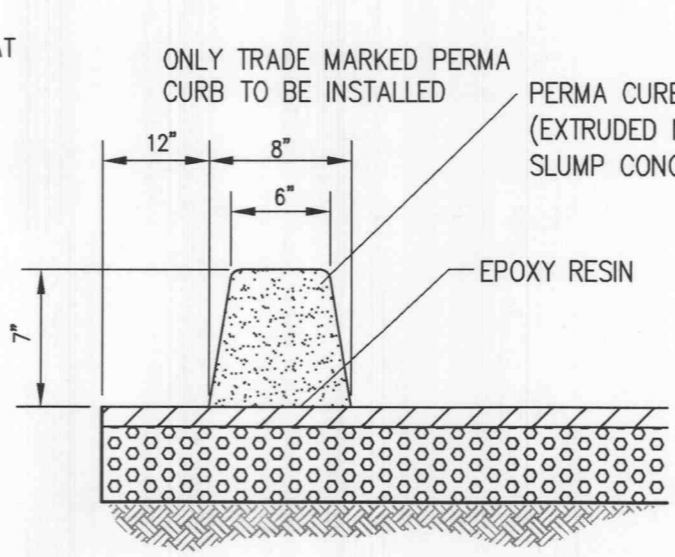
BICYCLE GUTTER DETAIL
SCALE: 1\"/>



TYPICAL SECTION - UNREINFORCED RETAINING WALL
SCALE: NONE



RETAINING WALL PROFILE
(NEAR TRASH ENCLOSURE)
HORIZONTAL SCALE: 1\"/>



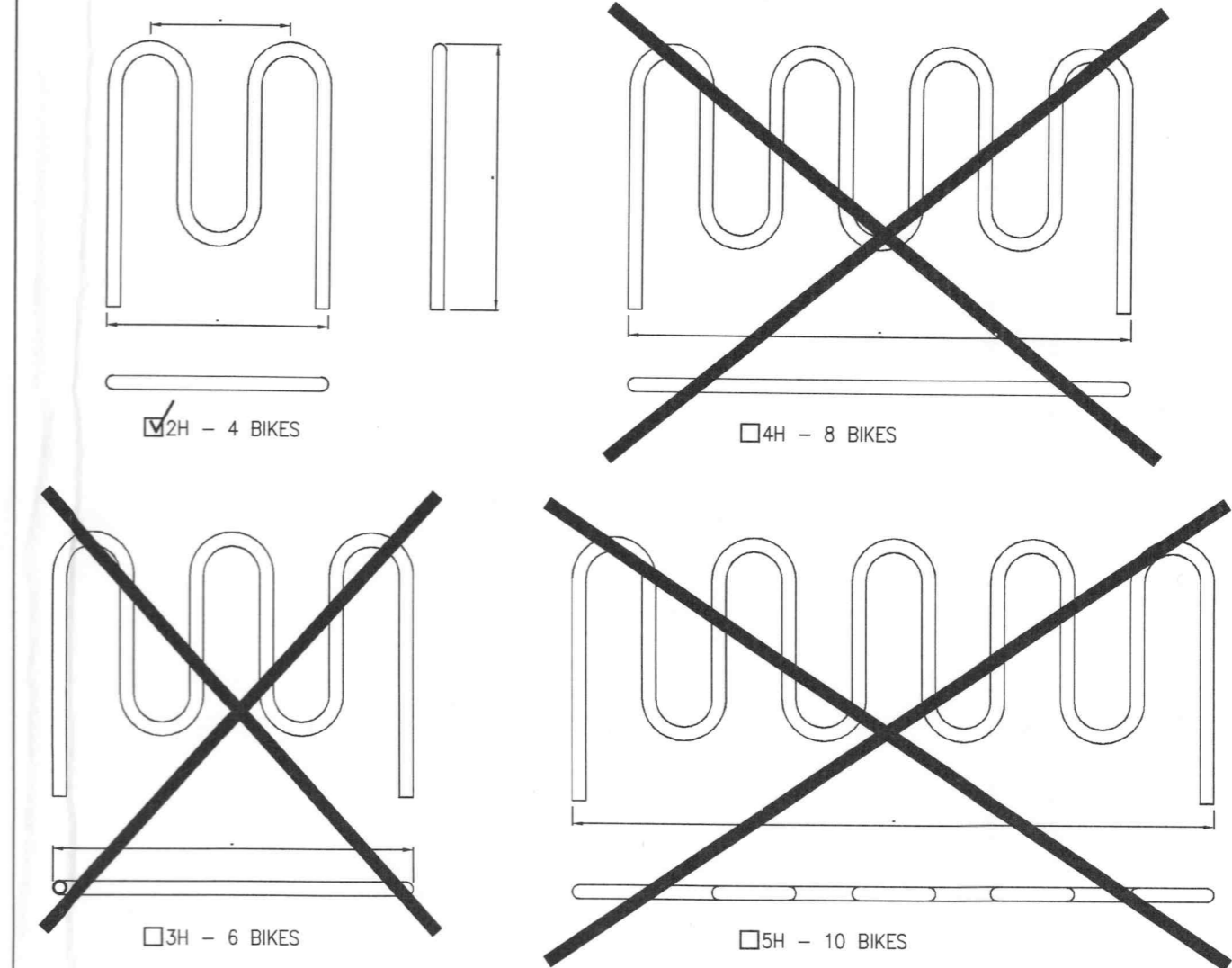
PERMA CURB DETAIL
SCALE: N.T.S.



DERO BIKE RACKS, INC.
221 ARTHUR AVE. SE
MINNEAPOLIS, MN 55414
1-888-337-6729
PHONE: (612) 359-0689
FAX: (612) 331-2731
www.dero.com

SELECT DESIRED MOUNT
 FOOT MOUNT
 IN-GROUND MOUNT

SELECT DESIRED UNIT



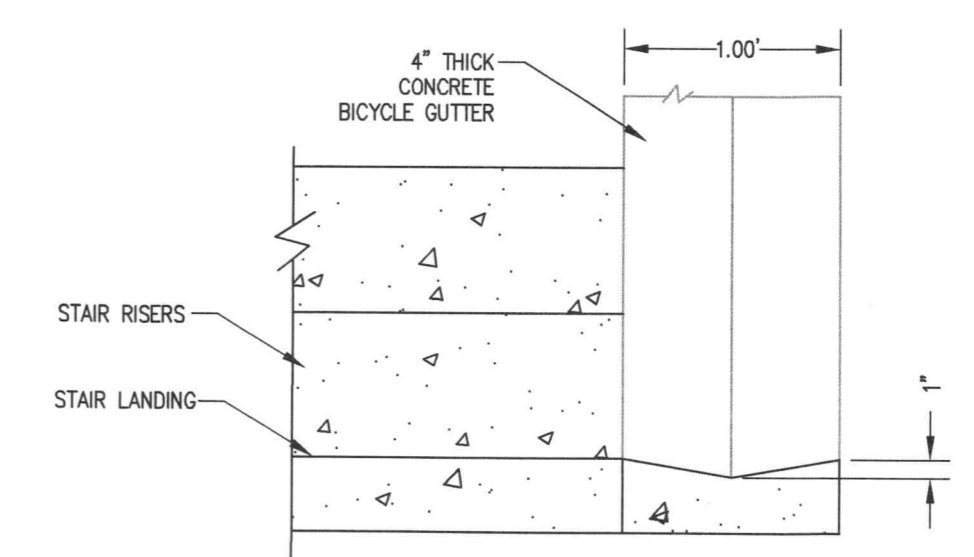
NOTES:
1. INSTALLATION TO BE COMPLETED IN ACCORDANCE WITH MANUFACTURER'S SPECIFICATIONS.
2. DO NOT SCALE DRAWINGS.
3. CONTRACTORS NOTE: FOR PRODUCT AND PURCHASING INFORMATION VISIT www.PROJECTmarketsite.com
REFERENCE NUMBER 118-003

DERO ROLLING RACK
2H, 3H, 4H AND 5H

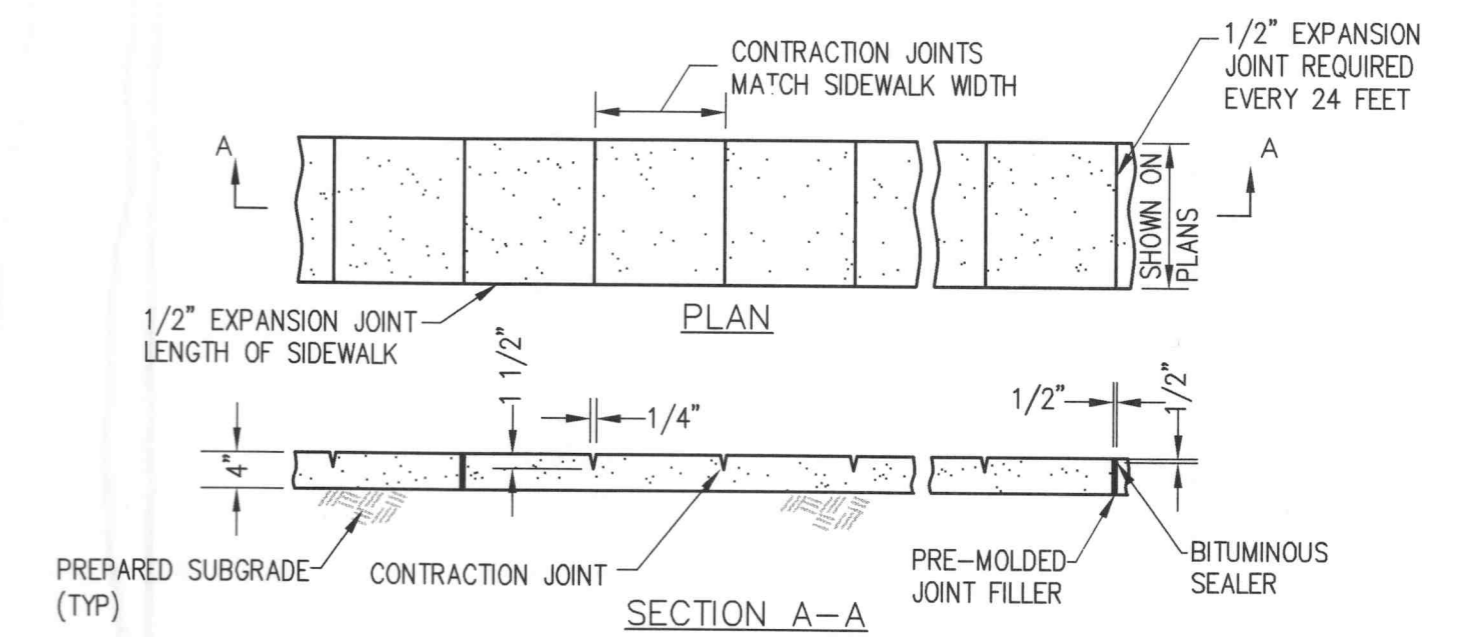
PROTECTED BY COPYRIGHT - 118-003 03/18/03

www.caddetails.com

BIKE RACK DETAIL
SCALE: N.T.S.



SECTION A-A
SCALE: N.T.S.

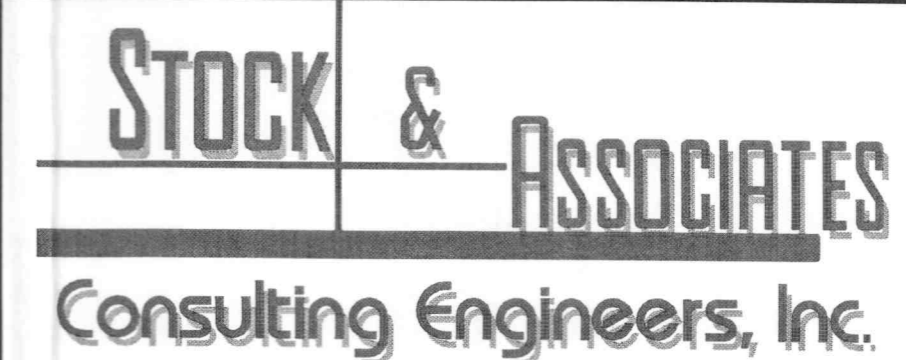


CONCRETE SIDEWALK DETAIL
(n.t.s.)

- ▲ 02-08-07 ADDED WATER LINE EXHIBITS TO SHEET C5
- ▲ 01-22-07 REVISED GRADES AND WATER LINE AT NORTHEAST CORNER
- ▲ 10-09-06 RELOCATED LIGHT FIXTURES
- ▲ 06-28-06 REVISED PER CITY COMMENTS DATED 6-15-06
- ▲ 05-31-06 REVISED PER CITY COMMENTS FROM PLANNING AND ZONING MEETING ON 5-18-06
- ▲ 03-16-06 REVISED PER CITY COMMENTS-ADDED PEDESTRIAN ACCESS WALK/STAIR NEAR MONUMENT SIGN
- ▲ 02-09-06 ADDENDUM #1 COORDINATION-REVISED WATER LINE, ROOF DRAIN, SPOT ELEVATIONS
- ▲ 02-06-06 BID SET
- ▲ 01-23-06 REVISED BUILDING FOOTPRINT PER ARCHITECT
- ▲ 11-18-05 REVISED PER CITY COMMENT LETTER DATED 10-19-05

SITE IMPROVEMENT DETAILS

TERRA RETAIL DEVELOPMENT/HEARTLAND BANK



257 Chesterfield Business Parkway
St. Louis, MO 63005
PH. (636) 530-9100
FAX (636) 530-9130
e-mail: general@stockassoc.com
Web: www.stockassoc.com

P&Z NOS: 98-126.06



2-08-07
GEORGE M. STOCK E-25116

DRAWN BY: J.P.P. DATE: 9/27/05 CHECKED BY: G.M.S. DATE: 9/27/05 DATE: JOB NUMBER: 205-3584 SHEET: C8 of 12