

PRECAST CONCRETE STORMWATER STRUCTURES

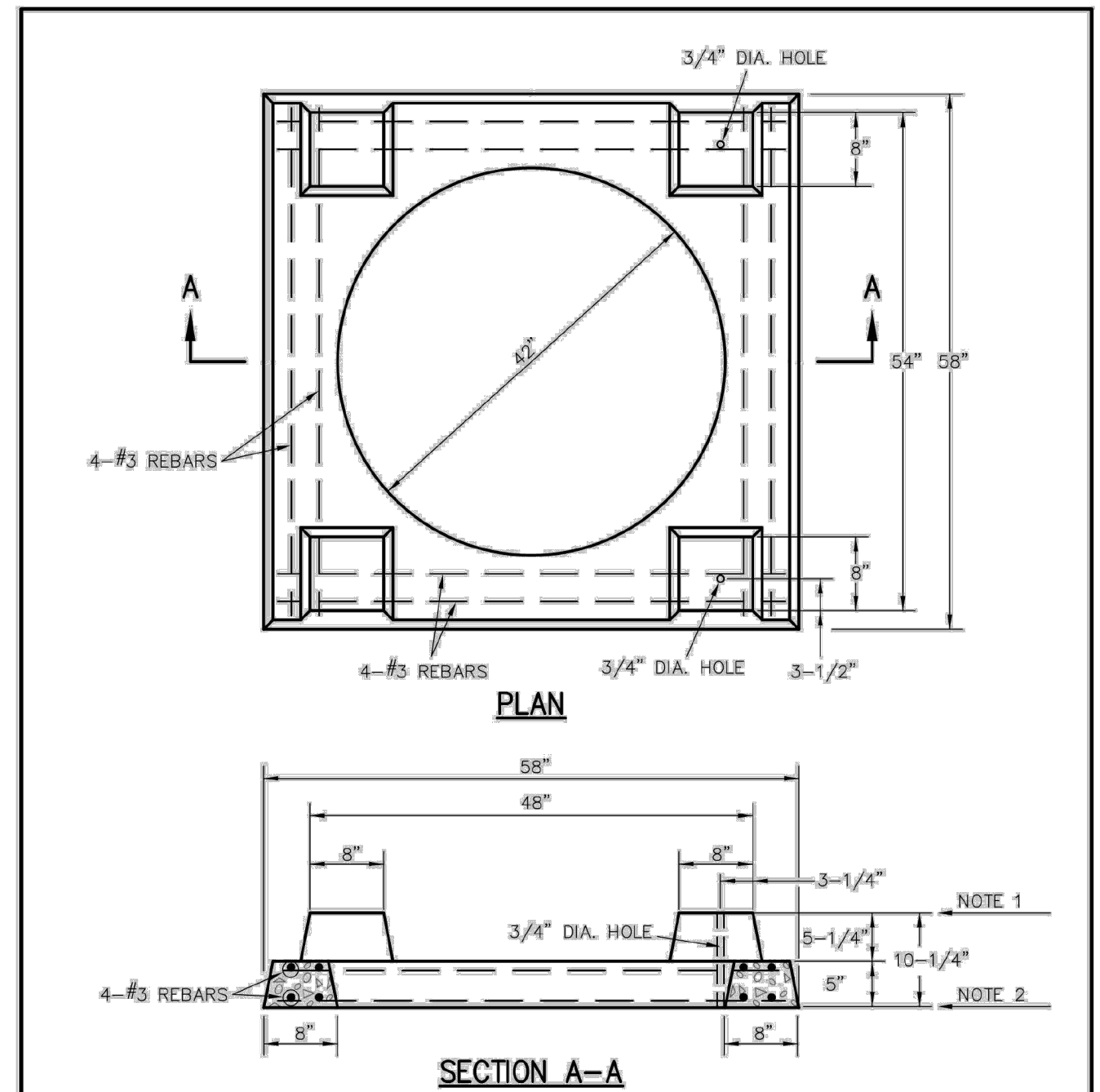
MINIMUM DISTANCE FLOWLINE TO TOP OF STONE OR GRATE

PIPE I.D. NOMINAL INCHES	AREA INLET CIRCULAR BASE DIA.			(2) GRATE INLET CIRCULAR BASE DIA. SQUARE (MAX.)			SINGLE STREET INLET CIRCULAR BASE DIA. RECTANGLE (MAX.)			
	42"	48"	60"	42"	48"	60"	42"	48"	60"	
12"	45"			38"			31"	48"		41"
15"	48"			41"			34"	51"		44"
18"	52"			44"			37"	55"		48"
21"	55"			47"			40"	58"		51"
24"		58"			51"		44"		61"	54"
27"			78"			71"	NA			81"
30"							74"	NA		85"
33"							77"	NA		88"

(SEE SHEET 34 FOR DETAIL) (SEE SHEET 35 FOR DETAIL) (SEE SHEET 36 FOR DETAIL)

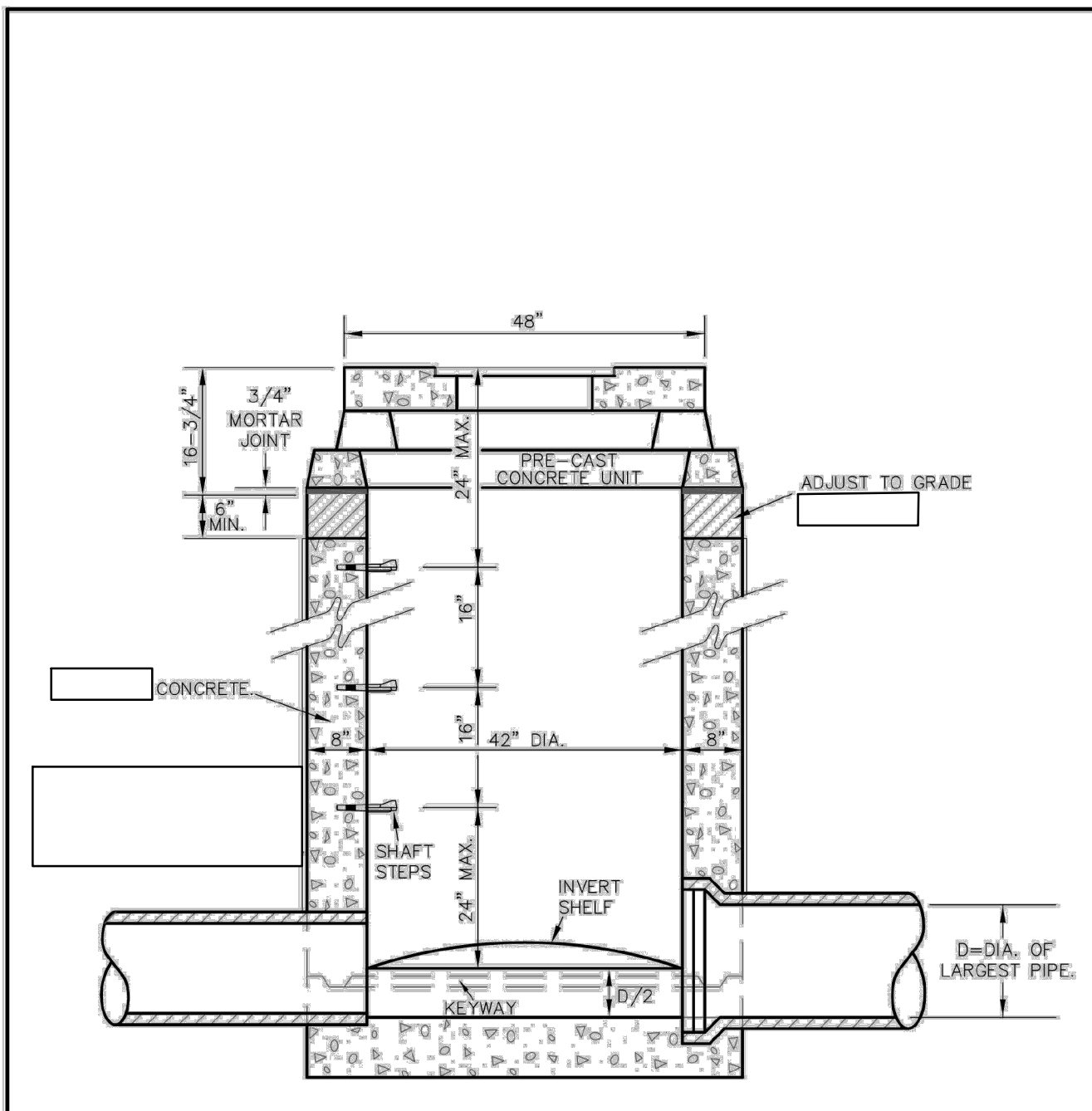
- NOTES:
- 1) 48" DIAMETER BASE REQUIRES 7" HIGH TRANSITION SECTION TO 42" DIAMETER, SIMILAR TO "ADAPTER RING" SHEET 34.
 - 2) 60" DIAMETER BASE REQUIRES 24" HIGH ECCENTRIC REDUCER TRANSITION TO 42" DIAMETER, SIMILAR TO "ADAPTER RING" SHEET 34.
 - 3) STANDARD DEPTH = 3" + PIPE DIAMETER.

PRECAST CONCRETE STORMWATER STRUCTURES	METROPOLITAN ST. LOUIS SEWER DISTRICT Standard Details of Sewer Construction			
	Dr. J.L.G./SAM Ch. J.C.K.	2009	SHEET 33	



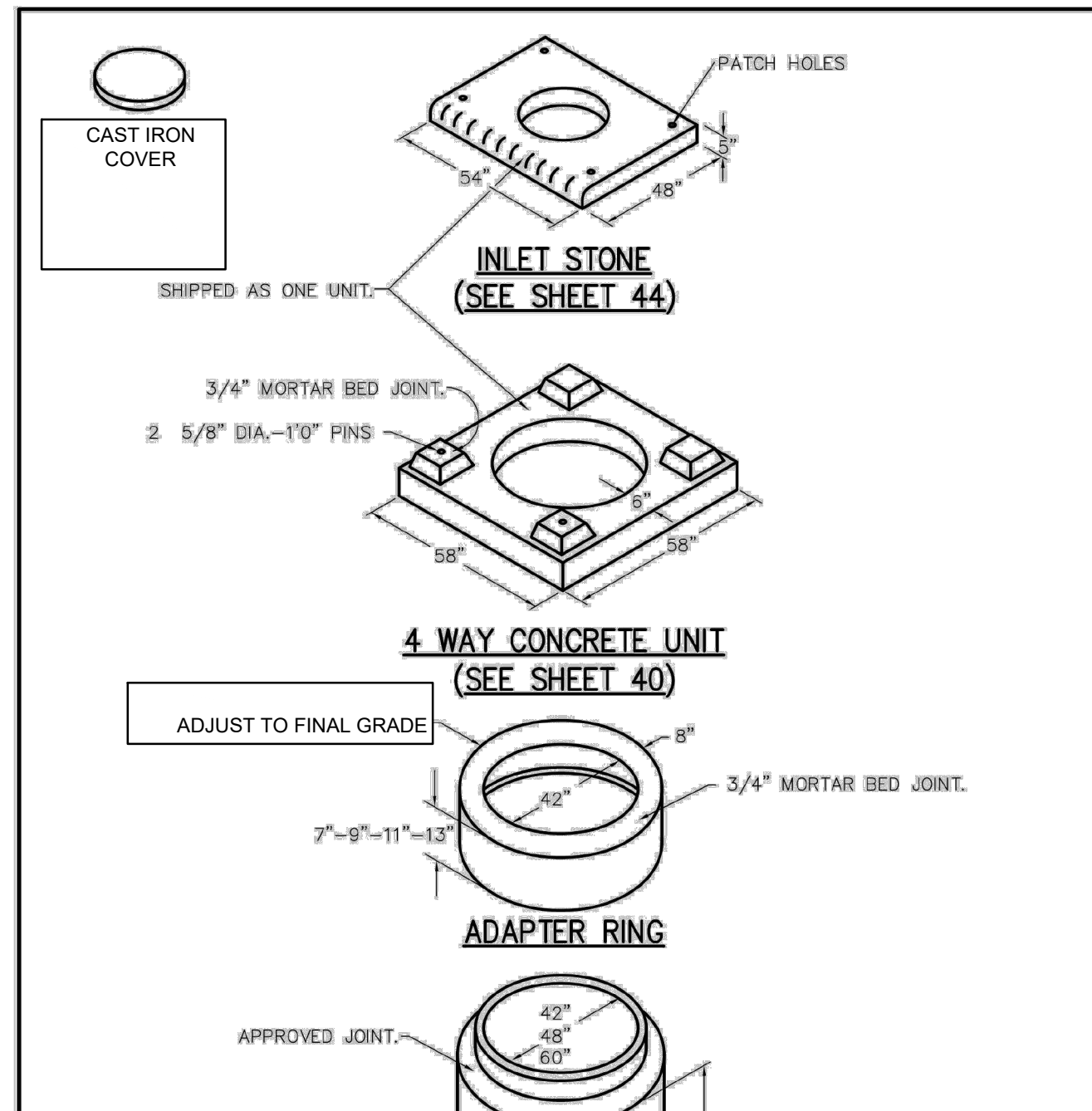
- NOTES:
- 1) SET STANDARD INLET STONE IN 3/4" MORTAR BED AND DOWEL WITH 5/8" DIA., 1'-0" LONG PINS AND GROUT.
 - 2) RAISE TO FINAL GRADE WITH COURSES OF BRICK AND SET THE UNIT TO BASE WITH 3/4" MORTAR BED.
 - 3) THIS UNIT TO BE USED WITH 42 INCH LB. BASE.
 - 4) 5000 P.S.I. CONCRETE IS REQUIRED.

PRECAST CONCRETE UNIT FOR 4 WAY AREA INLET	METROPOLITAN ST. LOUIS SEWER DISTRICT Standard Details of Sewer Construction			
	Dr. D.A.B./SAM Ch. J.C.K.	2009	SHEET 40	



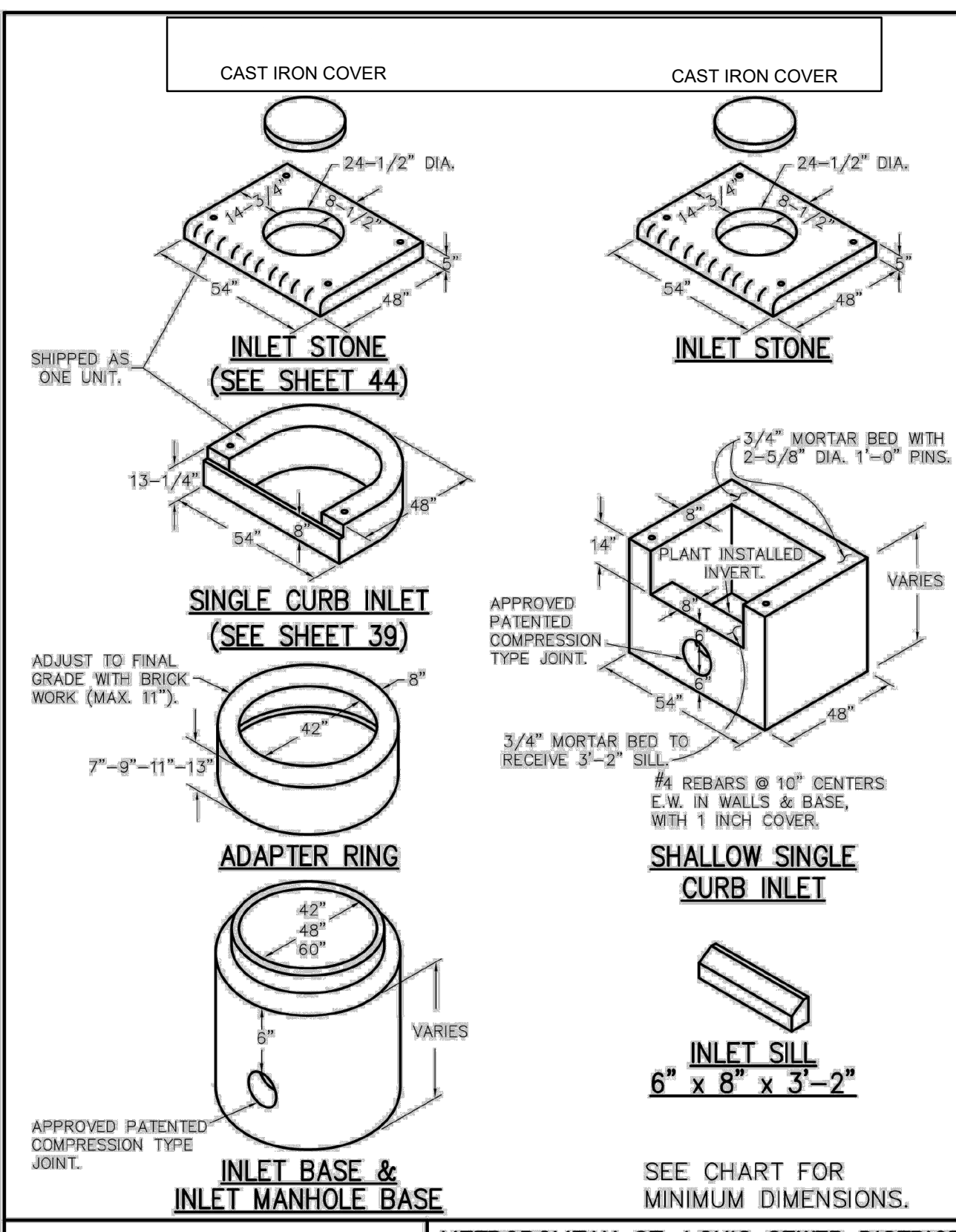
- NOTE:
FOR SEWERS 27 INCH THRU 42 INCH SEE DETAIL SHEET 11 FOR BOTTOM SECTION.

AREA INLET MANHOLE (12" THRU 24")	METROPOLITAN ST. LOUIS SEWER DISTRICT Standard Details of Sewer Construction			
	Dr. R.G.W./SAM Ch. J.C.K.	2009	SHEET 29	

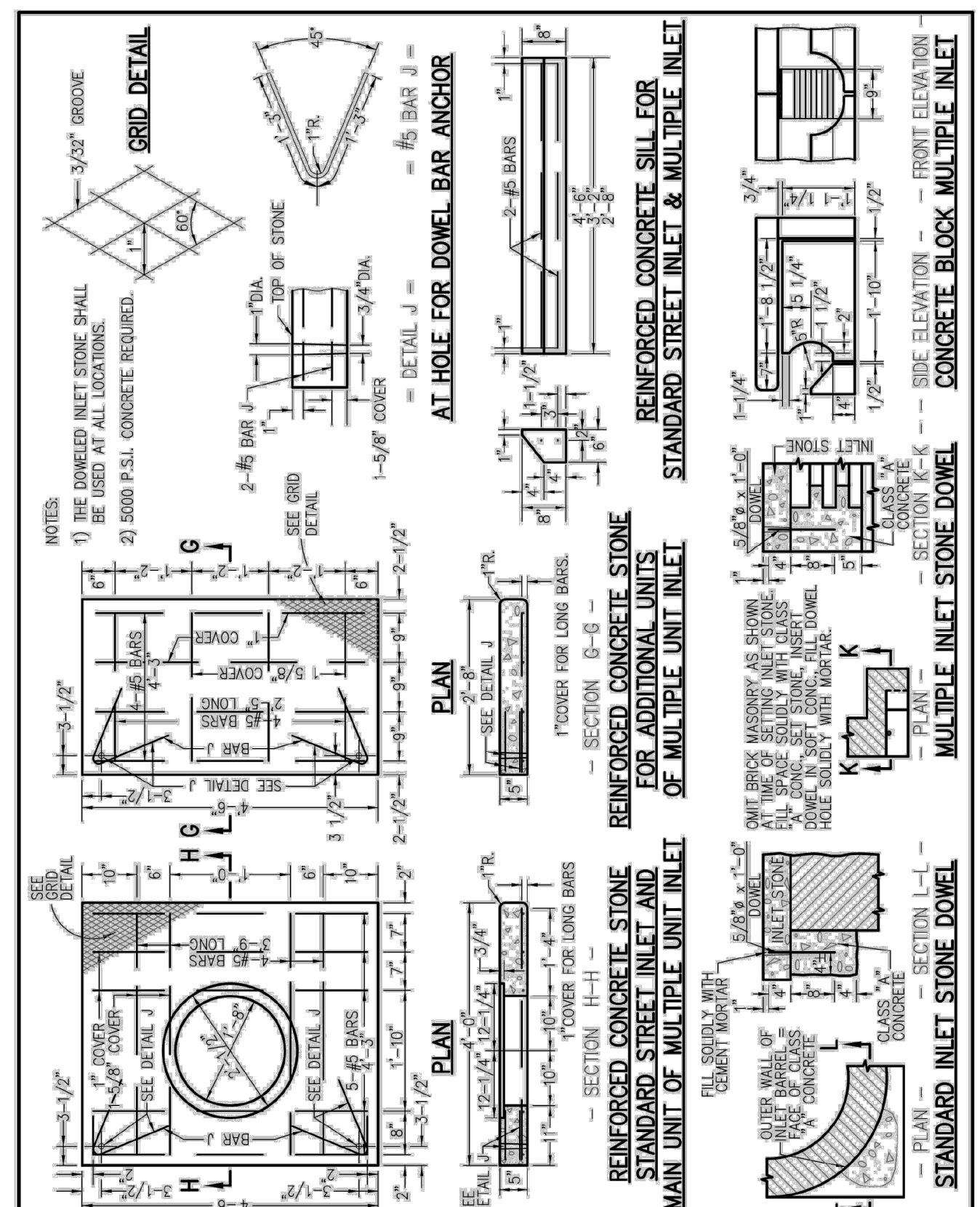


- SEE CHART FOR MINIMUM DIMENSIONS.

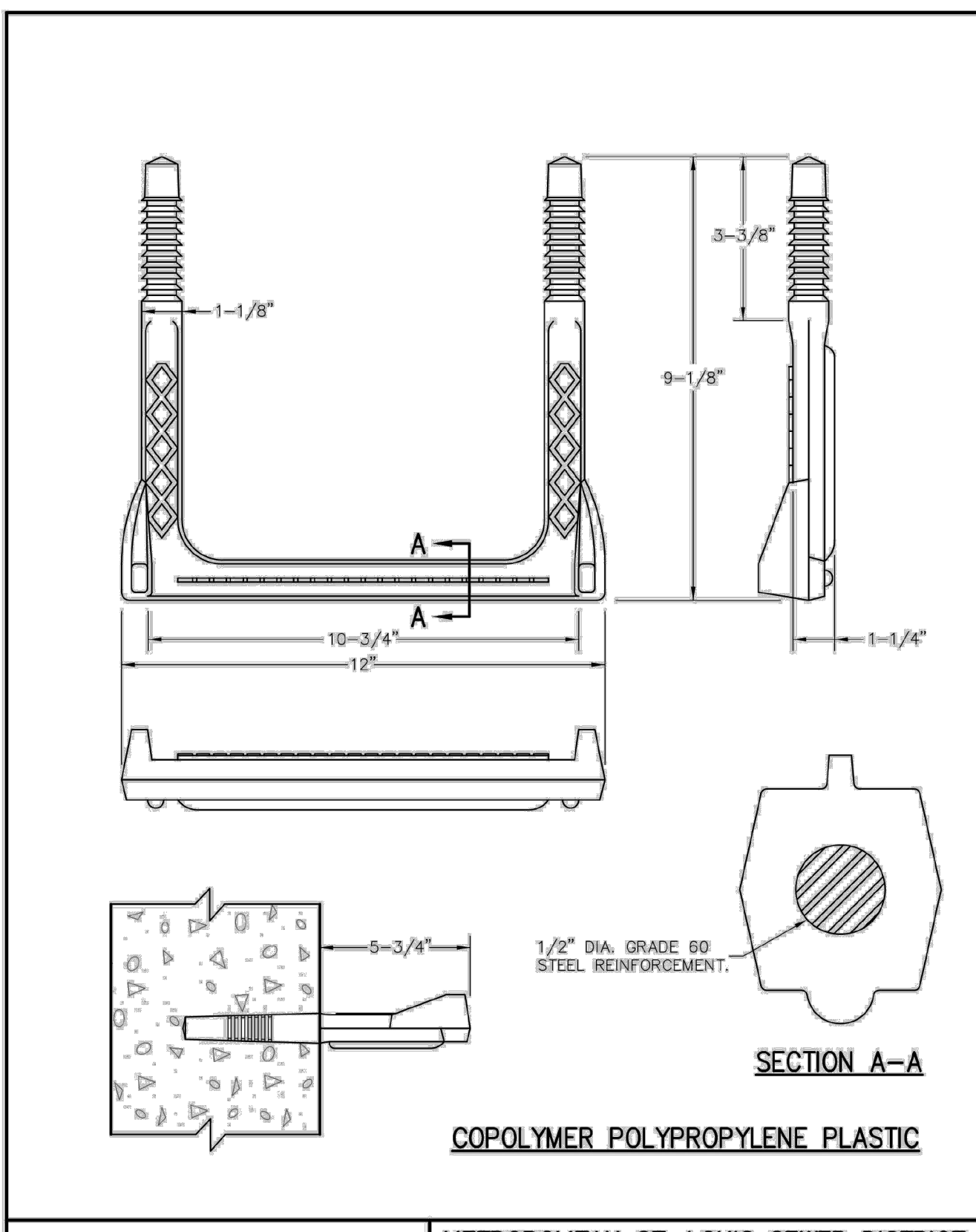
AREA INLET PRECAST CONCRETE	METROPOLITAN ST. LOUIS SEWER DISTRICT Standard Details of Sewer Construction			
	Dr. J.L.G./SAM Ch. J.C.K.	2009	SHEET 34	



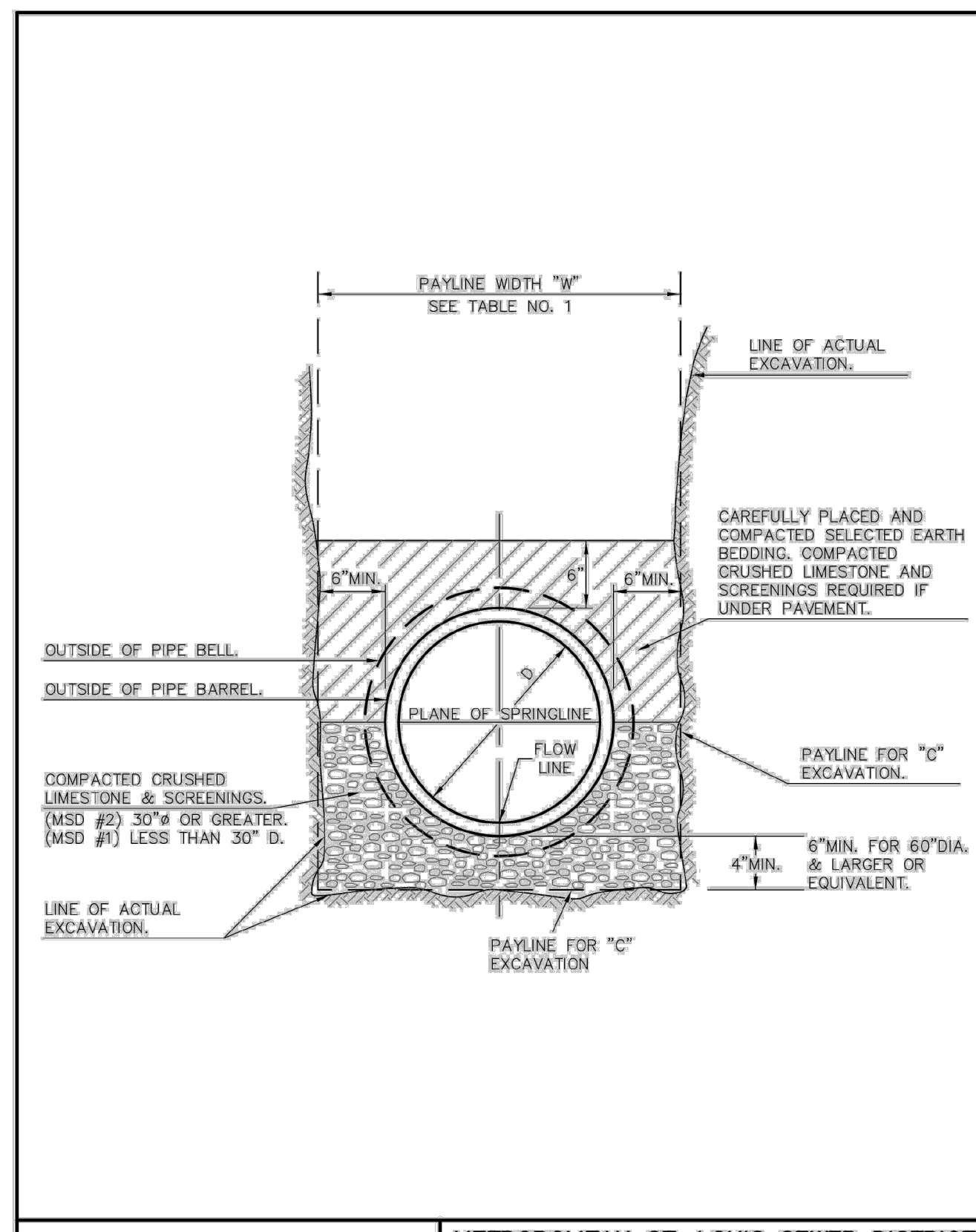
SINGLE STREET INLETS PRECAST CONCRETE	METROPOLITAN ST. LOUIS SEWER DISTRICT Standard Details of Sewer Construction			
	Dr. J.L.G./SAM Ch. J.C.K.	2009	SHEET 36	



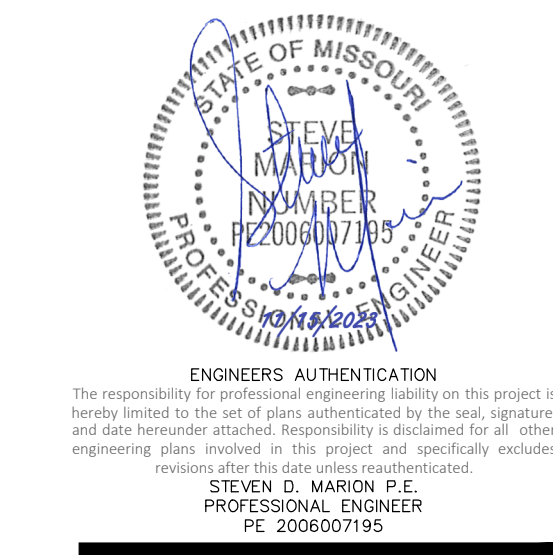
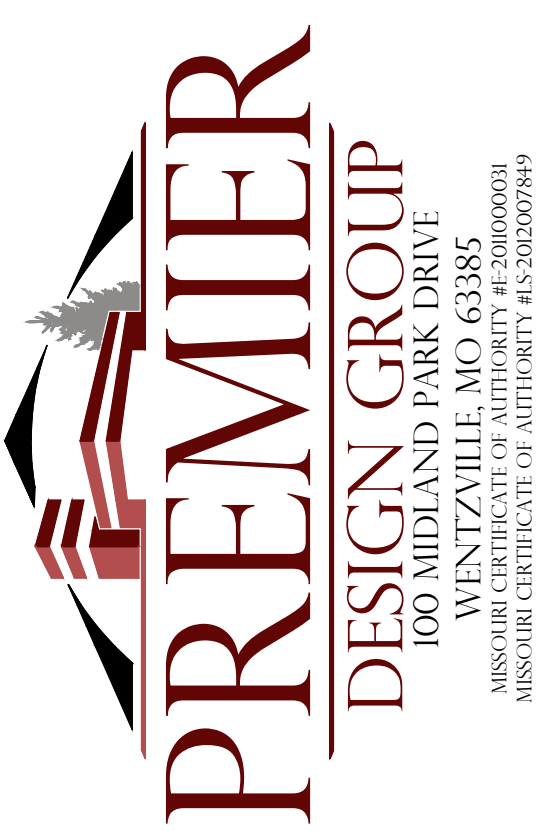
STANDARD - INLET STONES, BLOCKS & DESIGN DETAILS	METROPOLITAN ST. LOUIS SEWER DISTRICT Standard Details of Sewer Construction			
	Dr. W.S.H./SAM Ch. J.C.K.	2009	SHEET 44	



MANHOLE STEP FOR PRECAST & CAST-IN-PLACE MANHOLE	METROPOLITAN ST. LOUIS SEWER DISTRICT Standard Details of Sewer Construction			
	Dr. D.A.B./SAM Ch. J.C.K.	2009	SHEET 58	



PIPE BEDDING CLASS "C" (MODIFIED FOR REINFORCED CONCRETE PIPE)	METROPOLITAN ST. LOUIS SEWER DISTRICT Standard Details of Sewer Construction			
	Dr. W.S.H./SAM Ch. J.C.K.	2009	SHEET 5	



NOLES PROPERTIES LLC
LOT 5 - HEARTLAND DENTAL
958 BRYAN ROAD
OFALLON, MO 63366
NOLES PROPERTIES
11361 OLIVE BLVD
CREVE COEUR, MO 63141

Project	10/6/2023		
Date	10/6/2023		
Revision Date	1. 11/16/2023, REVISED PER CITY COMMENTS 2. 11/14/2023, REVISED PER CITY COMMENTS		
Sheet Title	STORM SEWER DETAILS		
Sheet No.	C-700		
Project No.	2202920		
Drawn By	C. KILE		
Checked By	M. FOGARTY		
PERMIT SET			