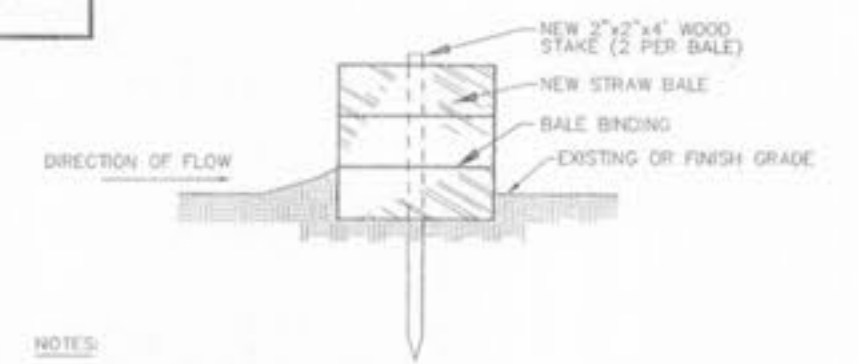


BAY PROJECT NAME : HEAVEN SCENT DOUGHNUTS
BAY PROJECT NO. : 06-1218B
DESIGN DATE : 5-15-07
DESIGNED BY : LM

SUBMITTED: 5-15-07 FILENAME: 06-12618B

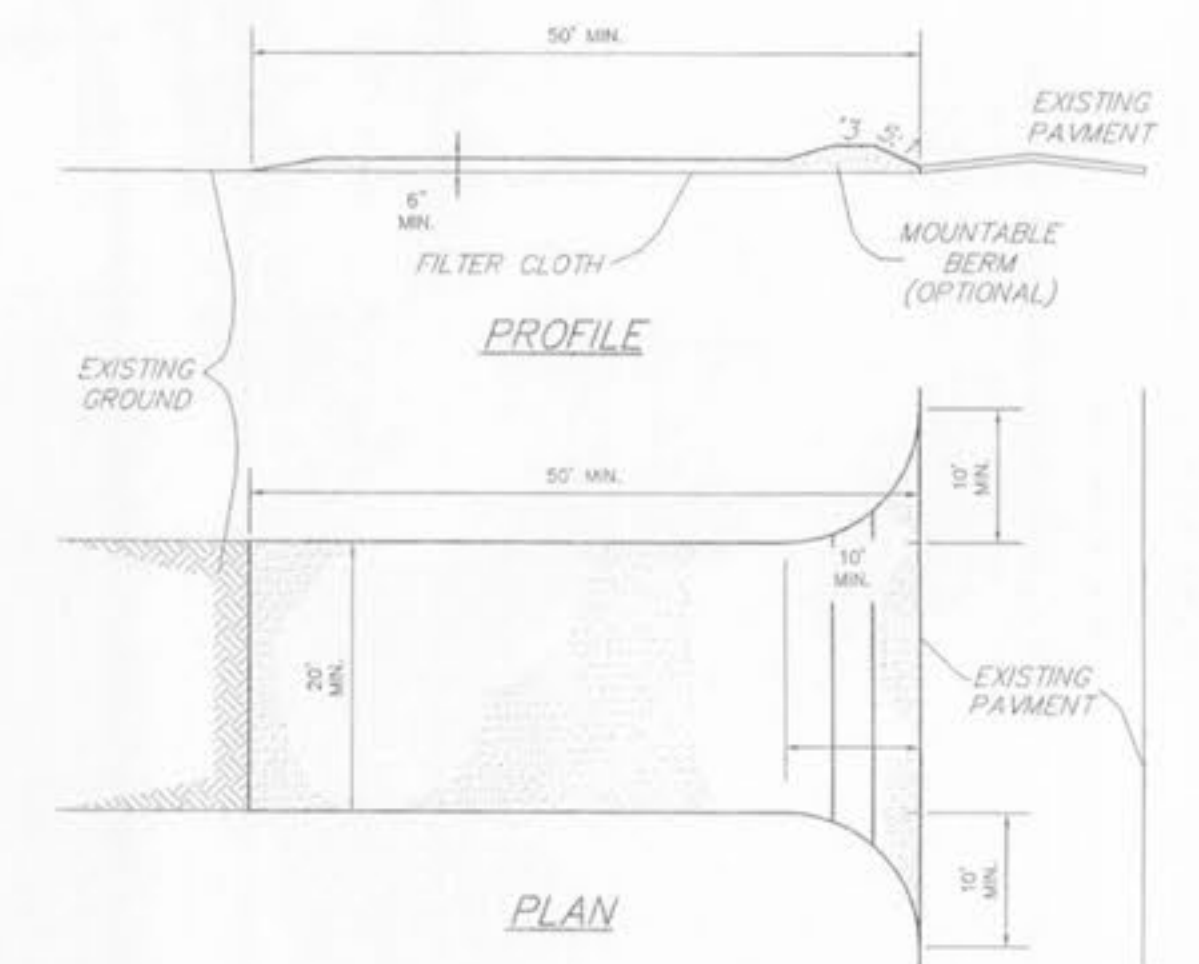
UPP STR	LOW STR	L	DIA	UPPER FL LM	LOWER FL LM	PS	UPPER HY EL	DEPTH HY GR	UPPER HY EL	LOWER HY EL	HYDR GRADE	FR HEAD	VEL	VEL HEAD	JUNC LOSS	TURN LOSS	TQ	P1FC CNP	REMARKS
EX AI-2EX AI-1	39	15	15	597.10	596.45	1.66	601.46	3.71	597.75	597.70	-.00060	0.02	1.29	0.03	0.00	0.00	1.58	8.32	1
EX AI-1G1101	71	15	15	596.45	595.62	1.16	601.90	4.79	596.98	596.87	-.00110	0.08	1.78	0.03	0.00	0.00	2.19	6.96	2
G1101 DC1100	162	15	15	595.62	593.95	1.03	604.85	8.62	596.23*	595.43	-.00230	0.38	2.53	0.12	0.06	0.00	3.11	6.56	3
DC1100 EXFE	69	15	15	593.95	593.24	1.03	602.20	6.77	594.43	594.49	-.00080	0.61	4.95	0.38	0.00	0.00	6.07	6.56	4

* INDICATES CRITICAL DEPTH



- NOTES:
- STRAW BALES, NOT HAY BALES, SHALL BE USED.
 - BUTT ENDS OF BALES TIGHTLY TOGETHER.
 - INSTALL BALES WITH BINDING AROUND SIDES, NOT TOP AND BOTTOM.
 - FILL ANY GAP BETWEEN BALES BY WEDGING LOOSE STRAW BETWEEN THEM.

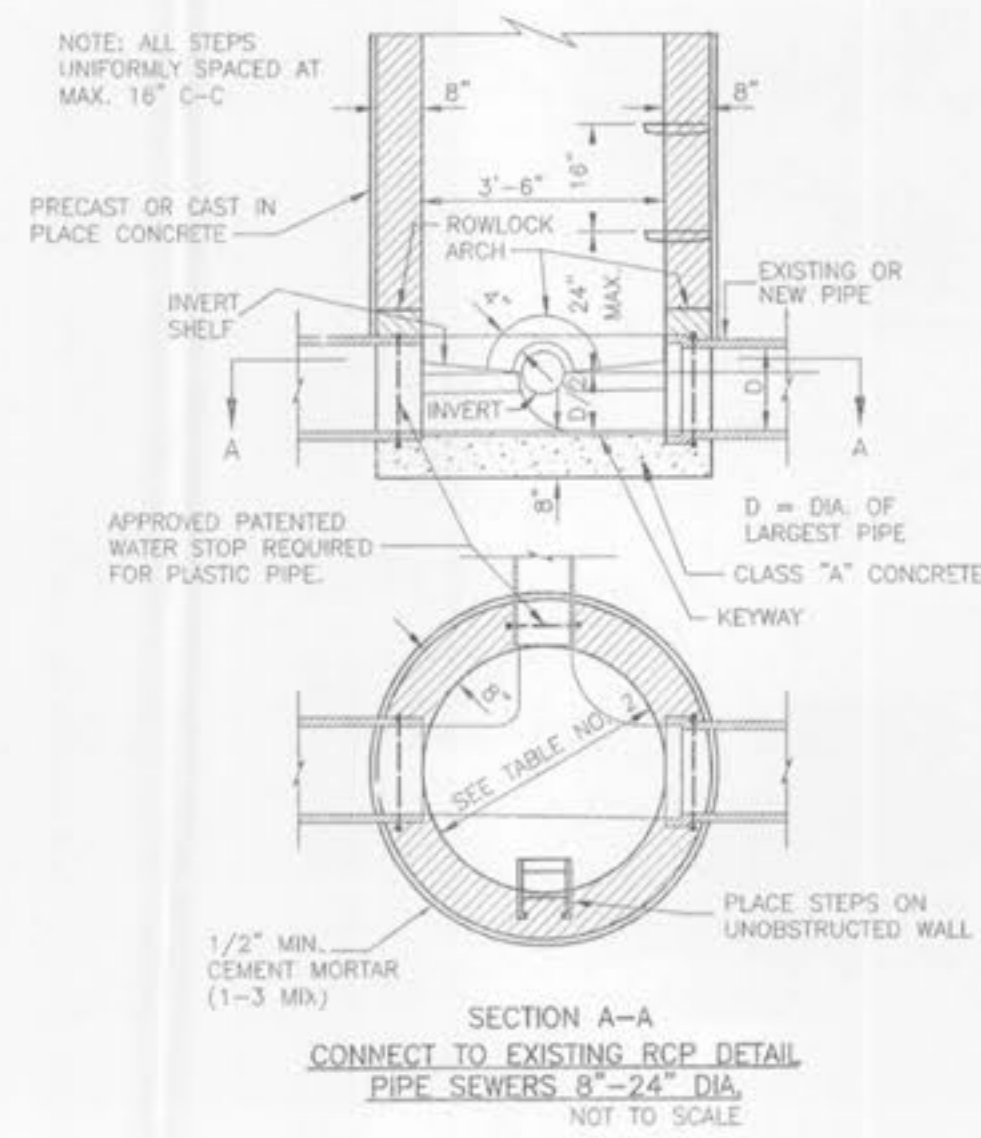
SEDIMENT BARRIER
NOT TO SCALE



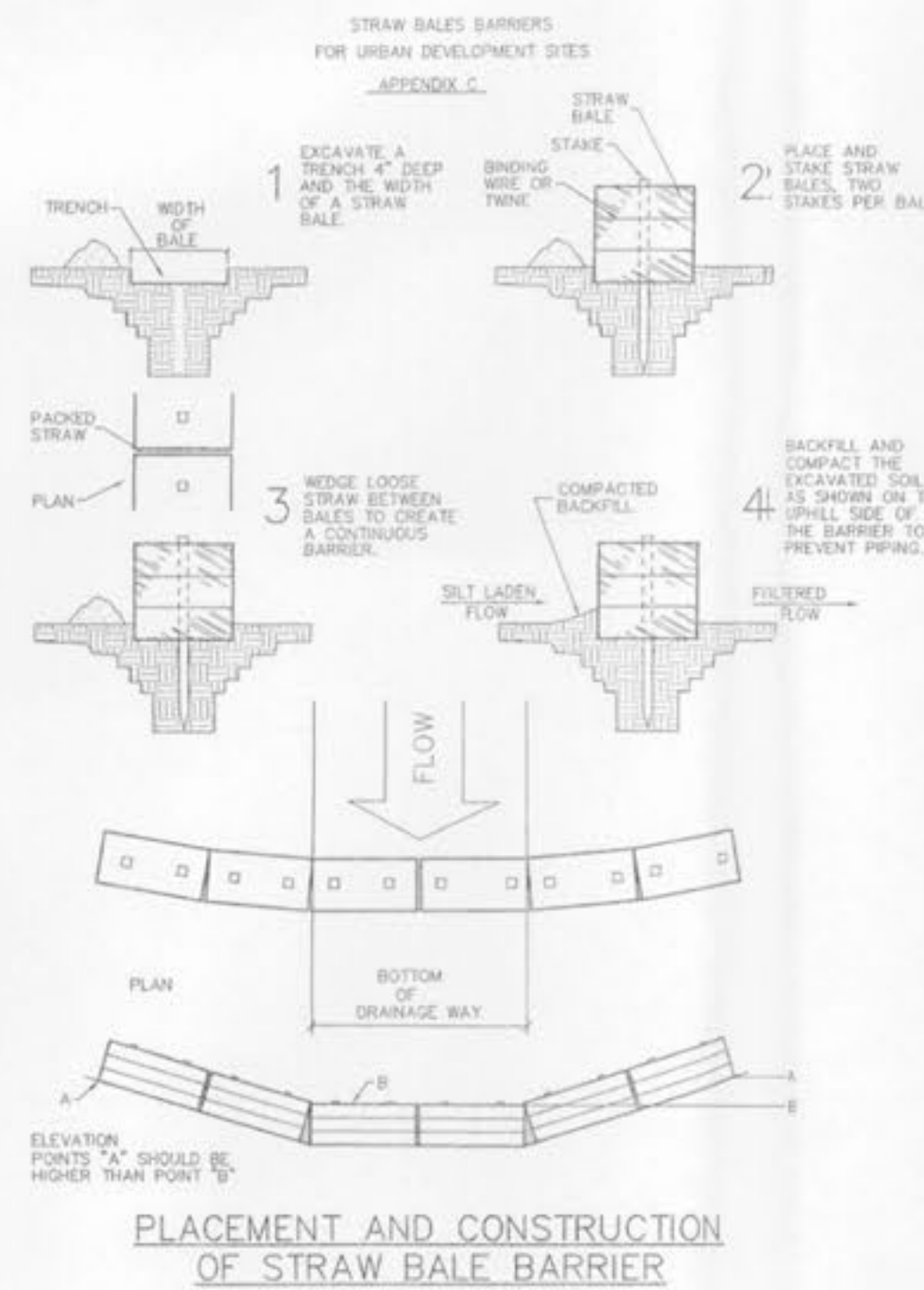
CONSTRUCTION SPECIFICATIONS

- Stone Size - Use 2" stone, or reclaimed or recycled concrete equivalent.
- Length - As required, but not less than 50 feet (except on a single residence lot where a 30 foot minimum length would apply).
- Thickness - Not less than six (6) inches.
- Width - Twenty (20) foot minimum, but not less than the full width at points where ingress or egress occurs.
- Filter Cloth - Will be placed over the entire area prior to placing of stone. Filter will not be required on a single family residence lot.
- Surface Water - All surface water flowing or diverted toward construction entrances shall be piped across the entrance. If piping is impractical, a mountable berm with 5:1 slopes will be permitted.
- Maintenance - The entrance shall be maintained in a condition which will prevent tracking or flowing of sediment onto public rights-of-way. This may require periodic top dressing with additional stone as conditions demand and repair and/or cleanup of any measures used to trap sediment. All sediment spilled, dropped, washed or tracked onto public rights-of-way must be removed immediately.
- Washing - Wheels shall be cleaned to remove sediment prior to entrance onto public rights-of-way. When washing is required, it shall be done on an area stabilized with stone and which drains into an approved sediment trapping device.
- Periodic inspection and needed maintenance shall be provided after each rain.

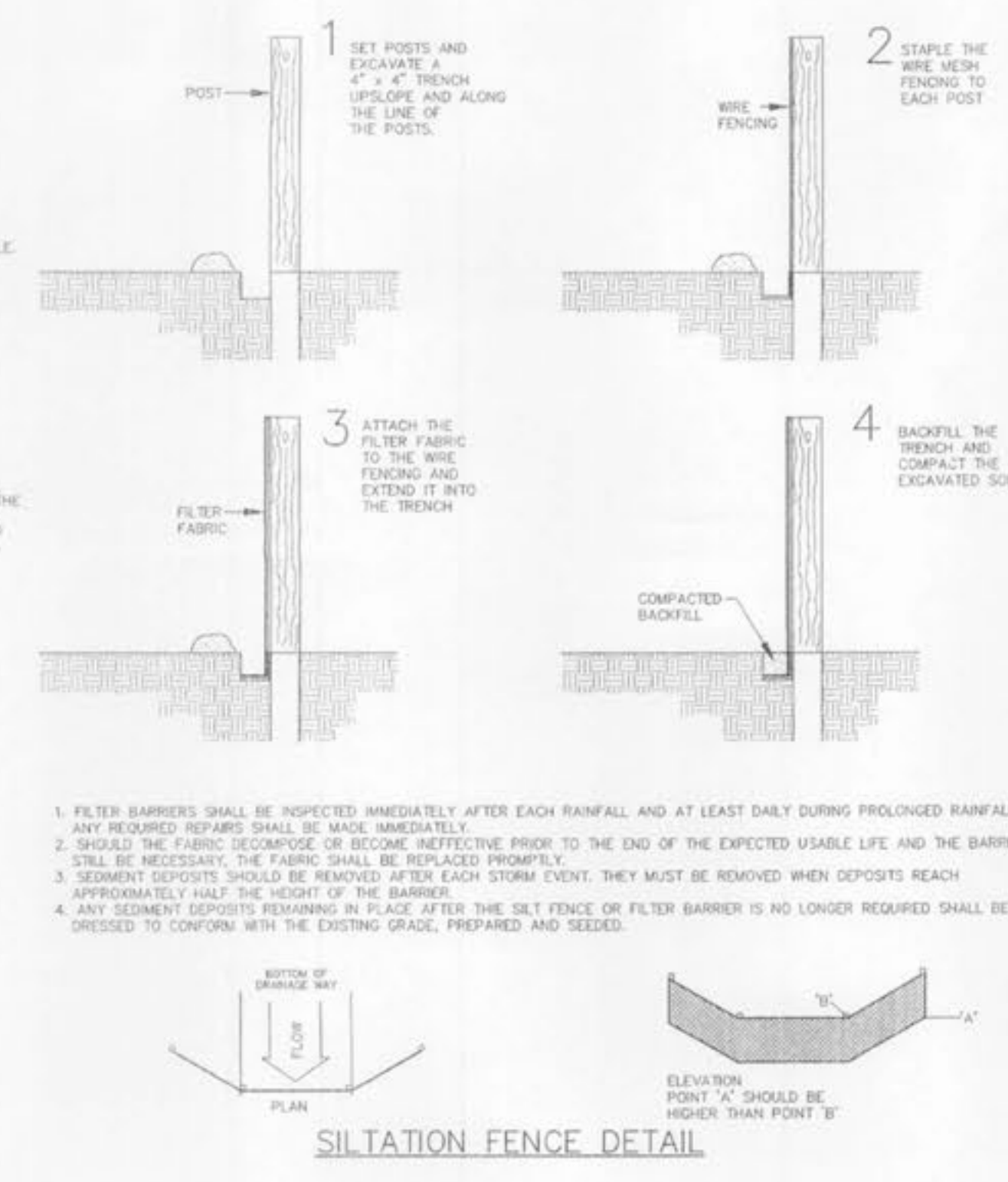
STABILIZED CONSTRUCTION ENTRANCE/WASHDOWN AREA
NOT TO SCALE



SECTION A-A
CONNECT TO EXISTING RCP DETAIL
PIPE SEWERS 8"-24" DIA.
NOT TO SCALE



PLACEMENT AND CONSTRUCTION
OF STRAW BALE BARRIER



SILTATION FENCE DETAIL

- FILTER BARRIERS SHALL BE INSPECTED IMMEDIATELY AFTER EACH RAINFALL AND AT LEAST DAILY DURING PROLONGED RAINFALL. ANY REQUIRED REPAIRS SHALL BE MADE IMMEDIATELY.
- SHOULD THE FABRIC DECOMPOSE OR BECOME INEFFECTIVE PRIOR TO THE END OF THE EXPECTED USABLE LIFE AND THE BARRIER STILL BE NECESSARY, THE FABRIC SHALL BE REPLACED PROMPTLY.
- SEDIMENT DEPOSITS SHOULD BE REMOVED AFTER EACH STORM EVENT. THEY MUST BE REMOVED WHEN DEPOSITS REACH APPROXIMATELY HALF THE HEIGHT OF THE BARRIER.
- ANY SEDIMENT DEPOSITS REMAINING IN PLACE AFTER THE SILT FENCE OR FILTER BARRIER IS NO LONGER REQUIRED SHALL BE DRESSED TO CONFORM WITH THE EXISTING GRADE, PREPARED AND SEED.