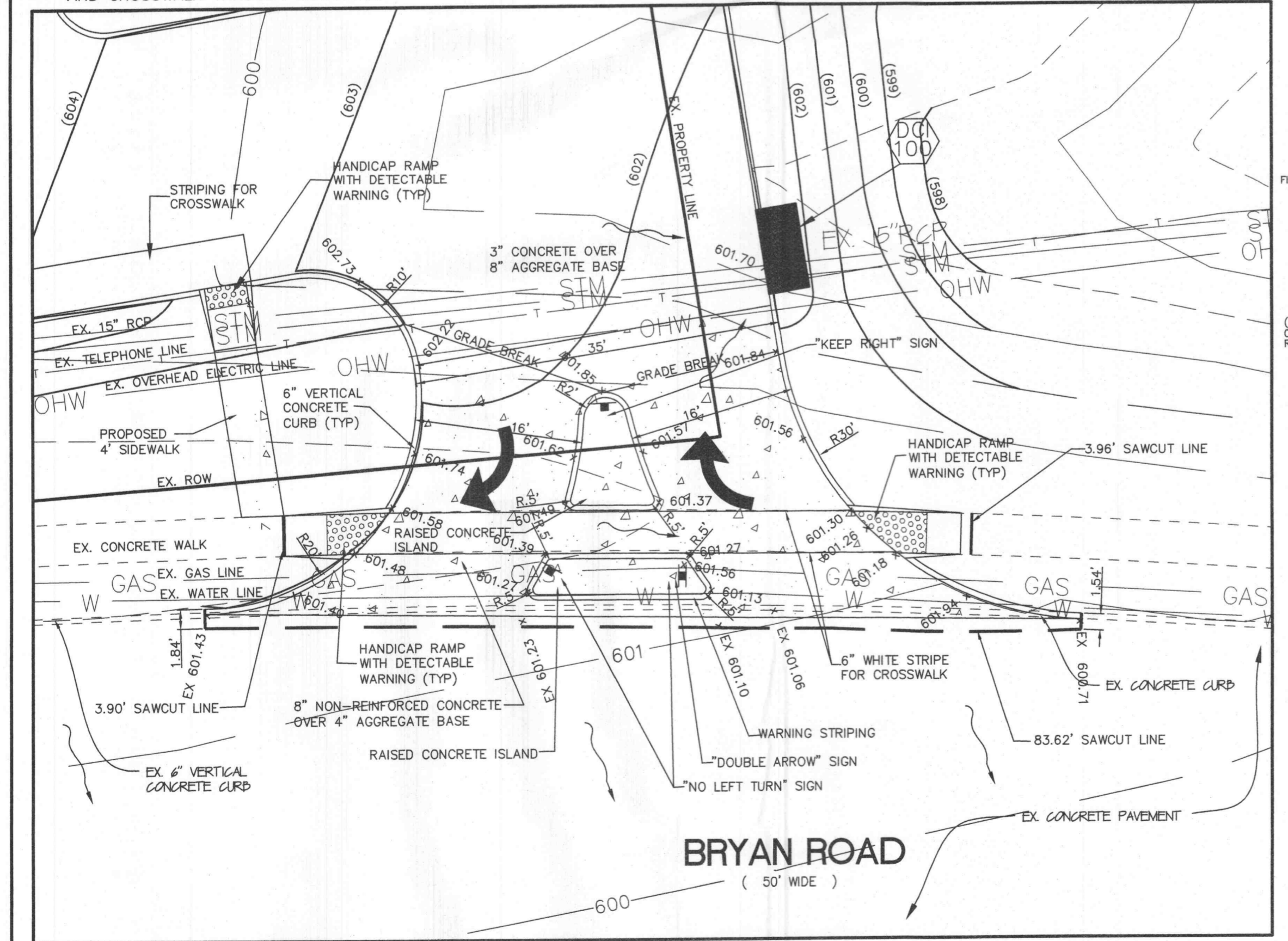


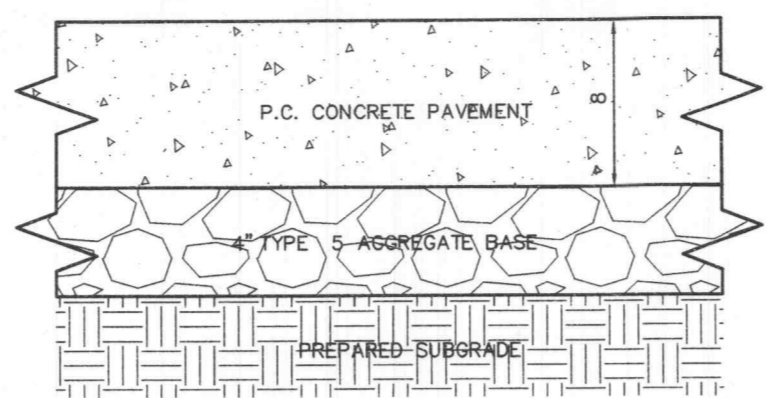
SUNVIEW DRIVE ENTRANCE DETAIL
SCALE: 1"=10'

- * ALL SPOTS ARE TO TOP OF PAVEMENT UNLESS OTHERWISE NOTED
- * ALL ROADWAYS SHALL BE KEPT CLEAR OF MUD AND DEBRIS AT ALL TIMES
- * ALL PAVEMENT REMOVAL IS TO BE TO NEAREST JOINT
- * ALL TRAFFIC CONTROL TO BE PER MUTCD.
- * MAINTAIN A MINIMUM 2% CROSS SLOPE ACROSS SIDEWALKS, AND CROSSWALK THROUGH ENTRANCE.

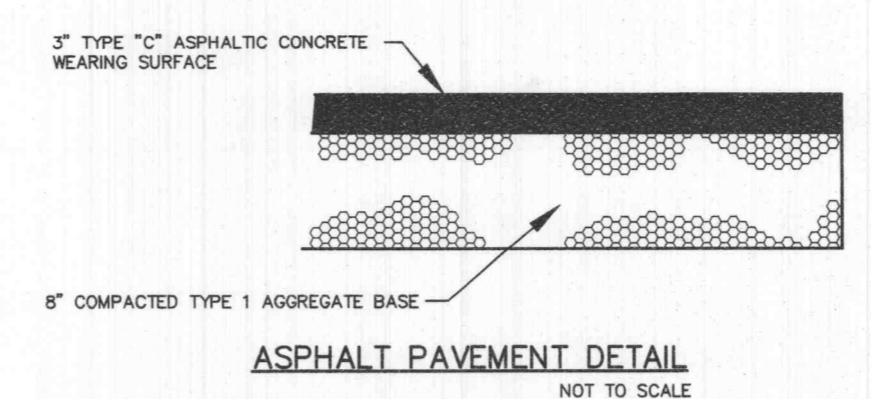


BRYAN ROAD ENTRANCE DETAIL
SCALE: 1"=10'

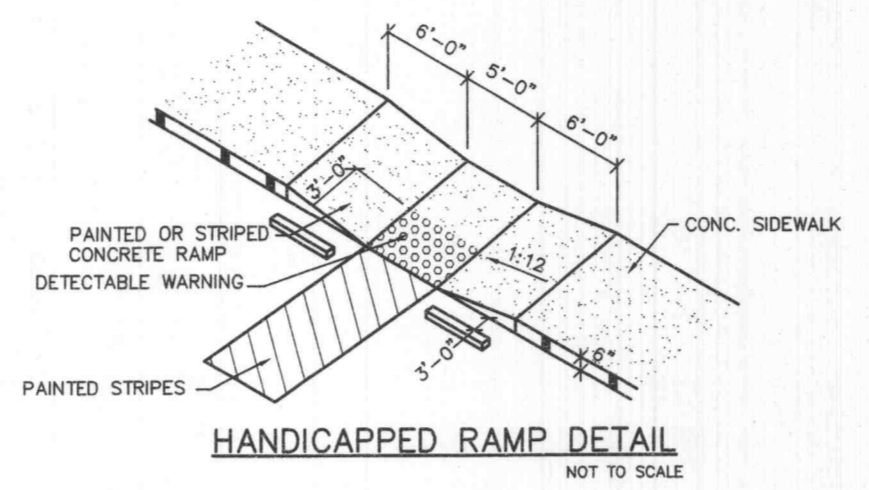
- * ALL SPOTS ARE TO TOP OF PAVEMENT UNLESS OTHERWISE NOTED
- * ALL ROADWAYS SHALL BE KEPT CLEAR OF MUD AND DEBRIS AT ALL TIMES
- * ALL PAVEMENT REMOVAL IS TO BE TO NEAREST JOINT
- * ALL TRAFFIC CONTROL TO BE PER MUTCD.
- * MAINTAIN A MINIMUM 2% CROSS SLOPE ACROSS SIDEWALK, AND CROSSWALK THROUGH ENTRANCE.



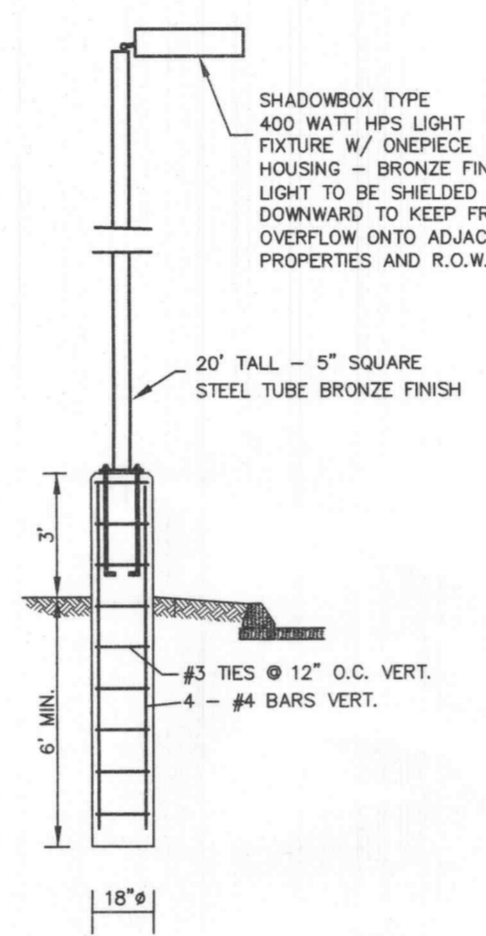
ENTRANCE PAVEMENT DETAIL
NOT TO SCALE



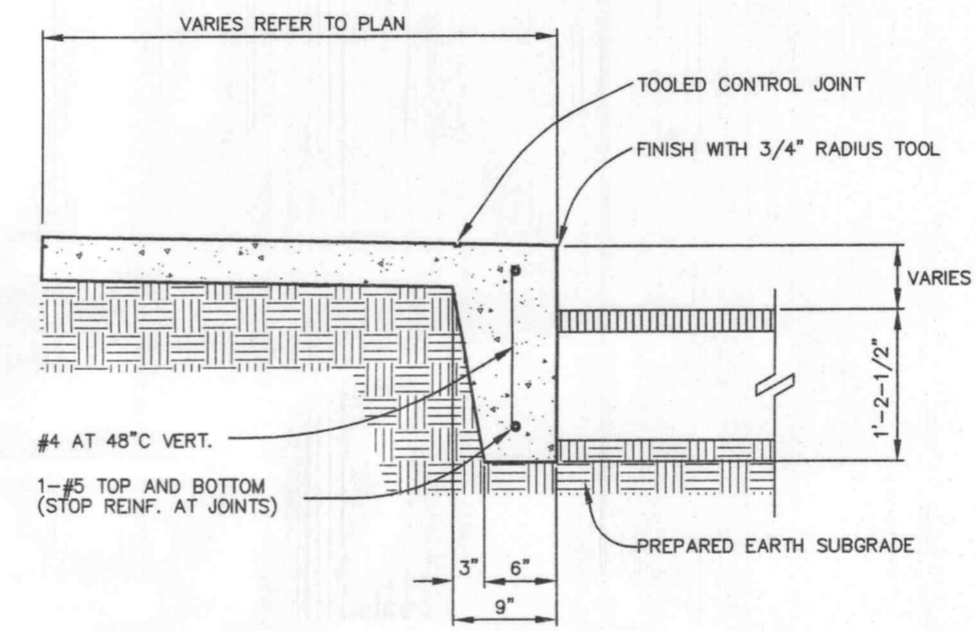
ASPHALT PAVEMENT DETAIL
NOT TO SCALE



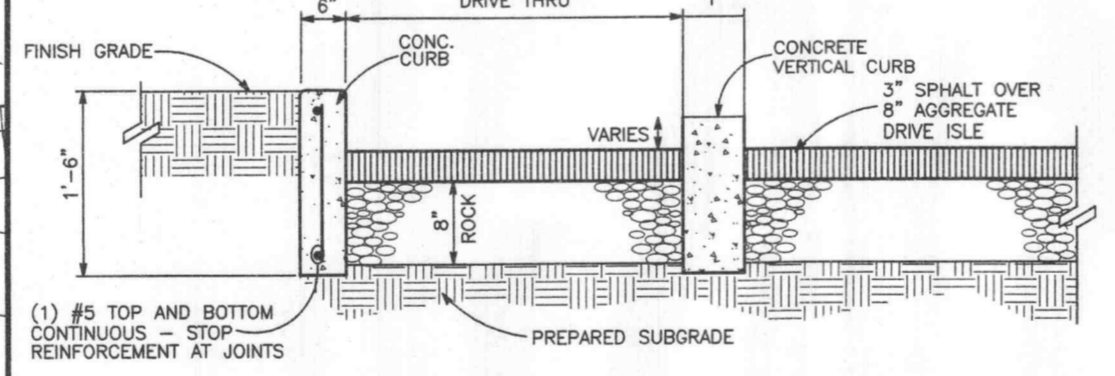
HANDICAPPED RAMP DETAIL
NOT TO SCALE



LIGHT POLE & BASE
NOT TO SCALE

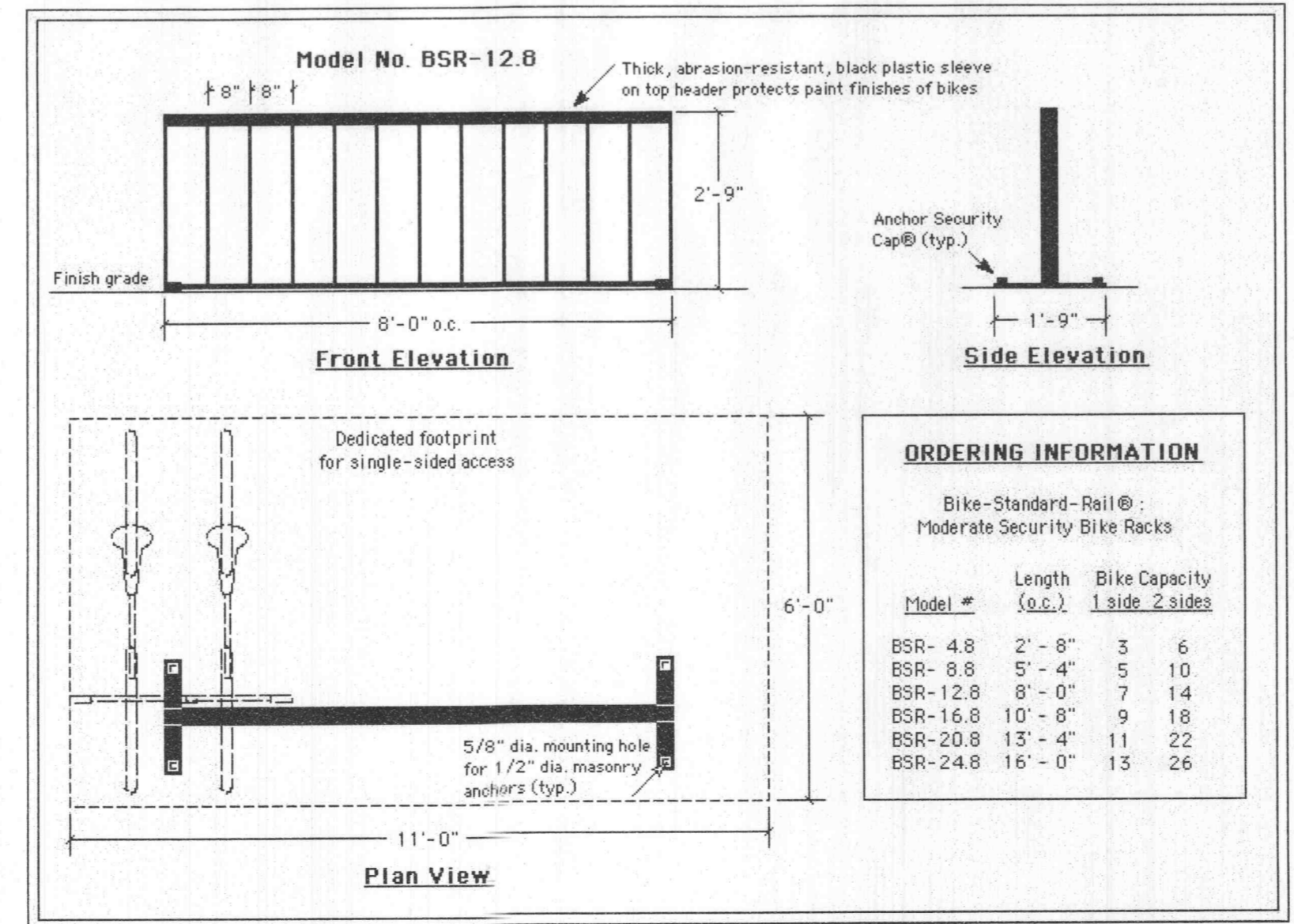


TURNED DOWN CONCRETE WALK
NOT TO SCALE

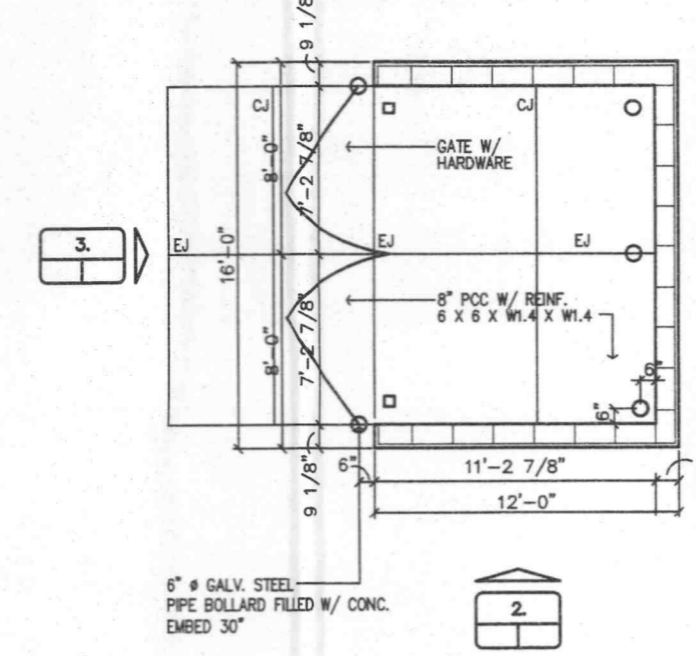


TYPICAL SECTION OF DRIVE THROUGH
NOT TO SCALE

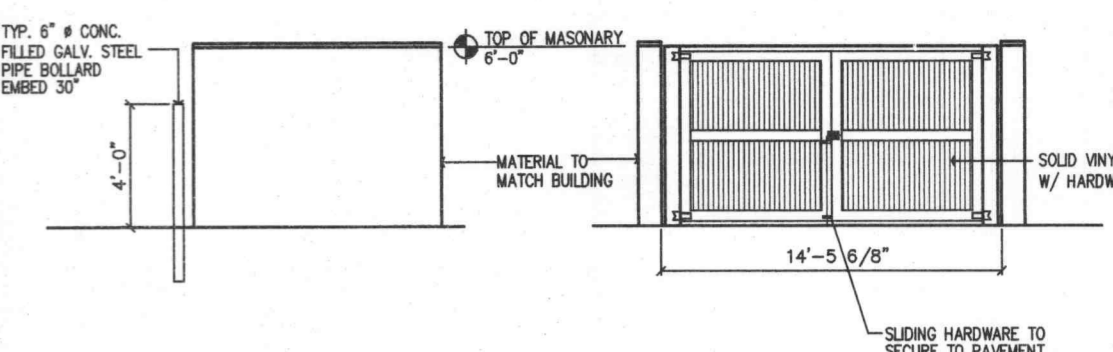
* SEE GRADING PLAN FOR EXTENDED CURB ELEVATIONS



BIKE RACK DETAIL
NOT TO SCALE

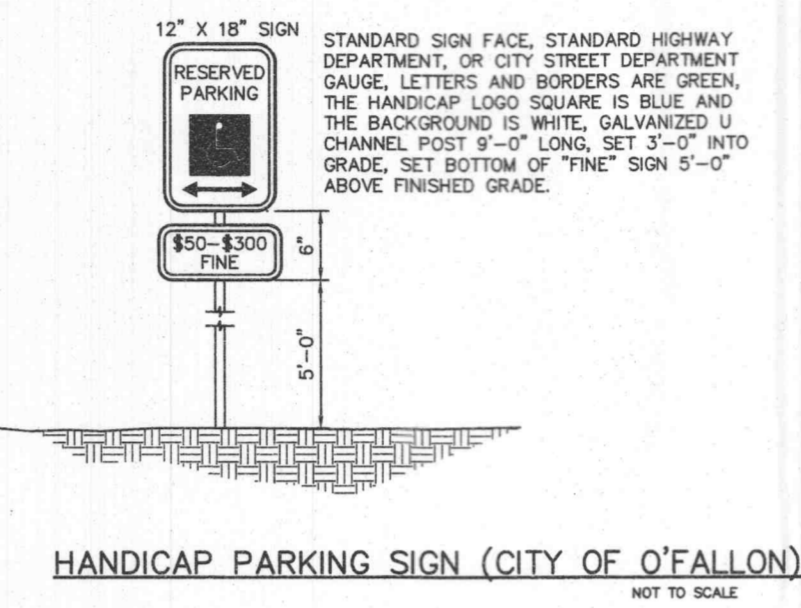


TRASH ENCLOSURE PLAN
NOT TO SCALE

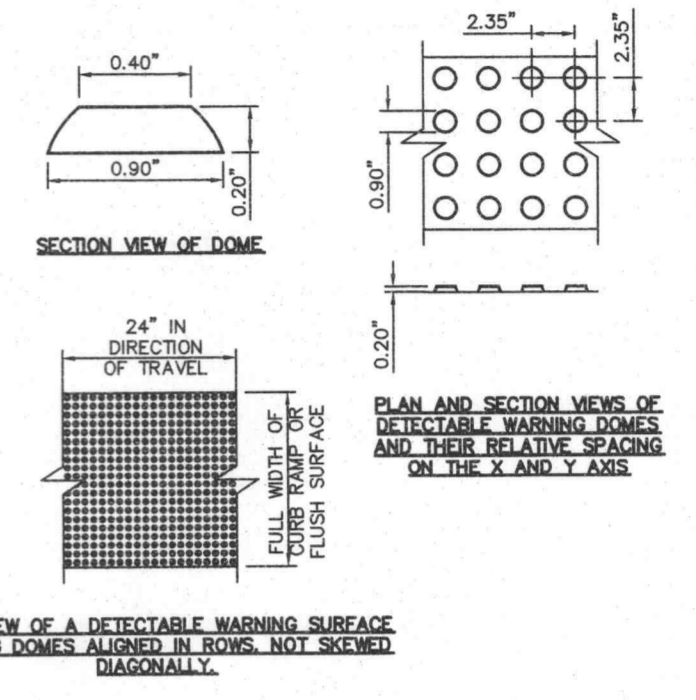


ELEVATION
NOT TO SCALE

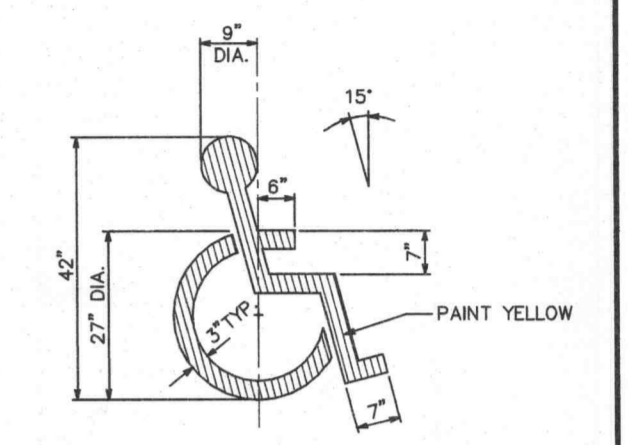
ELEVATION
NOT TO SCALE



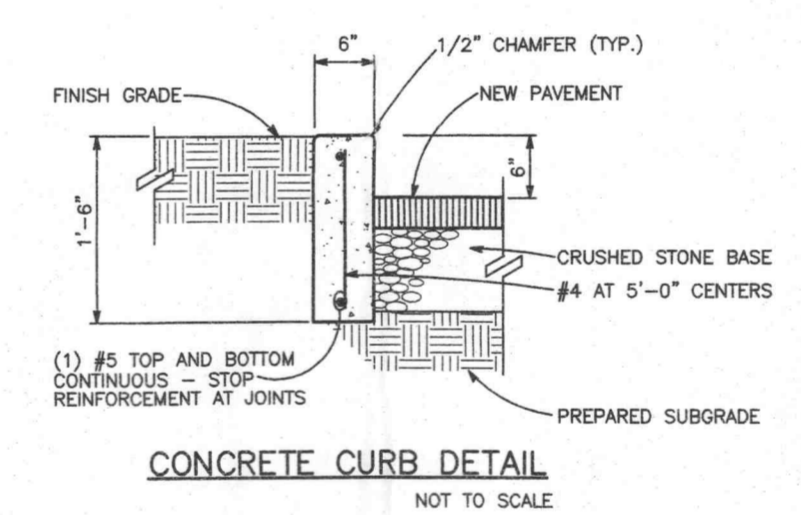
HANDICAP PARKING SIGN (CITY OF O'FALLON)
NOT TO SCALE



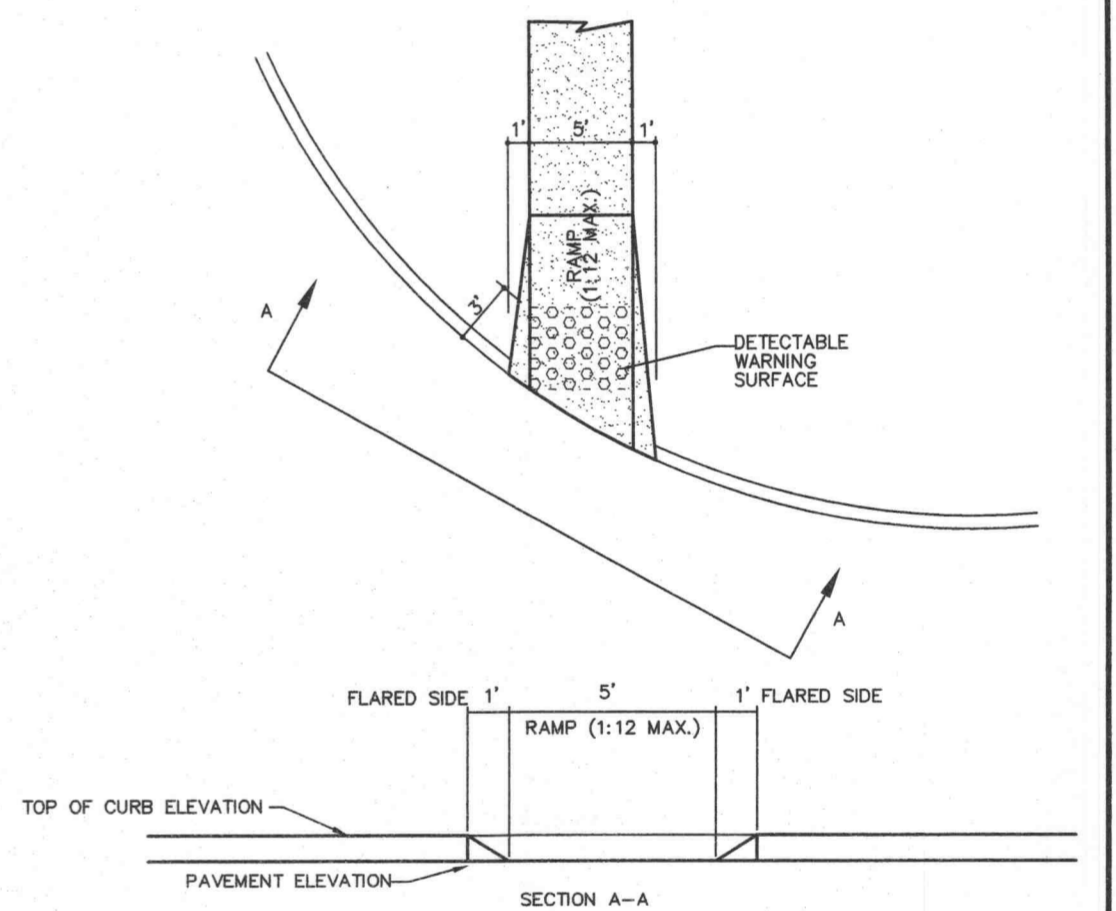
TYPICAL DETAIL OF DETECTABLE WARNING SURFACE
NOT TO SCALE



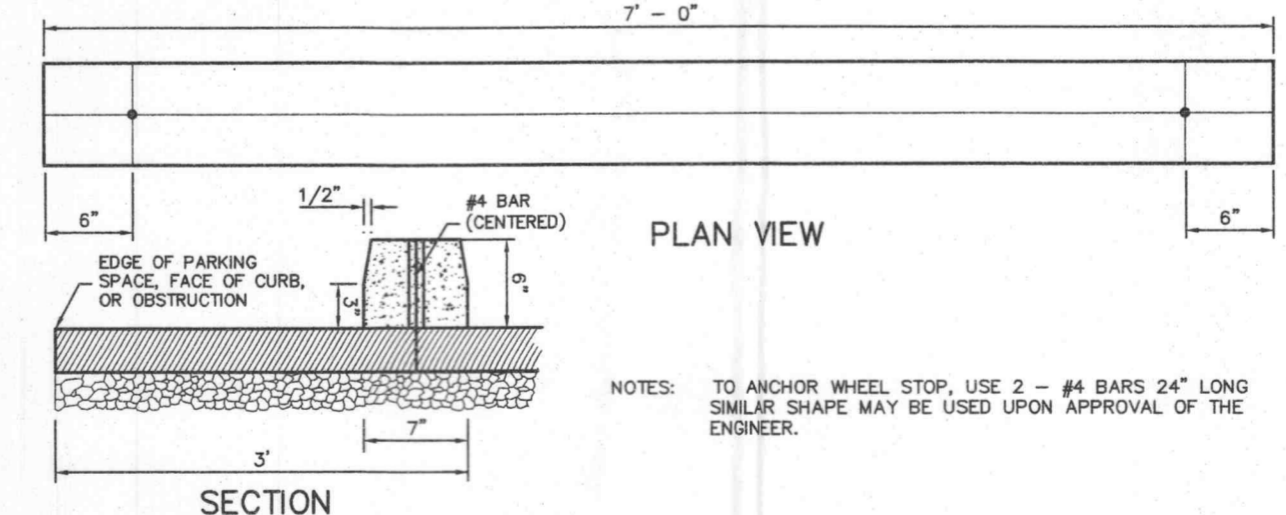
PAINTED HANDICAPPED PARKING SYMBOL
NOT TO SCALE



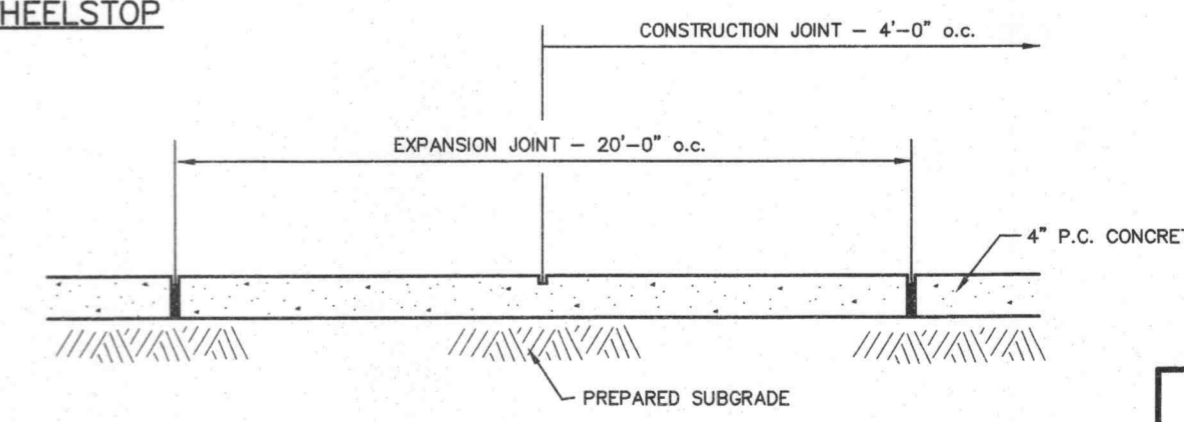
CONCRETE CURB DETAIL
NOT TO SCALE



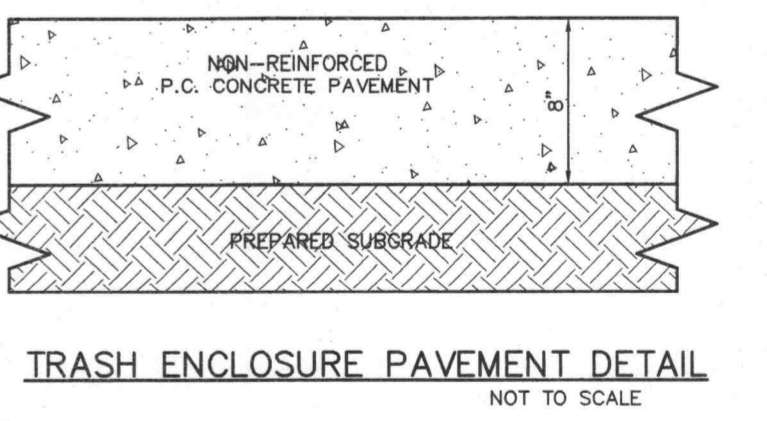
HANDICAPPED RAMP WITH DETECTABLE WARNING DETAIL
NOT TO SCALE



PRECAST CONCRETE WHEELSTOP



CONCRETE SIDEWALK DETAIL
NOT TO SCALE



TRASH ENCLOSURE PAVEMENT DETAIL
NOT TO SCALE

E:\DWG\12500PLUS\12618B-HEAVEN SCENT DONUTS\CONSTRUCTION\12618Bcon.dwg, DETAILS(7), 4/16/2008 1:50:11 PM, Station 25.LDW