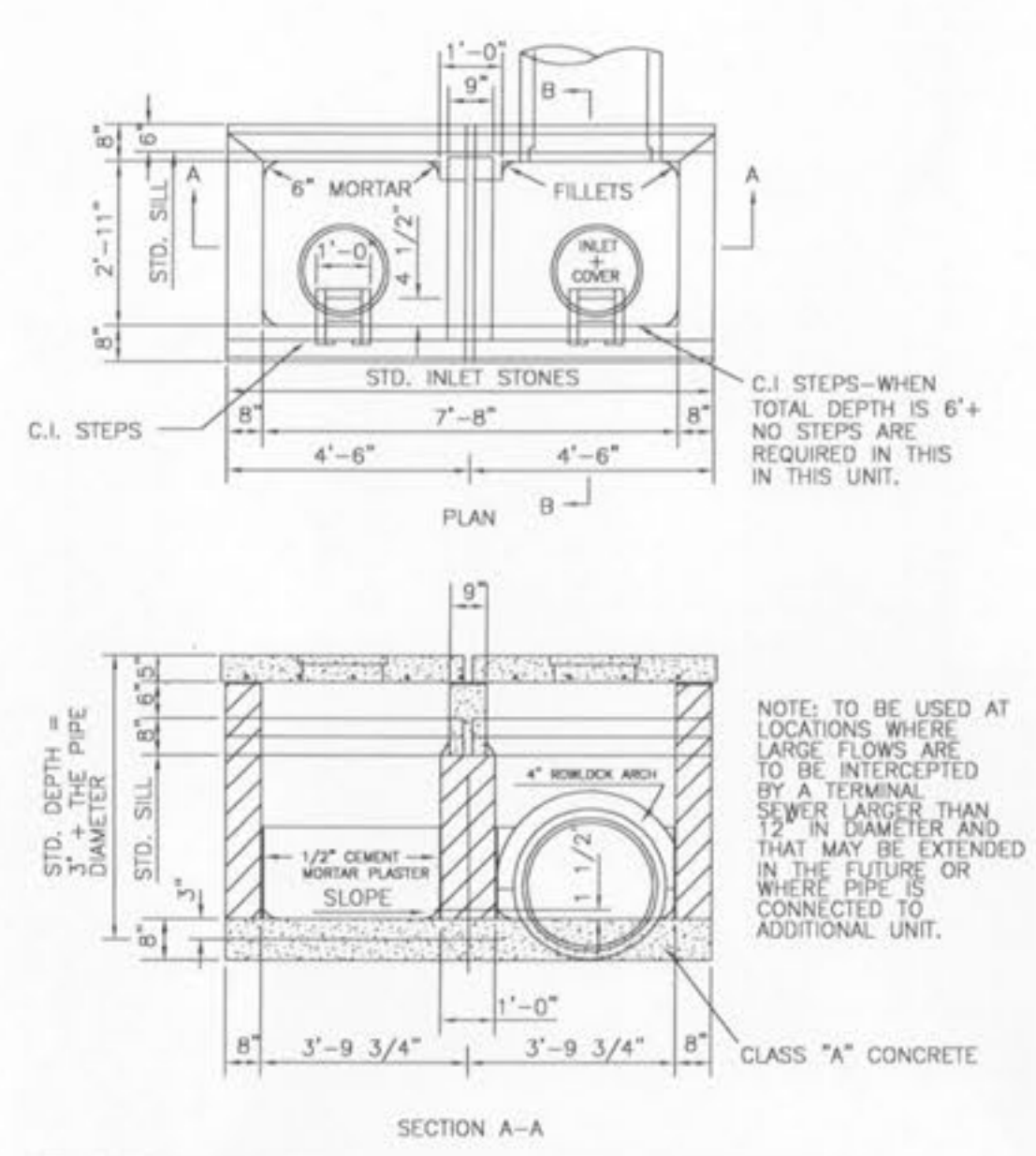
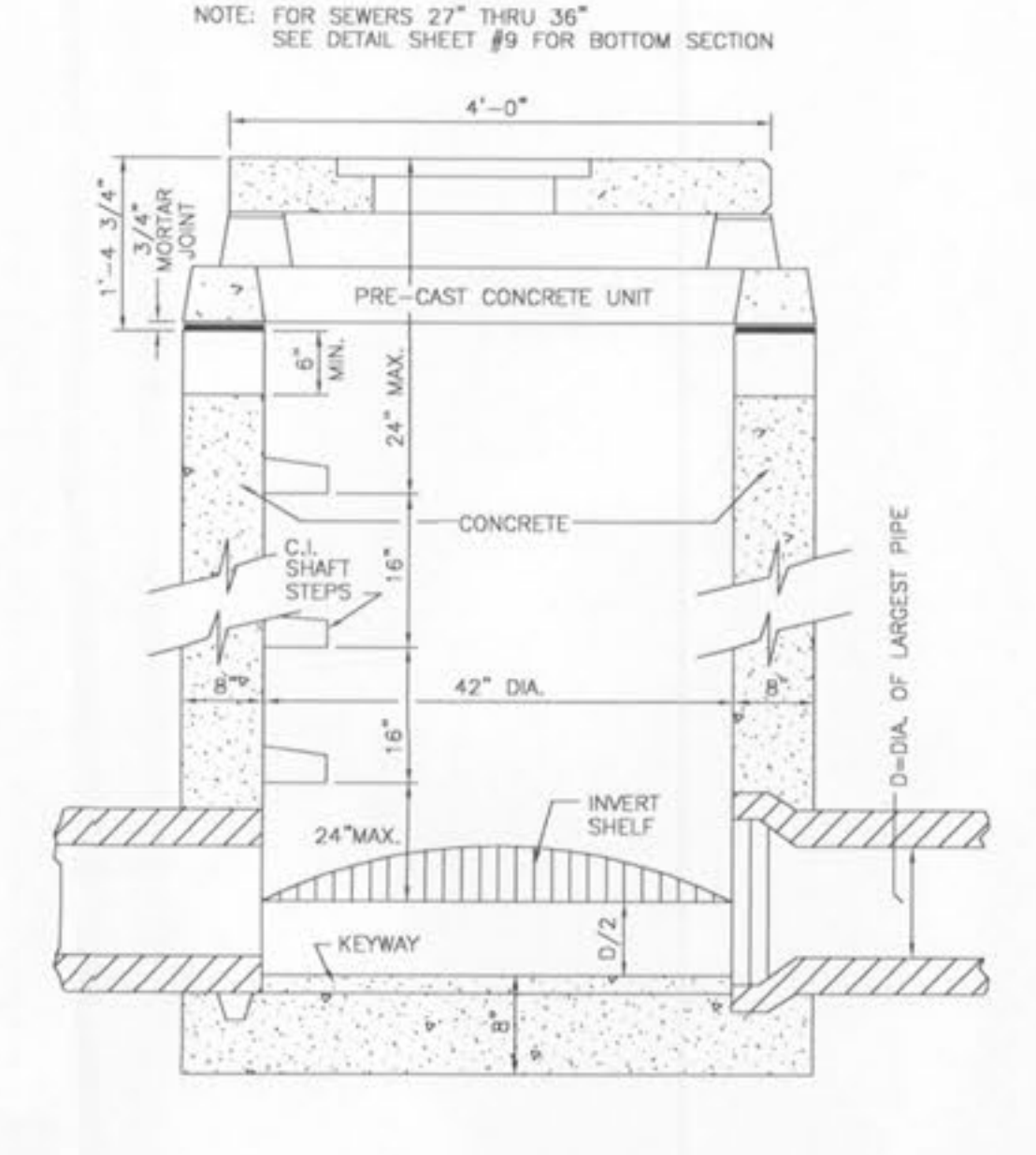


7 MANHOLE COVER DETAIL
SCALE: N.T.S. REF. DWG. C6

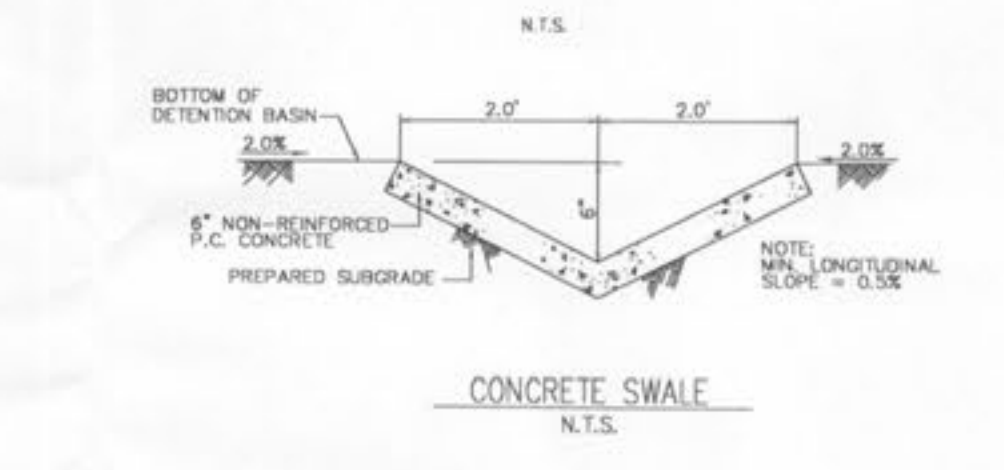
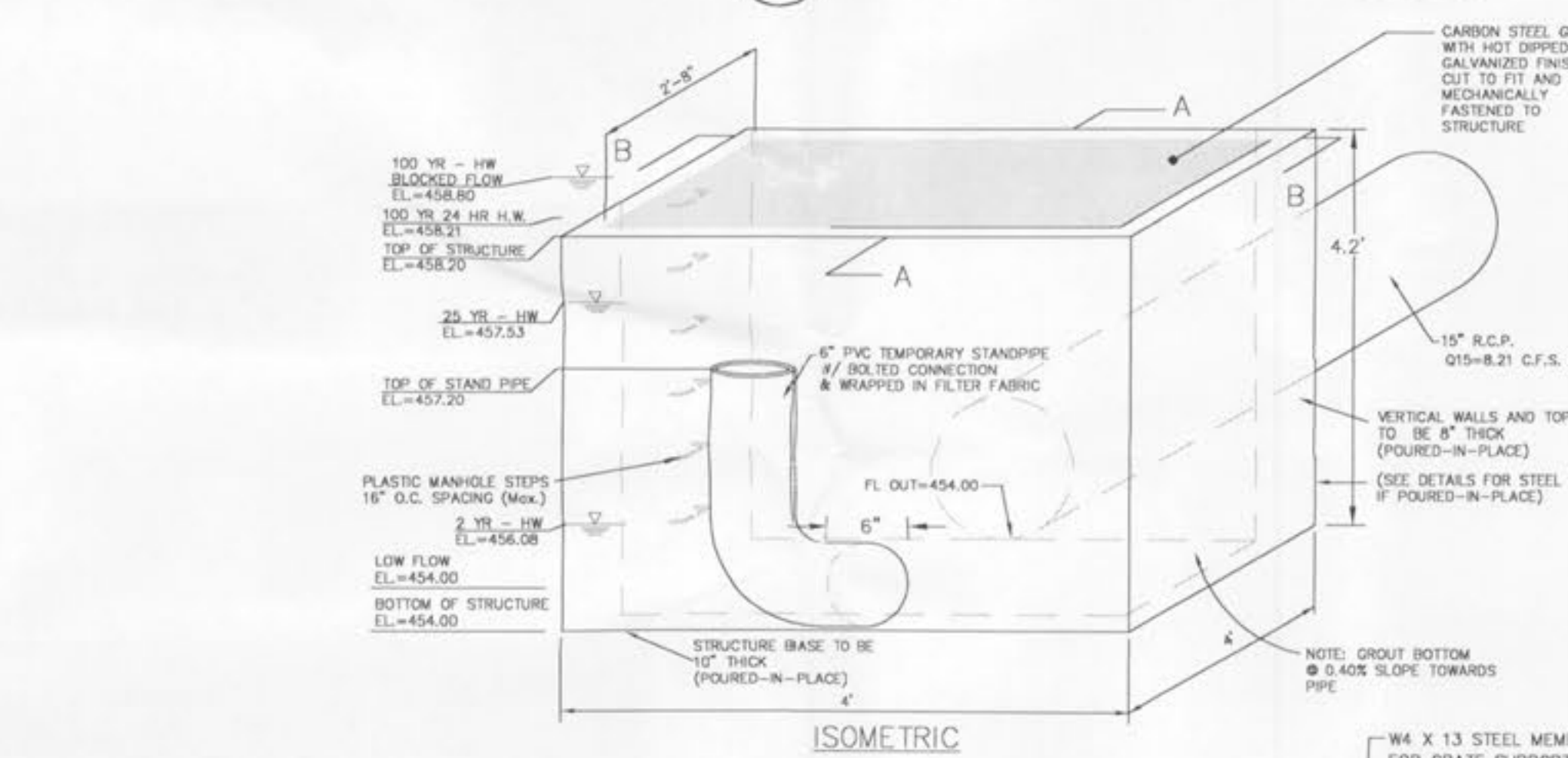
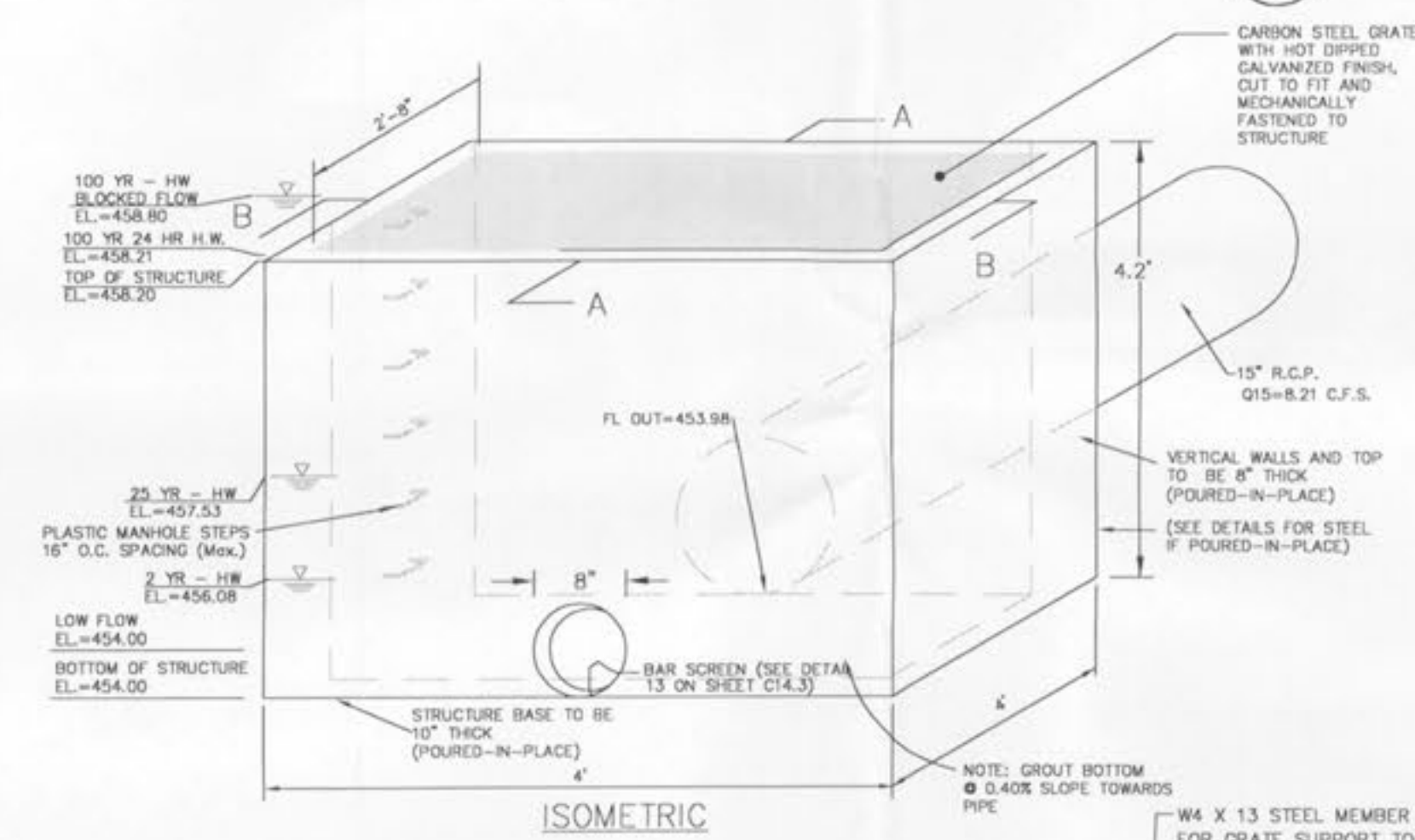


8 DOUBLE CURB INLET DETAIL
SCALE: N.T.S. REF. DWG.

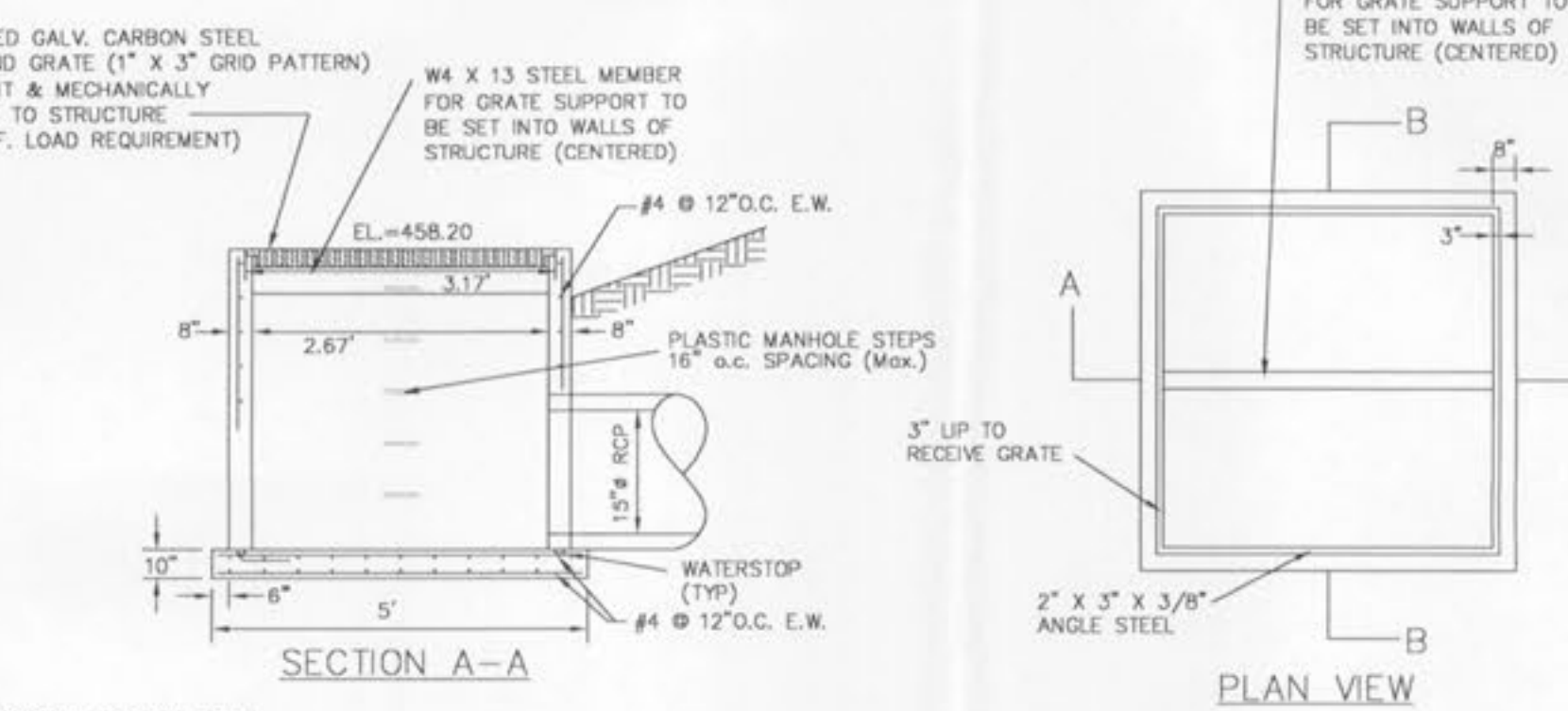


9 AREA INLET DETAIL
SCALE: N.T.S. REF. DWG.

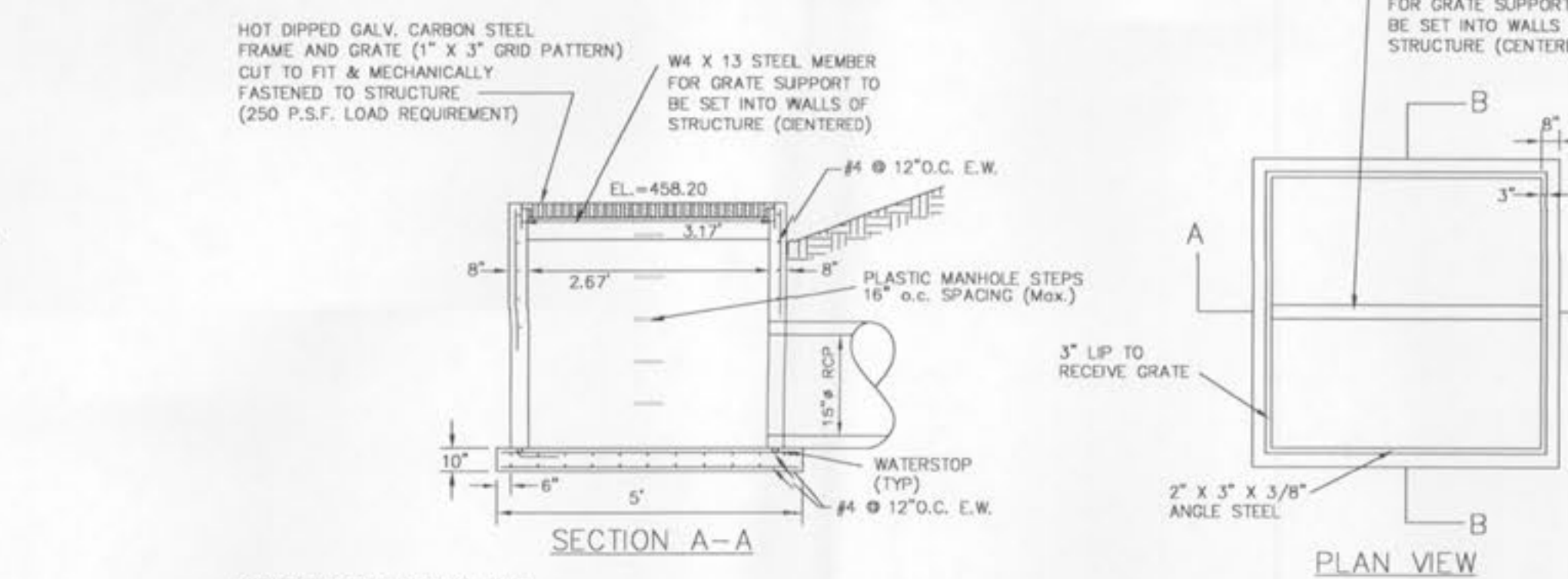
NOTE:
*ALL STRUCTURES ARE TO REQUIRE A $\frac{2}{10}$ DROP CAST BOTTOM
*ALL STRUCTURAL REBAR TO REQUIRE 31 MIL EPOXY COATING



13 DETENTION BASIN - CONCRETE SWALE DETAIL
SCALE: N.T.S. REF. DWG.

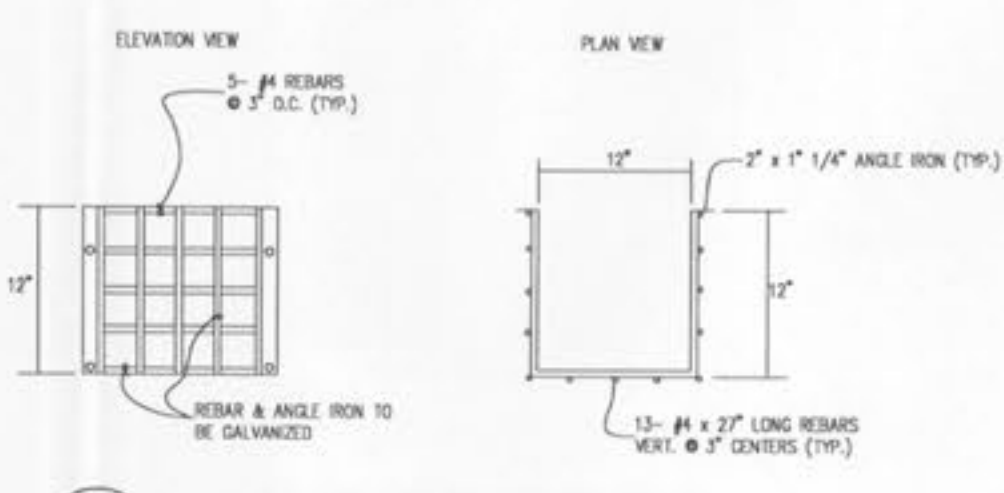


11 O.S. DETENTION DETAILS
SCALE: N.T.S. REF. DWG.



11 O.S. SEDIMENT BASIN DETAILS
SCALE: N.T.S. REF. DWG.

****NOTE: 2" COVER MIN. ON REINFORCING STEEL ON STRUCTURE WALLS AND BASE****



14 TRASH RACK DETAIL
SCALE: N.T.S. REF. DWG.

LAYOUT DETAILS
DATE: May 02, 2006 - 11:19am
DRAWING: S:\0505\05050505\05-14\0505-143\dwg\05-143.dwg

REVISIONS 1. CITY OF FALLON COMMENTS 2. CITY OF FALLON COMMENTS 3. CITY OF FALLON COMMENTS 4. MAJOR COMMENTS	
DEVELOPER/DRAWER: R3 DEVELOPMENT, LLC 7800 HIGHWAY N OFALLON, MO 63366 (636) 561-3948	THE HEIGHTS 1609 HIGHWAY 79 OFALLON, MO 63366
SEAL: 	COLE and ASSOCIATES INCORPORATED 10777 sunset office dr. suite 10 saint louis, missouri 63127 p. 314 984 9887 f. 314 984 0587
DESIGNED BY: JCB DRAWN BY: JCB CHECKED BY: MB DATE: 10/03/05 Job Number: 05-143 Sheet Number: C10.3	P&Z #2705 & 2705.01 C10.3