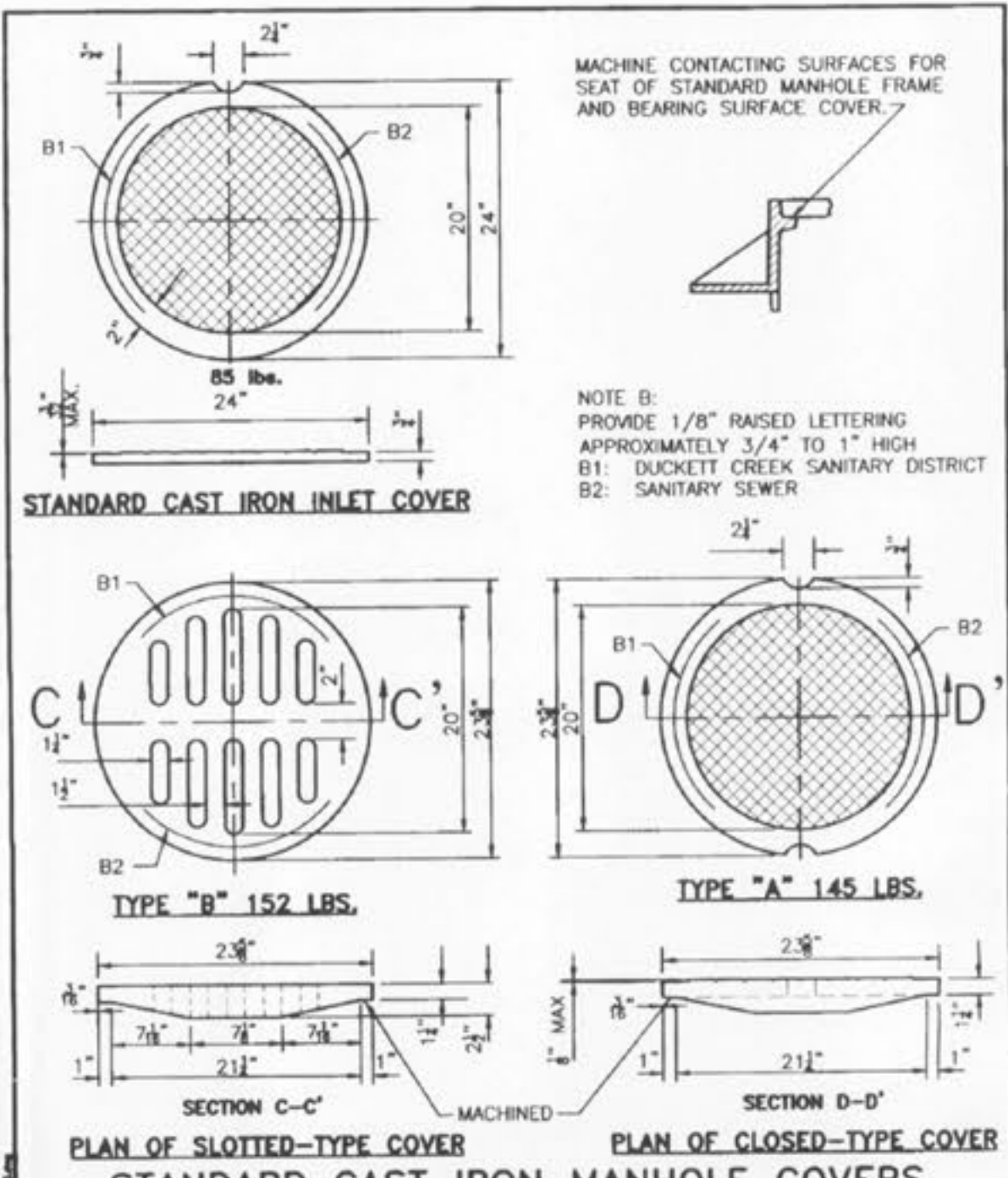


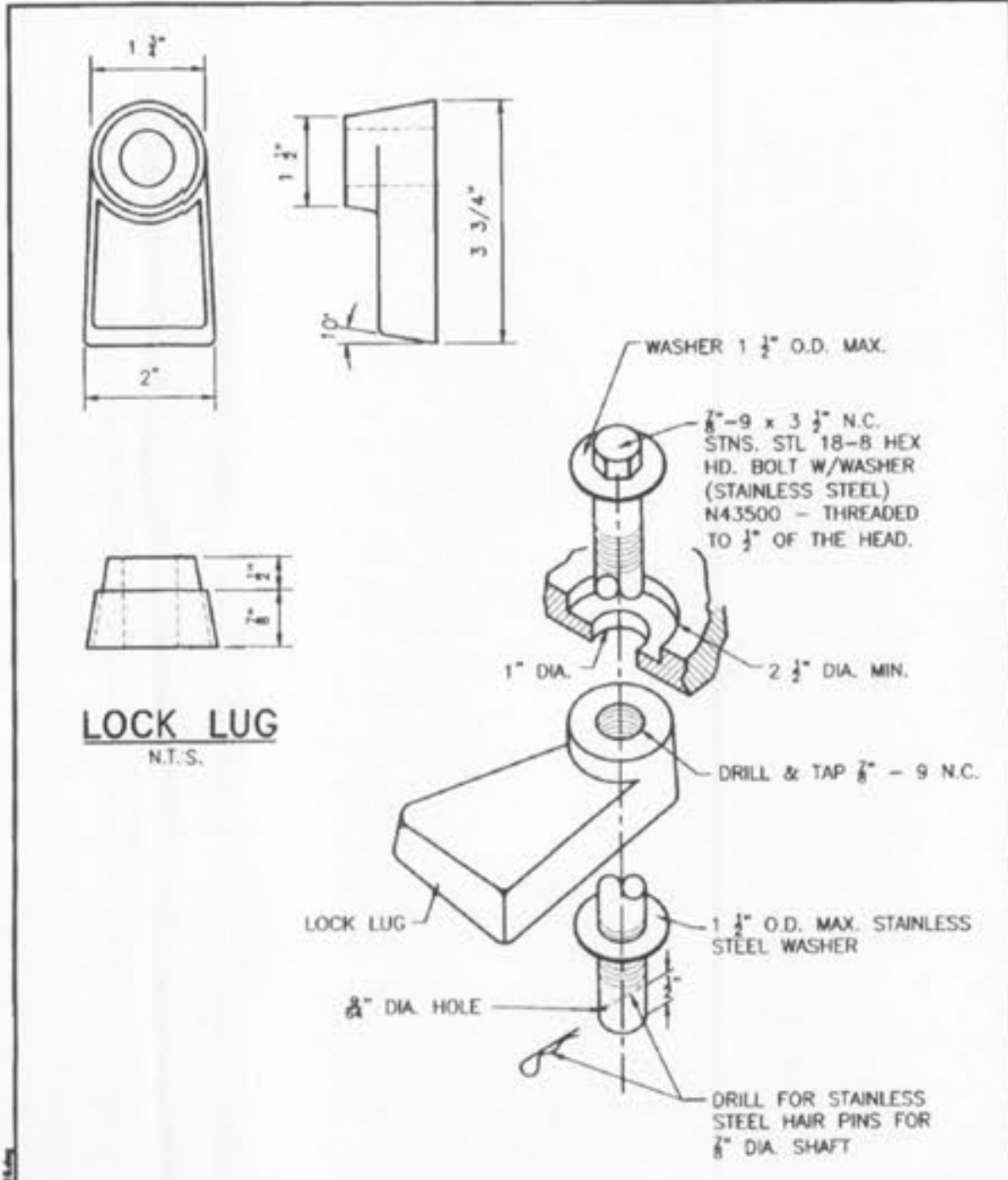
Duckett Creek Sanitary District

MANHOLE FRAME AND COVER	Des. By: BSM	App. By: KLA	Detail No. 12
	Chk. By: MDOB	Date: 01-14-00	



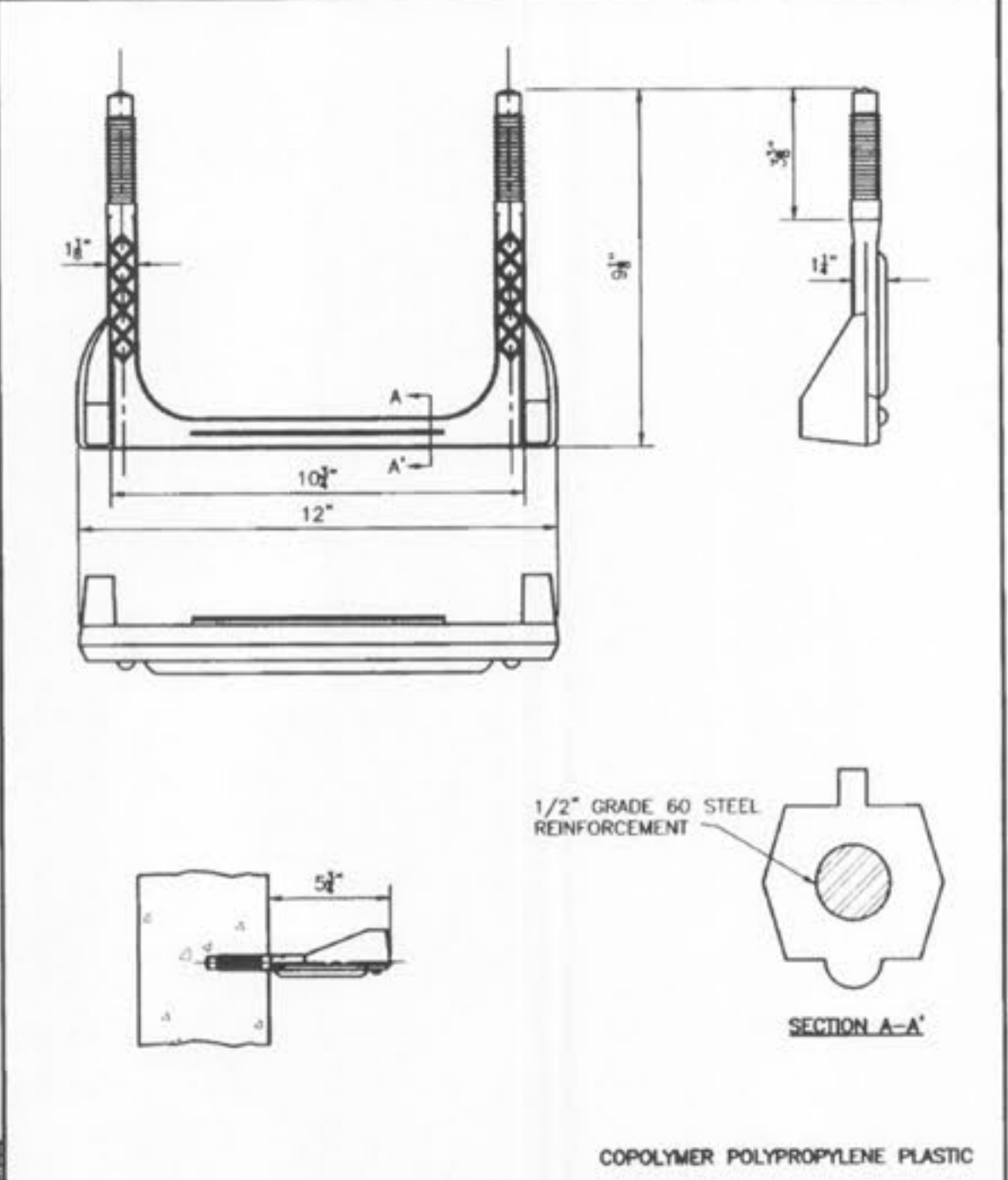
Duckett Creek Sanitary District

CAST IRON COVERS MANHOLES AND INLETS	Des. By: BSM	App. By: KLA	Detail No. 13
	Chk. By: MDOB	Date: 12-22-00	



Duckett Creek Sanitary District

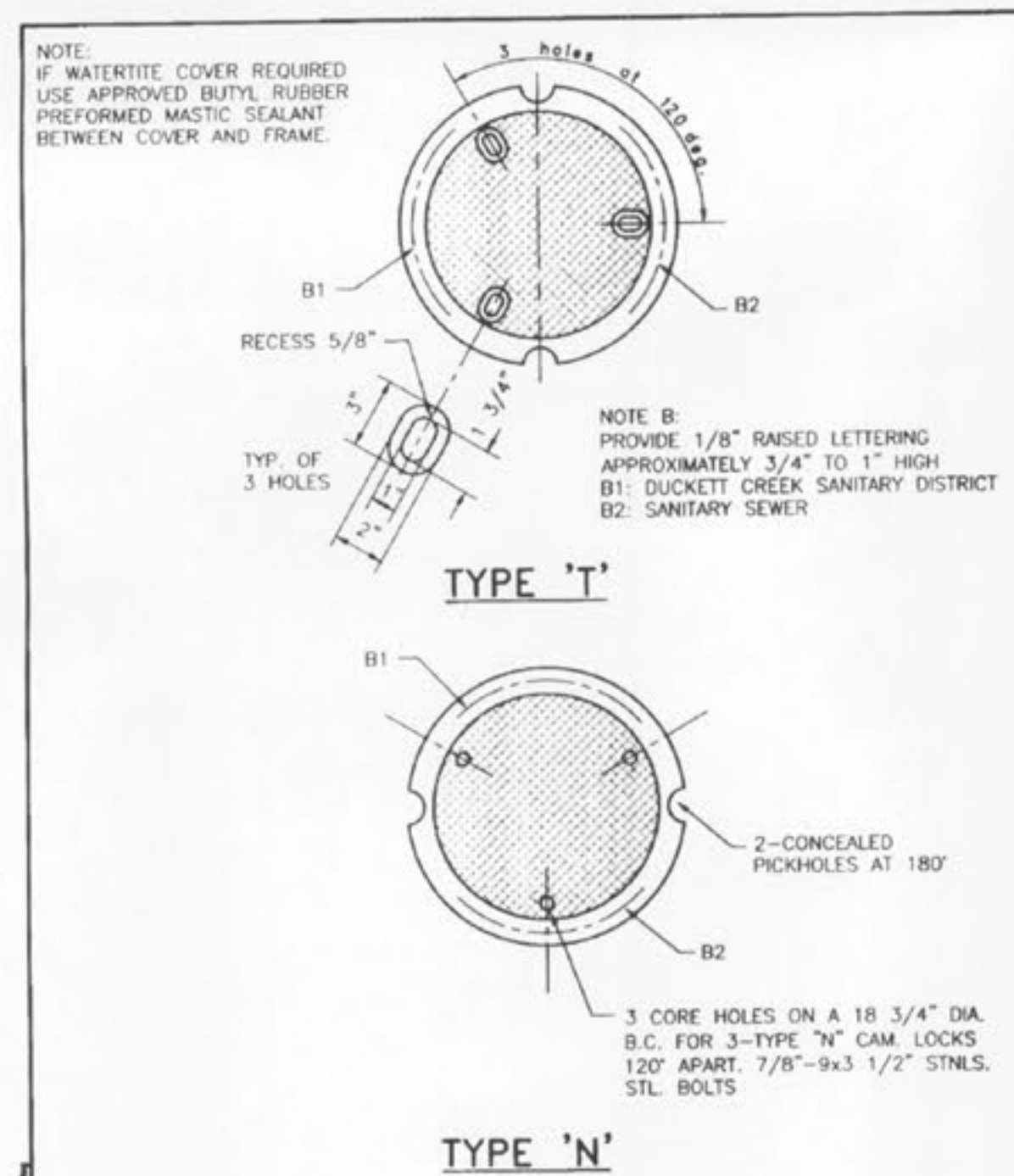
LOCKING DEVICE FOR TYPE 'N' LOCK TYPE MANHOLE COVER	Des. By: BSM	App. By: KLA	Detail No. 16
	Chk. By: MDOB	Date: 12-28-00	



Duckett Creek Sanitary District

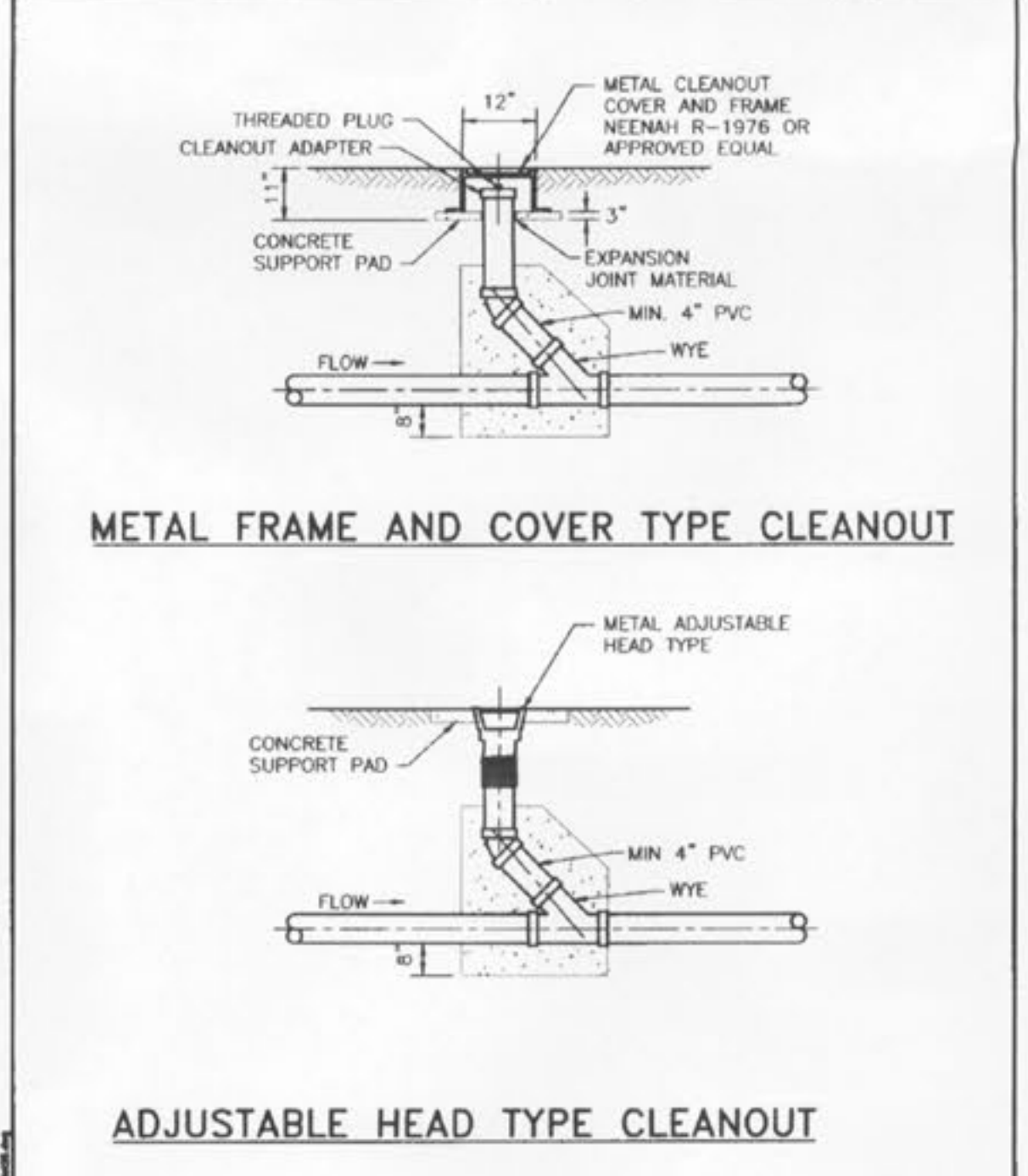
MANHOLE STEP PRECAST MANHOLE	Des. By: BSM	App. By: KLA	Detail No. 18
	Chk. By: MDOB	Date: 1-3-01	

NOTE:
***ALL STRUCTURES ARE TO REQUIRE A 2/10 DROP CAST BOTTOM**
***ALL STRUCTURAL REBAR TO REQUIRE 31 MIL EPOXY COATING**



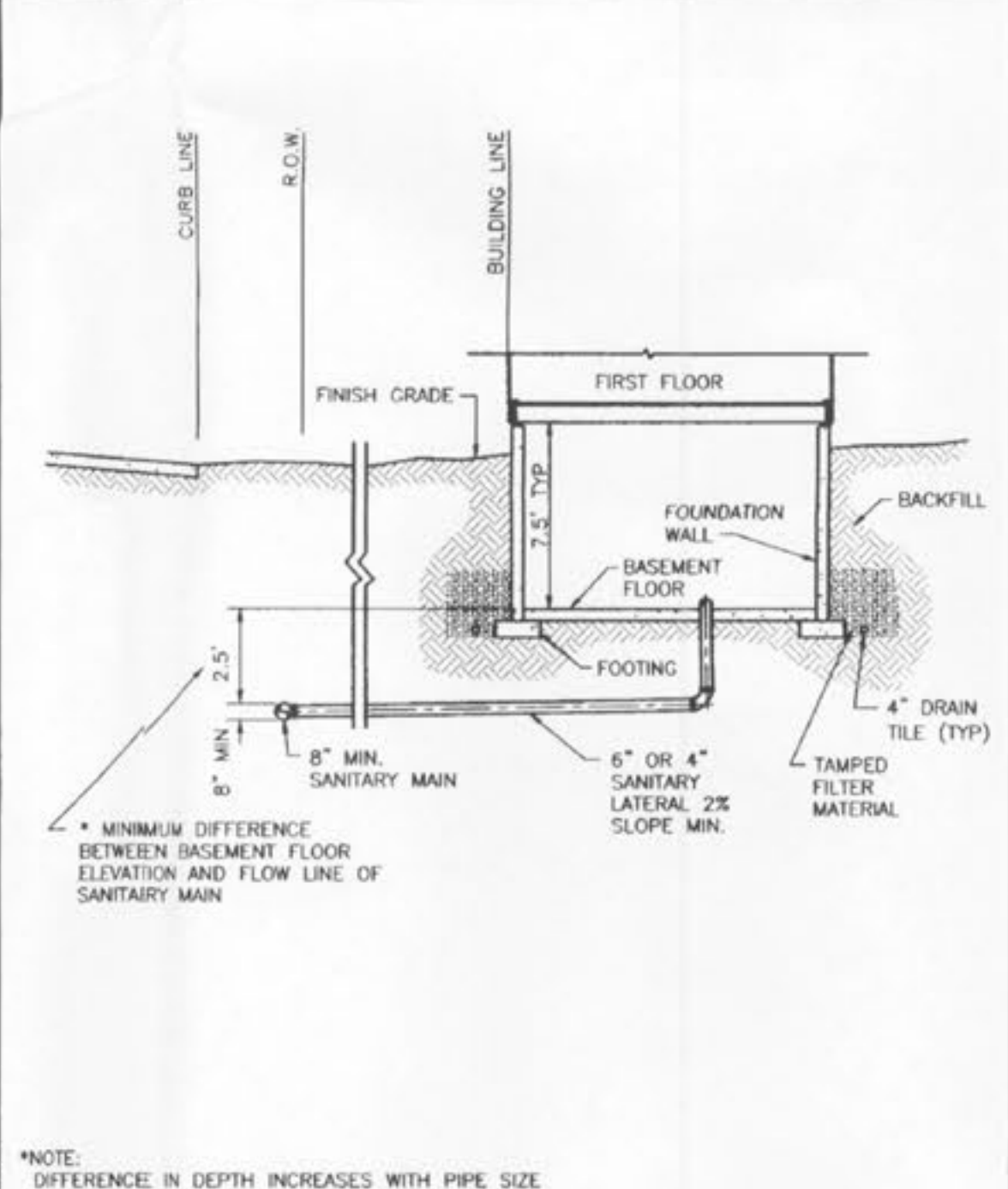
Duckett Creek Sanitary District

CAST IRON MANHOLE COVERS (LOCK TYPE)	Des. By: BSM	App. By: KLA	Detail No. 14
	Chk. By: MDOB	Date: 12-27-00	



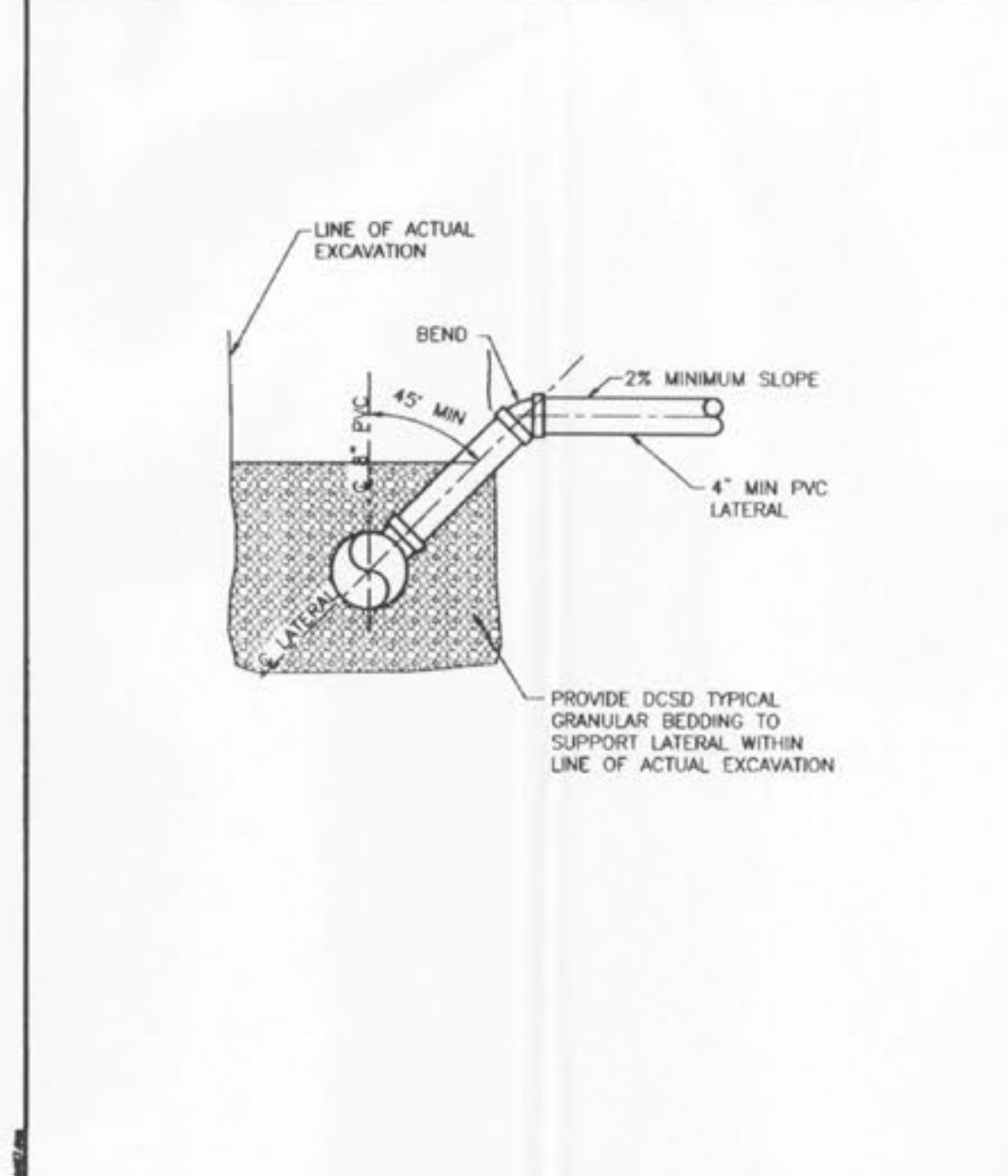
Duckett Creek Sanitary District

TYPICAL SEWER LATERAL CLEANOUT DETAILS	Des. By: BSM	App. By: KLA	Detail No. 25
	Chk. By: MDOB	Date: 1-8-01	



Duckett Creek Sanitary District

TYPICAL SANITARY SEWER LATERAL PROFILE	Des. By: BSM	App. By: KLA	Detail No. 26
	Chk. By: MDOB	Date: 1-9-01	



Duckett Creek Sanitary District

SANITARY SEWER LATERAL RISER DETAIL	Des. By: BSM	App. By: KLA	Detail No. 27
	Chk. By: MDOB	Date: 1-9-01	

LAYOUT: 02/14/05
 DATE: 10/02/02
 DRAWING: S:\0955\0955.dwg

REVISIONS

12-28-05	1	CITY OF FALLON COMMENTS
02-09-06	2	CITY OF FALLON COMMENTS
04-03-06	3	CITY OF FALLON COMMENTS
05-02-06	4	MOJO COMMENTS

DEVELOPER/OWNER:
R3 DEVELOPMENT, LLC
 7800 HIGHWAY N
 O'FALLON, MO 63366
 (636) 561-3948

THE PROFESSIONAL ENGINEER'S SIGNATURE AND PERSONAL SEAL SHALL APPEAR IN THIS DOCUMENT IN ACCORDANCE WITH THE REQUIREMENTS OF THE MISSOURI PROFESSIONAL ENGINEERING ACT (CHAPTER 320, R.S.M.O.) AND THE MISSOURI PROFESSIONAL SURVEYING ACT (CHAPTER 322, R.S.M.O.). ANY RESPONSIBILITY FOR ANY ERRORS OR OMISSIONS IN THIS DOCUMENT SHALL BE THE RESPONSIBILITY OF THE ENGINEER OR SURVEYOR. THIS DOCUMENT IS NOT TO BE USED FOR ANY PART OF ANY OTHER PROJECT.



THE HEIGHTS
 1809 HIGHWAY 79
 O'FALLON, MO 63366

Sanitary Sewer Details

planning • engineering • surveying • landscape architecture
Cole and Associates
 INCORPORATED
 10777 Sunset Office Dr., Suite 10
 Overland Park, MO 66207
 P: 314.984.9887 F: 314.984.0887

DESIGNED BY	JCB
DRAWN BY	JCB
CHECKED BY	MB
DATE	10/03/05
Job Number	05-143
Sheet Number	C10.5

P&Z #2705 & 2705.01