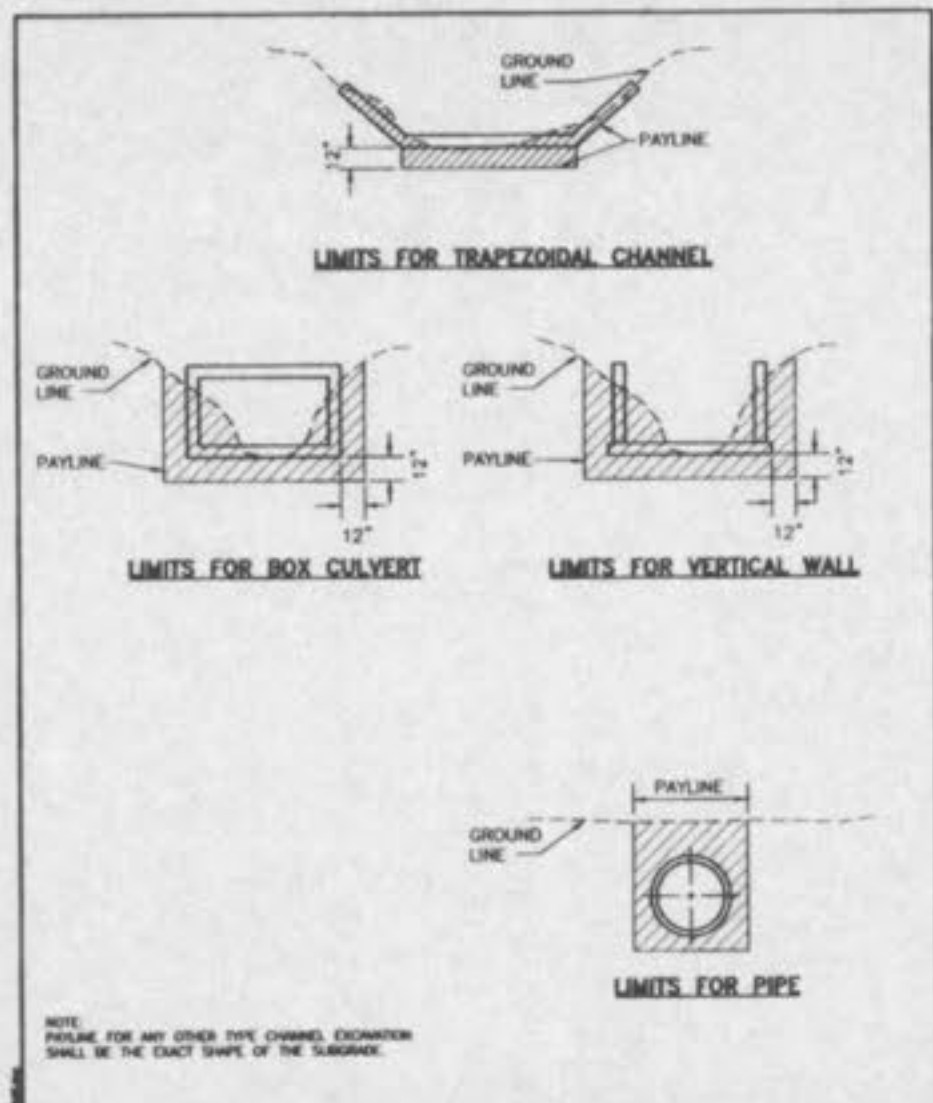
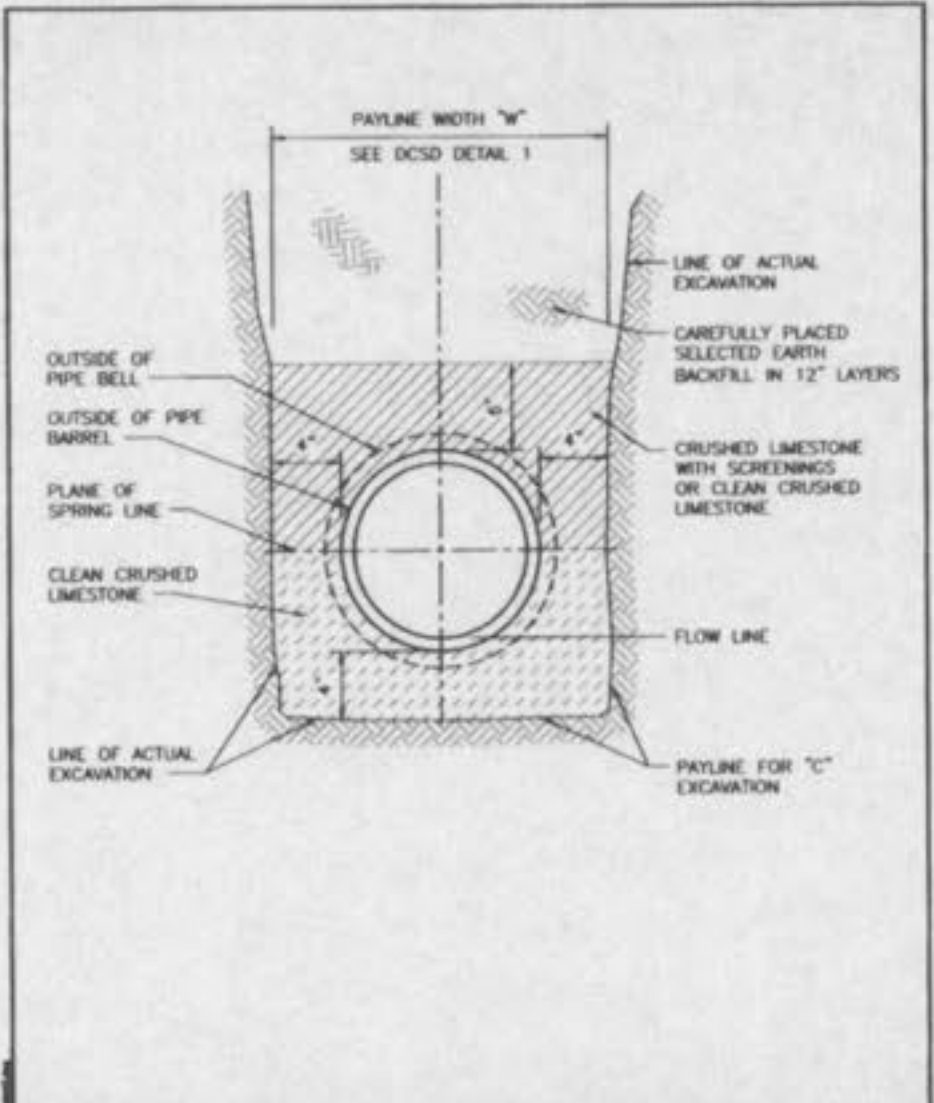


ROUND PIPE				HORIZONTAL ELLIPTICAL PIPE			
INSIDE DIAMETER OF PIPE (INCHES)	PAVLINE WIDTH OF TRENCH (INCHES)	PAVLINE WIDTH OF TRENCH (FEET)	CONCRETE ENCASUREMENT (INCHES)	INSIDE DIAMETER OF PIPE (INCHES)	PAVLINE WIDTH OF TRENCH (INCHES)	PAVLINE WIDTH OF TRENCH (FEET)	CONCRETE ENCASUREMENT (INCHES)
30	2.50	3.25	3.25				
36	2.50	3.59					
42	2.50	3.87					
48	2.50	4.09					
54	2.50	4.25					
60	3.00	5.55					
66	3.00	5.77	14 x 23	41	3.42	5.94	
72	3.00	6.01					
78	3.25	6.61					
84	3.50	7.39	19 x 30	49	4.08	7.68	
90	3.75	8.18	22 x 34	53	4.42	8.81	
96	4.08	9.30	24 x 38	58	4.83	9.70	
102	4.42	10.53	27 x 42	62	5.17	10.71	
108	4.87	11.43	29 x 45	66	5.50	11.72	
114	DISCONTINUED						
120	5.25	13.38	34 x 53	75	6.25	14.05	
126	5.63	15.87	38 x 60	83	6.92	16.18	
132	6.42	18.15	43 x 68	92	7.67	18.81	
138	7.00	20.73	48 x 76	101	8.42	21.58	
144	7.58	23.45	53 x 83	109	9.08	24.35	
150	8.17	26.37	58 x 91	118	9.83	27.45	
156	8.75	29.39	63 x 98	126	10.50	30.50	
162	9.33	32.57	68 x 106	135	11.25	33.91	
168	9.92	35.90	72 x 113	143	11.92	36.99	
174	10.50	39.37	77 x 121	152	12.67	40.69	
180	11.08	42.99	82 x 128	160	13.33	44.45	
186	11.67	46.75	87 x 136	168	14.00	47.79	
192	12.25	50.66	92 x 143	176	14.67	51.70	
198	12.83	54.72	97 x 151	185	15.42	56.01	
204	13.42	58.92					
210	14.00	63.27	106 x 166	202	16.83	64.48	
216	15.17	72.40	116 x 180	218	18.17	73.58	

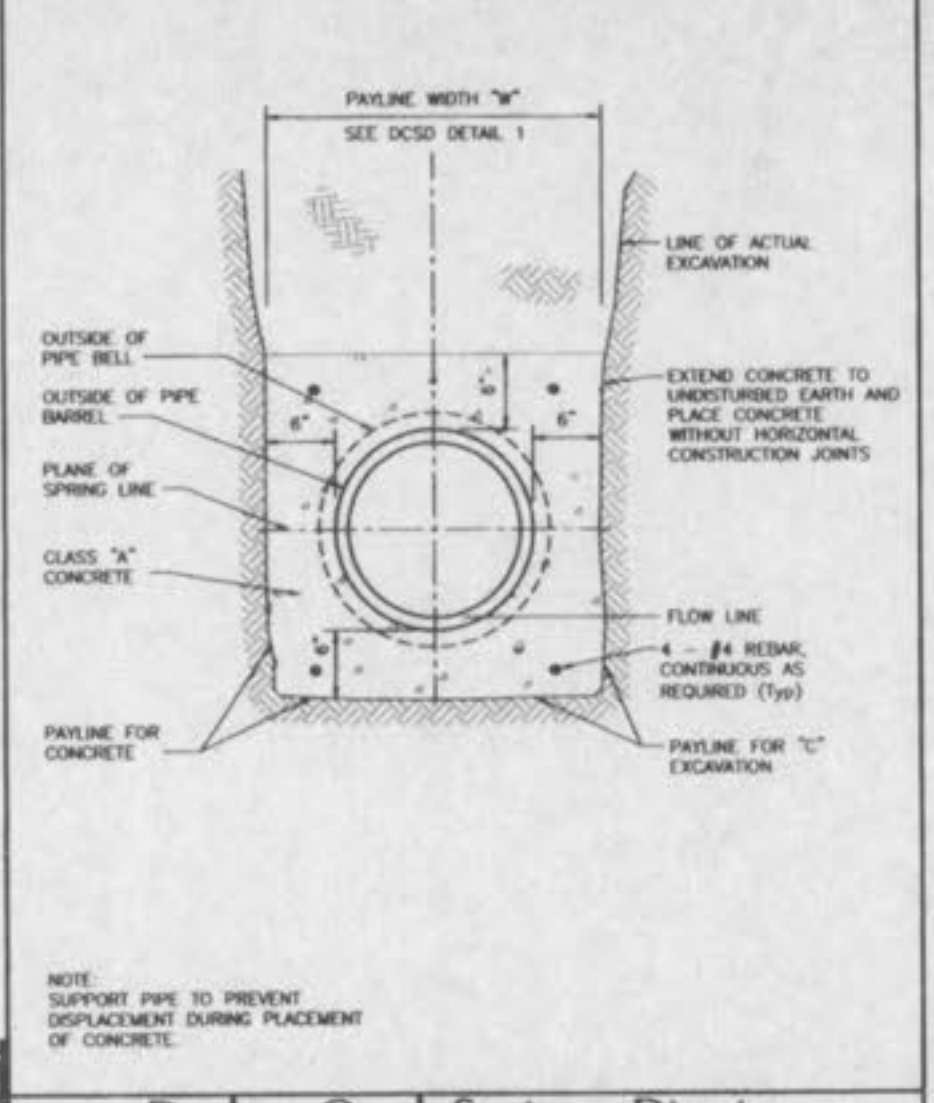
Duckett Creek Sanitary District
PAVLINE WIDTHS OF TRENCH AND PAY QUANTITIES OF CONCRETE



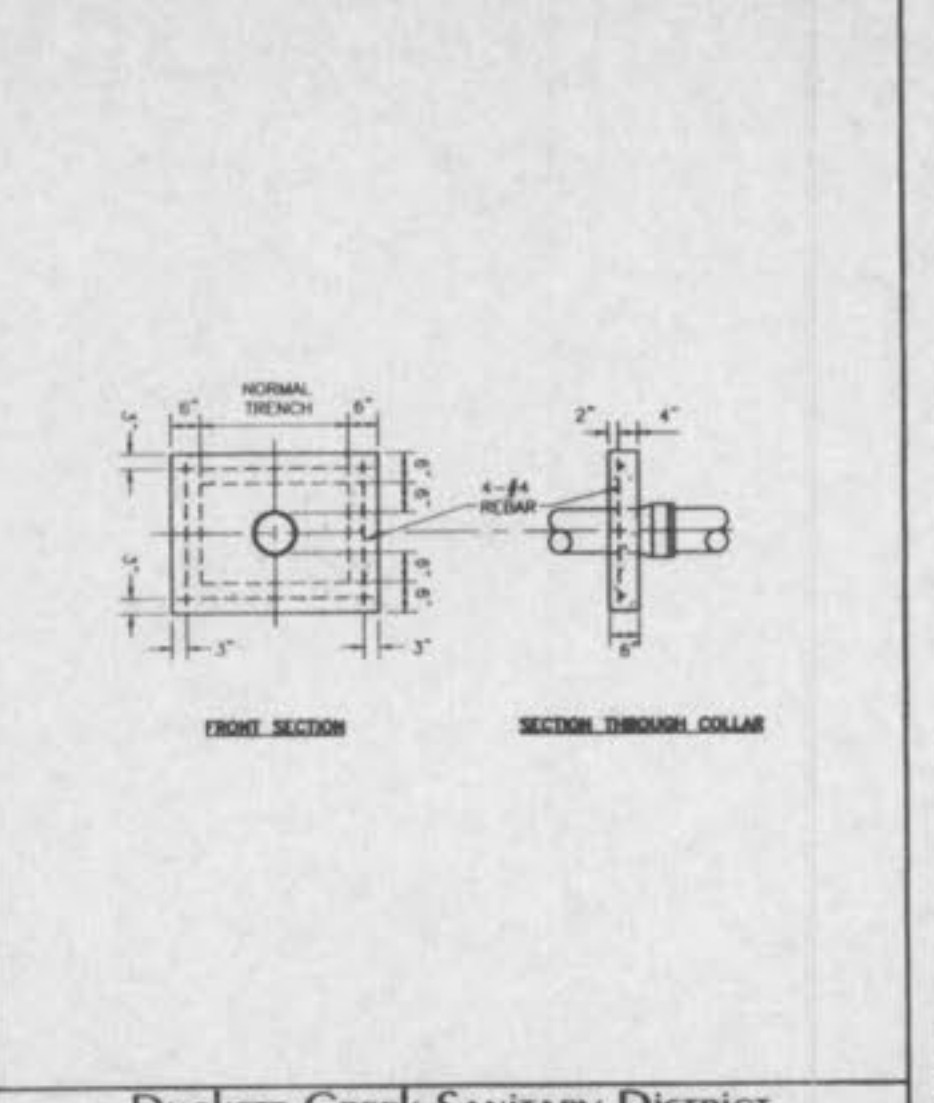
Duckett Creek Sanitary District
PAVLINE LIMITS FOR EXCAVATION



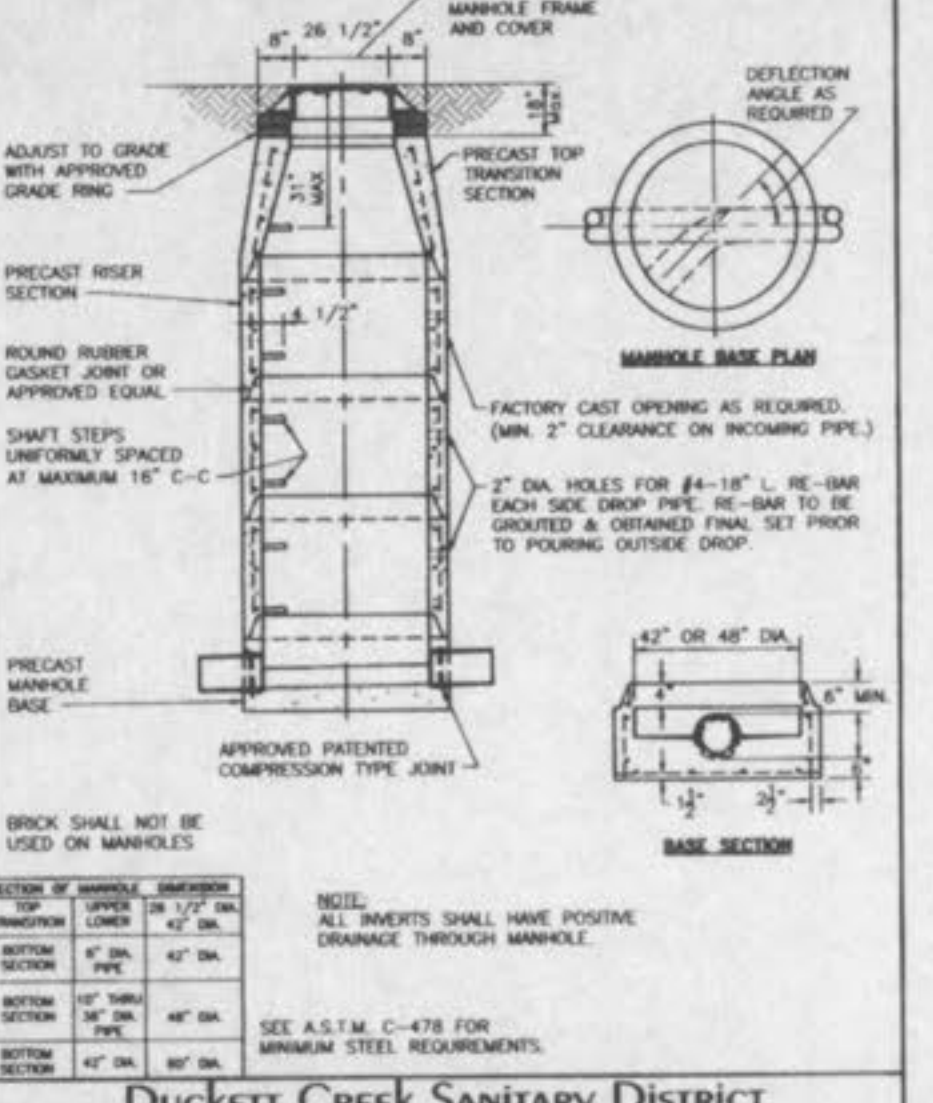
Duckett Creek Sanitary District
PIPE BEDDING CLASS "C" (FOR ALL PIPE EXCEPT REINFORCED CONCRETE PIPE)



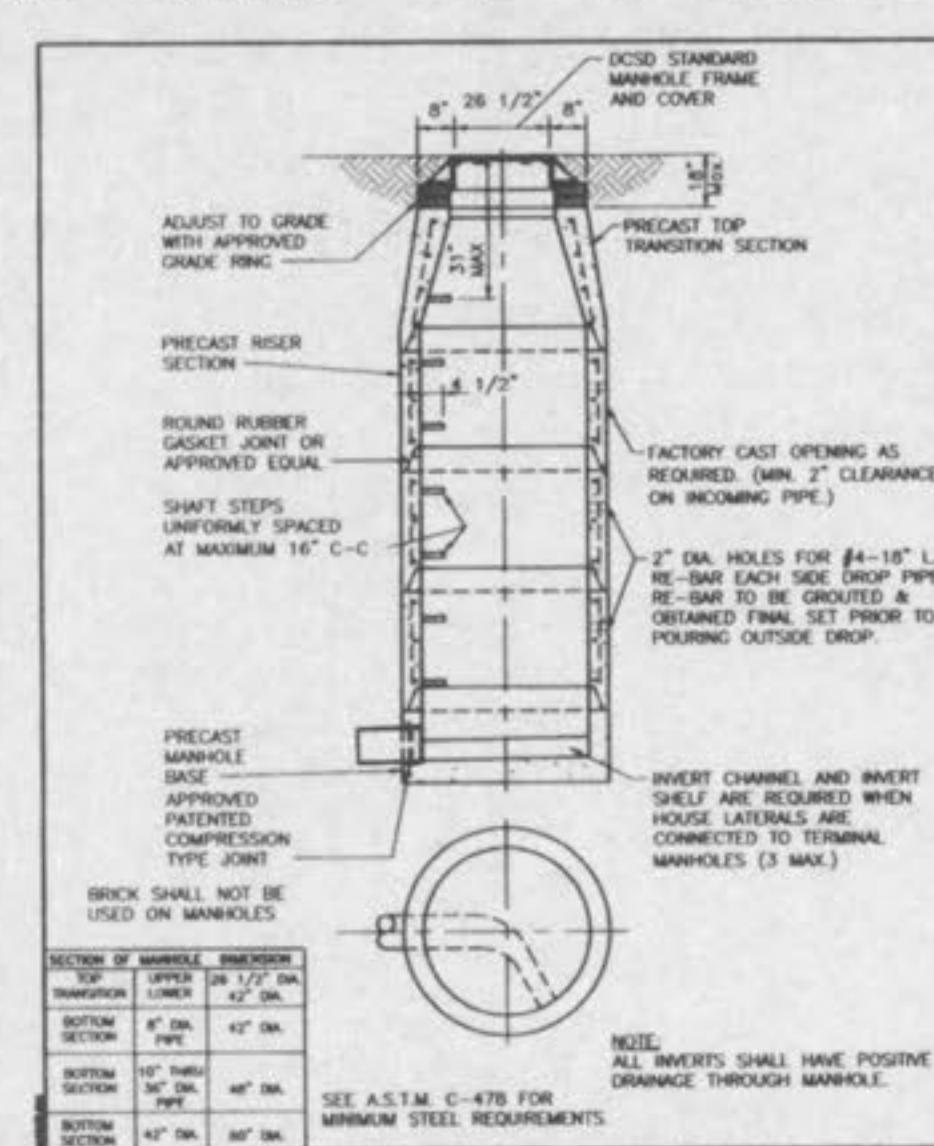
Duckett Creek Sanitary District
TYPICAL CONCRETE ENCASUREMENT



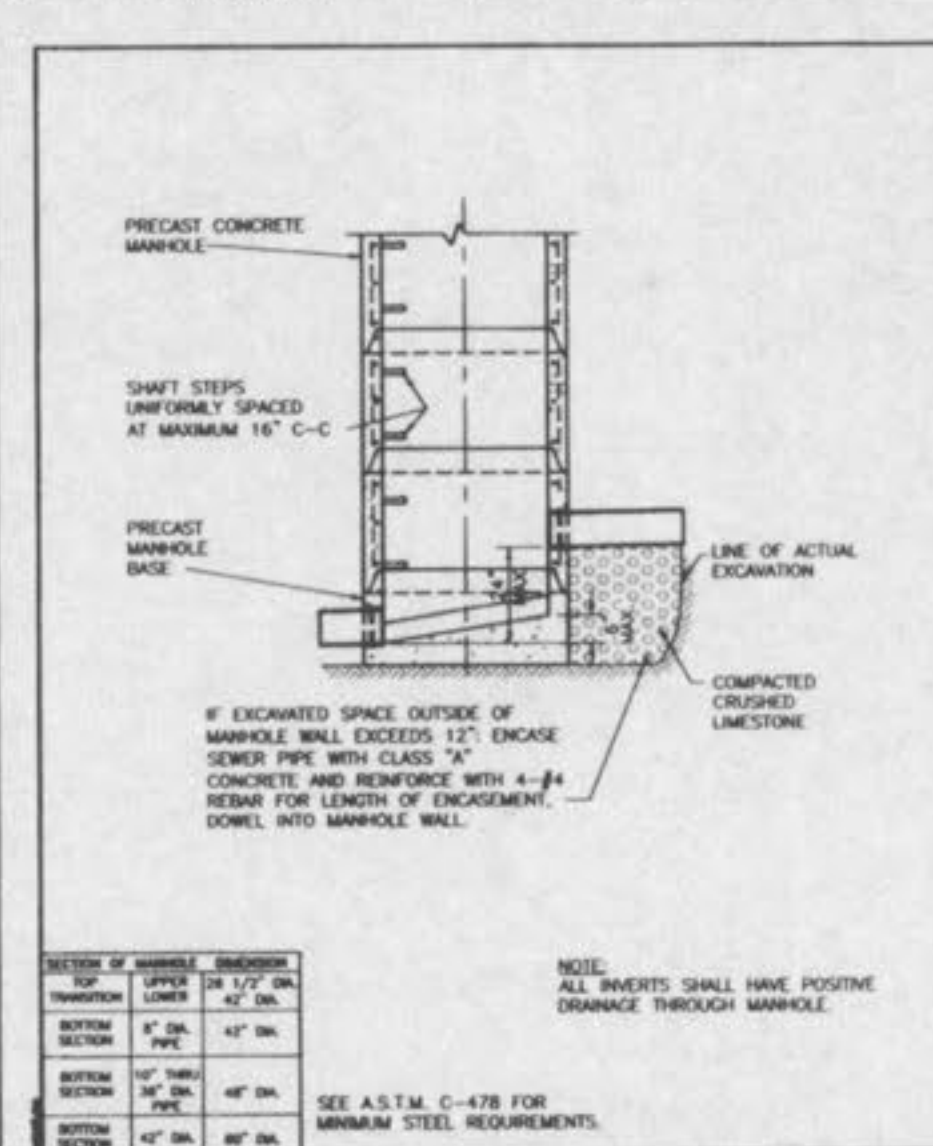
Duckett Creek Sanitary District
CONCRETE ANTI-SLIP COLLAR FOR PVC PIPE ON PIPE SLOPES FROM 15% TO 50%



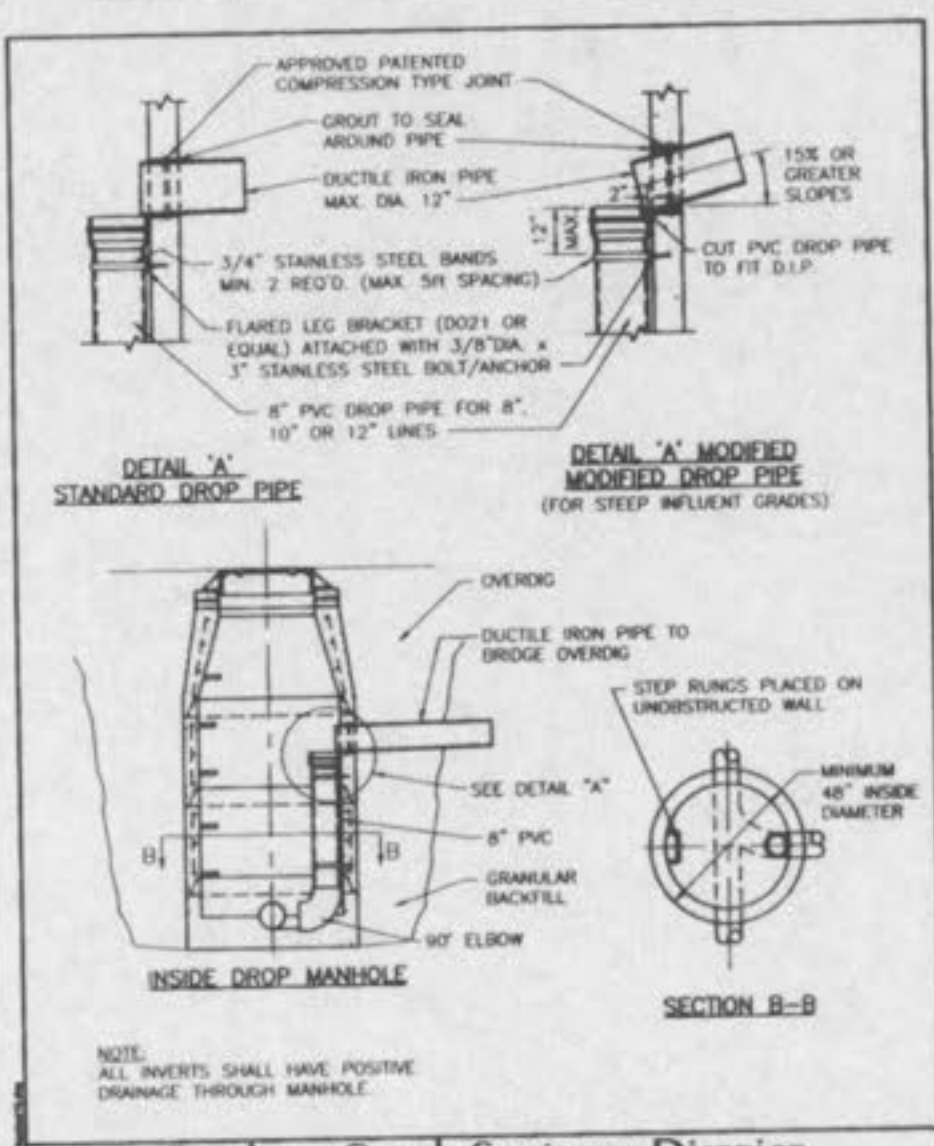
Duckett Creek Sanitary District
PRE-CAST CONCRETE MANHOLE FOR SEWERS 8" THROUGH 18"



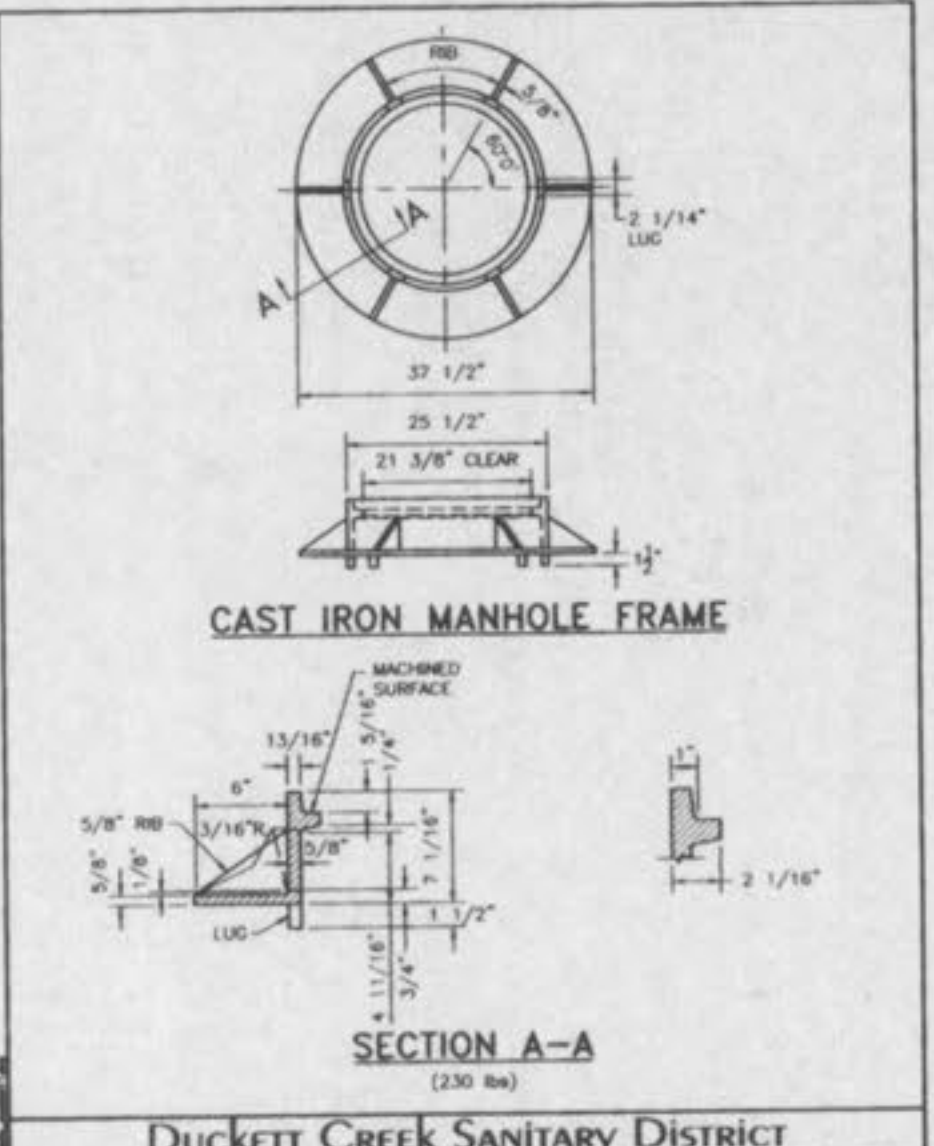
Duckett Creek Sanitary District
STANDARD CAST IRON MANHOLE FRAME AND COVER



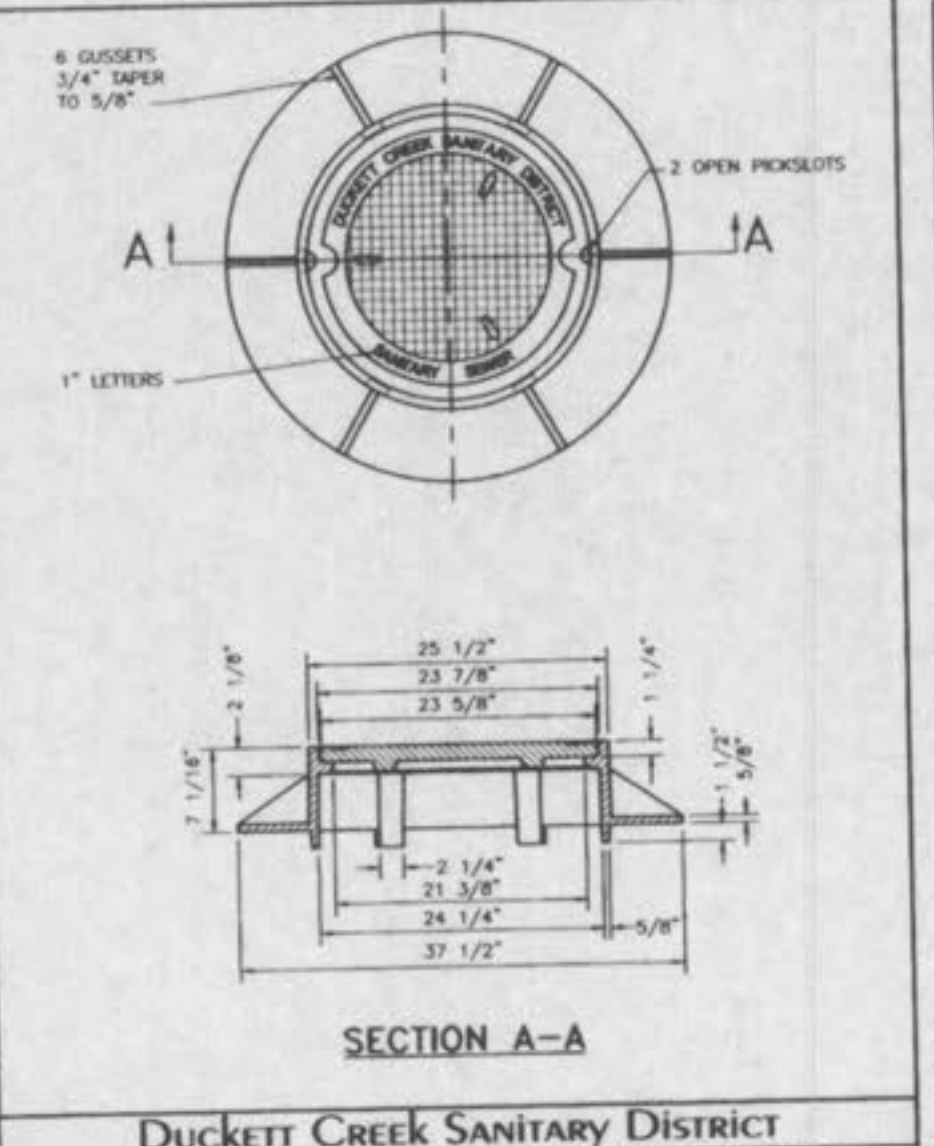
Duckett Creek Sanitary District
INSIDE DROP MANHOLE



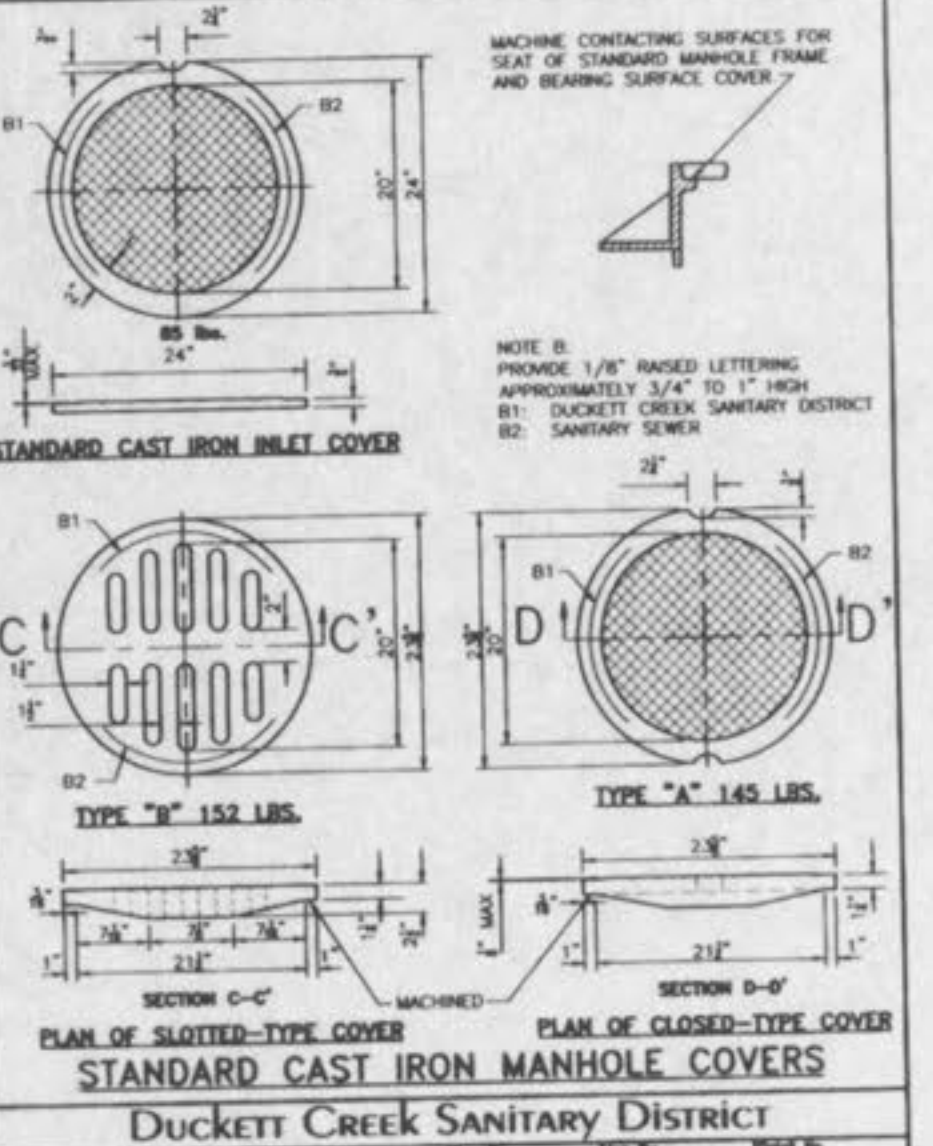
Duckett Creek Sanitary District
DETAIL "A" MODIFIED DROP PIPE (FOR STEEP INLET GRADES)



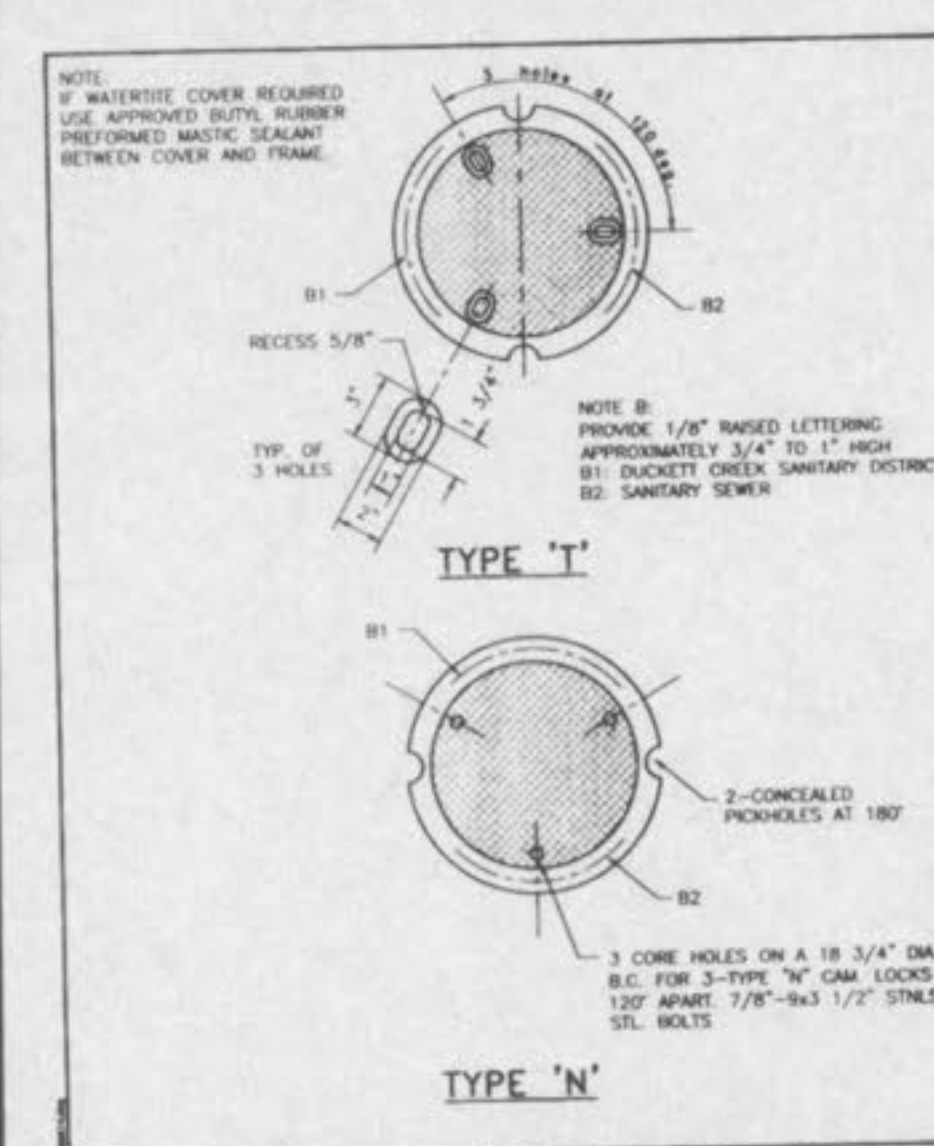
Duckett Creek Sanitary District
CAST IRON MANHOLE FRAME (230 lbs)



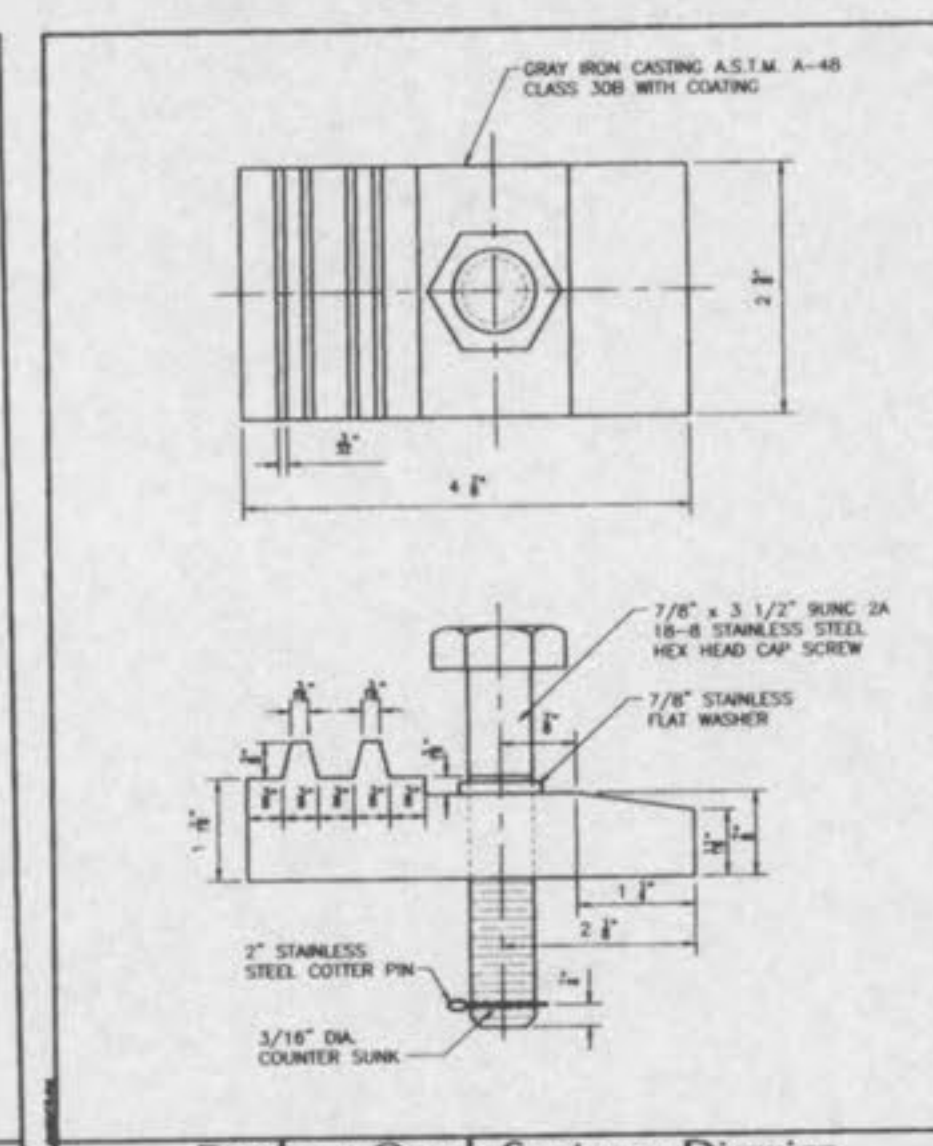
Duckett Creek Sanitary District
MANHOLE FRAME AND COVER



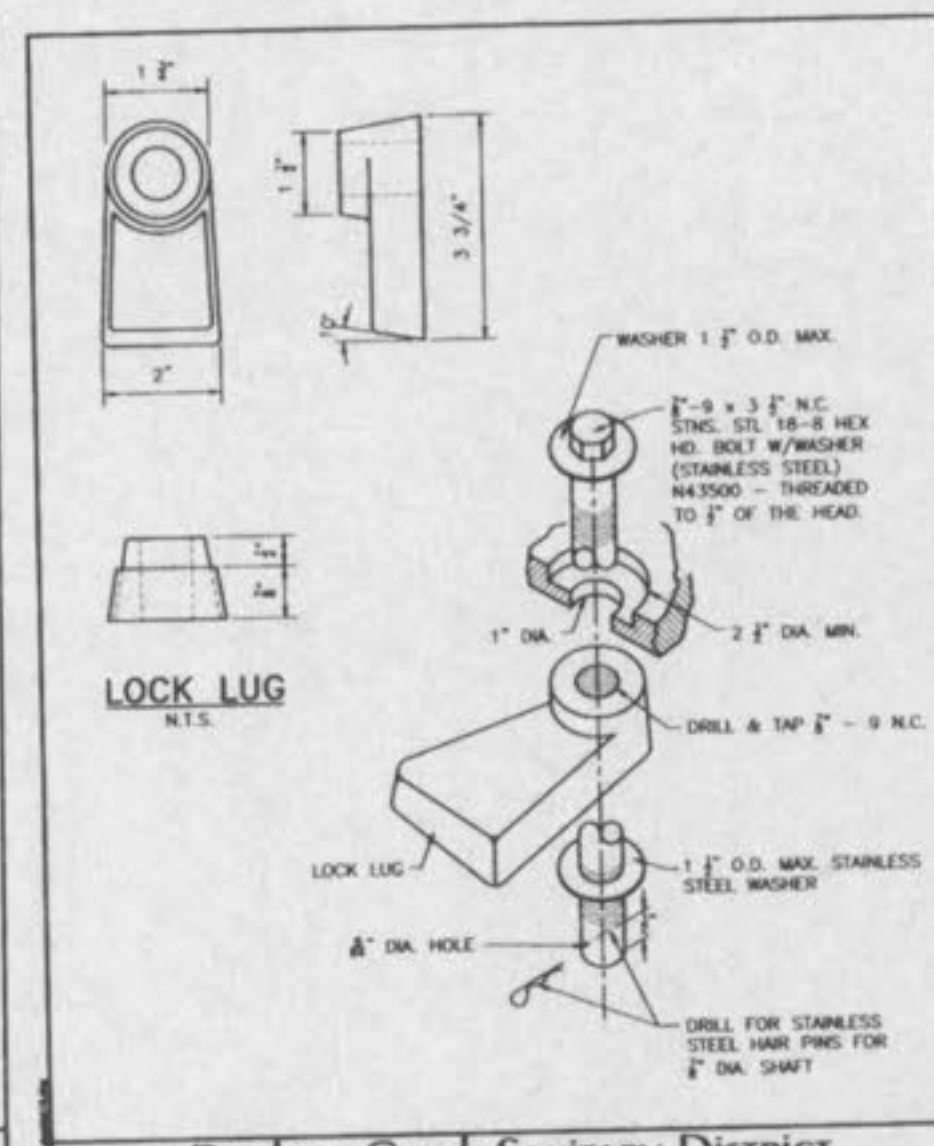
Duckett Creek Sanitary District
STANDARD CAST IRON MANHOLE COVERS



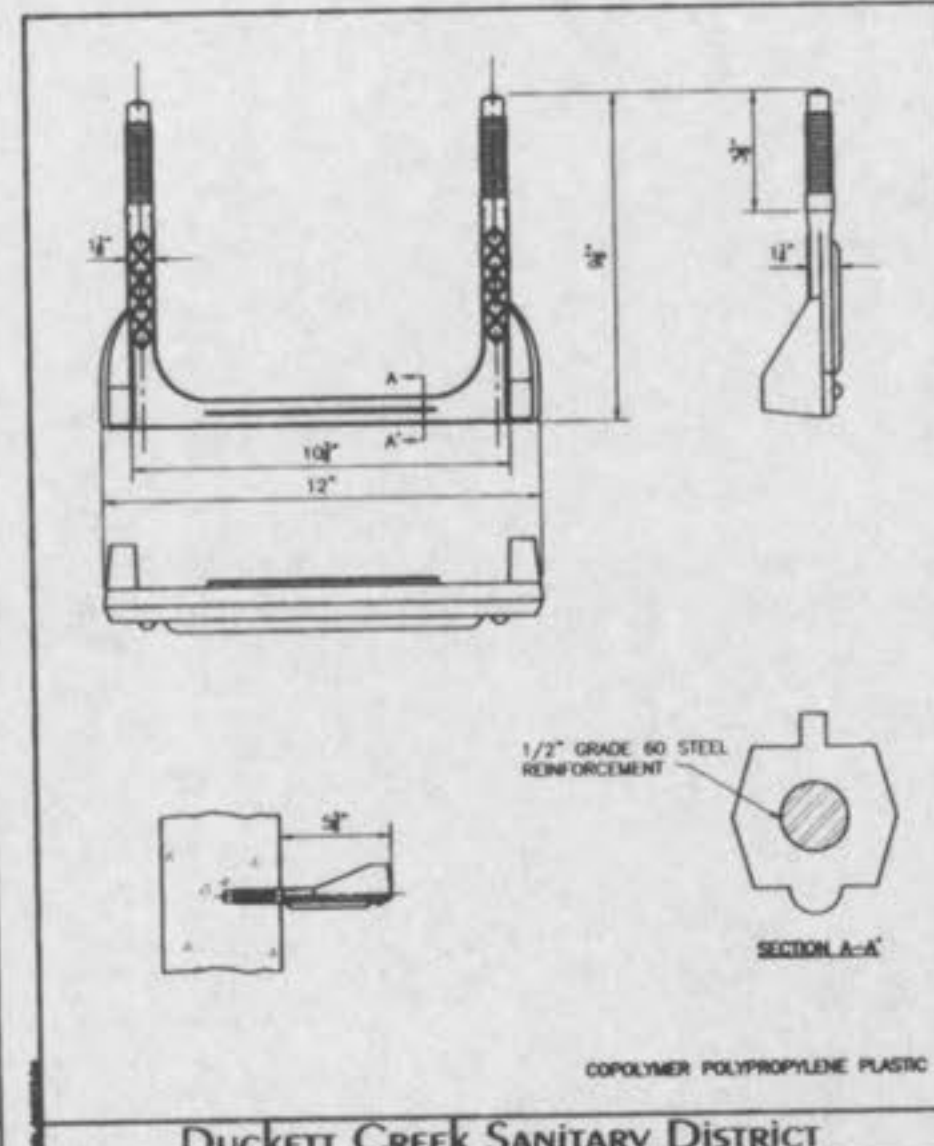
Duckett Creek Sanitary District
CAST IRON MANHOLE COVERS (LOCK TYPE)



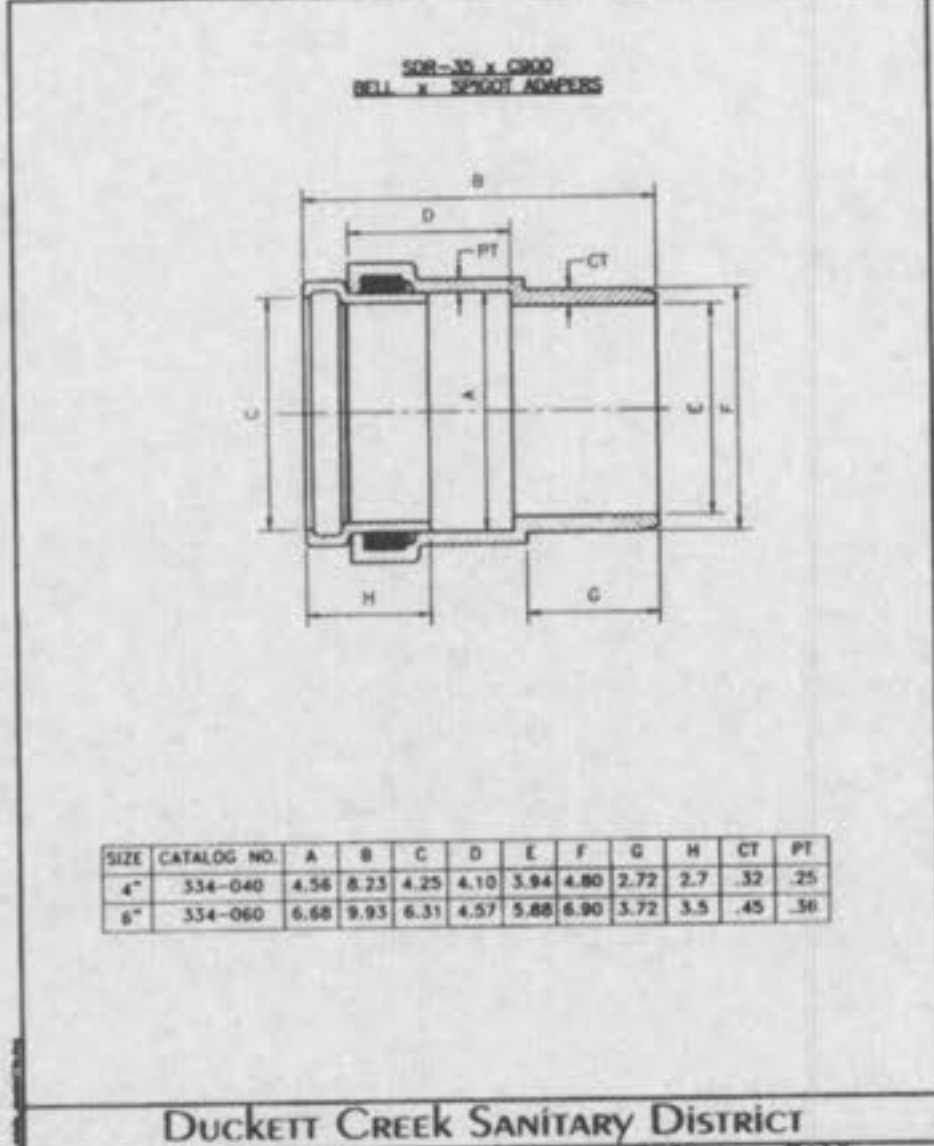
Duckett Creek Sanitary District
LOCKING DEVICE FOR TYPE "N" LOCK TYPE MANHOLE COVER



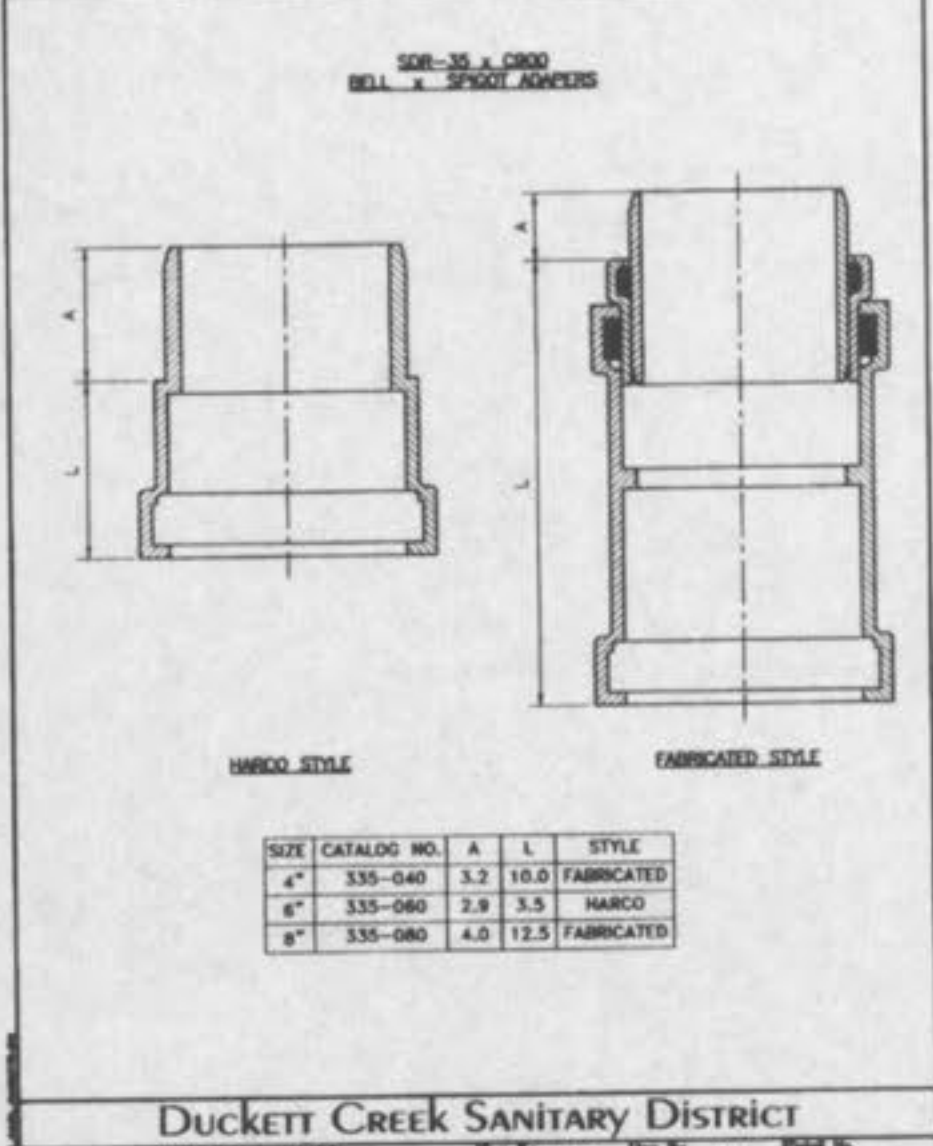
Duckett Creek Sanitary District
LOCK LUG



Duckett Creek Sanitary District
MANHOLE STEP PRECAST MANHOLE



Duckett Creek Sanitary District
BELL AND SPIGOT ADAPTERS



Duckett Creek Sanitary District
BELL AND SPIGOT ADAPTERS

HIDDEN CREEK
SANITARY DETAILS 1

ST. CHARLES ENGINEERING & SURVEYING, INC.
801 S. FIFTH STREET, SUITE 202
ST. CHARLES, MO 63301
TEL: (636) 947-0607 FAX: (636) 947-2448

S E I S



ORDER NO. 02-0162
DATE 08/21/03

D-6