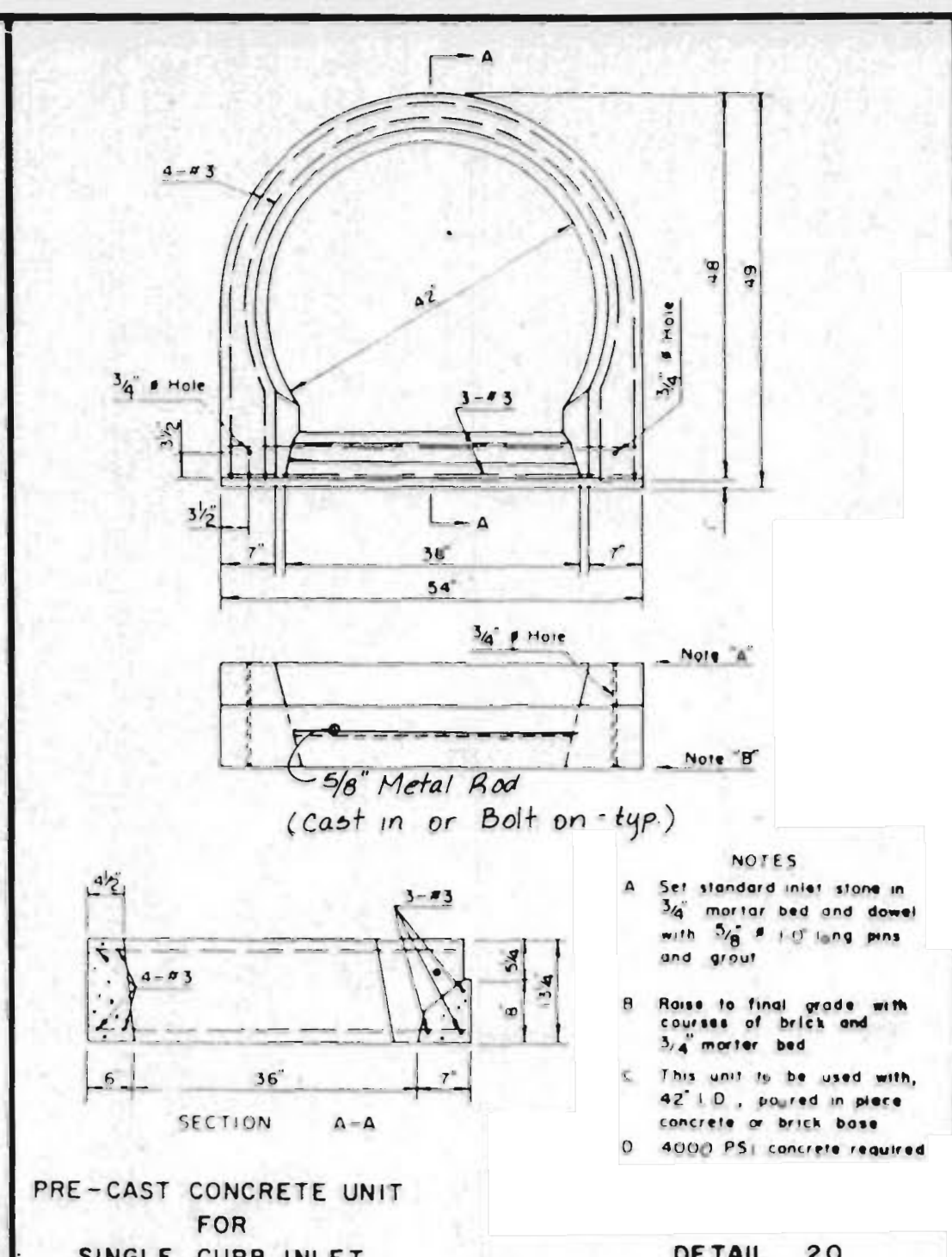
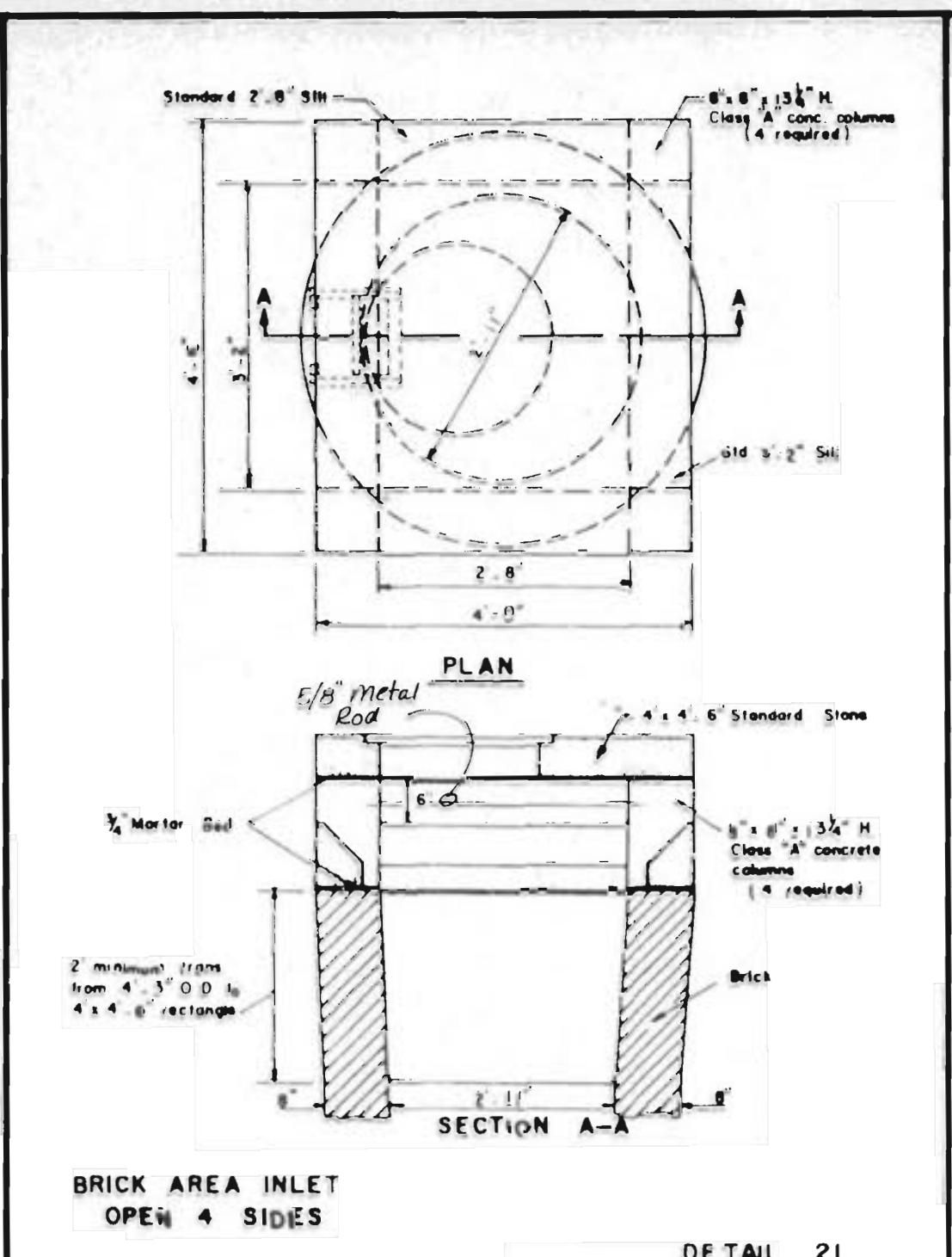


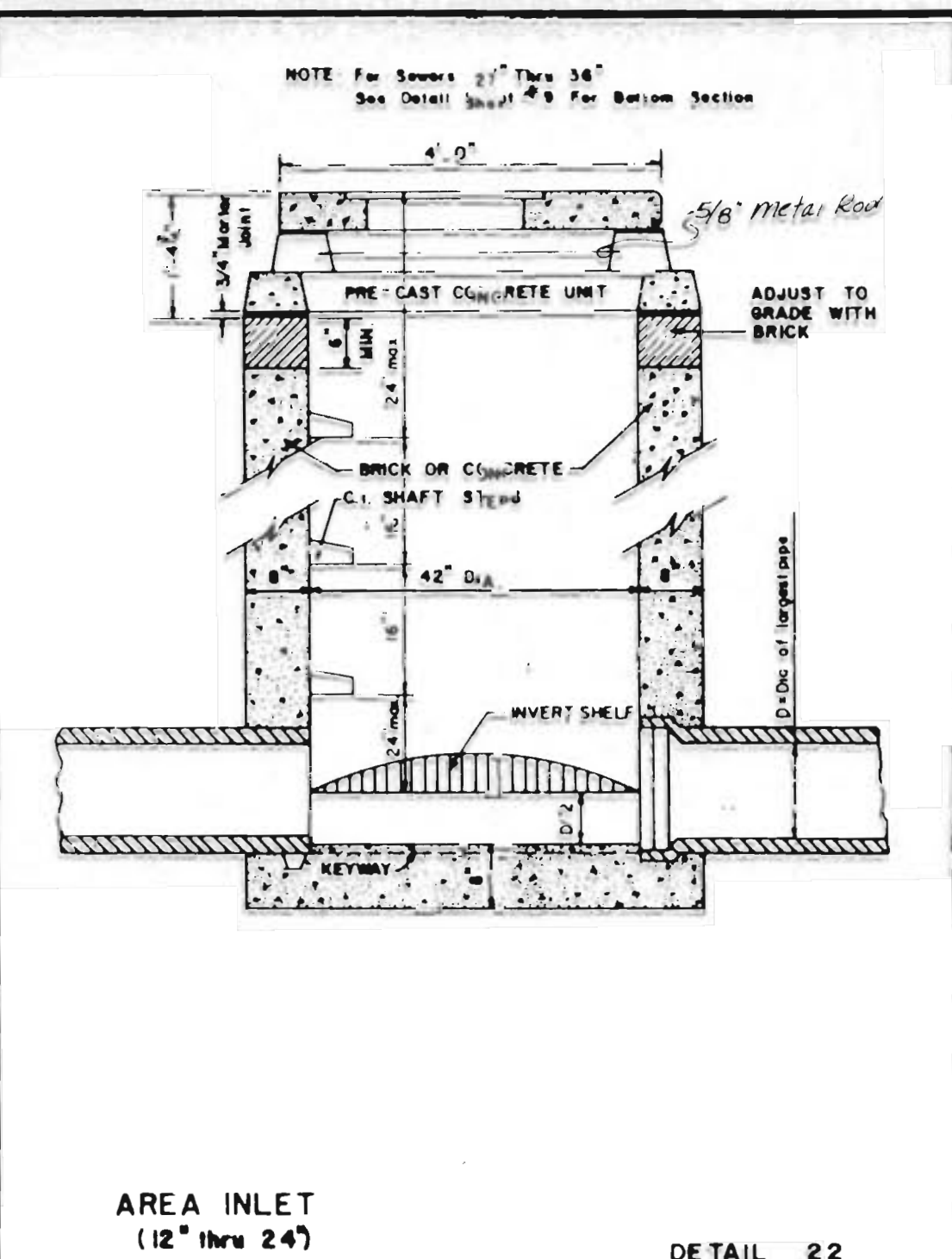
UNTRAPPED STREET INLET BRICK CONSTRUCTION DETAIL 19



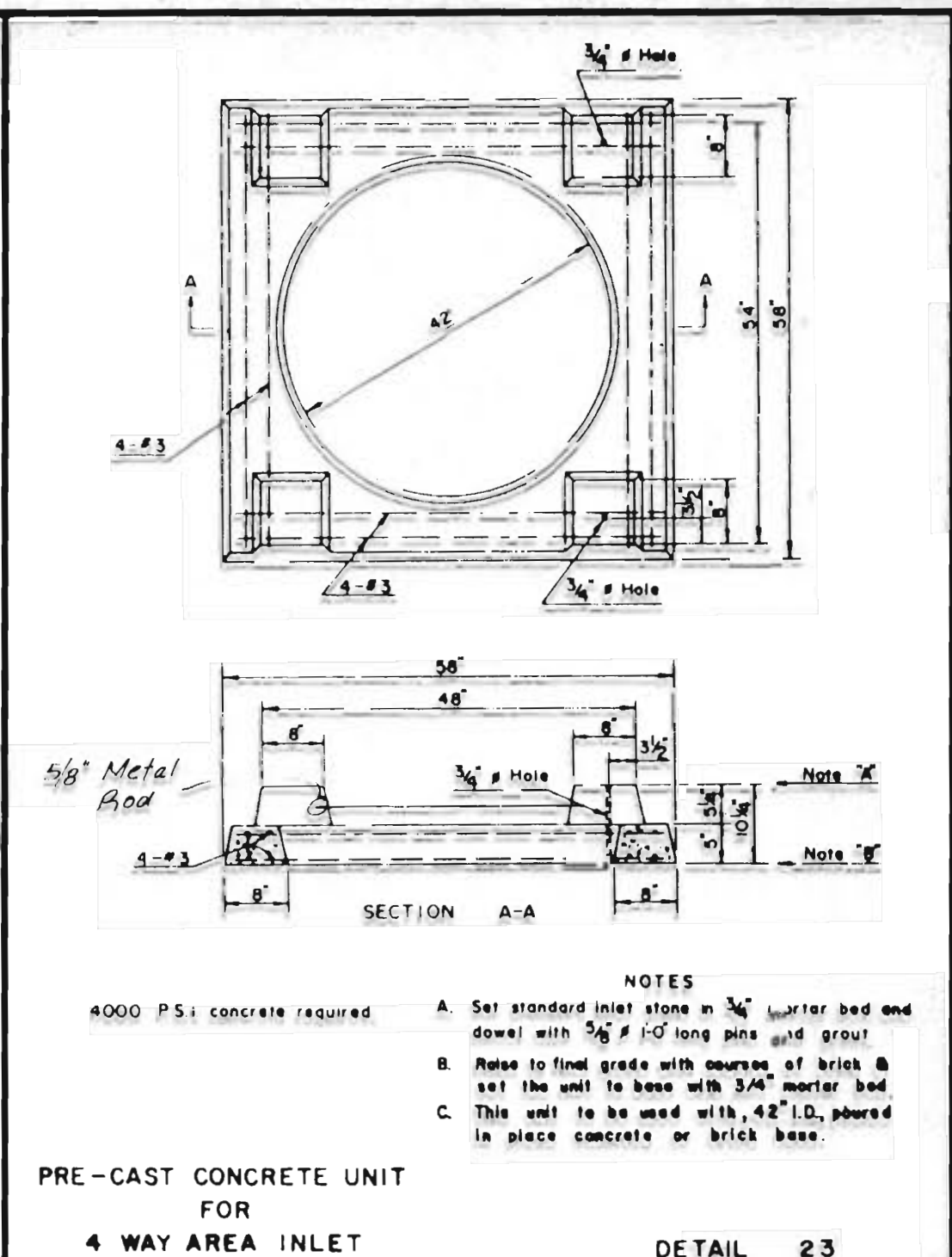
PRE-CAST CONCRETE UNIT FOR SINGLE CURB INLET DETAIL 20



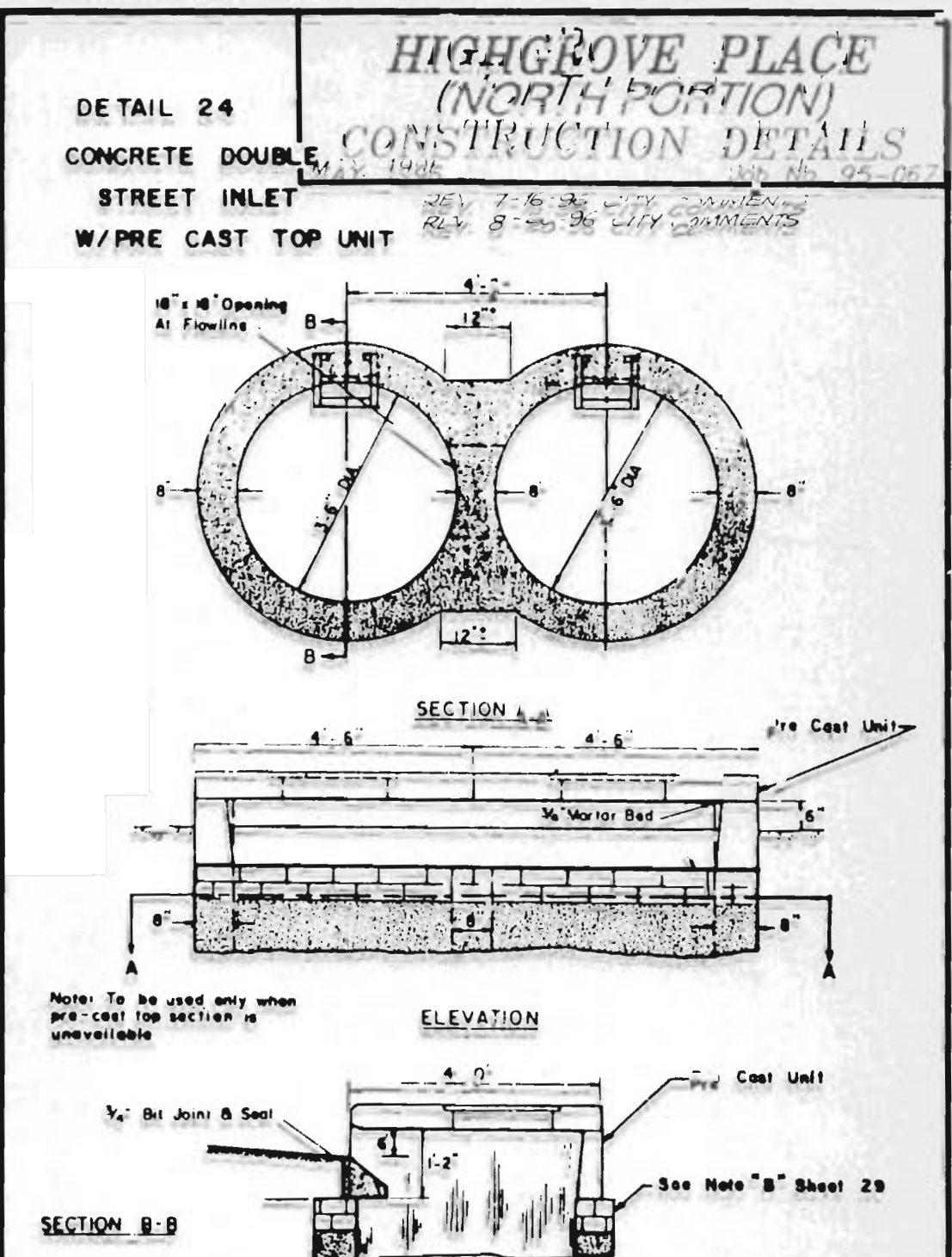
BRICK AREA INLET OPEN 4 SIDES DETAIL 21



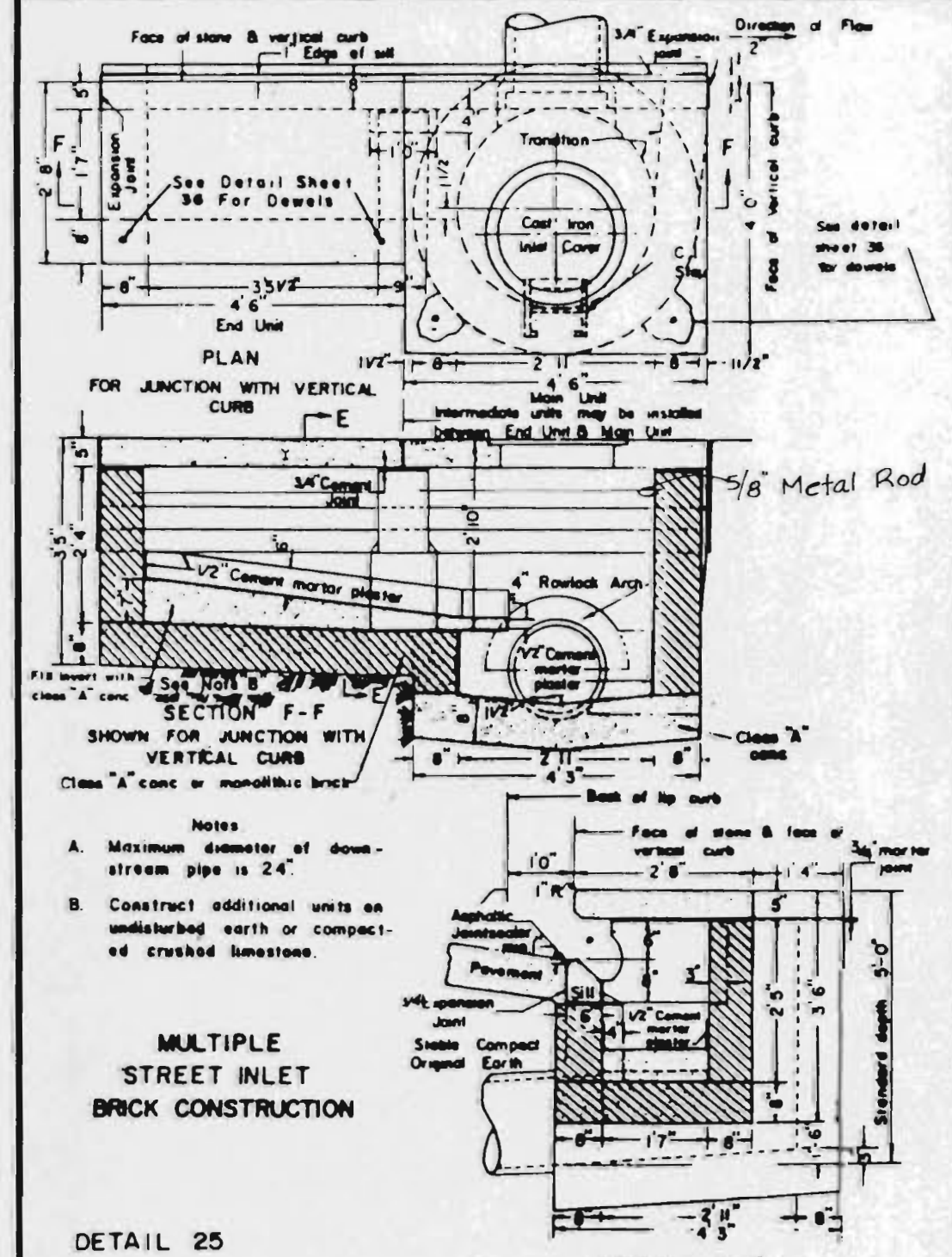
AREA INLET (12" thru 24") DETAIL 22



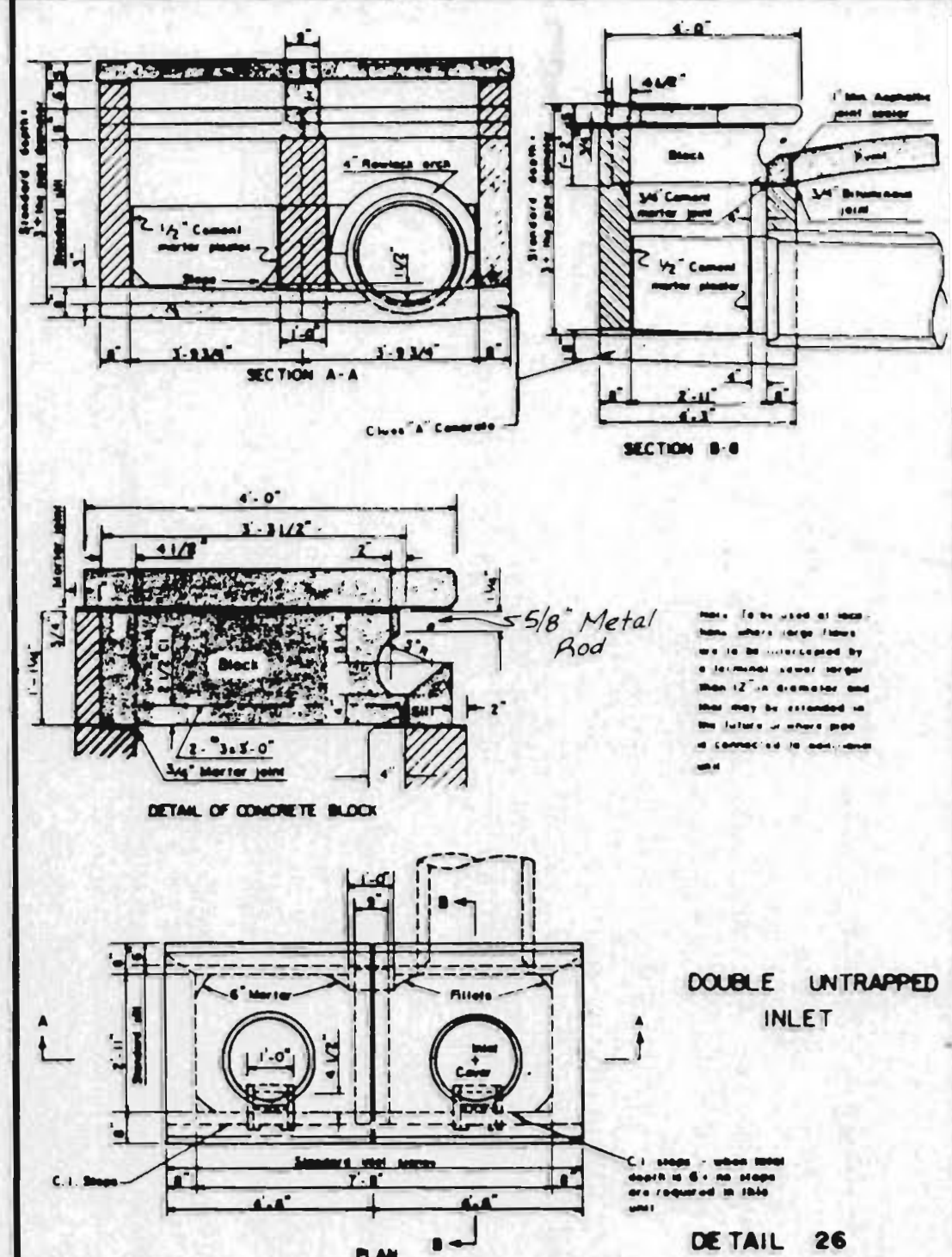
PRE-CAST CONCRETE UNIT FOR 4 WAY AREA INLET DETAIL 23



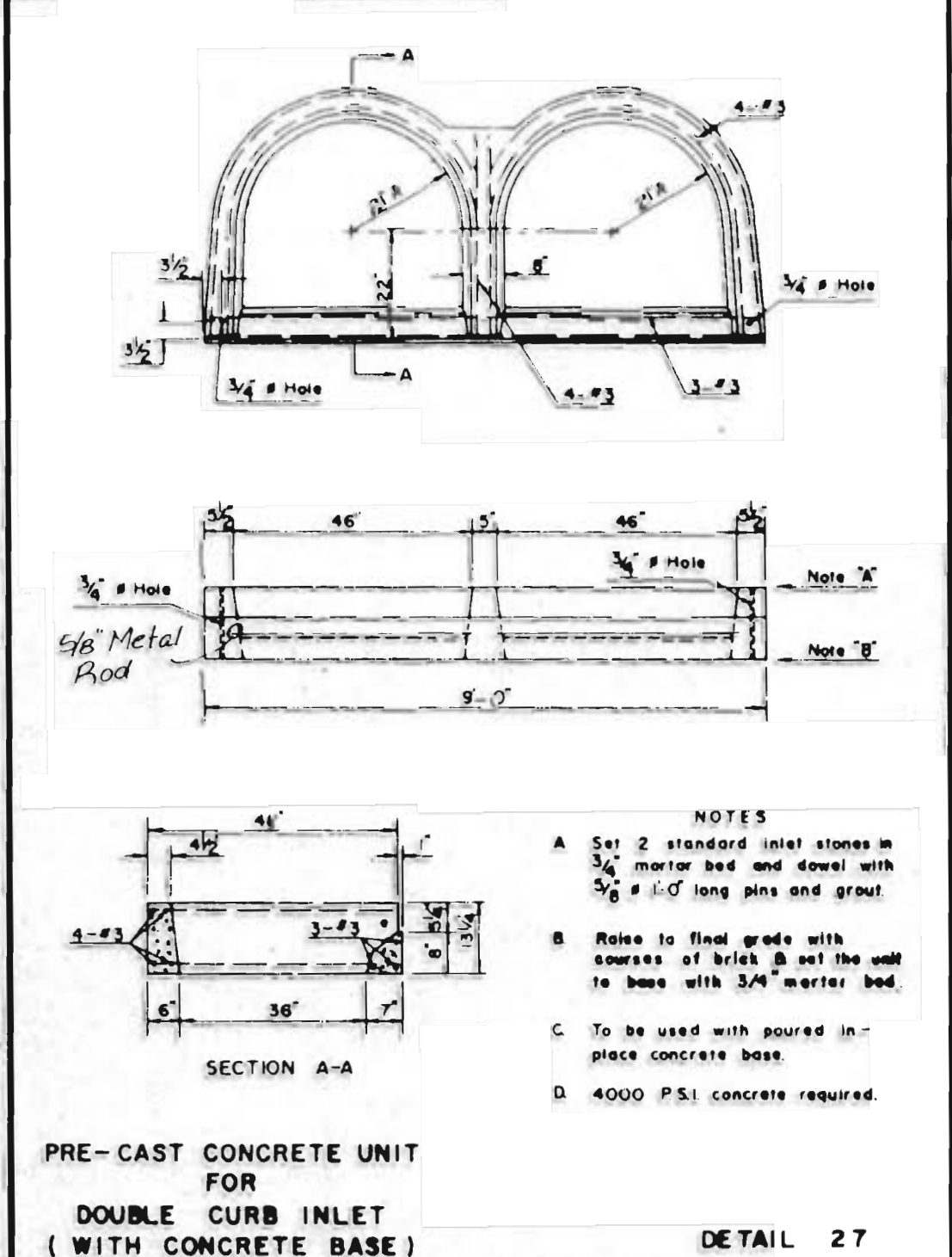
DETAIL 24 HIGH GROVE PLACE (NORTH PORTION) CONSTRUCTION DETAILS



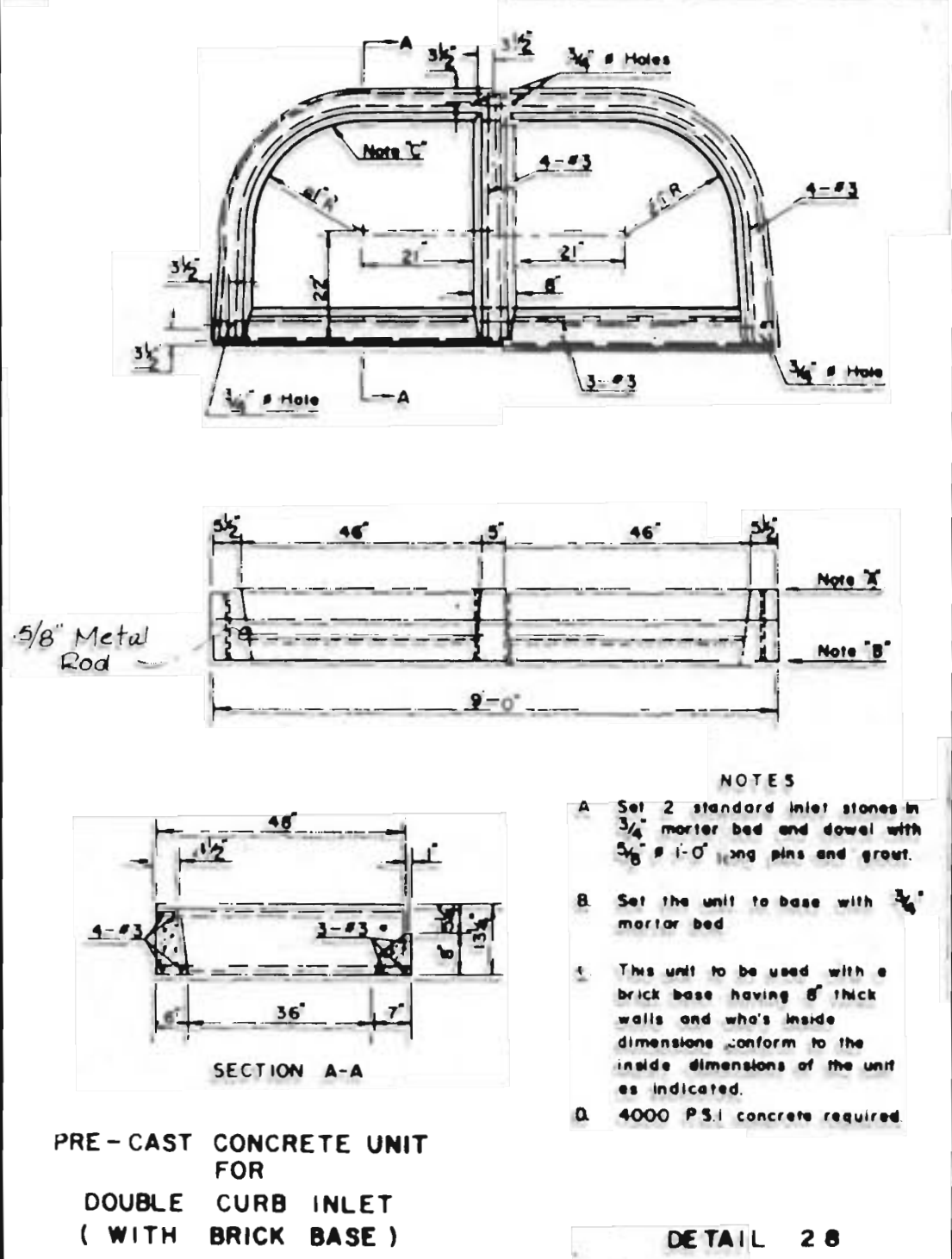
DETAIL 25 MULTIPLE STREET INLET BRICK CONSTRUCTION



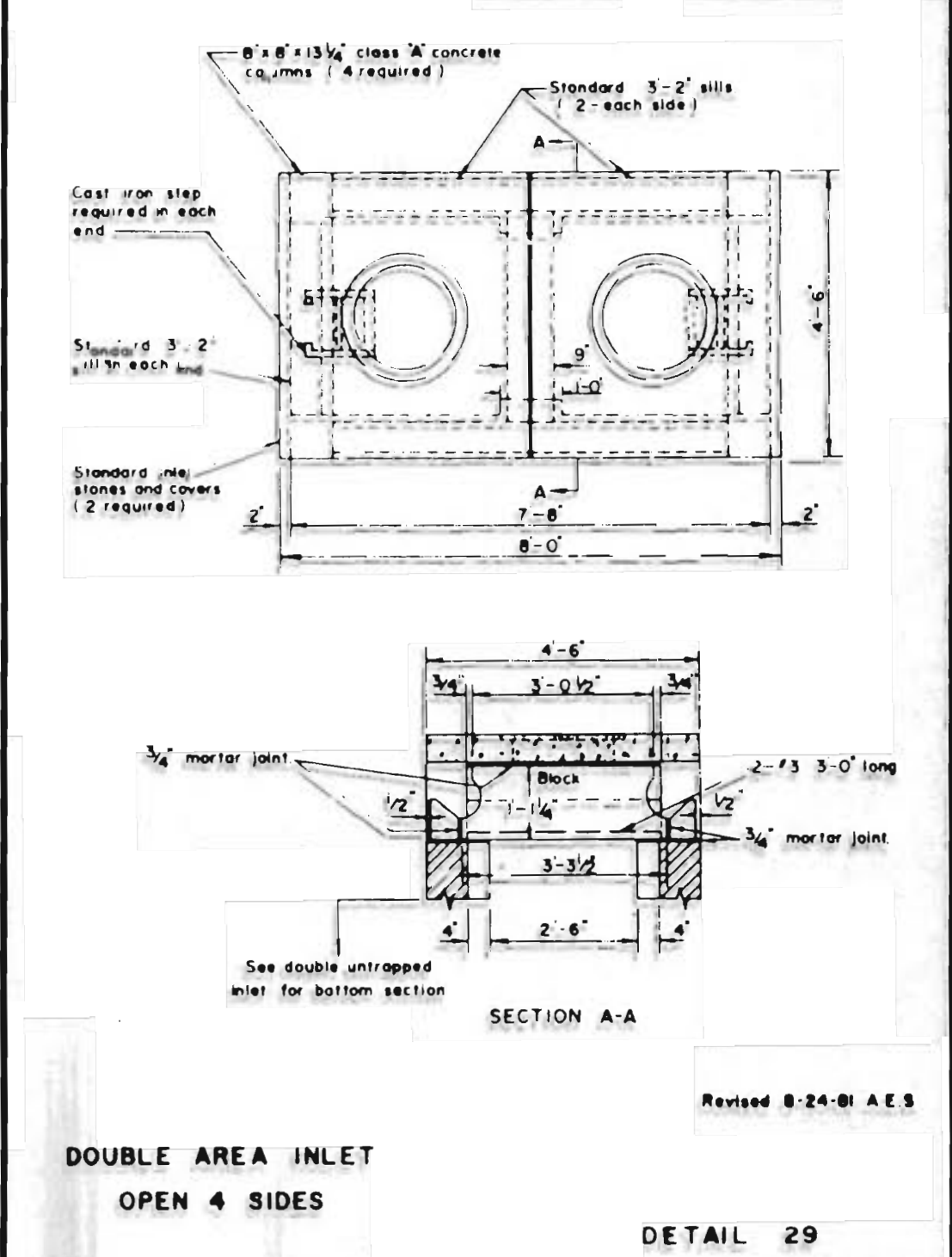
DETAIL 26 DOUBLE UNTRAPPED INLET



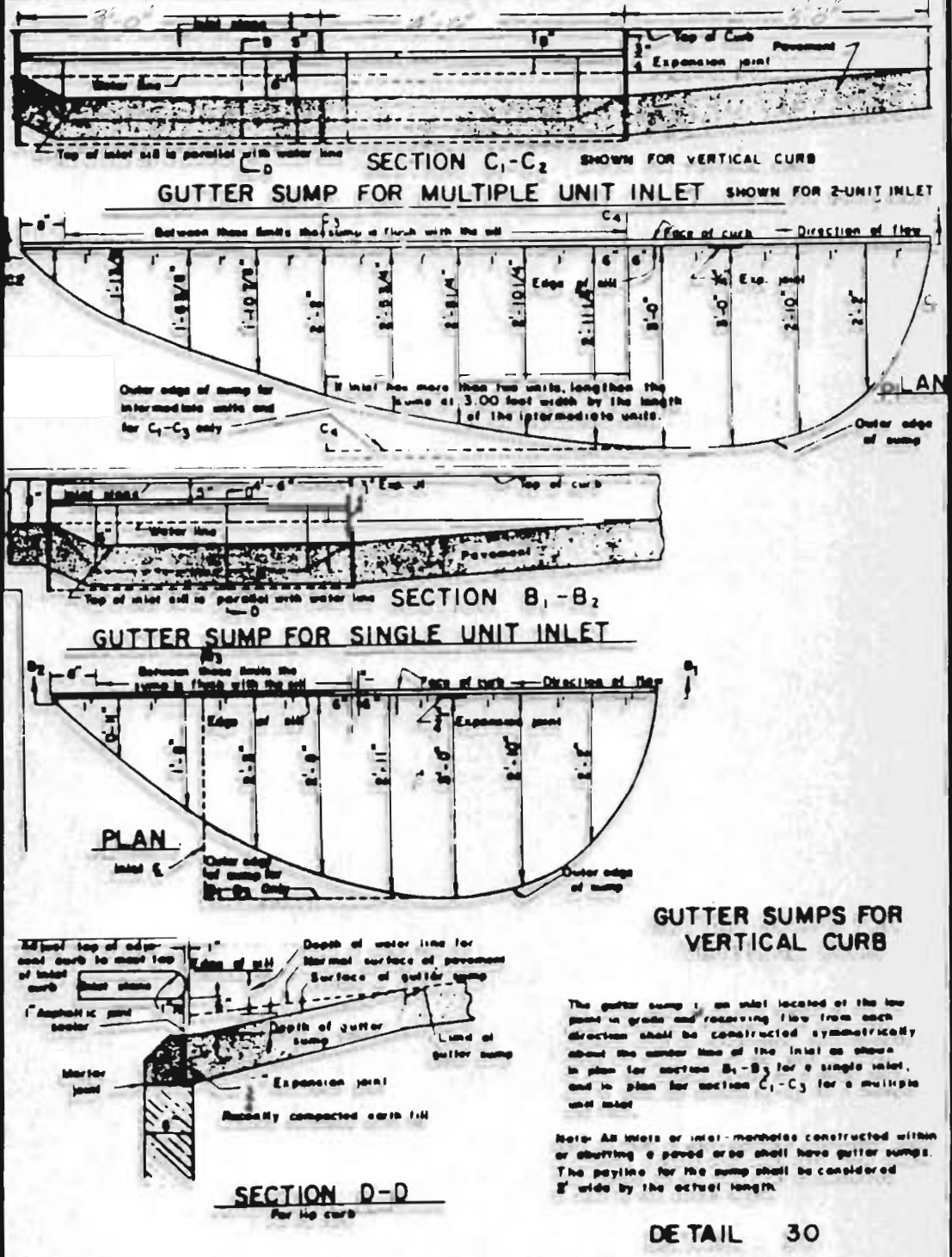
DETAIL 27 PRE-CAST CONCRETE UNIT FOR DOUBLE CURB INLET (WITH CONCRETE BASE)



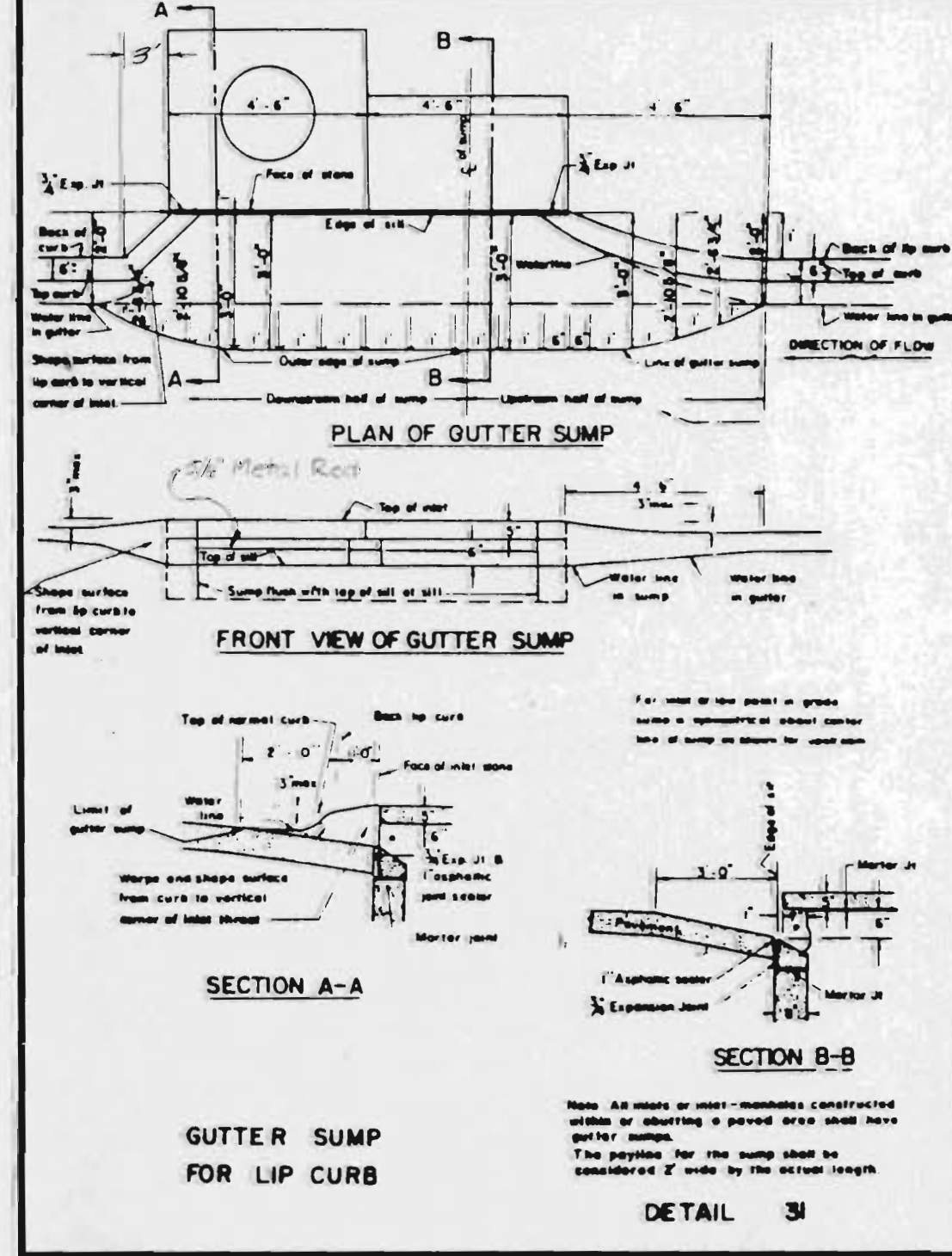
DETAIL 28 PRE-CAST CONCRETE UNIT FOR DOUBLE CURB INLET (WITH BRICK BASE)



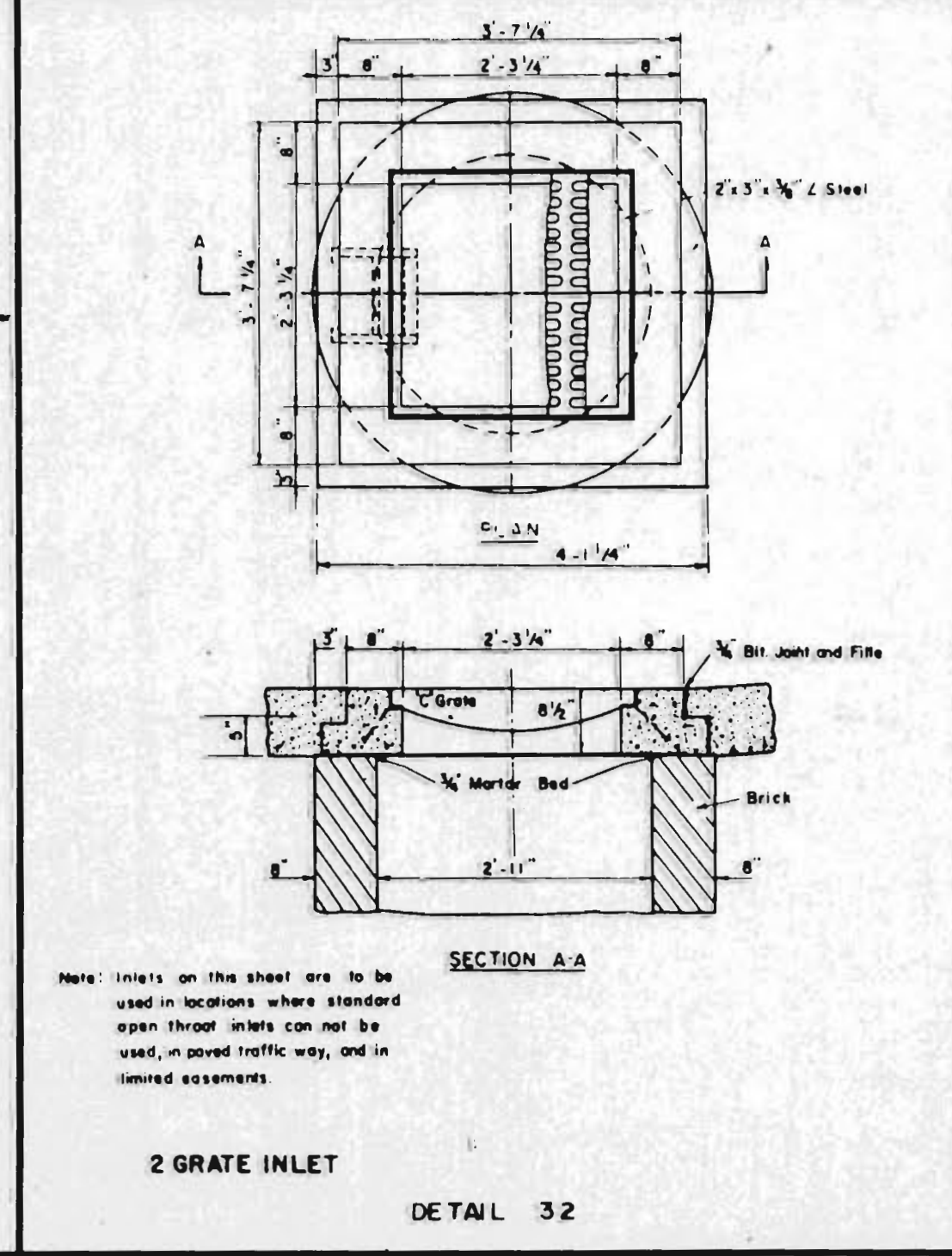
DETAIL 29 DOUBLE AREA INLET OPEN 4 SIDES



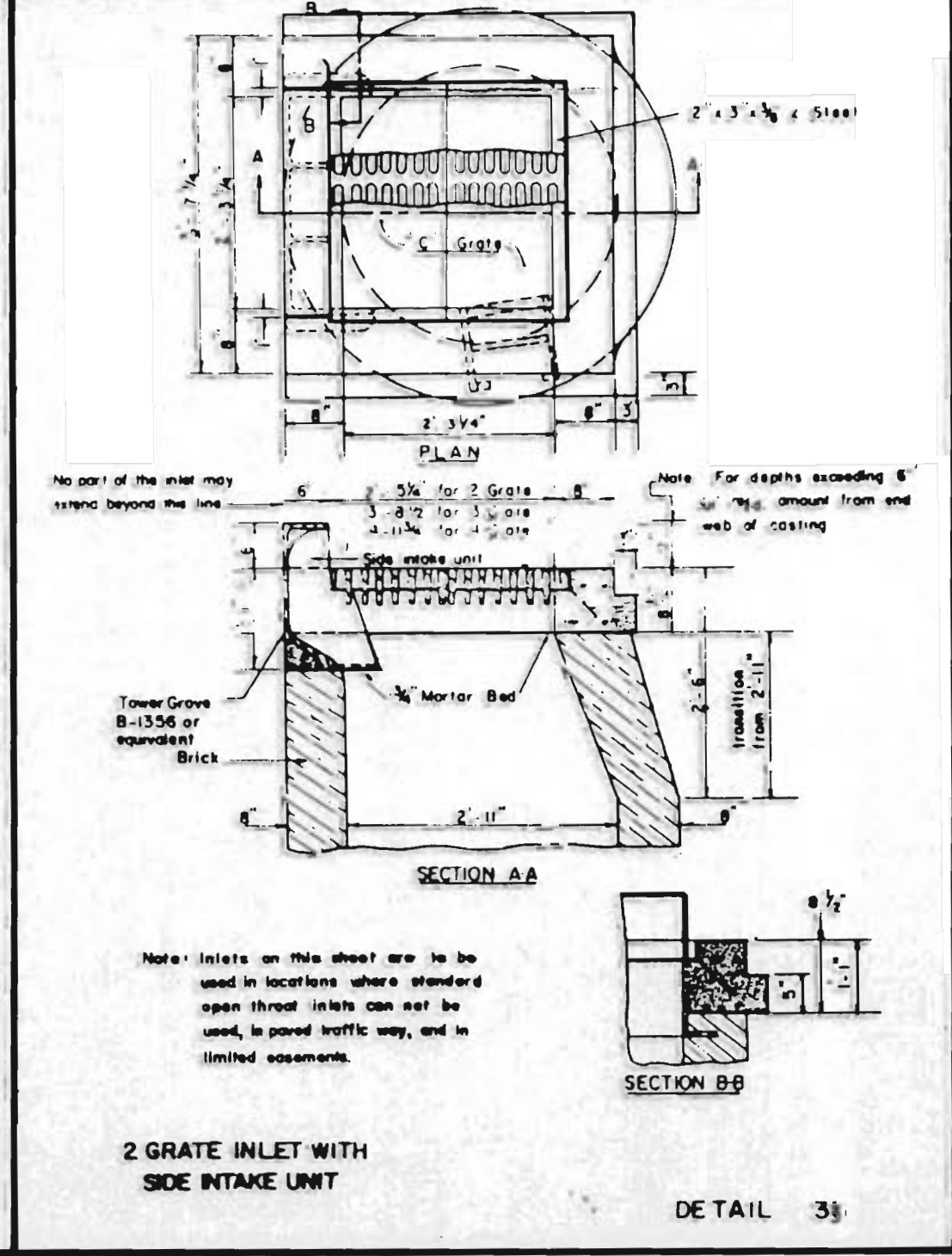
DETAIL 30 GUTTER SUMPS FOR VERTICAL CURB



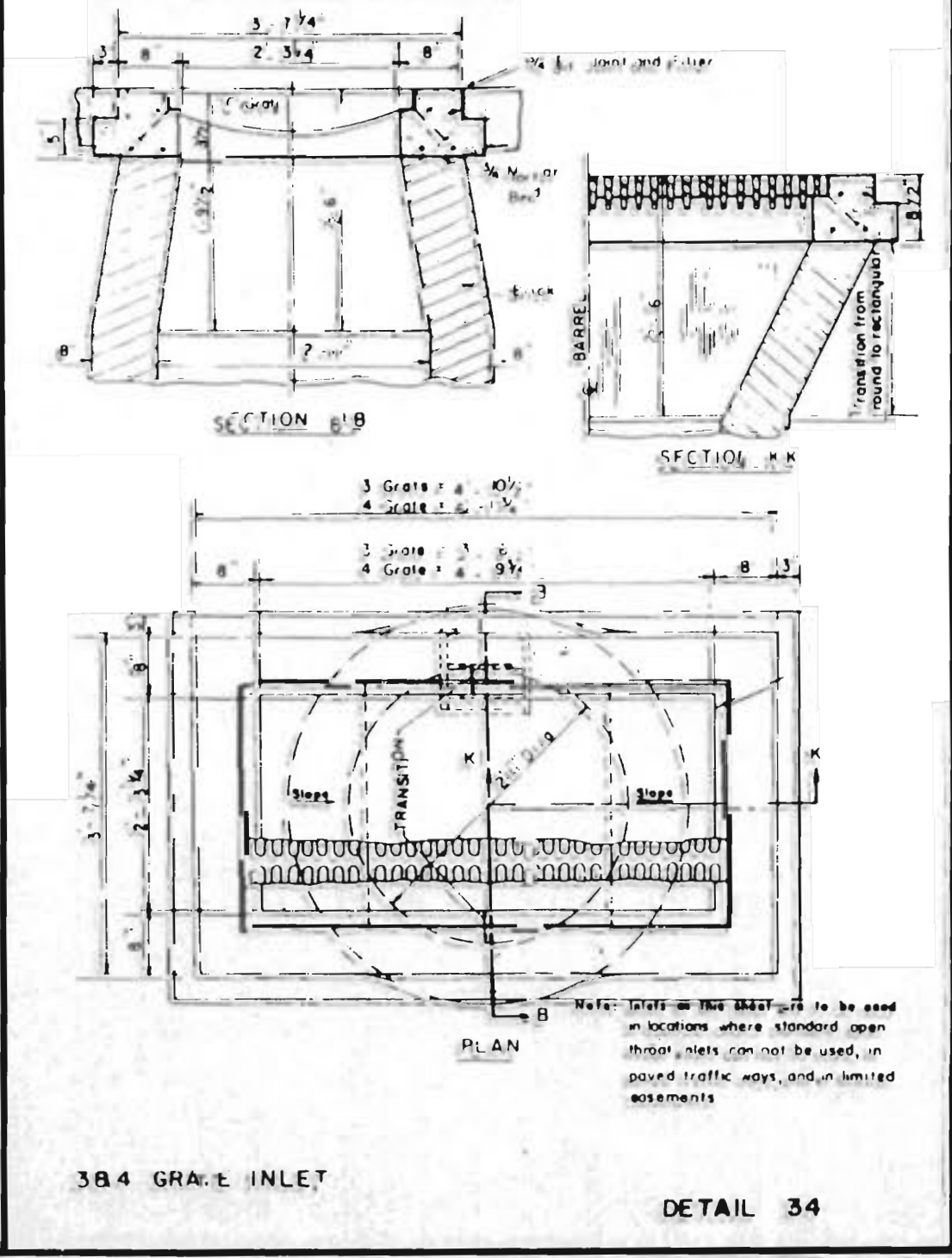
DETAIL 31 GUTTER SUMP FOR LIP CURB



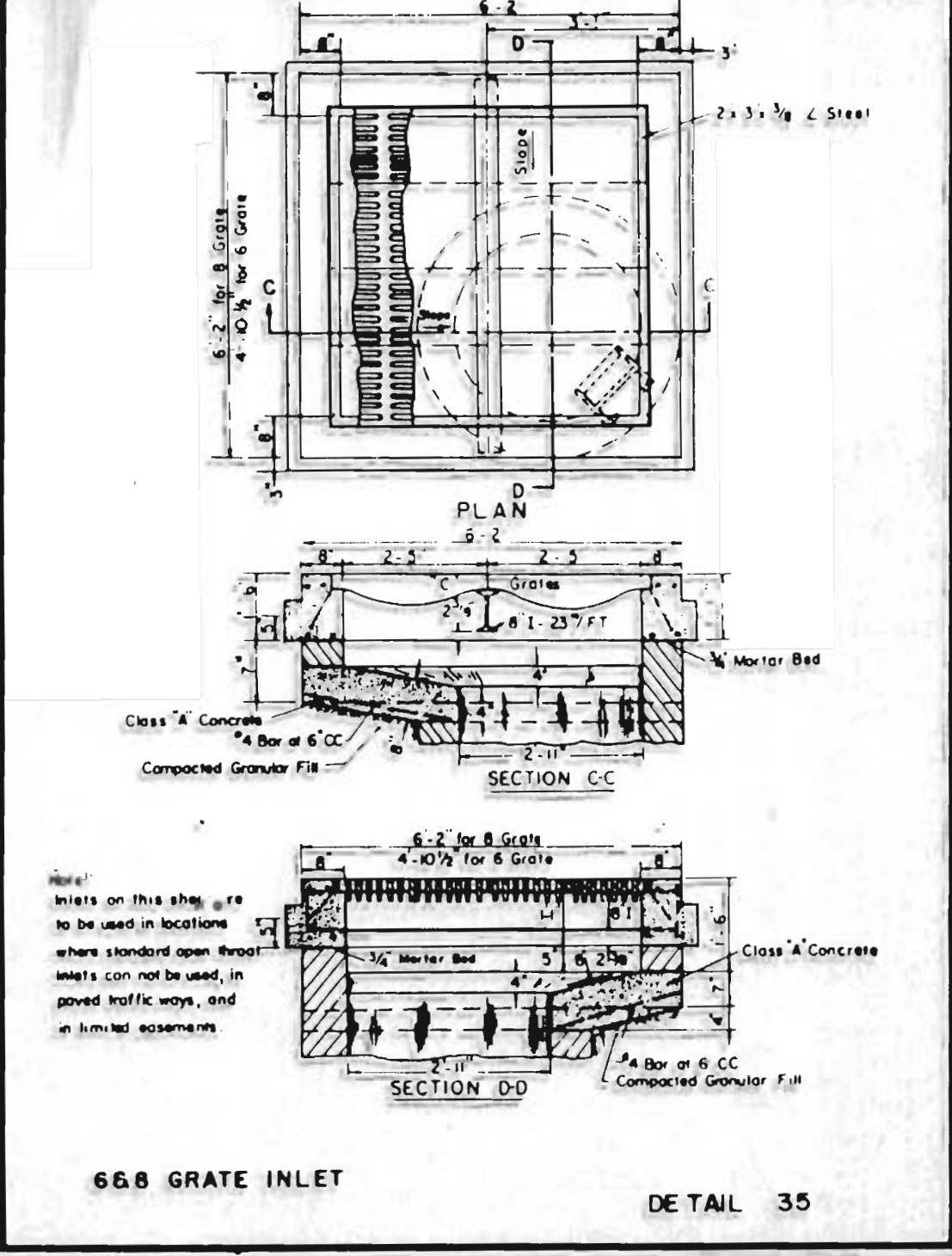
DETAIL 32 2 GRATE INLET



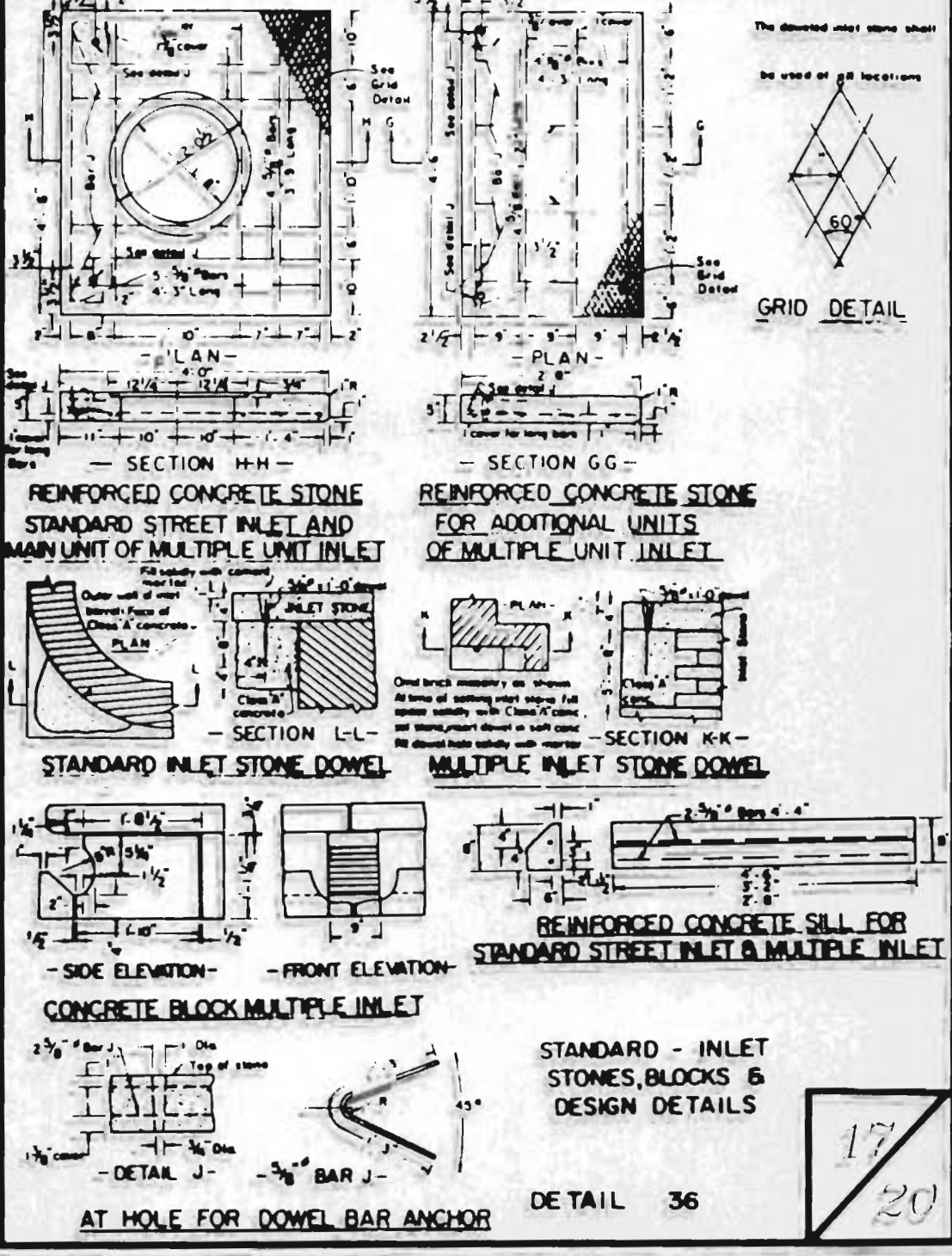
DETAIL 33 2 GRATE INLET WITH SIDE INTAKE UNIT



DETAIL 34 38.4 GRADE INLET



DETAIL 35 66.8 GRADE INLET



DETAIL 36 STANDARD INLET STONES, BLOCKS & DESIGN DETAILS