



**CIVIL ENGINEERING
DESIGN CONSULTANTS, INC.**
11402 GRAVENS ROAD SUITE 100
SAINT LOUIS MISSOURI 63126
314.729.1400 FAX 314.729.1404
INFO@CDCDC.NET WWW.CDCDC.NET

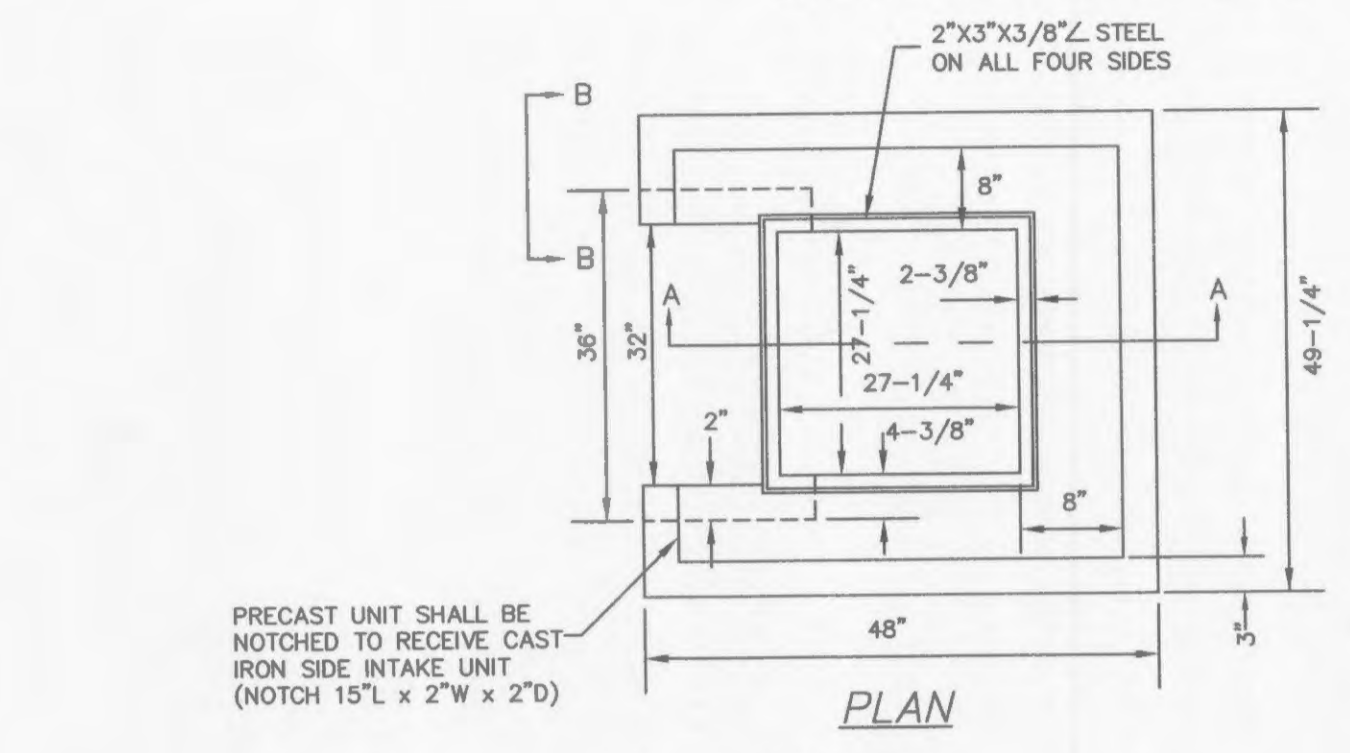
Improvement Plans
Hillmann Farm Plaza
1260 Bryan Road
O'Fallon, Missouri 63366

Proj. #	0266
No. Description	Date
Owner Review	12.01.04
Per Engineer	12.07.04
Permit / Bidding	01.10.05
Per City	03.17.05
Per City	04.11.05
Per Contractor	09.07.05

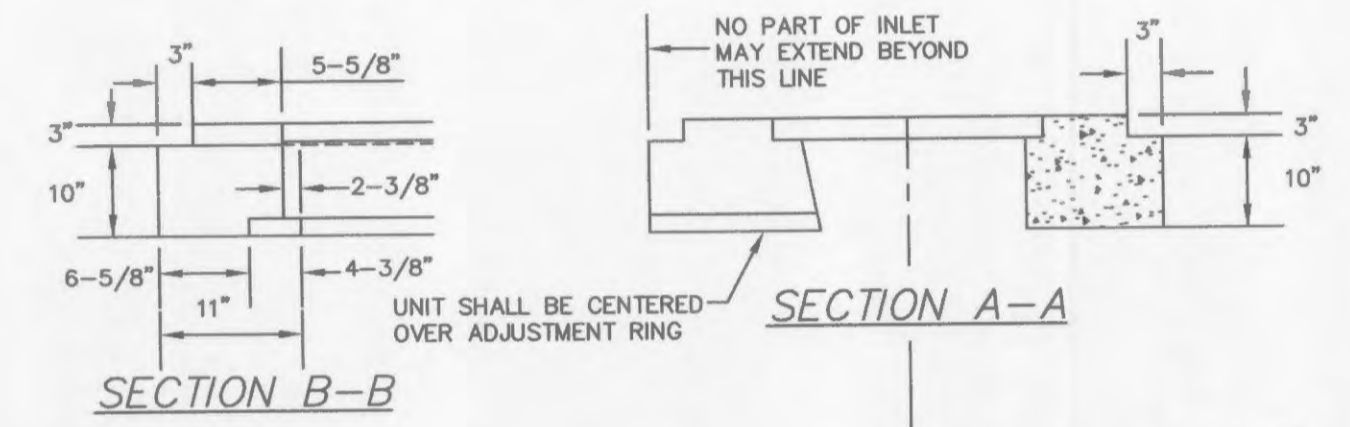
**SEWER
DETAILS**

C7

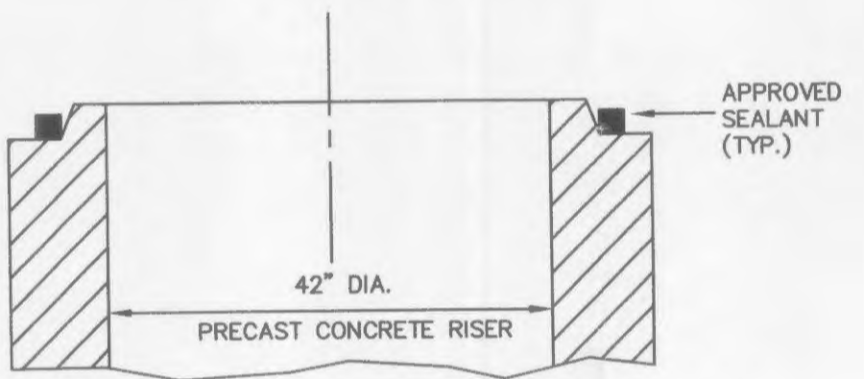
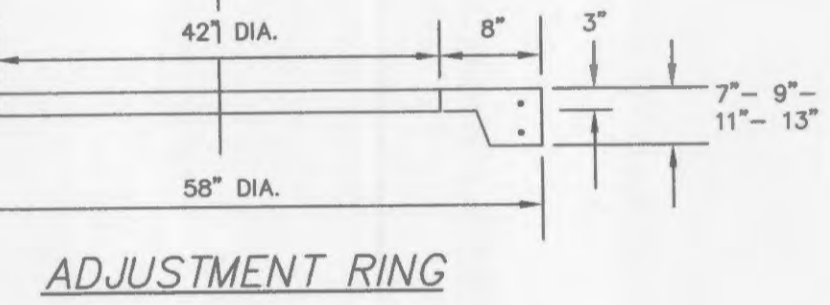
NOTE: TOP OF STRUCTURE ELEVATION INDICATED ON PLAN AND PROFILE IS GRATE ELEVATION



PRECAST UNIT SHALL BE NOTCHED TO RECEIVE CAST IRON SIDE INTAKE UNIT (NOTCH 15"L x 2"W x 2"D)

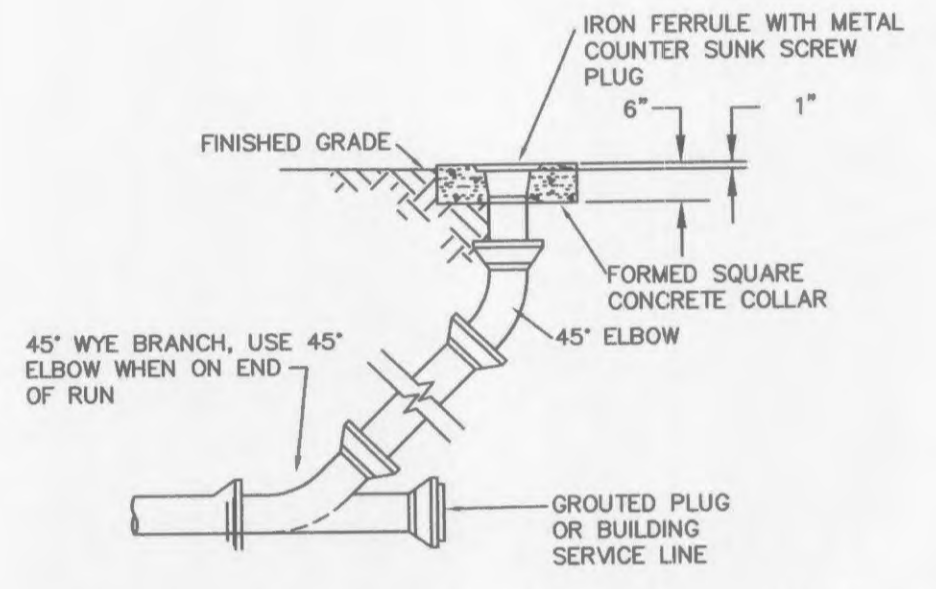


SECTION B-B

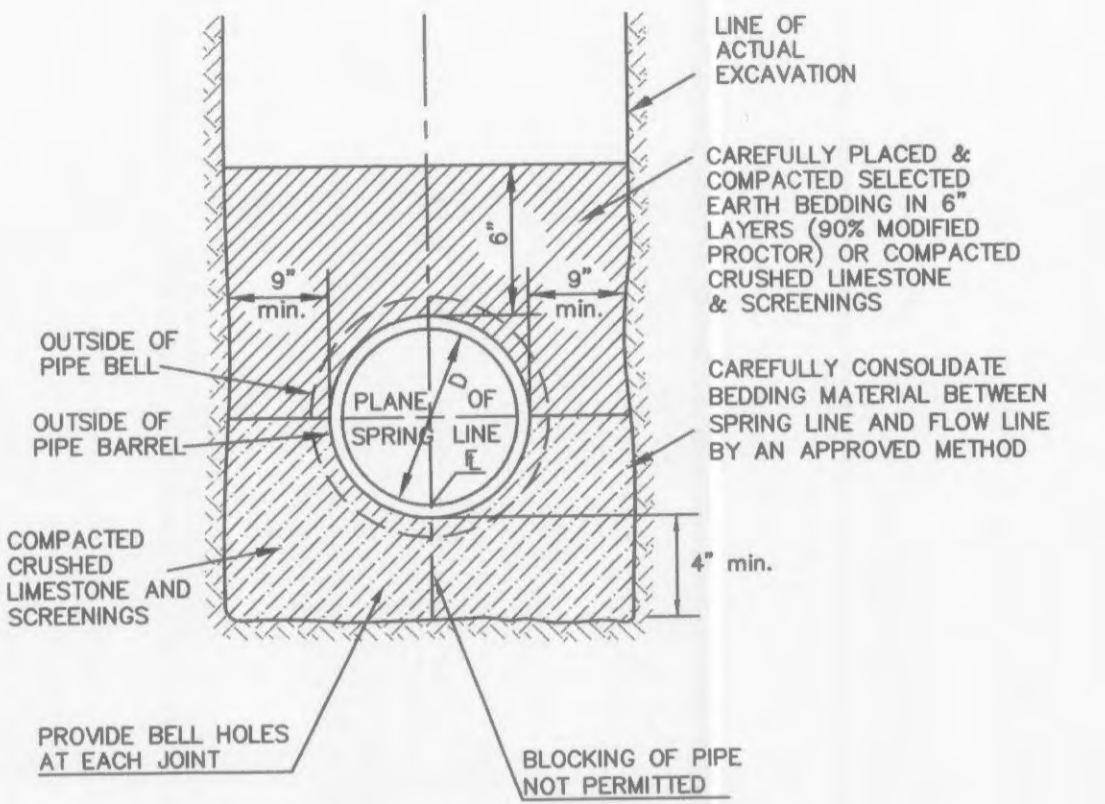


**GRATE SEAT FOR 2-GRATE
INLET WITH SIDE INTAKE**

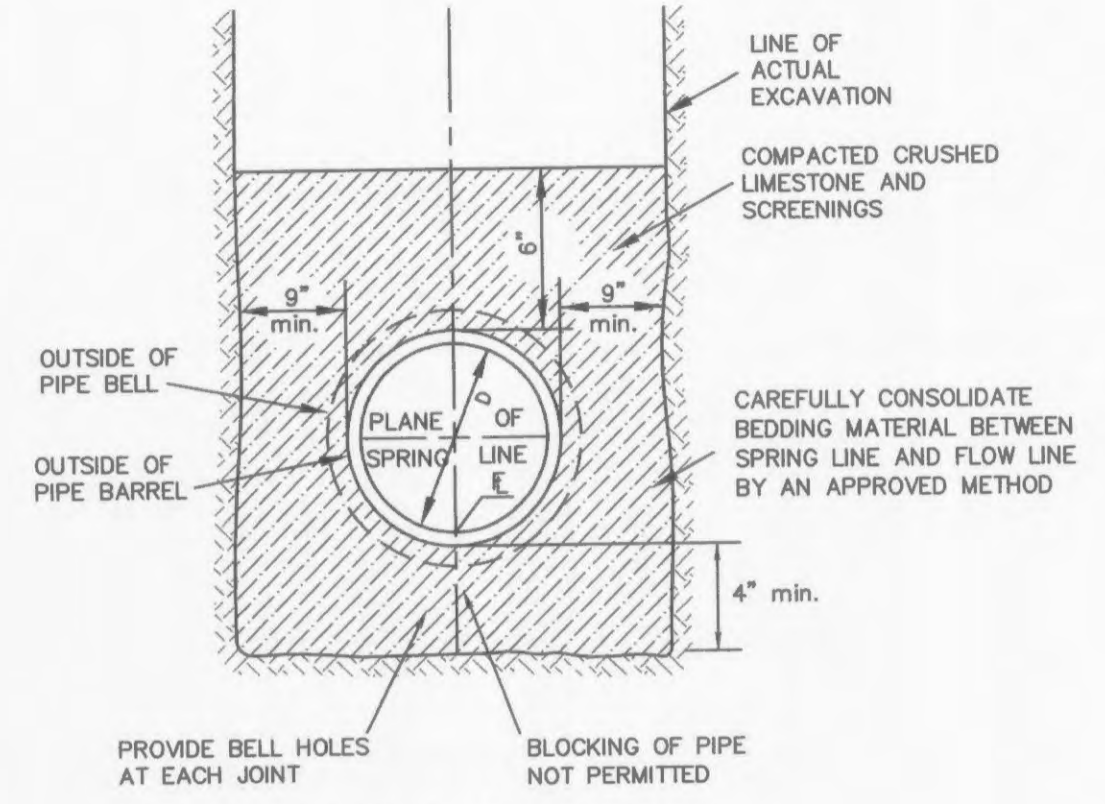
NOTE: CONTRACTOR SHALL STAKEOUT CURB-LINE WHEN LOCATING INLET FOR PROPER INLET PLACEMENT/ORIENTATION IN FIELD.



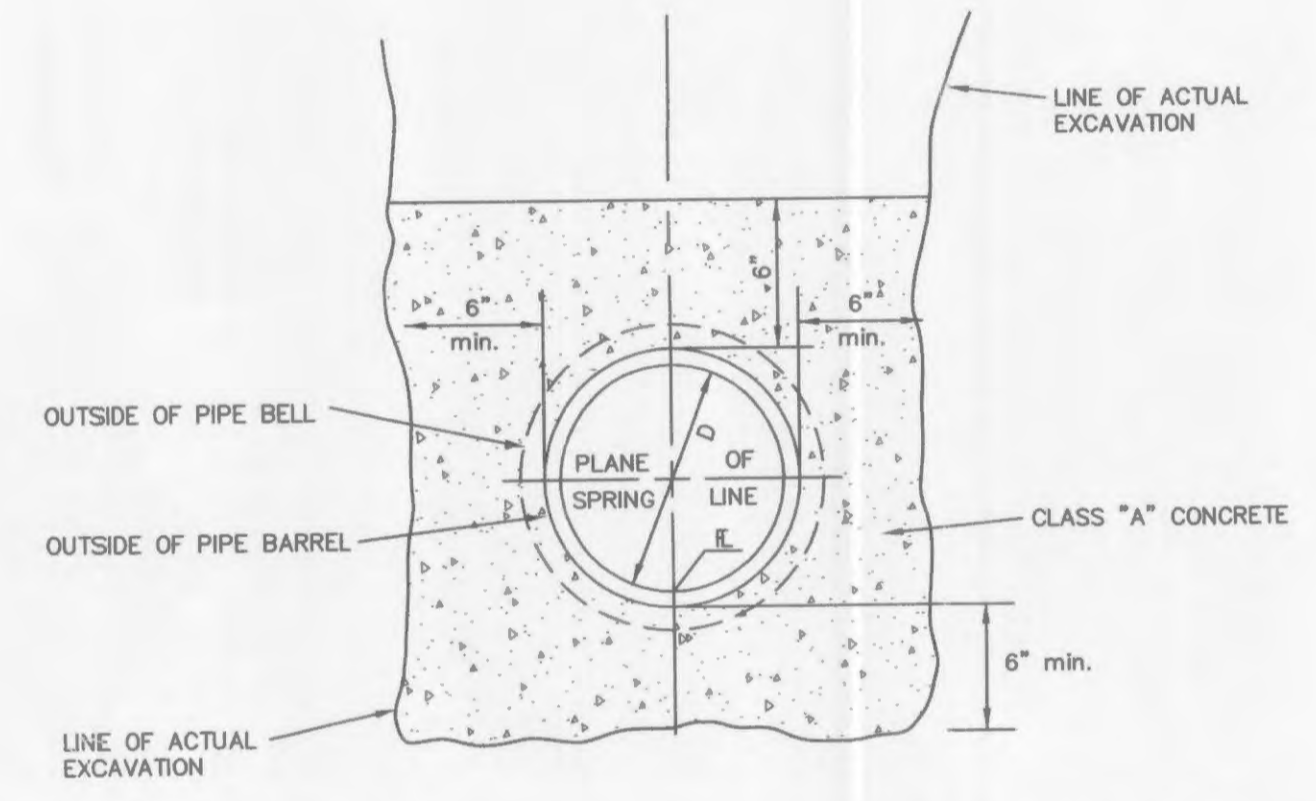
DETAIL OF SEWER CLEANOUT
NOT TO SCALE



PIPE BEDDING CLASS "C"
(MODIFIED FOR REINFORCED CONCRETE PIPE)

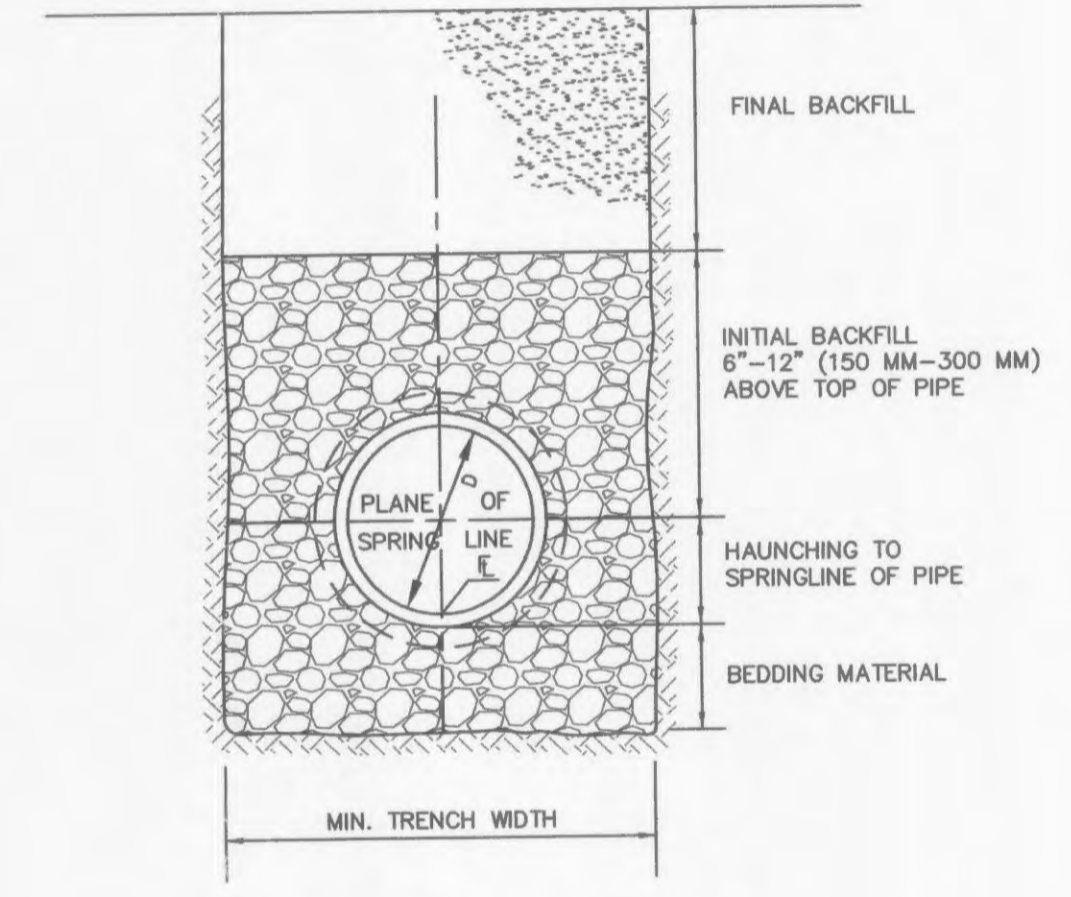


PIPE BEDDING CLASS "C"
(FOR ALL PIPE EXCEPT REINFORCED CONCRETE PIPE)



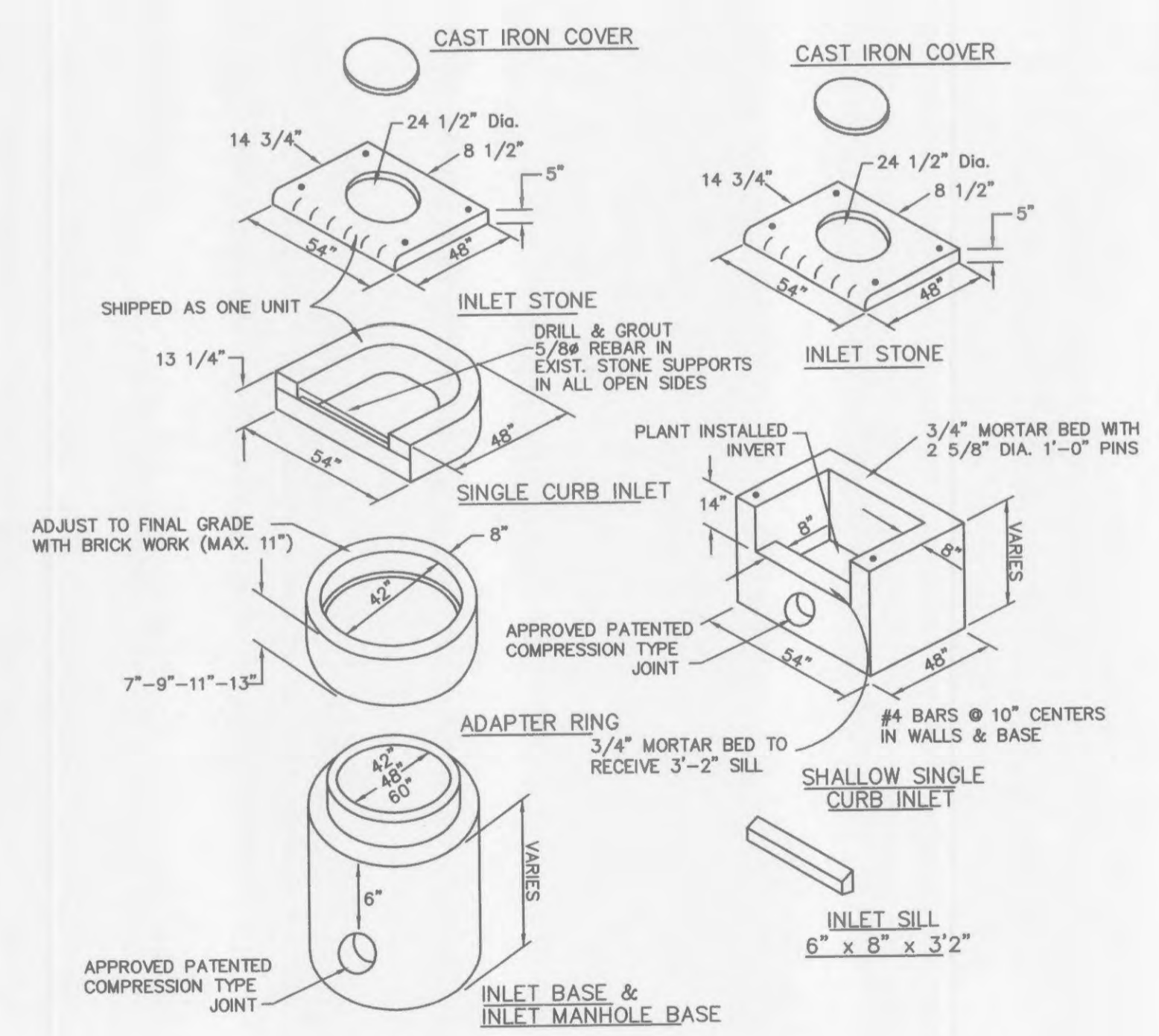
PIPE CONCRETE ENCASEMENT

NOTE: SUPPORT PIPE TO PREVENT DISPLACEMENT DURING PLACEMENT OF CONCRETE.

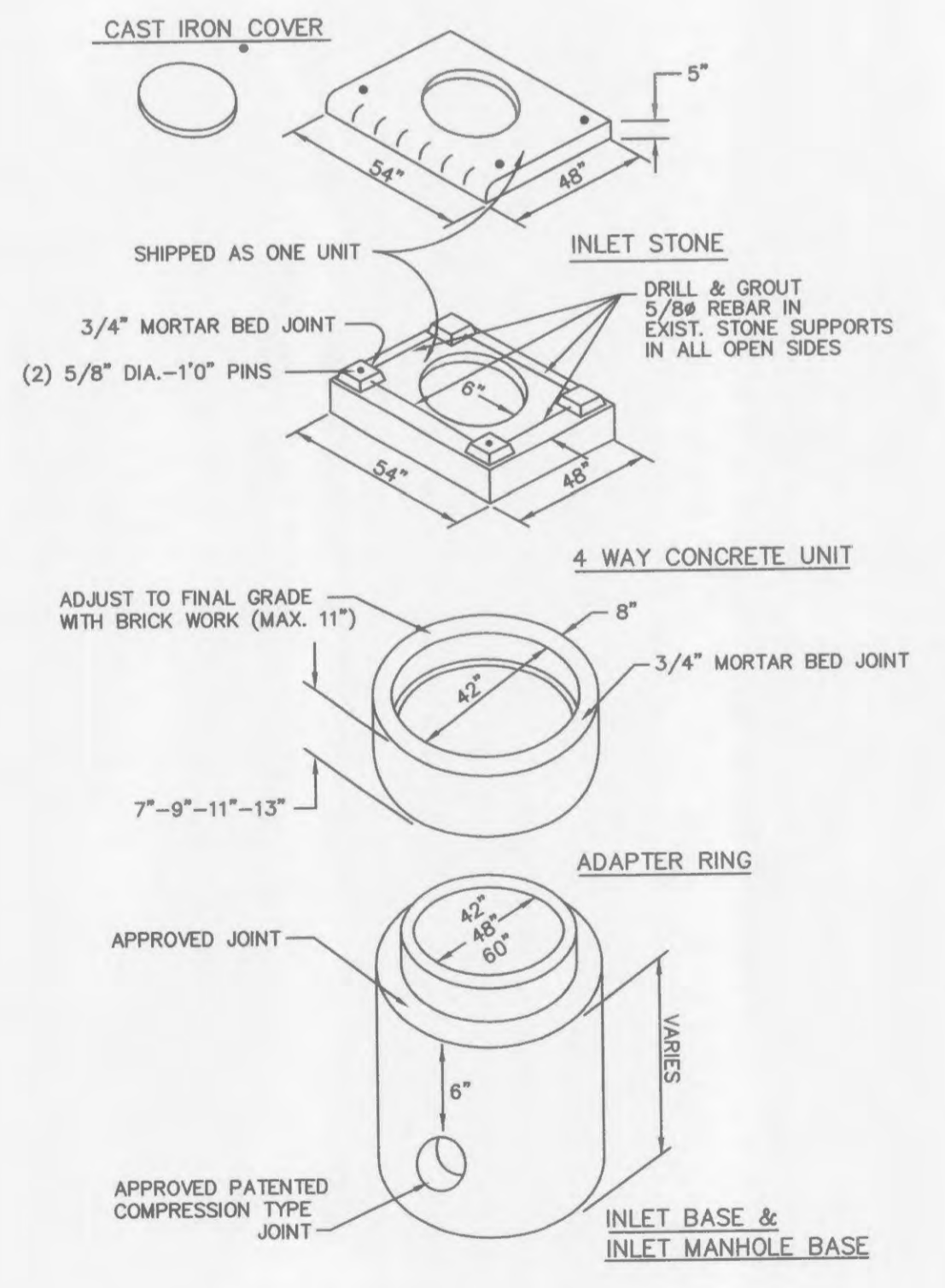


**H.D.P.E. SEWER PIPE
TYPICAL TRENCH CROSS-SECTION**

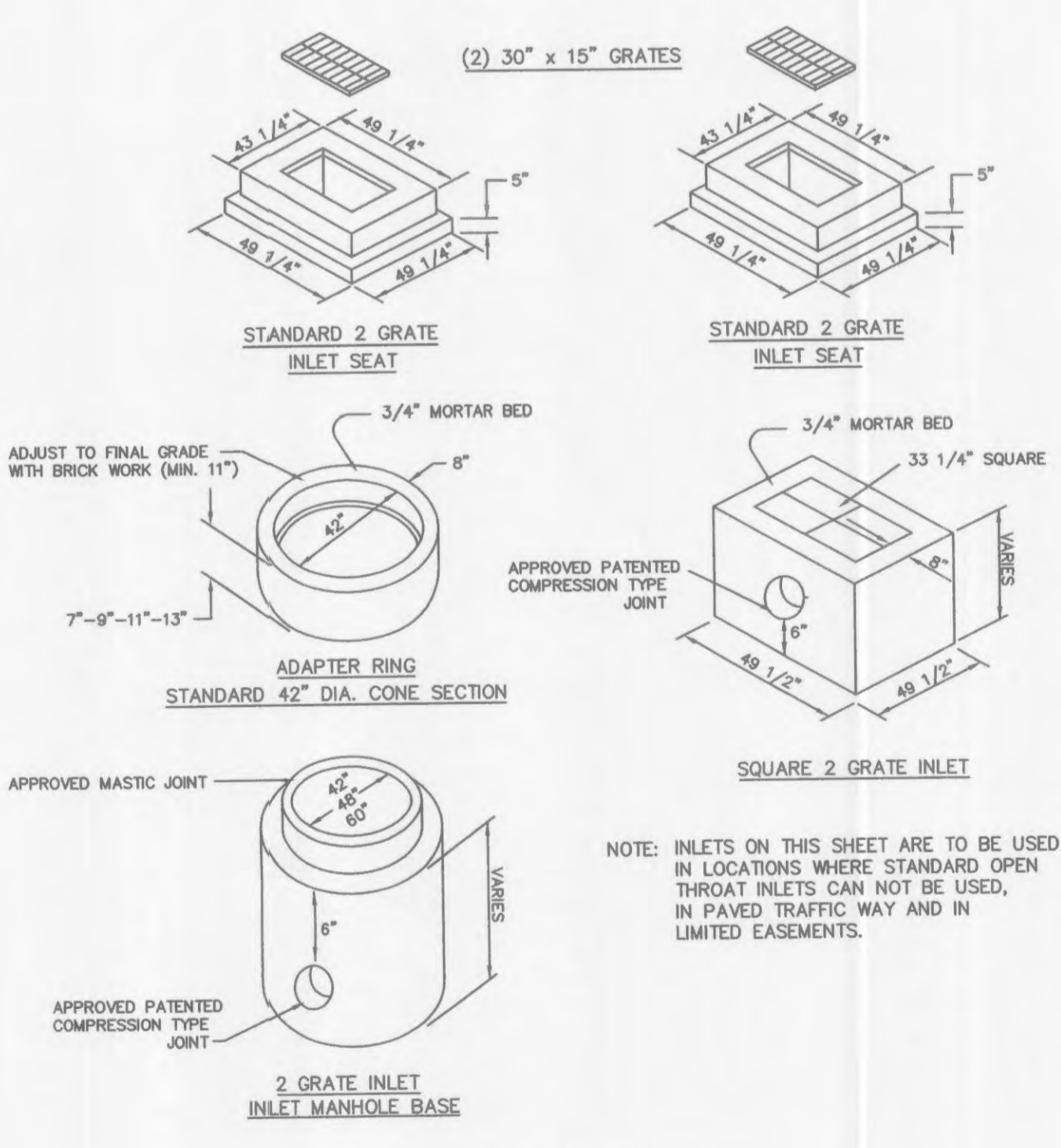
PIPE BEDDING DETAILS



SINGLE STREET INLETS

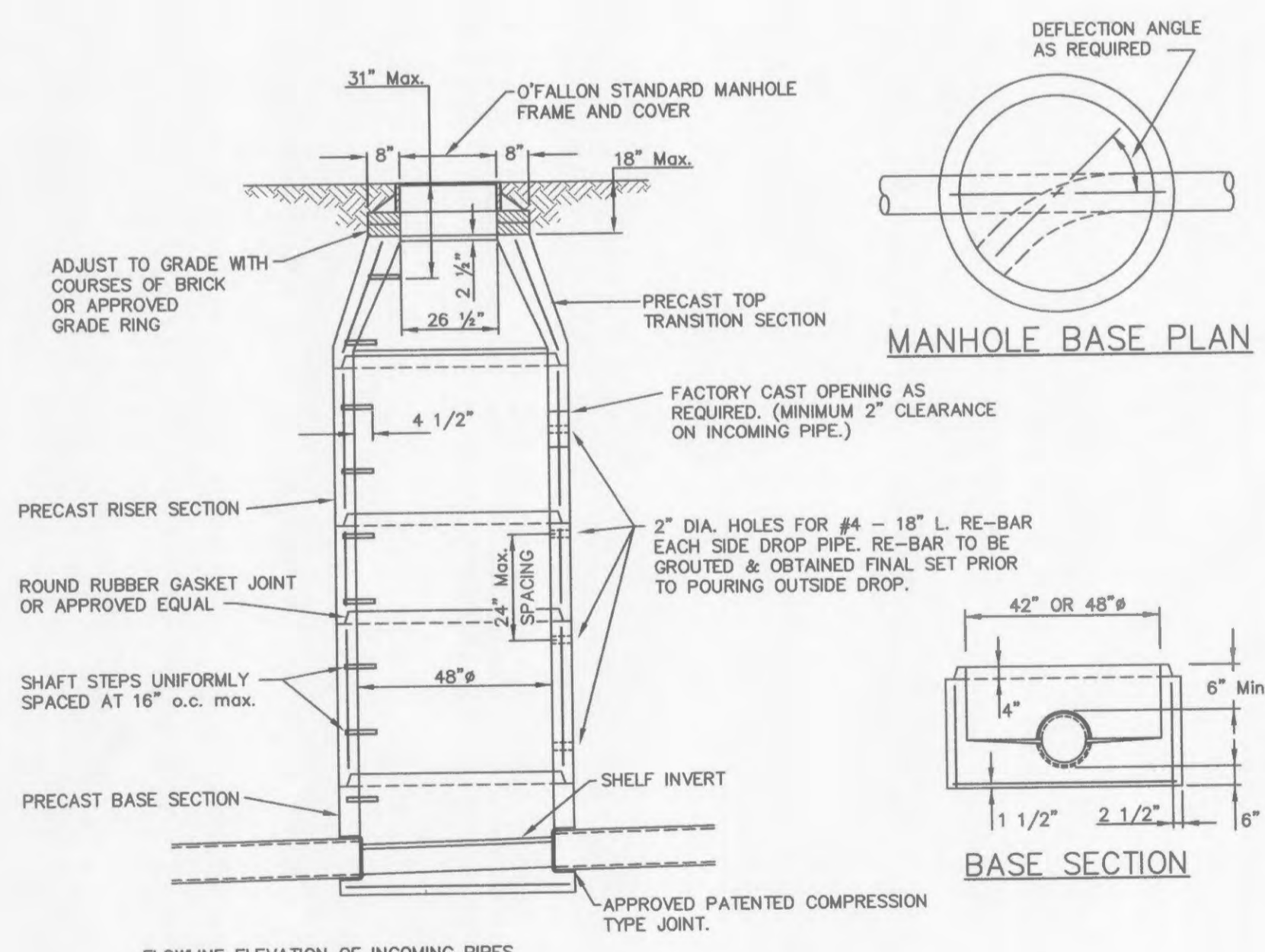


PRECAST AREA INLET



2 GRATE INLET

NOTE: INLETS ON THIS SHEET ARE TO BE USED IN LOCATIONS WHERE STANDARD OPEN THROAT INLETS CAN NOT BE USED, IN PAVED TRAFFIC WAY AND IN LIMITED EASEMENTS.



PRECAST MANHOLE

FLOWLINE ELEVATION OF INCOMING PIPES SHALL BE ONE (1) INCH HIGHER THAN THAT OF OUTGOING PIPE.

SEE A.S.T.M. C-478 FOR MIN. STEEL REQUIREMENTS.