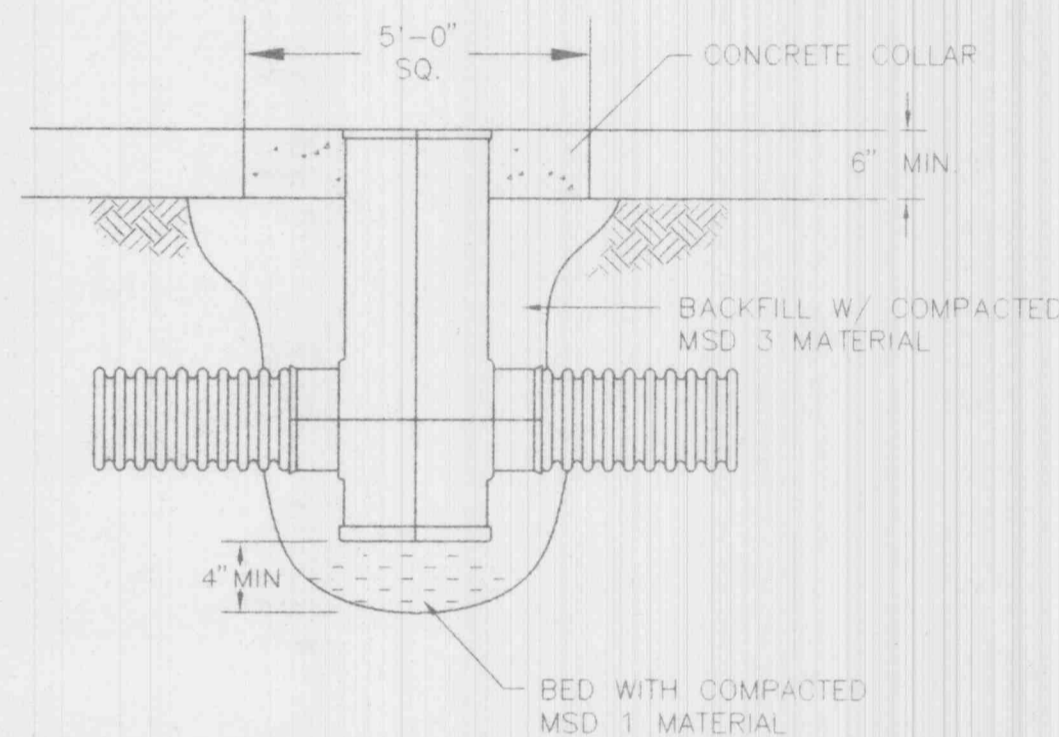
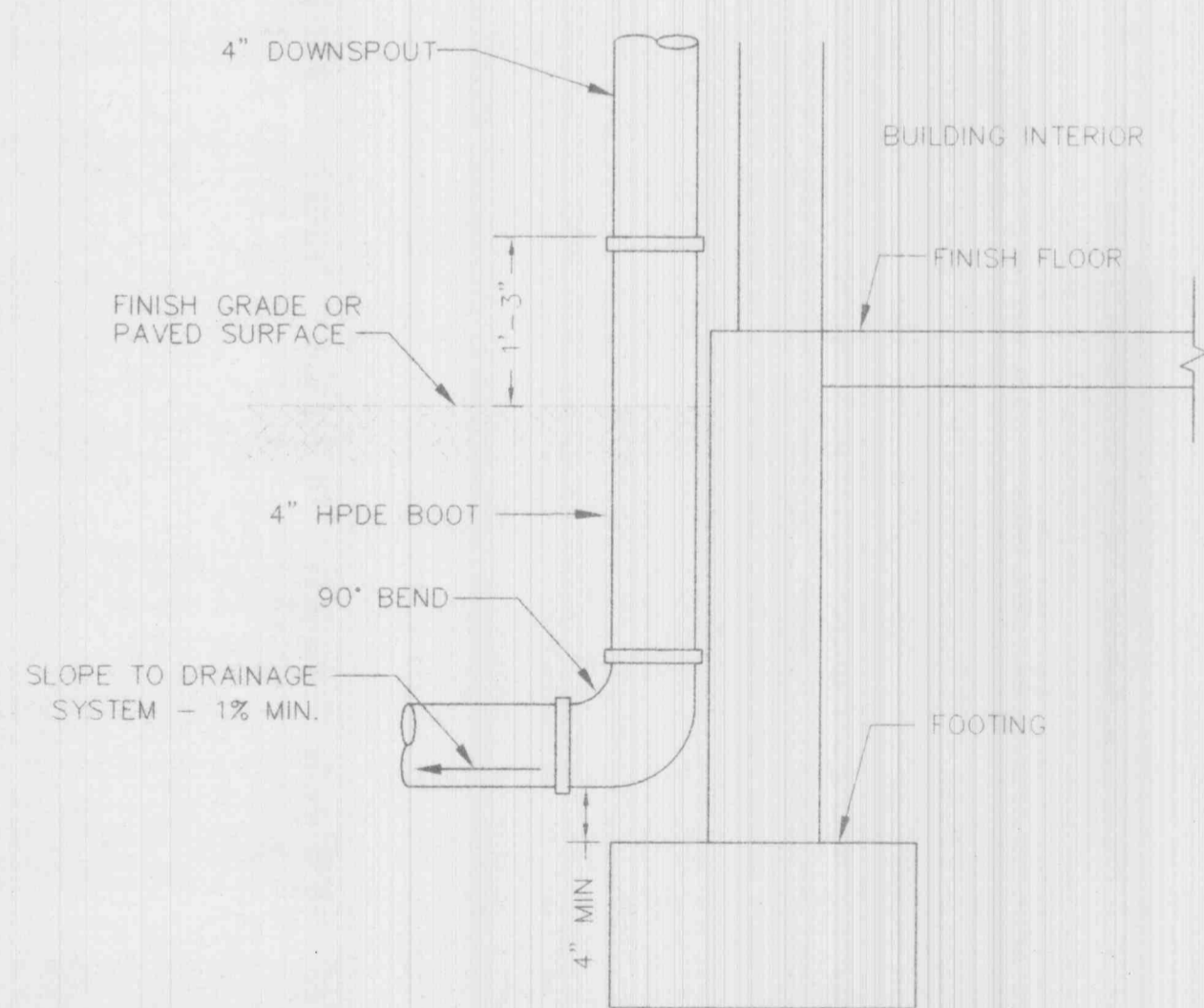


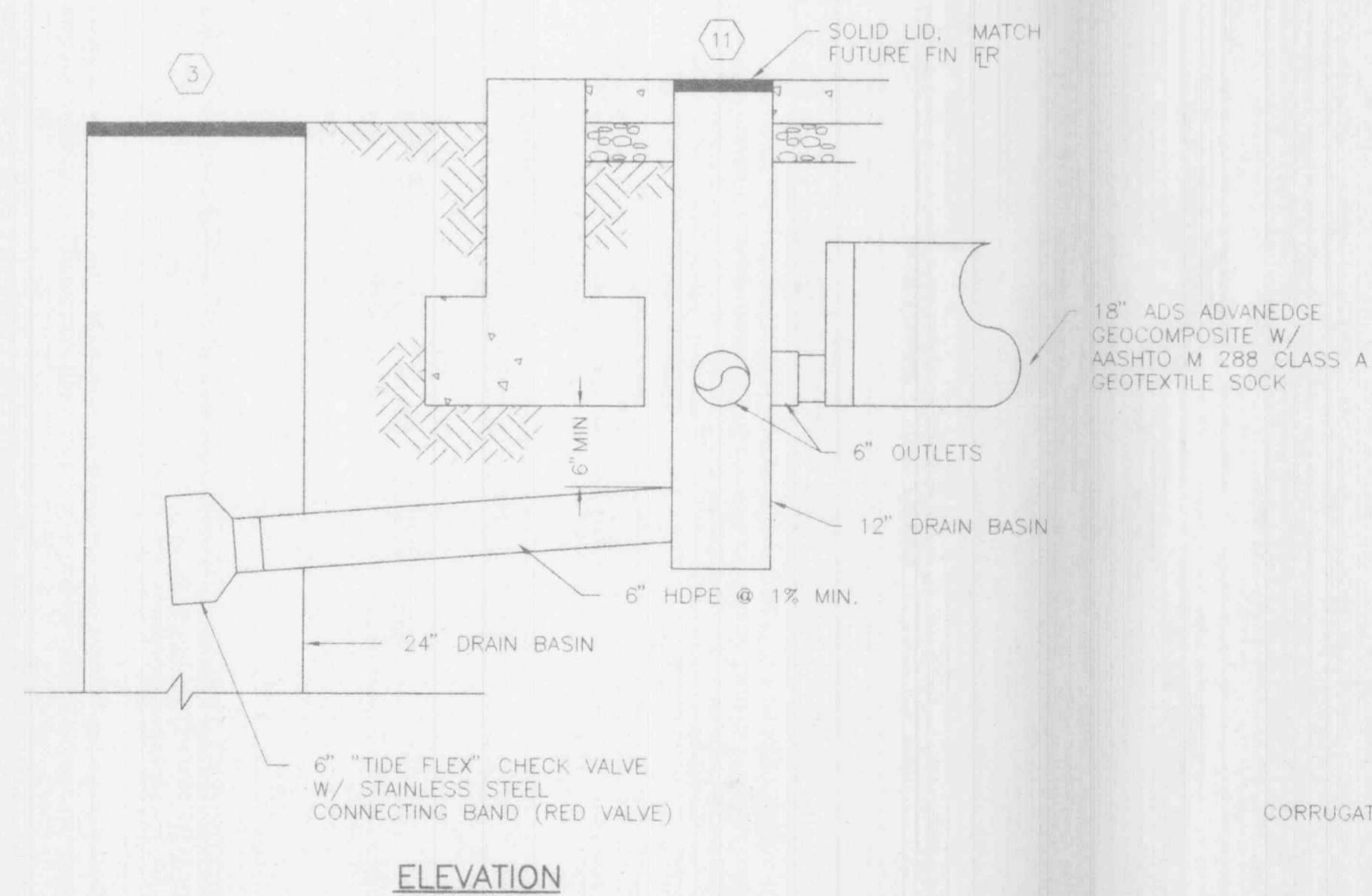
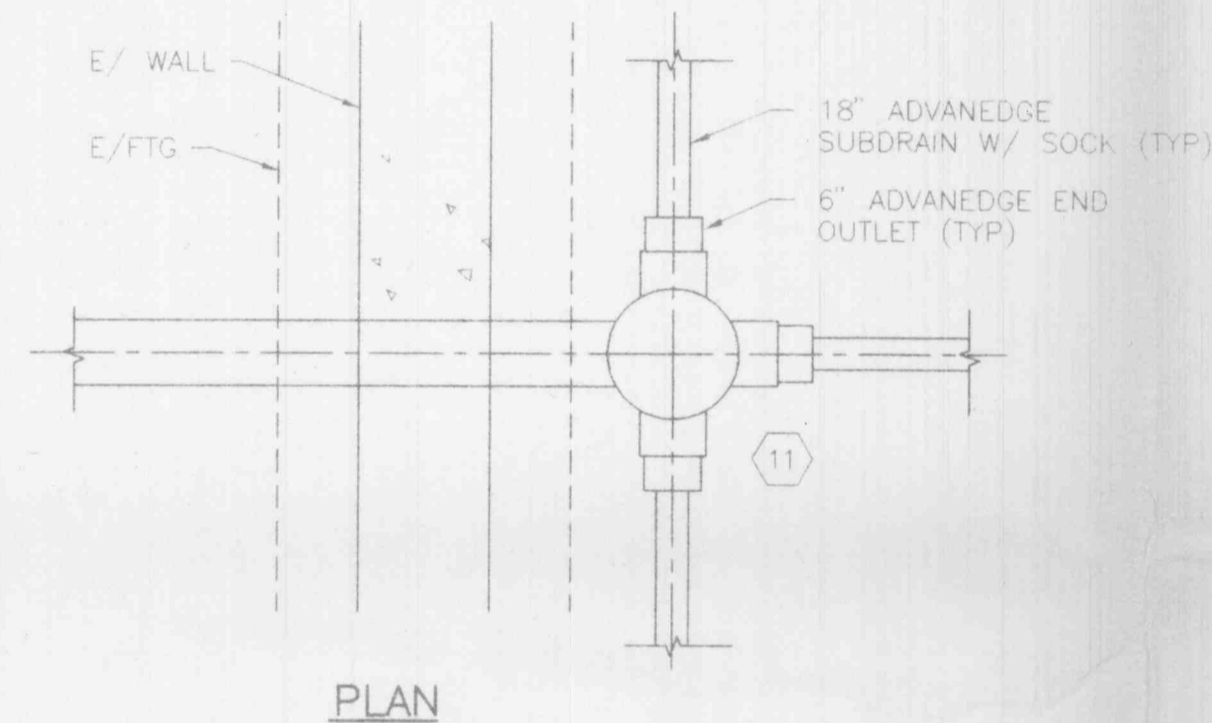
A TERMINAL CLEANOUT DETAIL
3 NOT TO SCALE



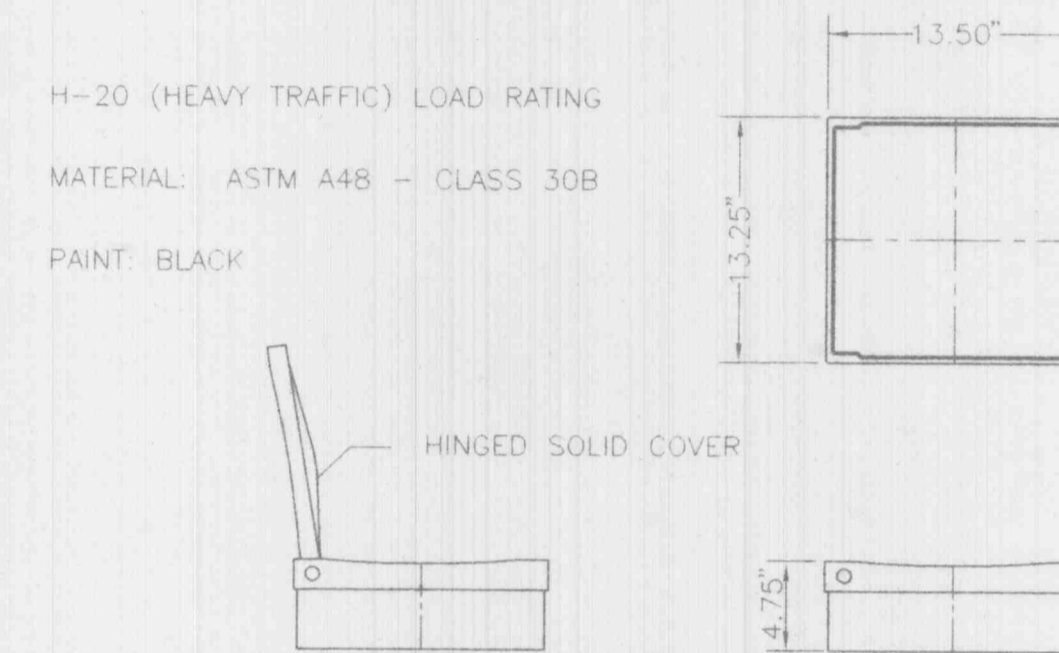
B DRAIN BASIN INSTALLATION DETAIL
3 NOT TO SCALE



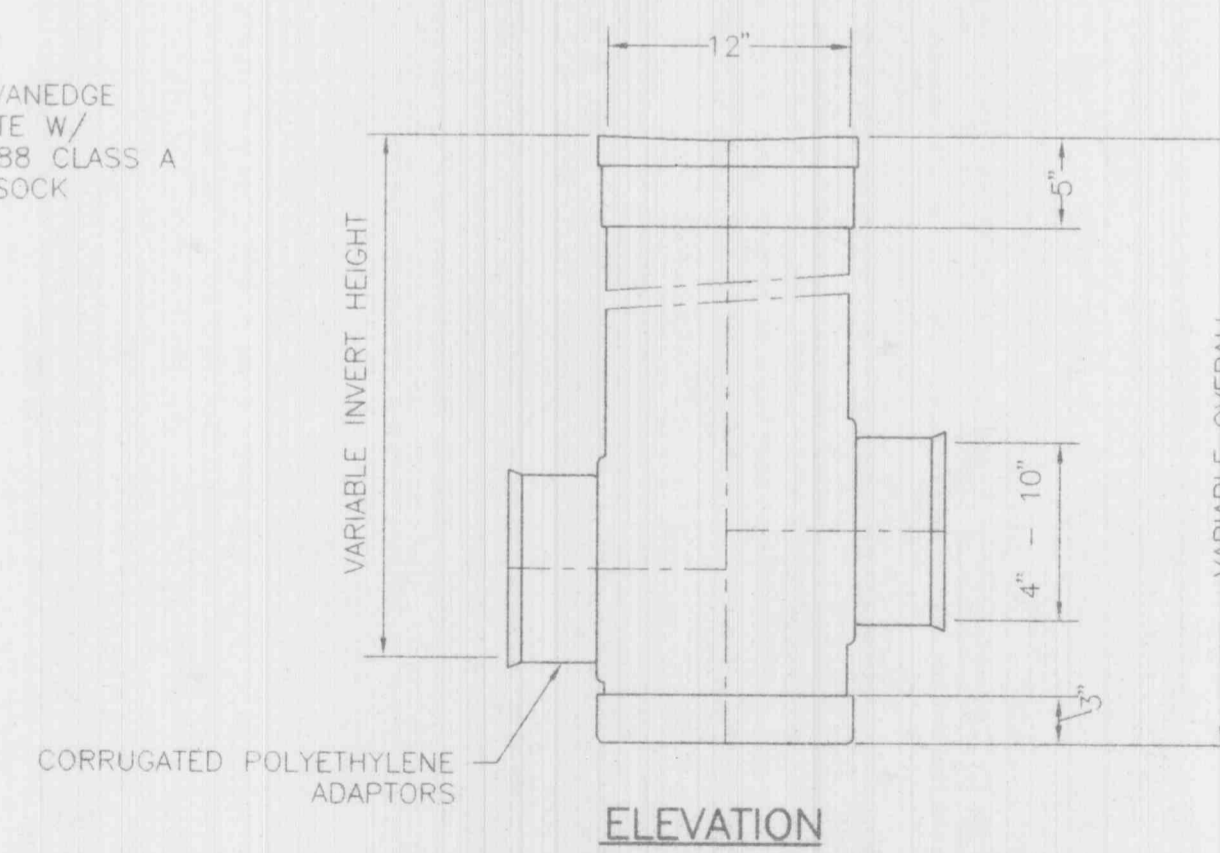
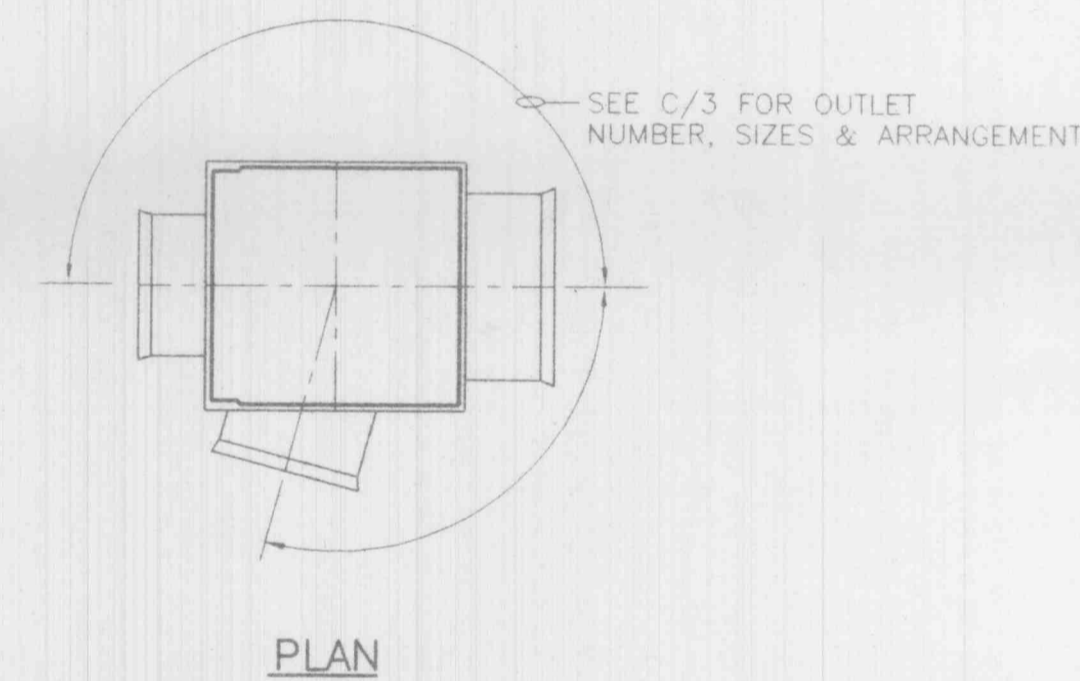
C DOWNSPOUT BOOT DETAIL
3 NOT TO SCALE



D SUBDRAIN OUTLET DETAIL
3 NOT TO SCALE

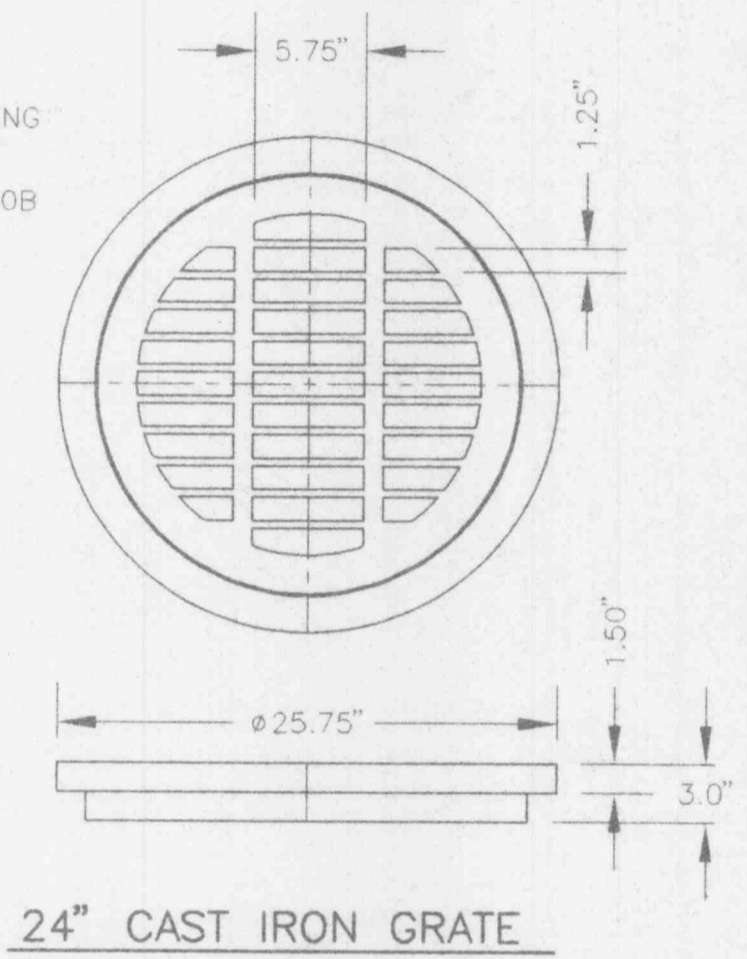


12" CAST IRON LID

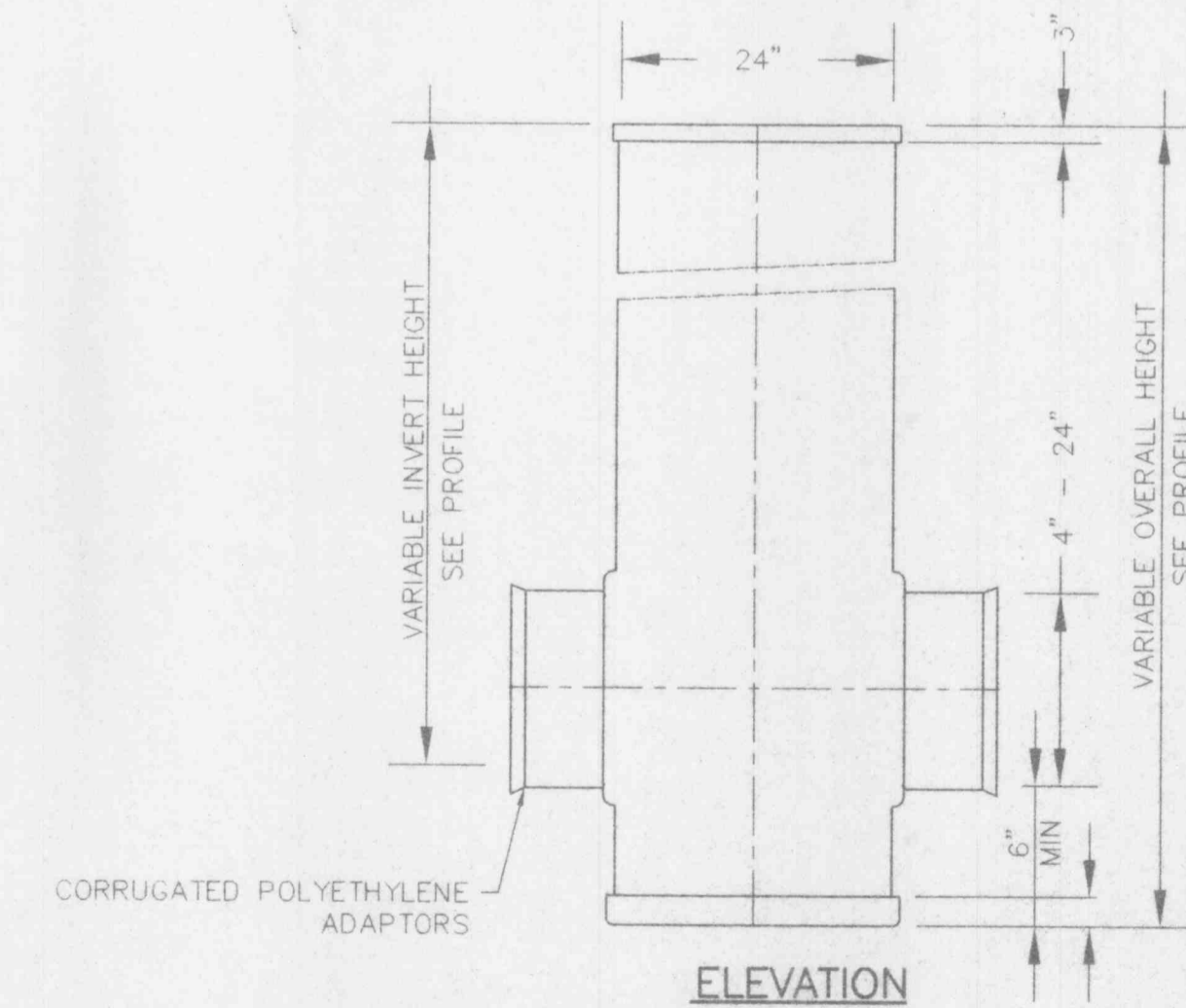
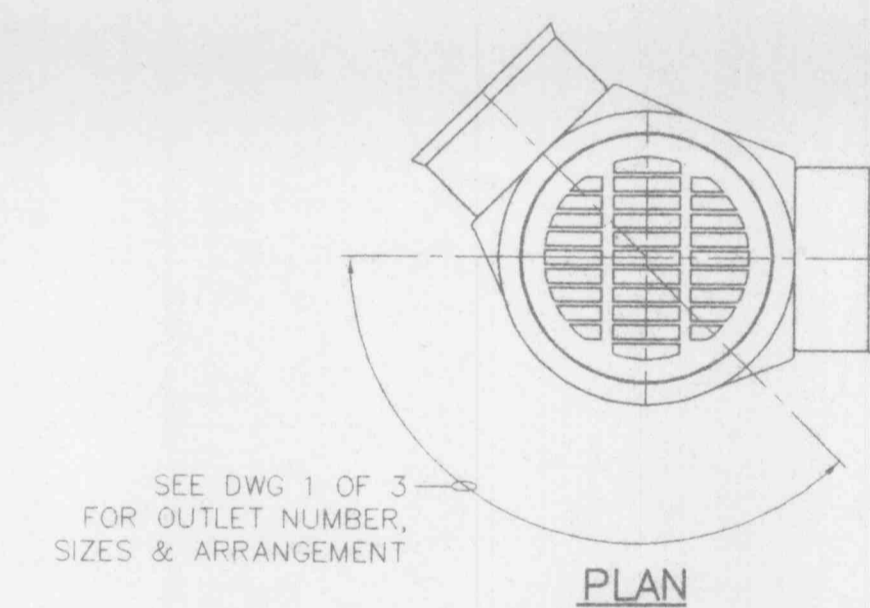


E 18" DRAIN BASIN
3 NOT TO SCALE

DRAIN AREA = 161.4 SQ. INCH
H-20 (HEAVY TRAFFIC) LOAD RATING
MATERIAL: ASTM A48 - CLASS 30B
PAINT: BLACK



24" CAST IRON GRATE



F 24" DRAIN BASIN
3 NOT TO SCALE

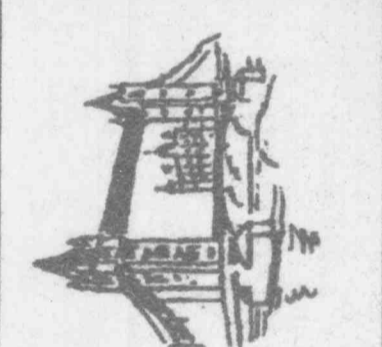
NOTES

- A. THE PROFESSIONAL WHOSE SIGNATURE AND PERSONAL SEAL APPEARS HEREON ASSUMES RESPONSIBILITY ONLY FOR WHAT APPEARS ON THIS DRAWING AND DISCLAIMS (PURSUANT TO SECTION 327.411 RSMO) ANY RESPONSIBILITY FOR ALL OTHER DRAWINGS, SPECIFICATIONS, ESTIMATES, REPORTS, SURVEYS OR OTHER DOCUMENTS OR INSTRUMENTS NOT SEALED BY THE UNDERSIGNED PROFESSIONAL.
- B. SEE DWG 1 FOR GENERAL NOTES.
- C. TYPICAL SECTIONS AND DETAILS ARE FOR THE PURPOSE OF INDICATING GENERAL DESIGN AND CONSTRUCTION REQUIREMENTS; ACTUAL CONSTRUCTION SHALL CONFORM TO ALL OF THE INFORMATION PROVIDED IN THE PLAN SET.
- D. DO NOT SCALE DWG; FOLLOW DIMENSIONS.
- E. USE SOLID WALL PIPE AT SUBDRAIN STRUCTURE CONNECTIONS AND TO CONSTRUCT SUBDRAIN OUTLET LATERALS.

NO.	DATE	REVISIONS	BY	APP'D
1				
2				
3				
4				
5				
6				
7				



Mundan Corporation
Engineering & Land Surveying
2536 Old Hwy. 94 So., Ste. 216
St. Charles, Missouri 63303
314 / 936-2128 1098-7



SEWERAGE & DRAINAGE DETAILS
HILLSIDE AUTO REPAIR
STORM WATER IMPROVEMENTS
ST. CHARLES COUNTY, MISSOURI

Date: 10/30/98
Designed by:
P.M.M.
Drawn by:
F.M.R.
Checked by:
P.M.M.