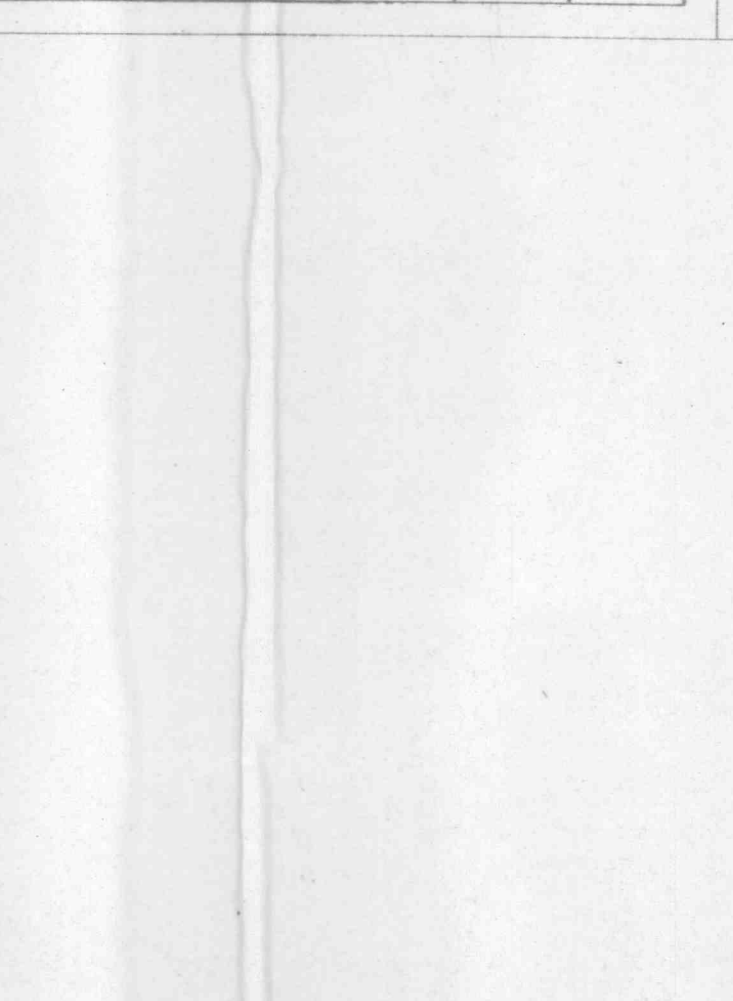
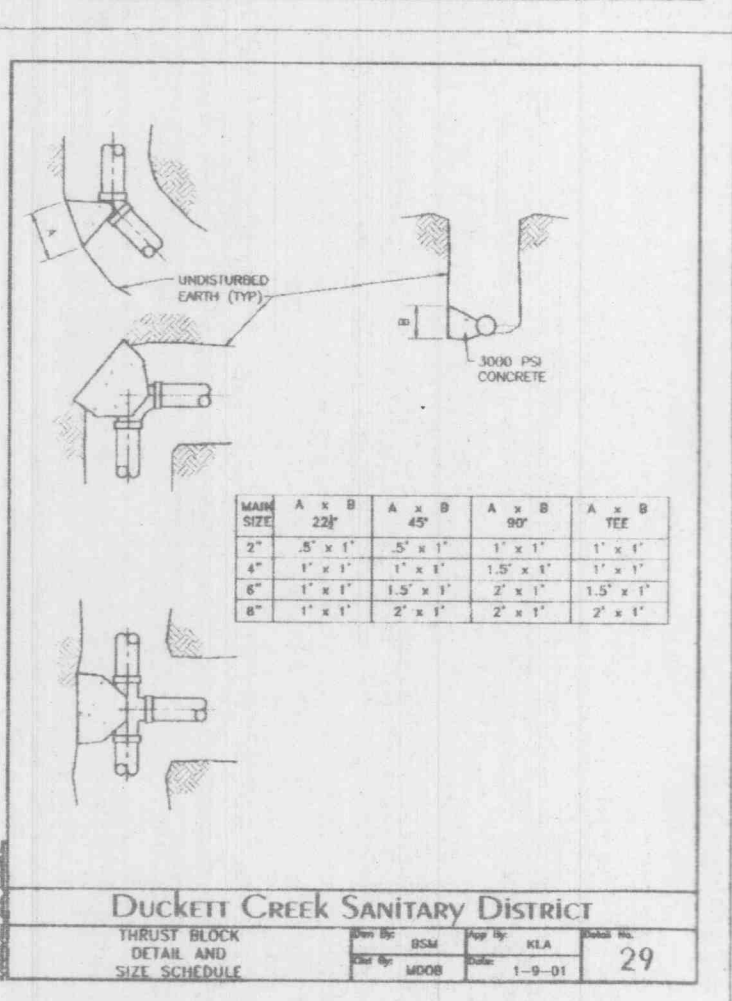
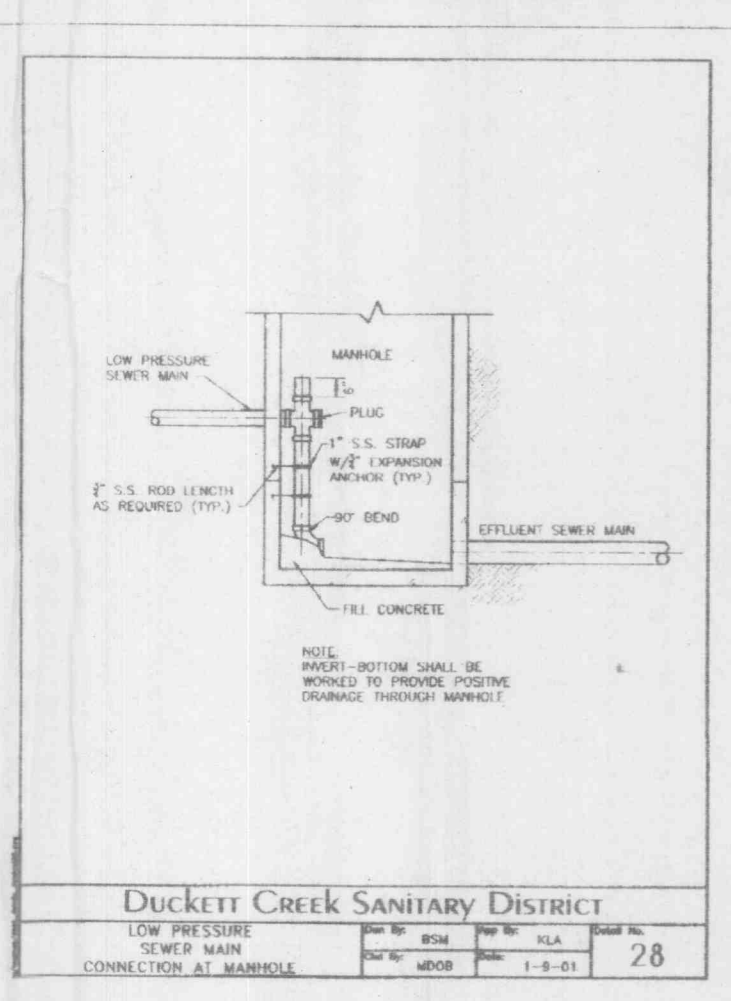
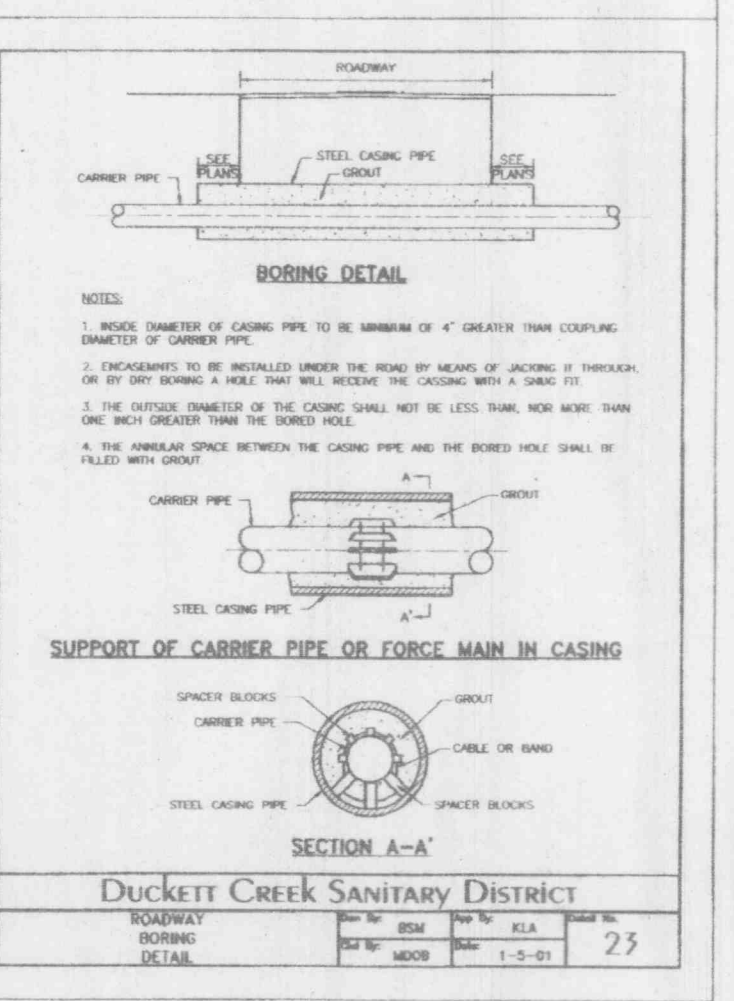
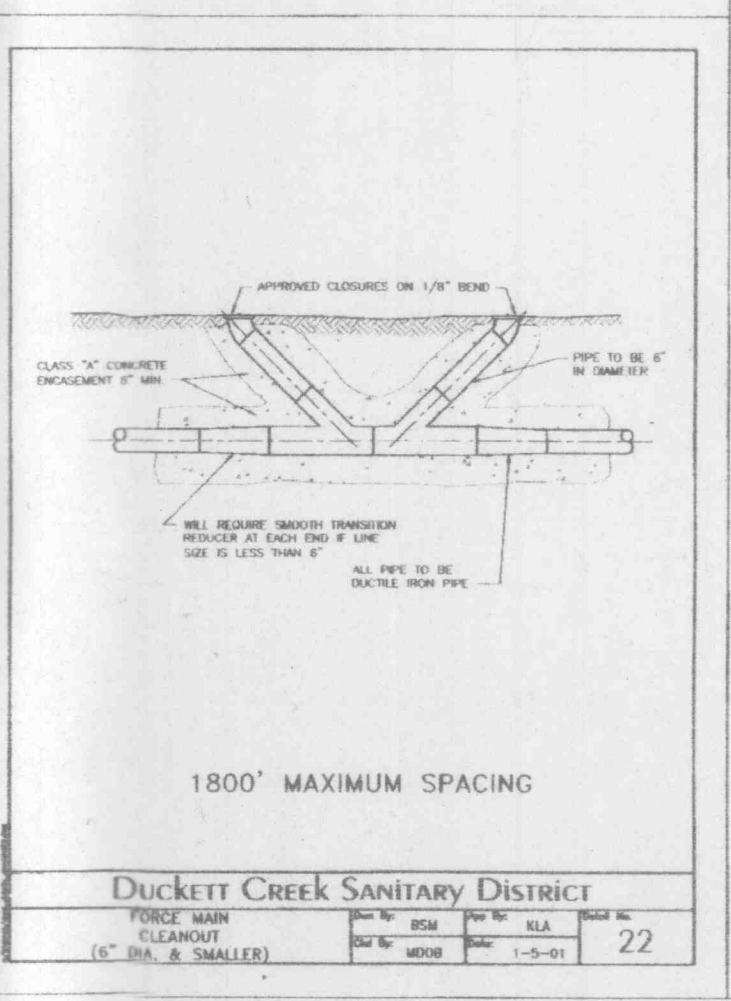
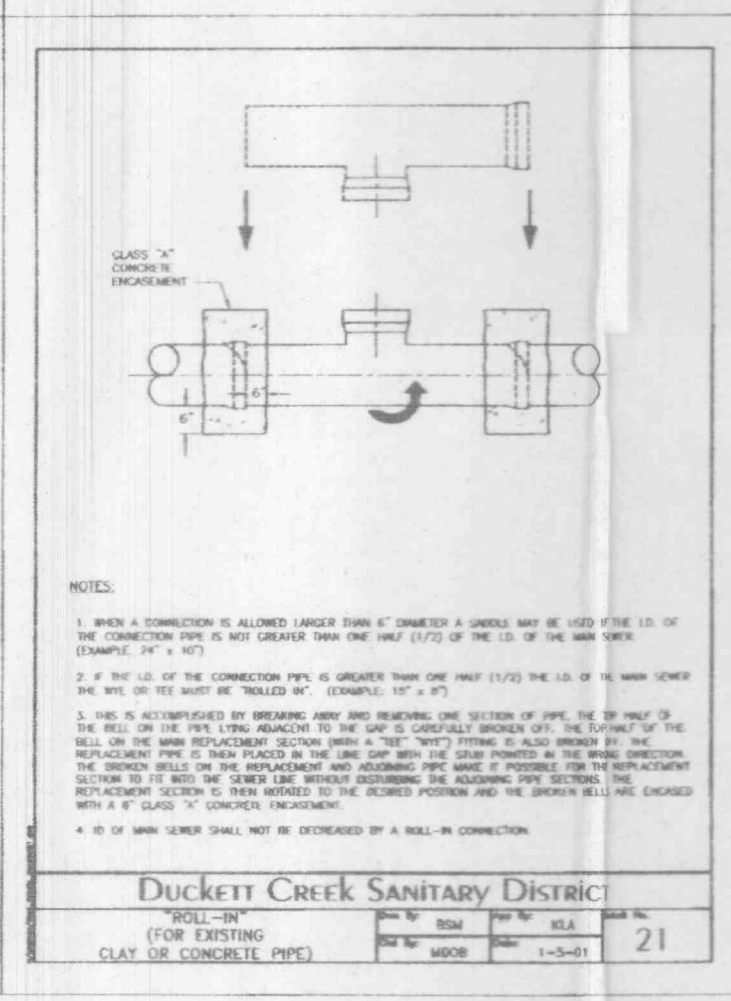
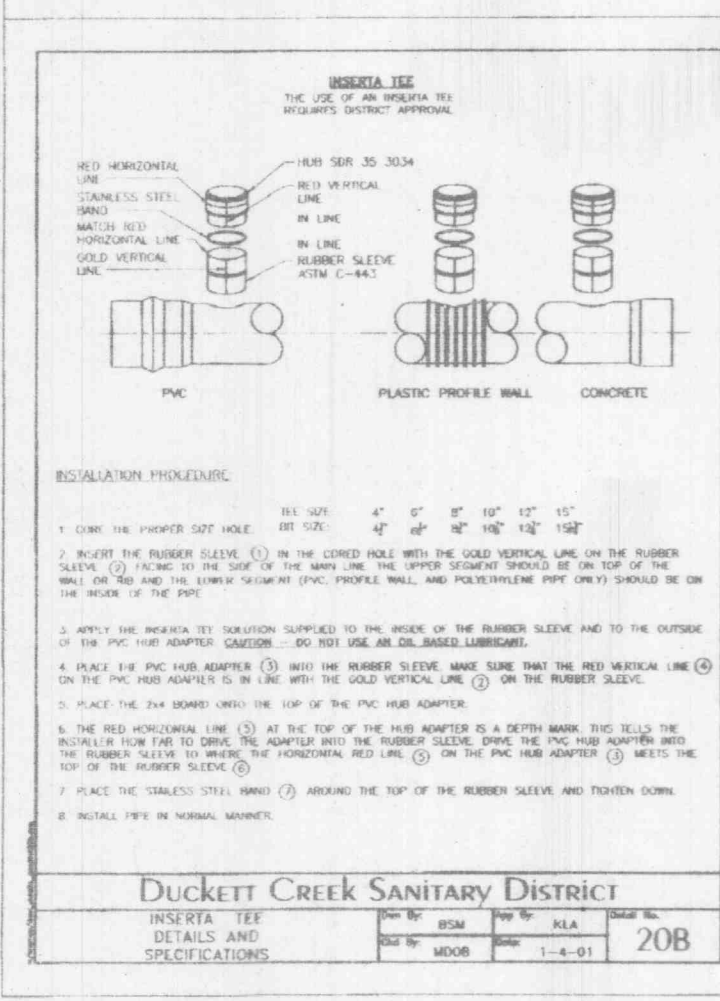
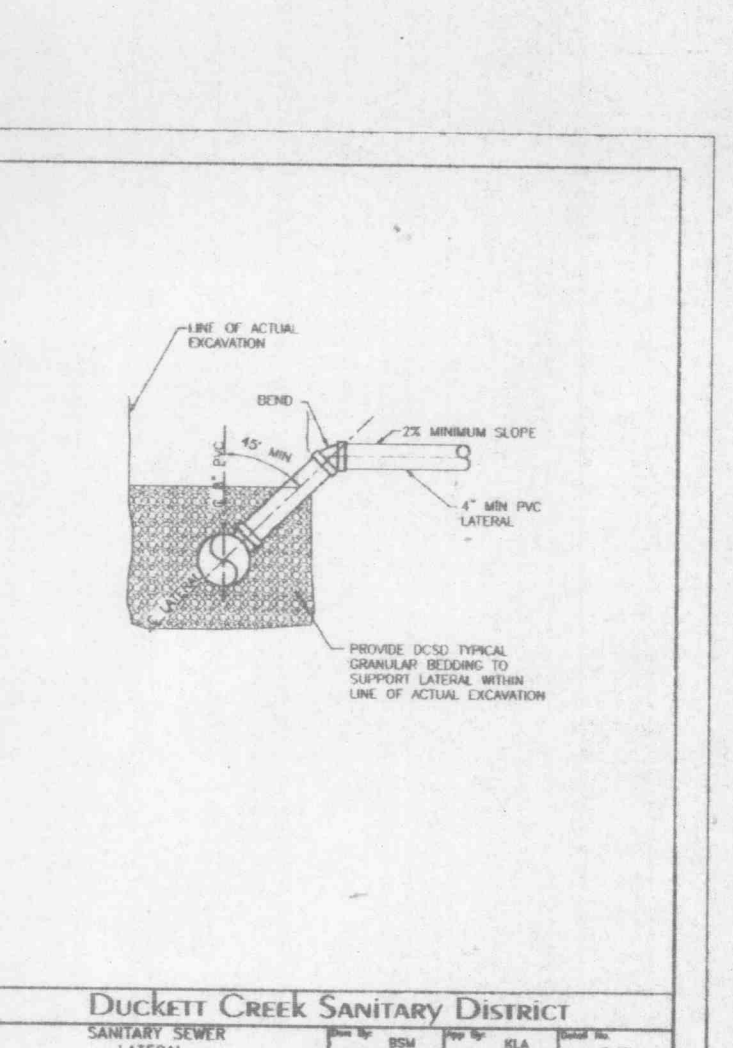
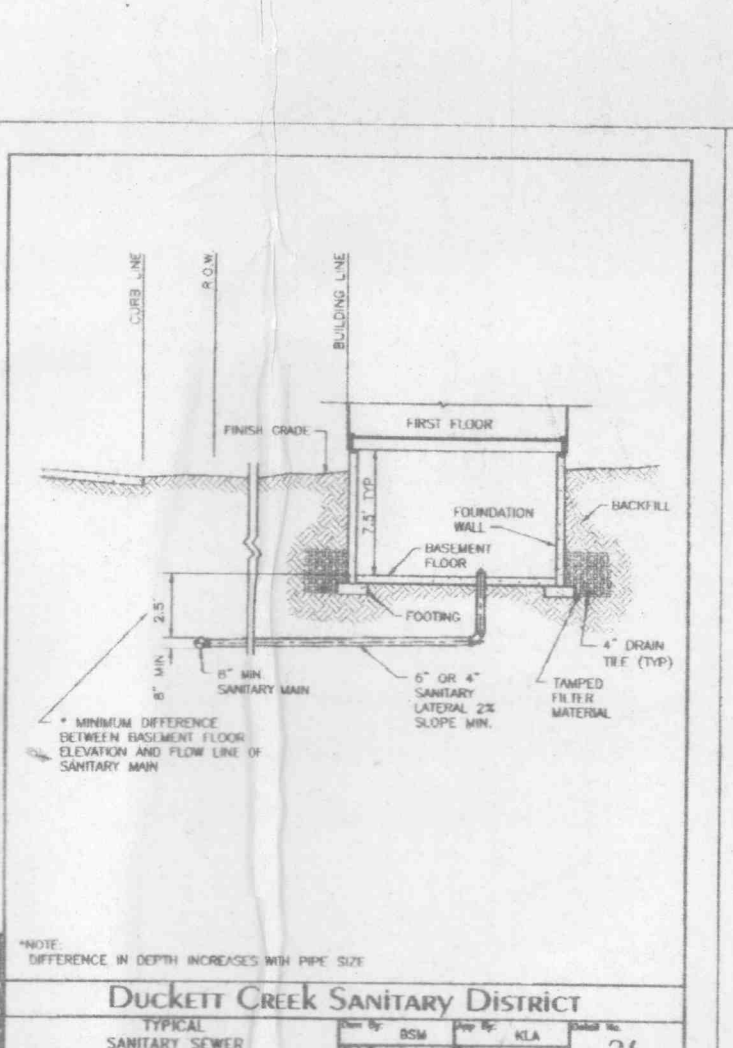
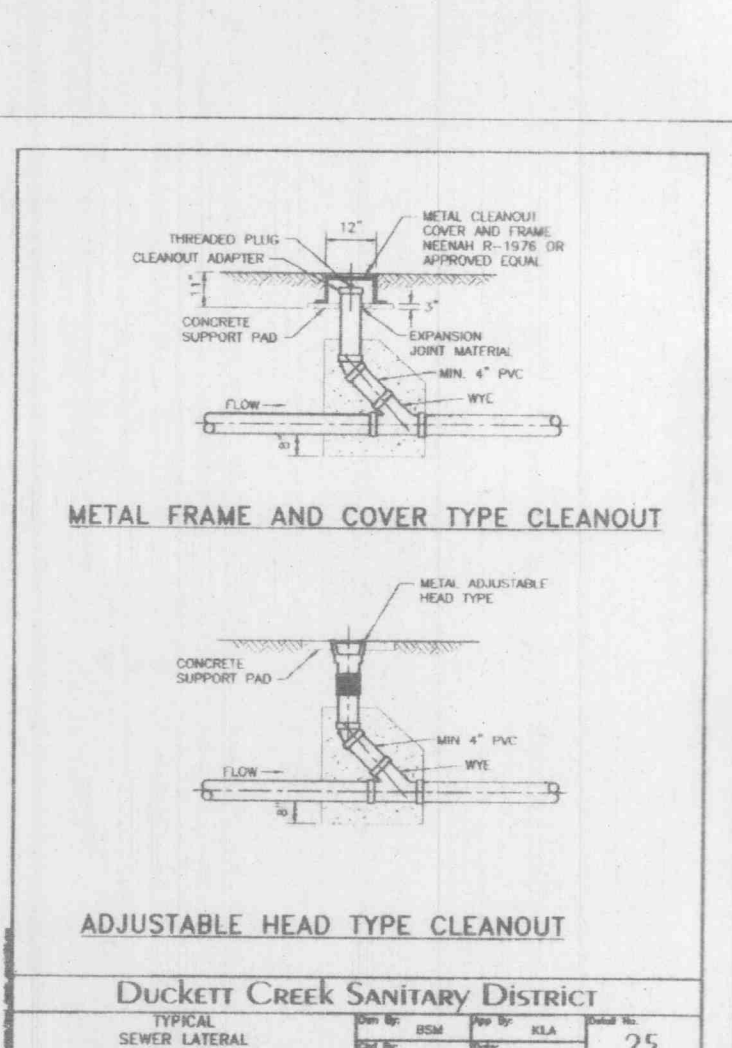
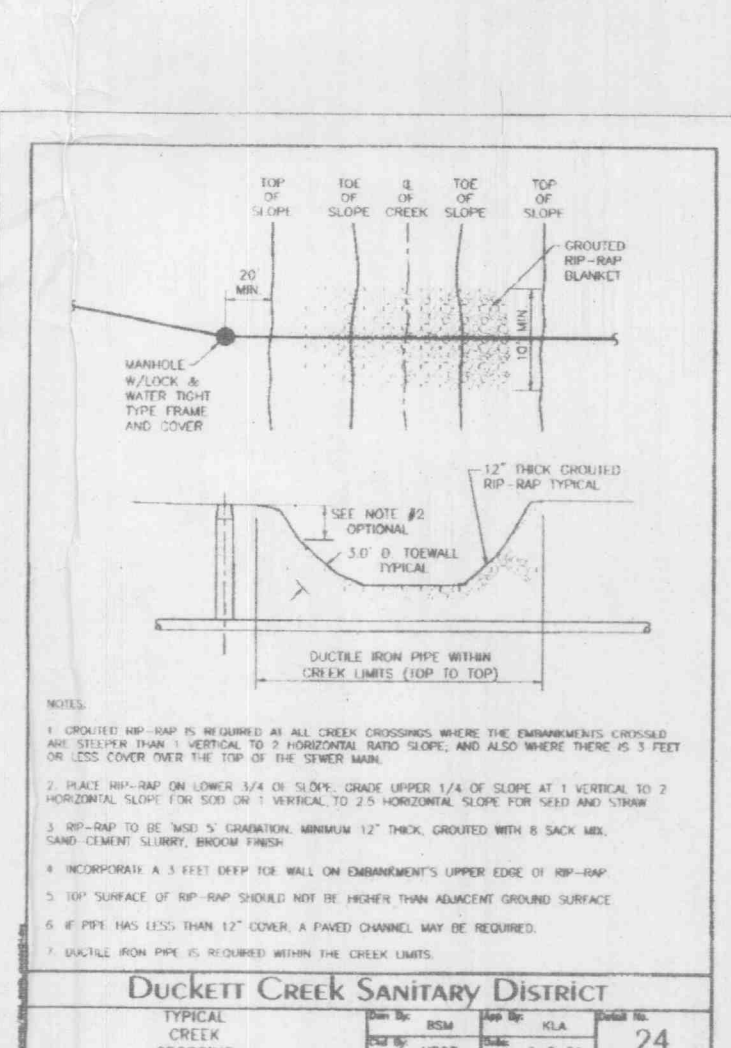
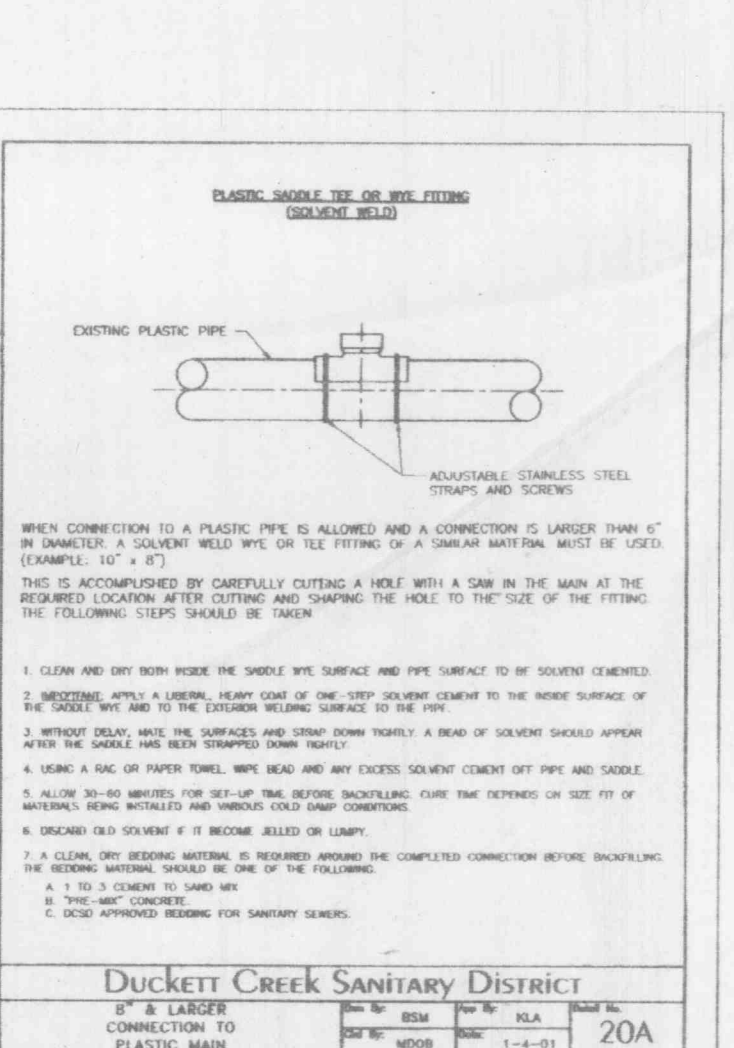
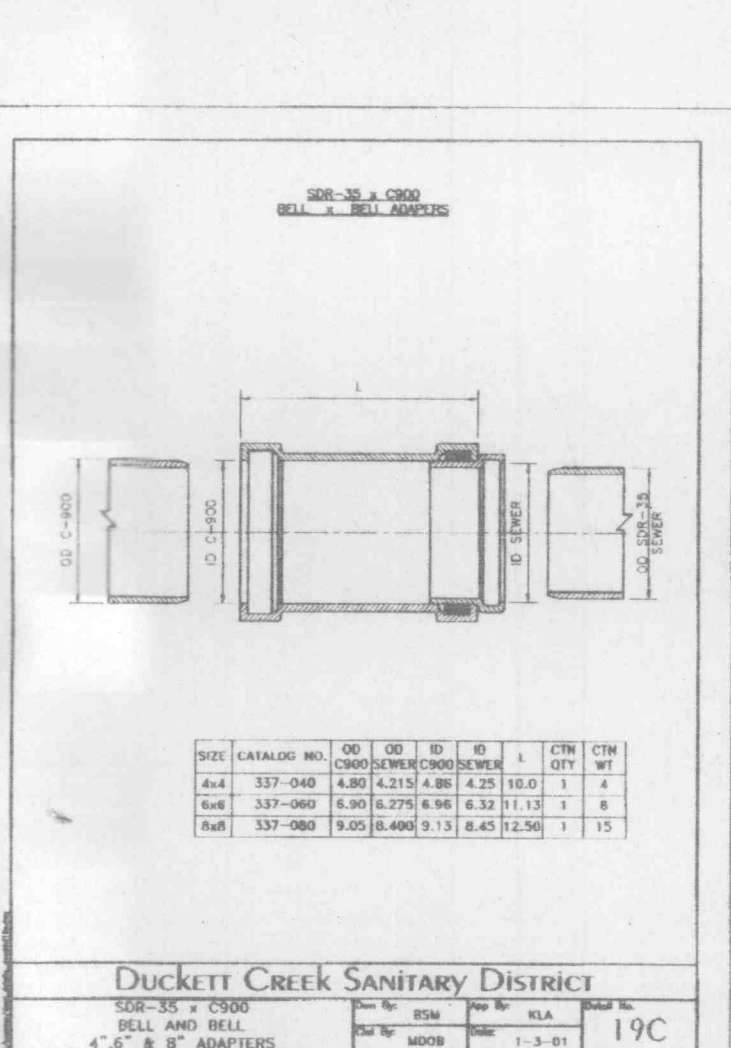
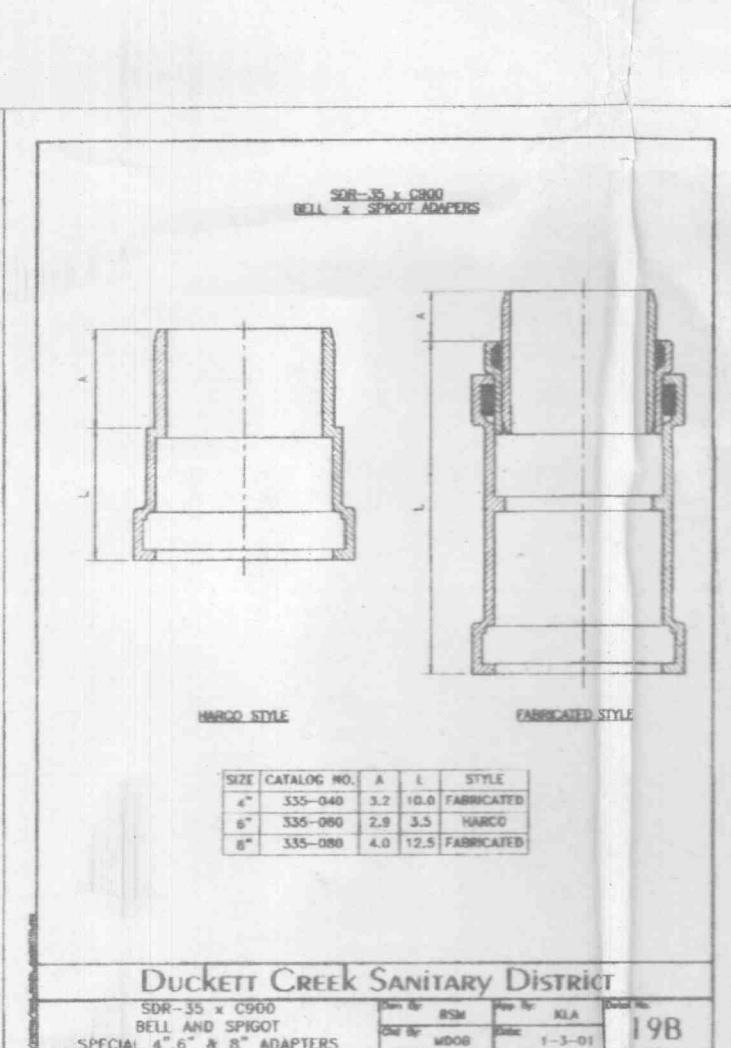
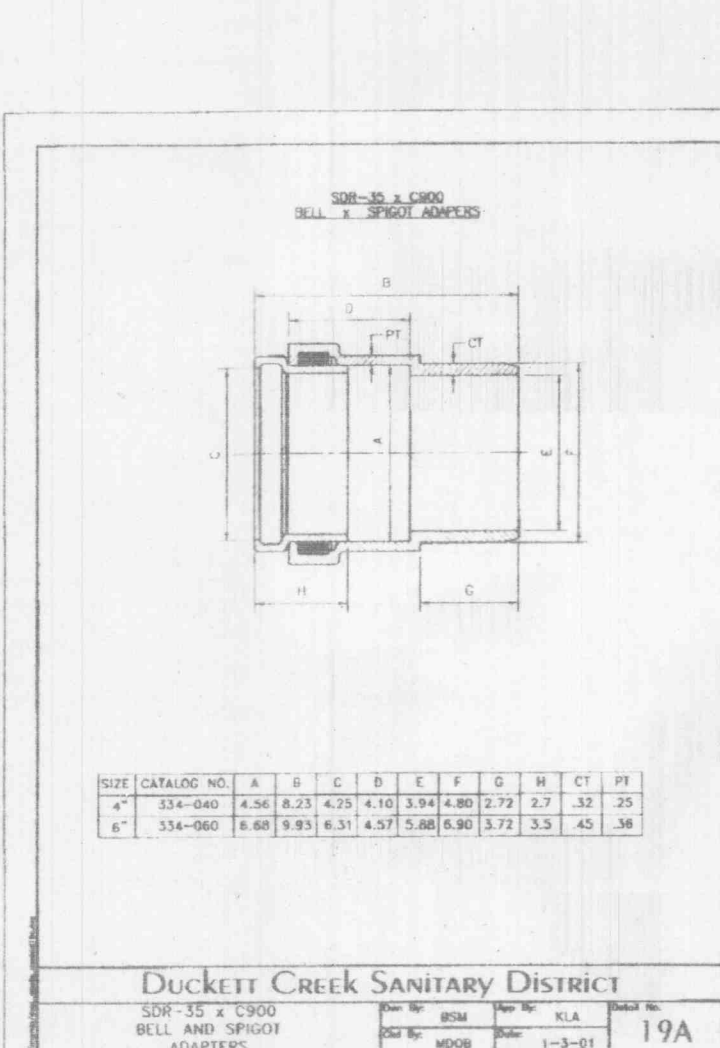
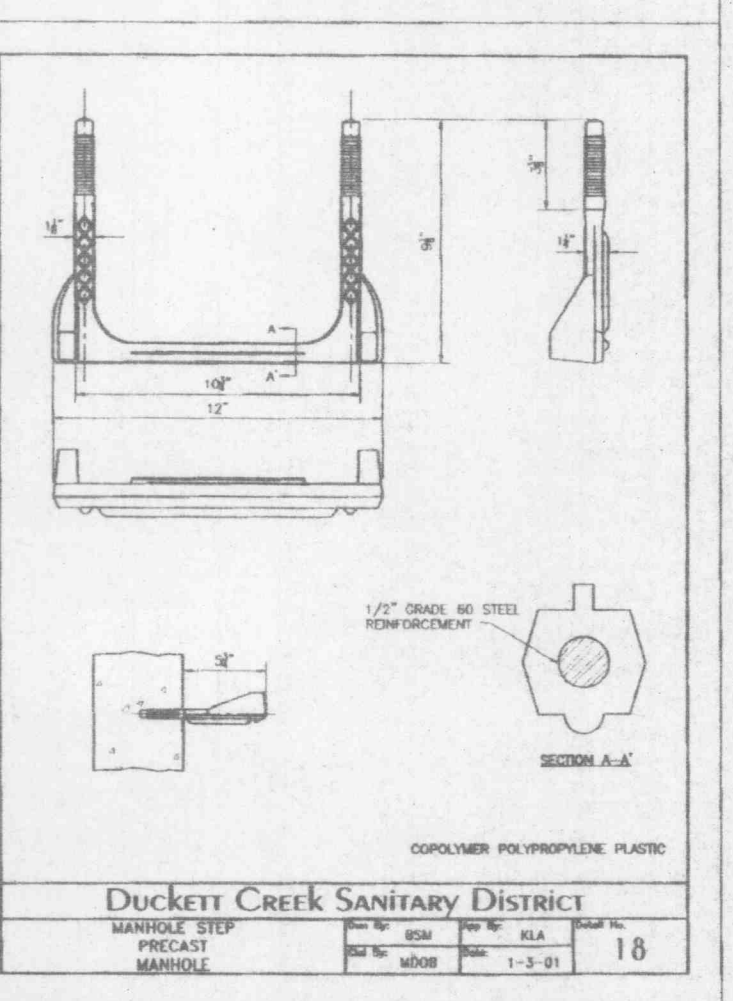
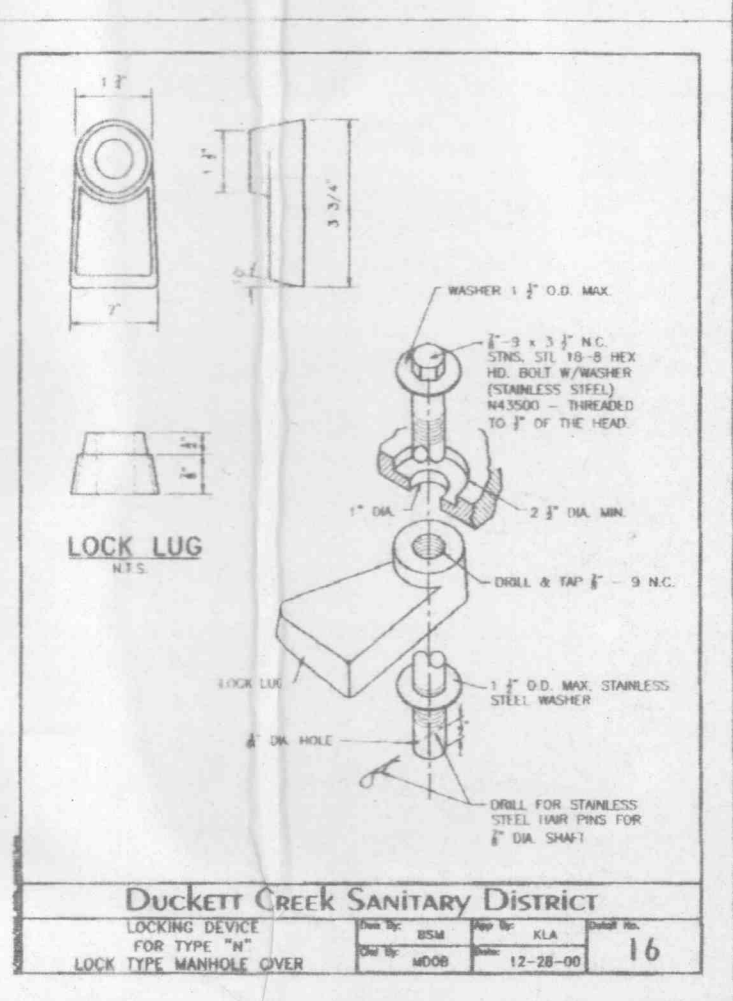
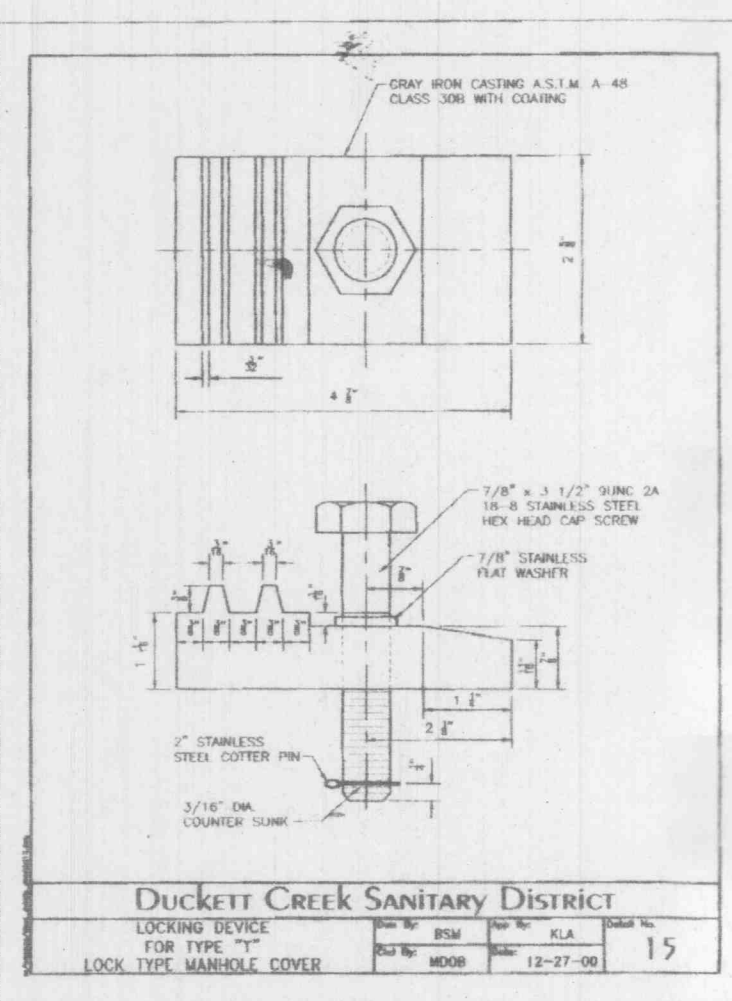
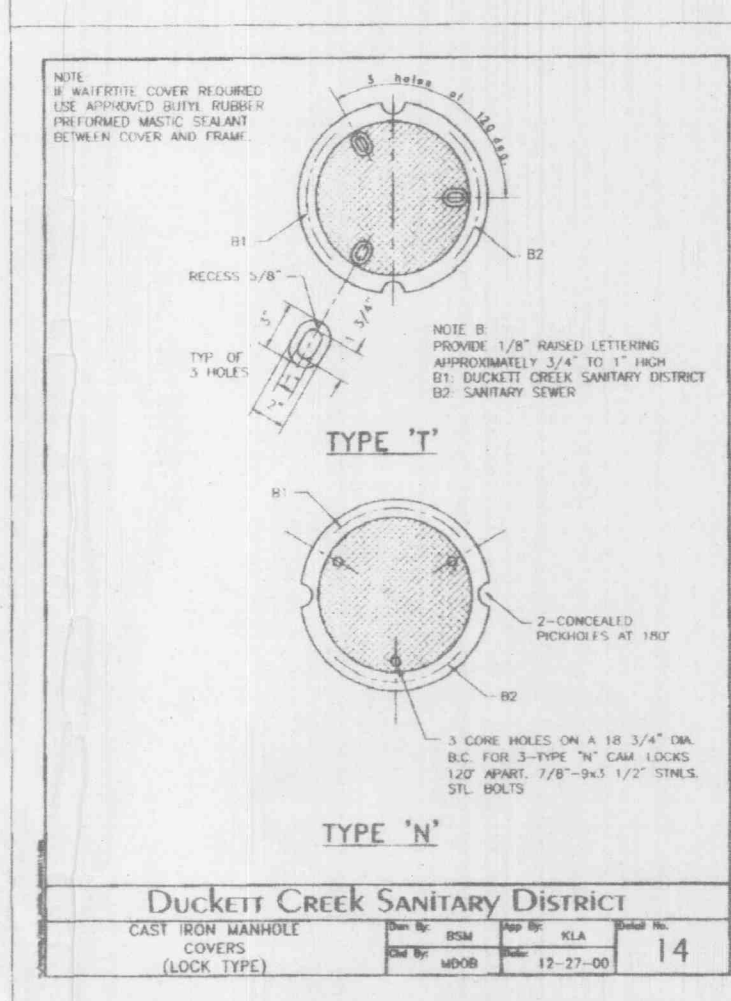
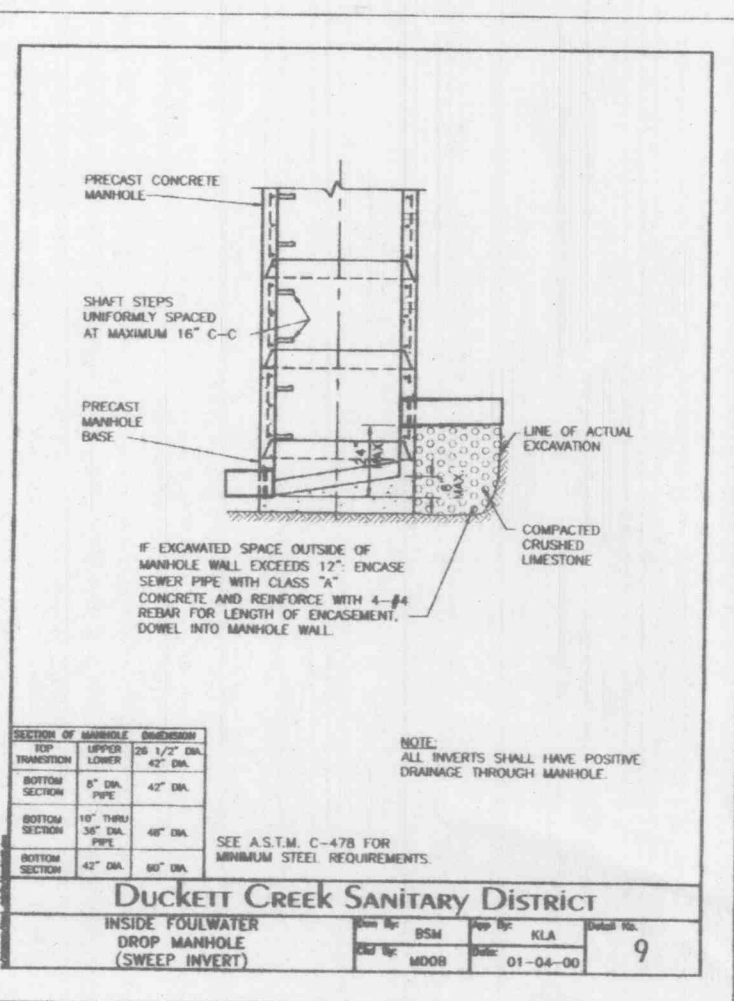
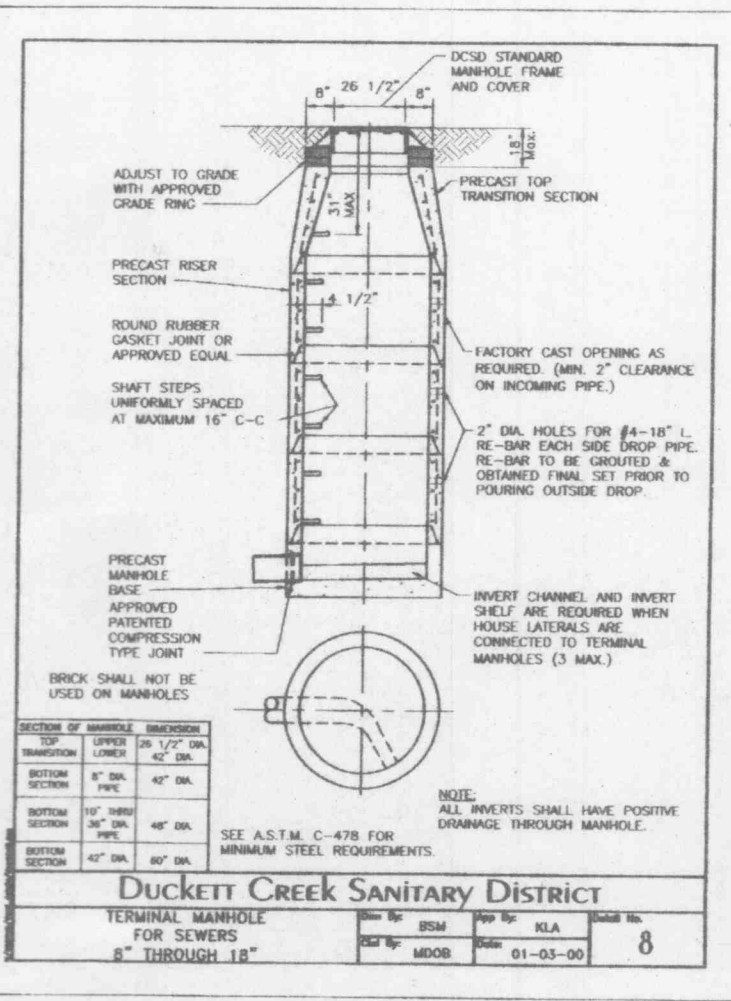
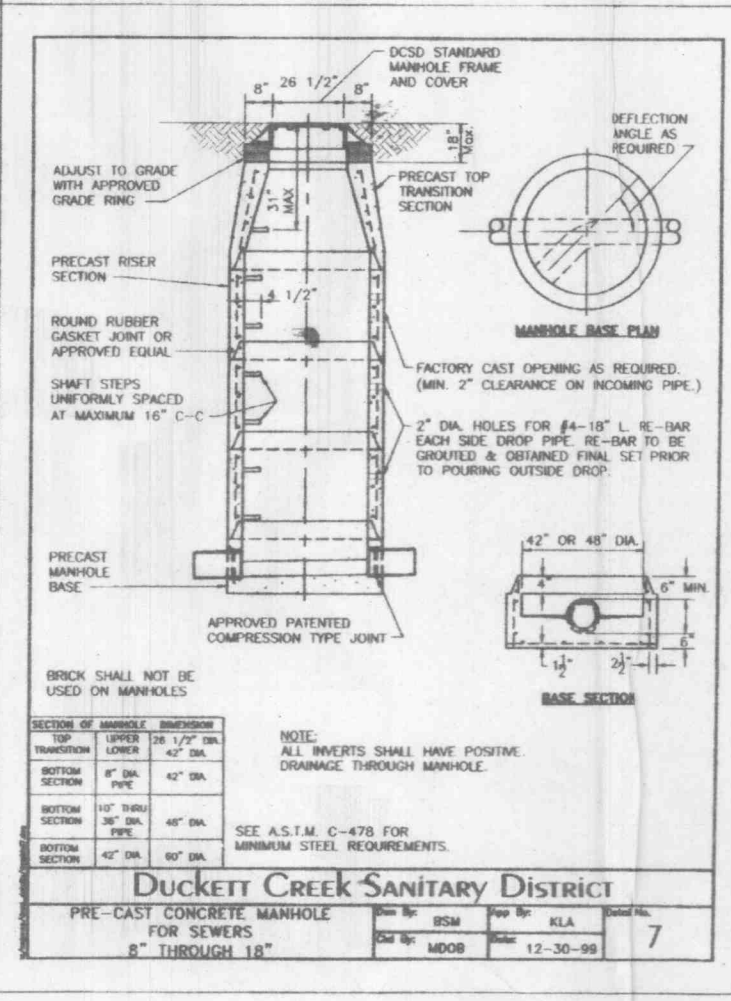
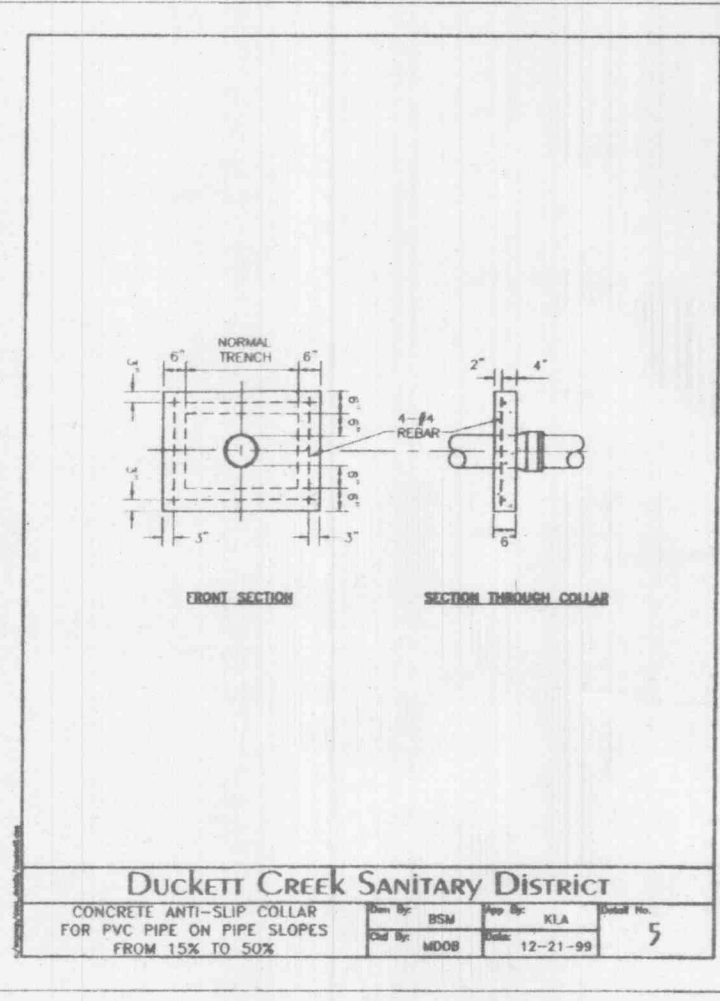
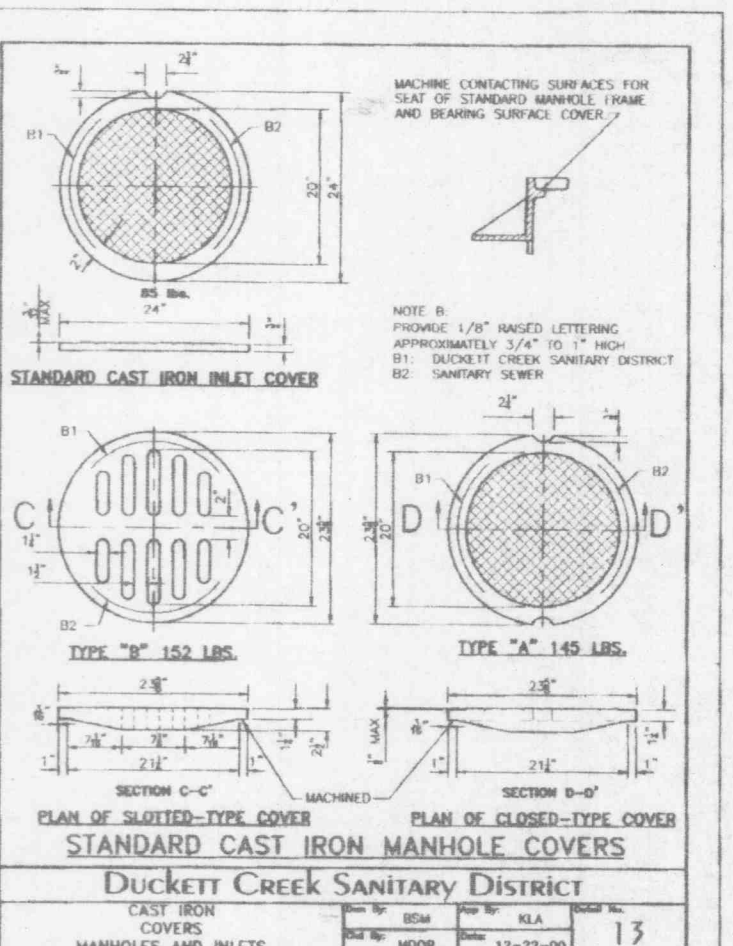
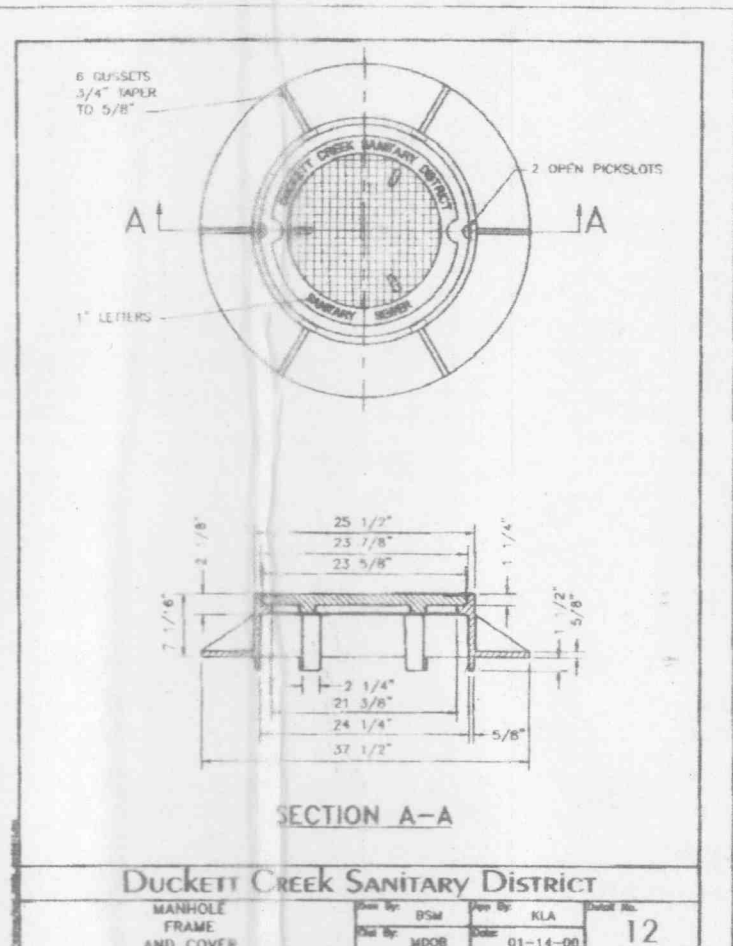
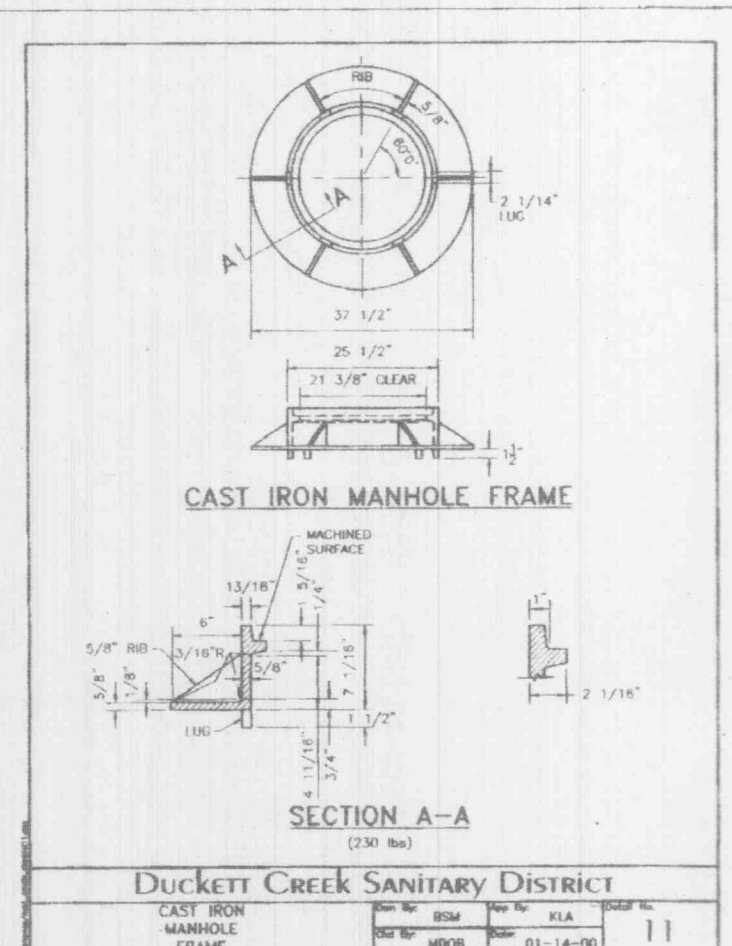
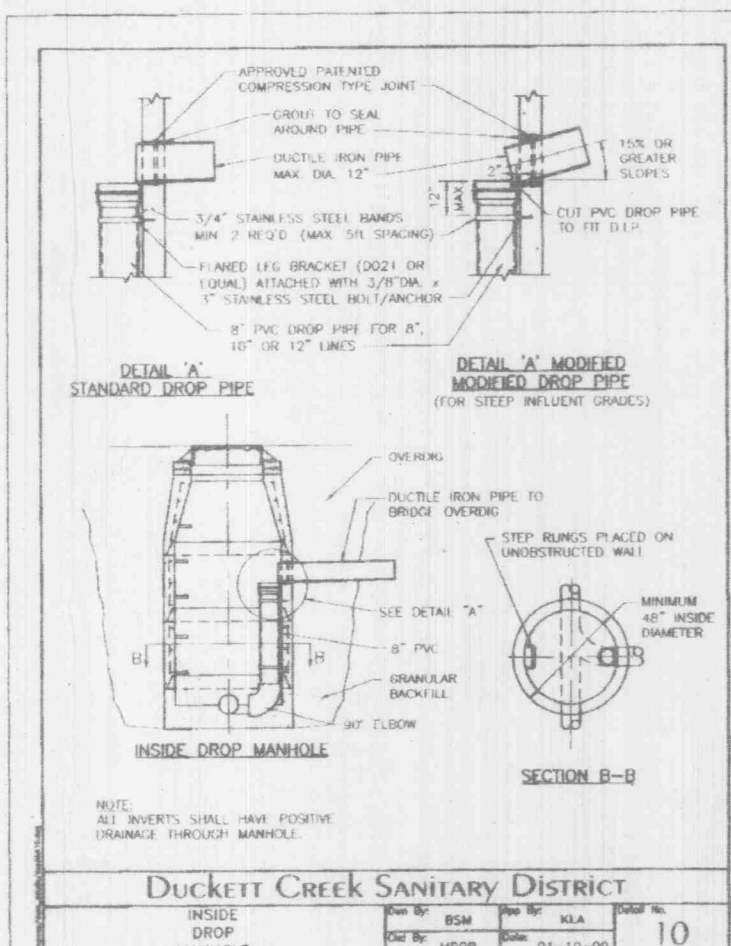
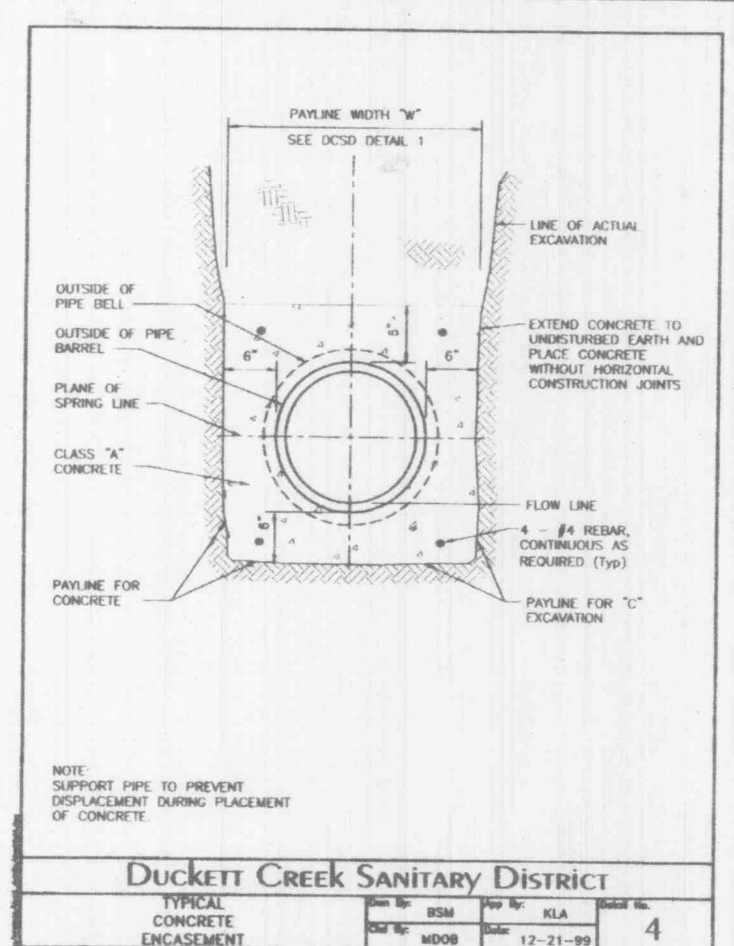
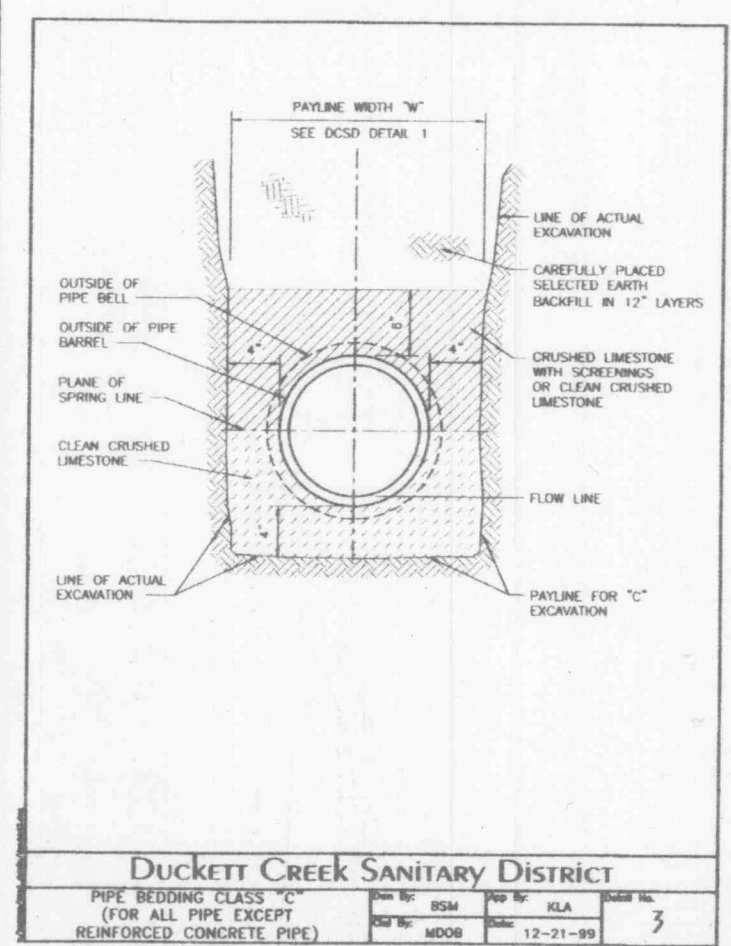
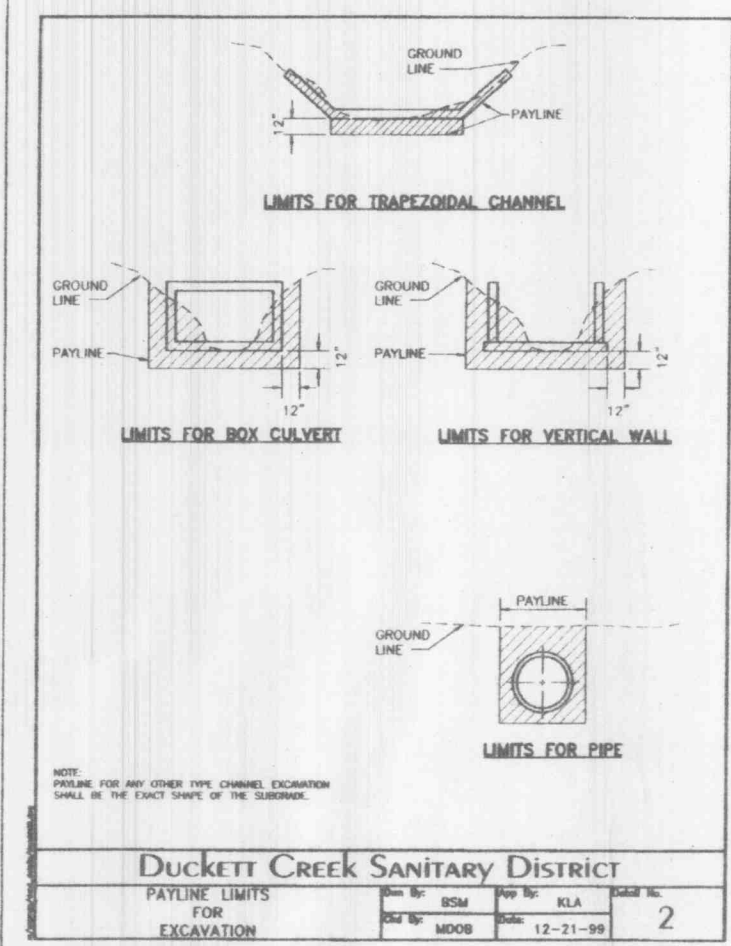


ROUND PIPE		HORIZONTAL ELLIPTICAL PIPE	
INSIDE DIAMETER OF PIPE (INCHES)	PAVING WIDTH OF TRENCH (INCHES)	INSIDE WIDTH OF PIPE (INCHES)	PAVING WIDTH OF TRENCH (INCHES)
4	2.50	4	2.50
6	3.50	6	3.50
8	4.50	8	4.50
10	5.50	10	5.50
12	6.50	12	6.50
15	8.00	15	8.00
18	9.50	18	9.50
20	11.00	20	11.00
24	13.50	24	13.50
28	16.00	28	16.00
30	17.50	30	17.50
36	21.00	36	21.00
42	24.50	42	24.50
48	28.00	48	28.00
54	31.50	54	31.50
60	35.00	60	35.00
66	38.50	66	38.50
72	42.00	72	42.00
78	45.50	78	45.50
84	49.00	84	49.00
90	52.50	90	52.50
96	56.00	96	56.00
102	59.50	102	59.50
108	63.00	108	63.00
114	66.50	114	66.50
120	70.00	120	70.00
126	73.50	126	73.50
132	77.00	132	77.00
138	80.50	138	80.50
144	84.00	144	84.00



McEagle Development  
 689 CRANG ROAD  
 ST. LOUIS, MISSOURI 63141  
 TEL: (314) 432-4320  
 FAX: (314) 432-6501

**VOLZ**  
 REGISTERED PROFESSIONAL ENGINEER  
 STATE OF MISSOURI  
 NUMBER 1084  
 E-2884  
 5-31-2008

**HILTON AT WINGHAVEN**

CONSTRUCTION DETAILS  
 Design By: JAF  
 Drawn By: JRS  
 Checked By: JAF  
 B59-30-22

02-15-02  
 06