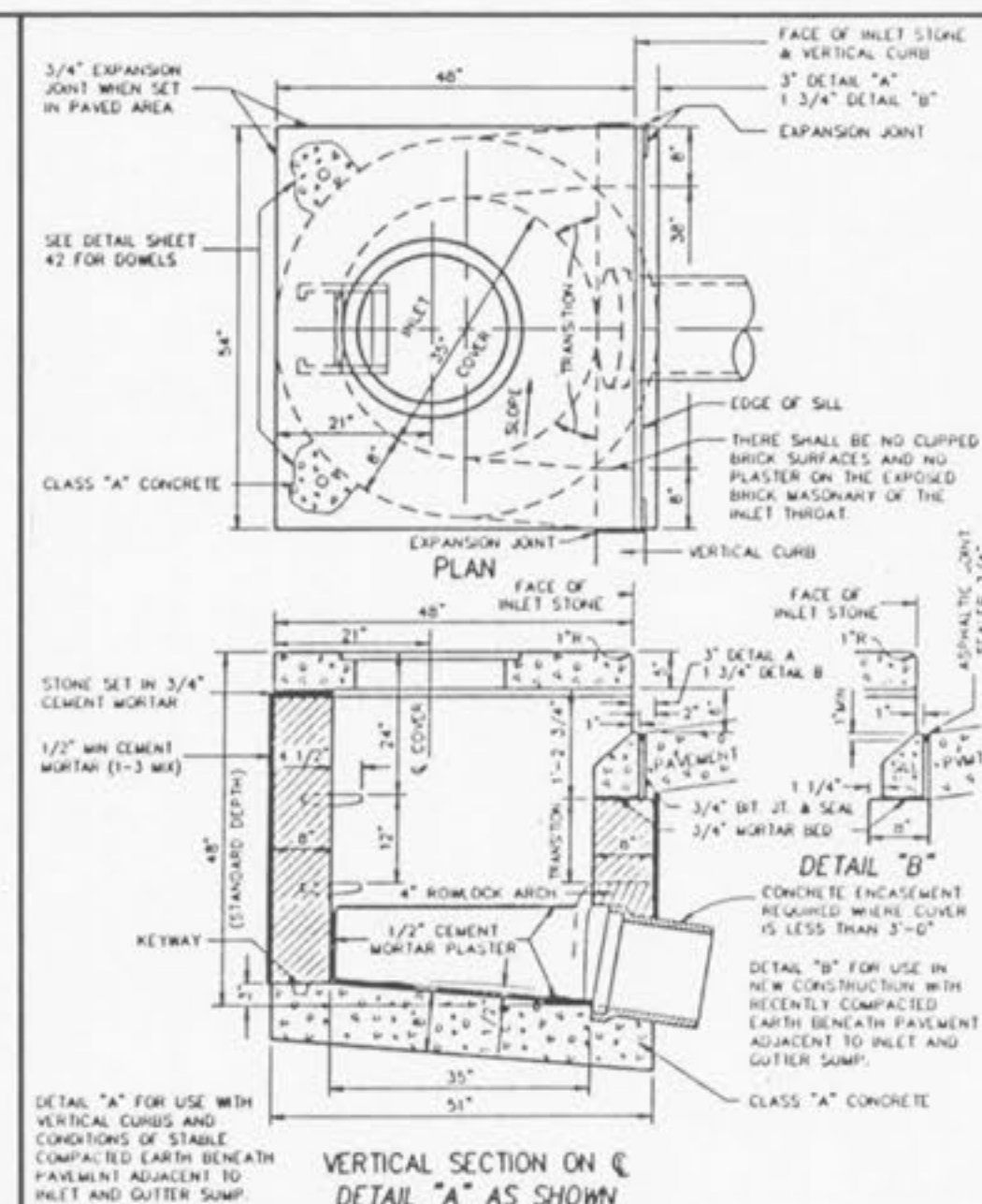
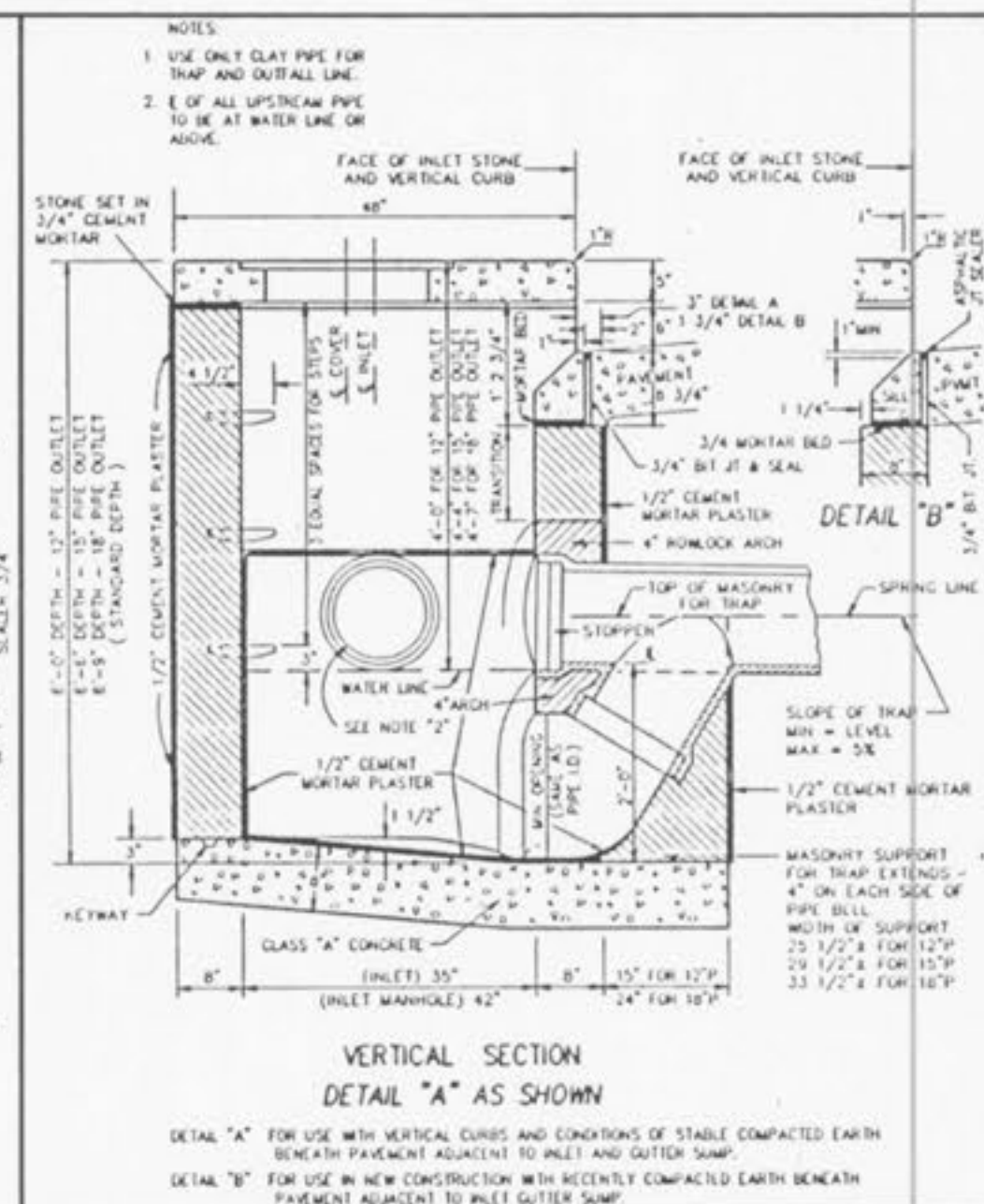


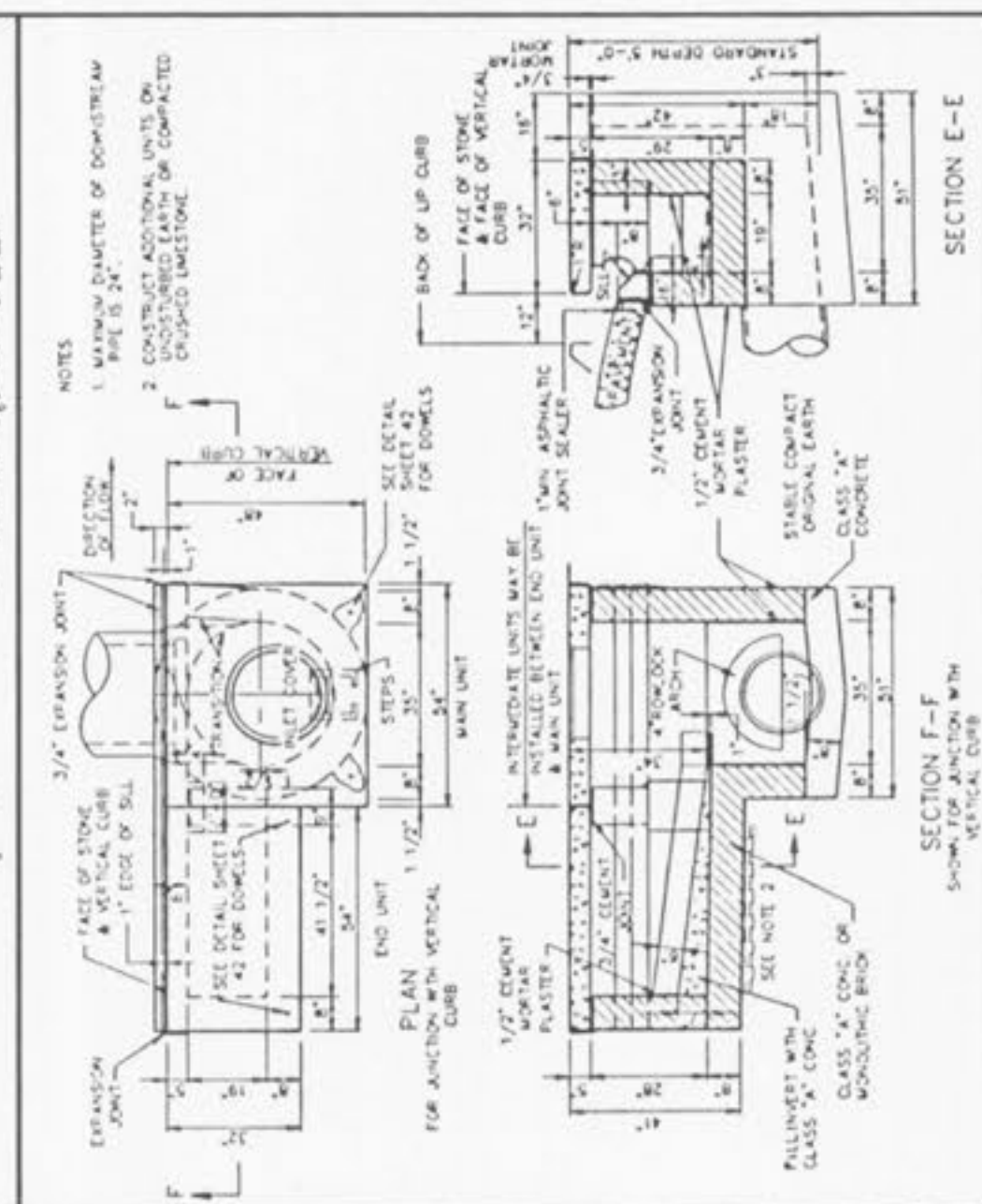
TYPICAL PRE-CAST MH. TEE FOR REINFORCED CONCRETE PIPE SEWERS 48\"/>



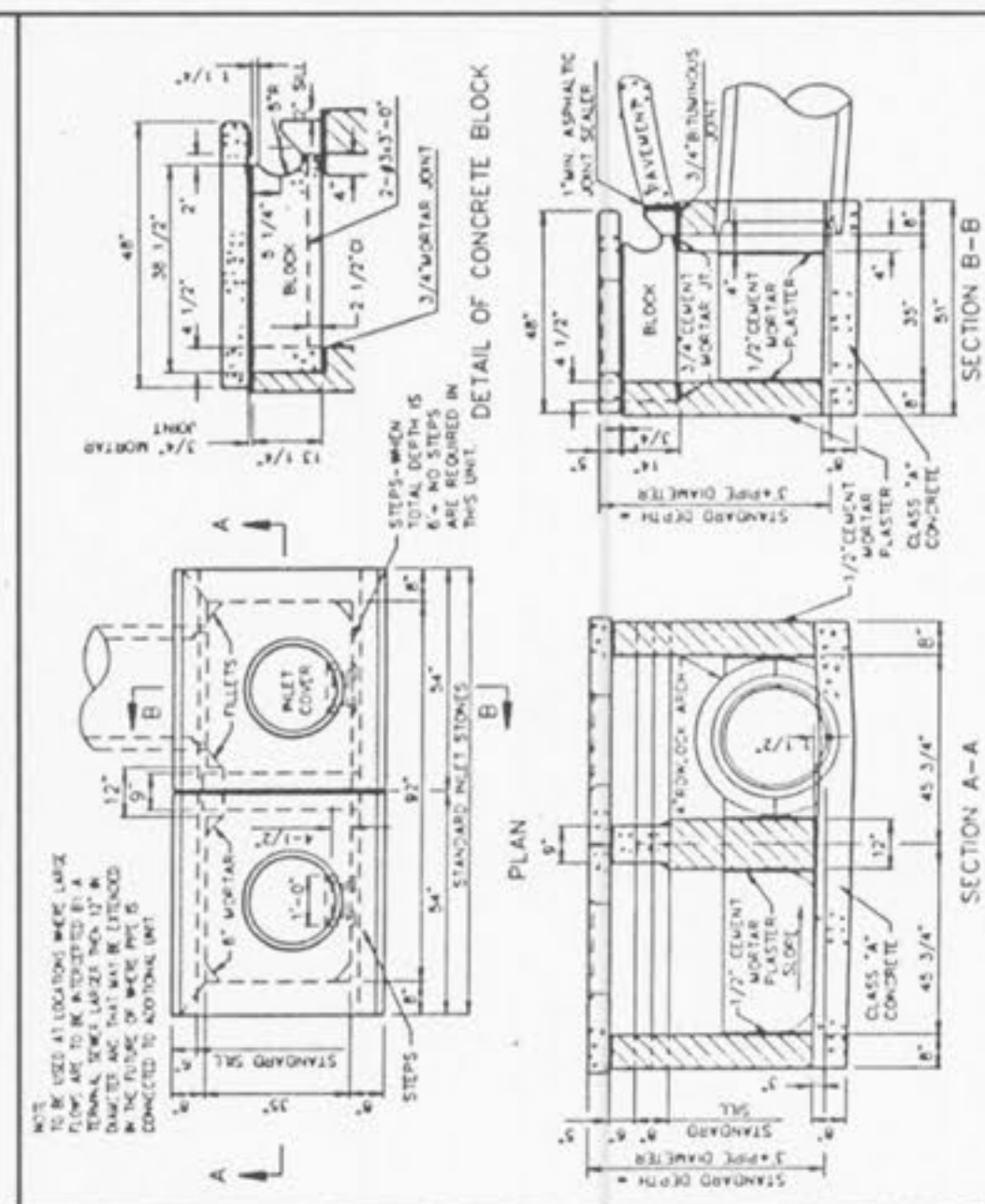
UNTRAPPED STREET INLET BRICK CONSTRUCTION



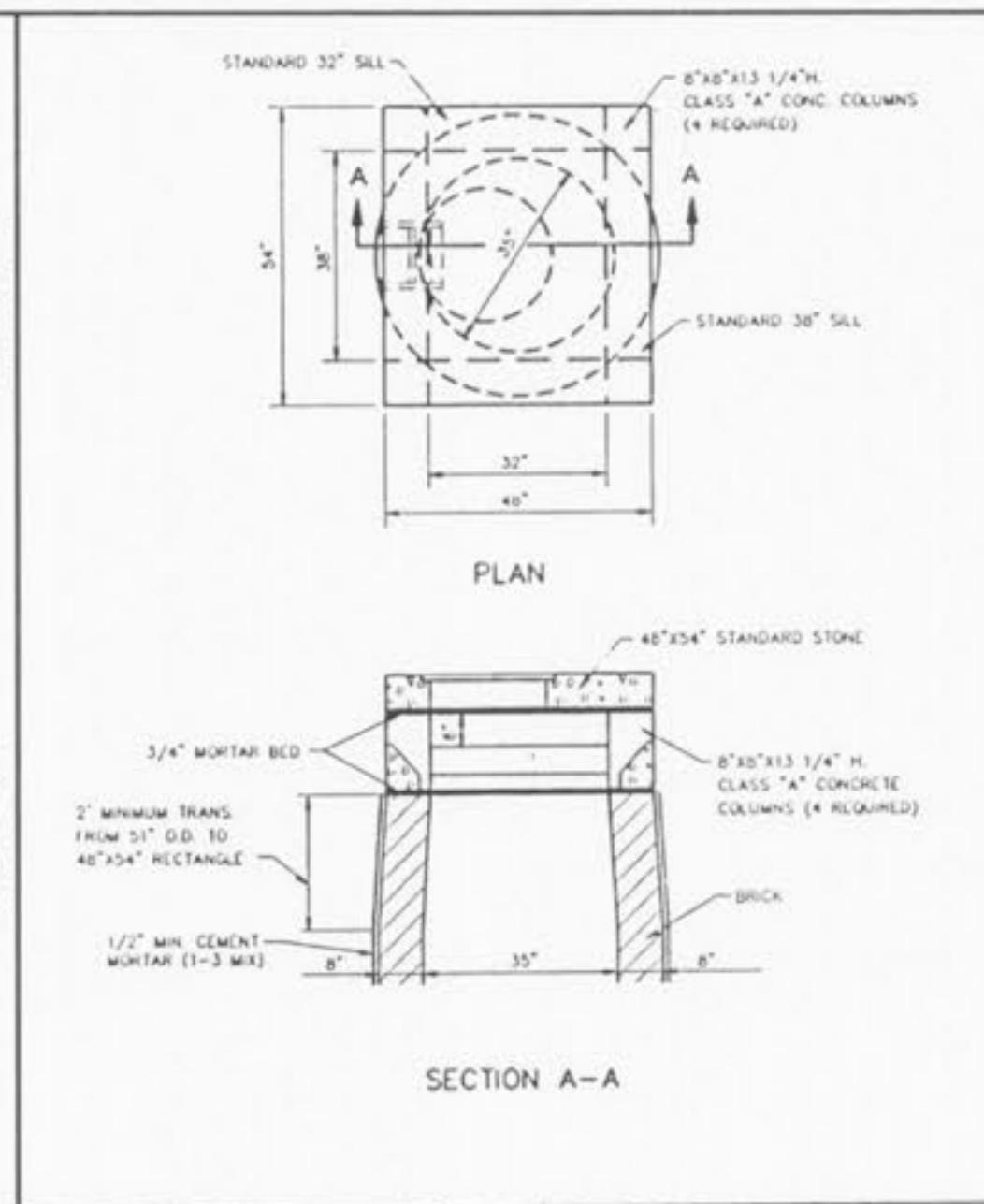
TRAPPED STREET INLET BRICK CONSTRUCTION



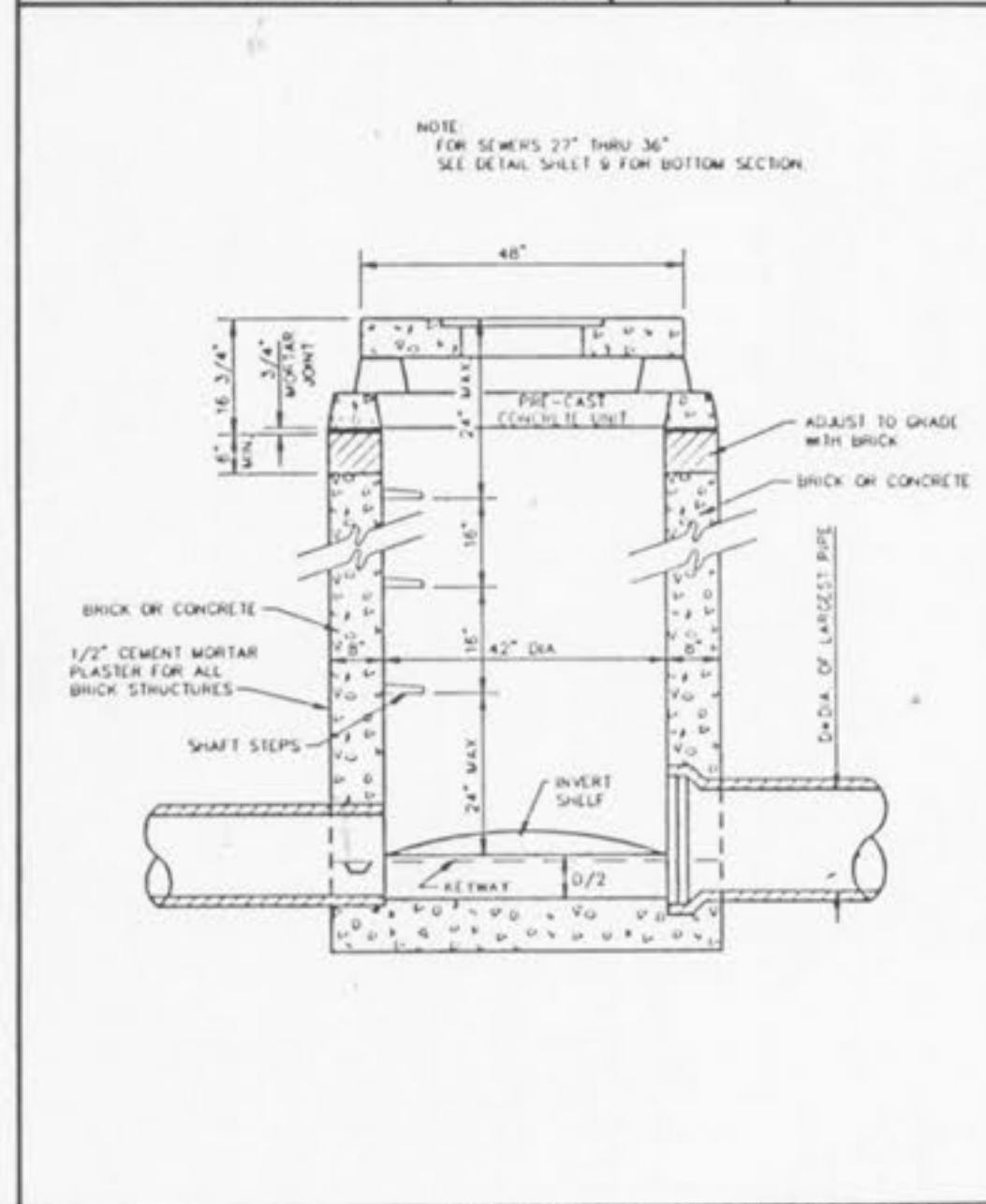
MULTIPLE STREET INLET BRICK CONSTRUCTION



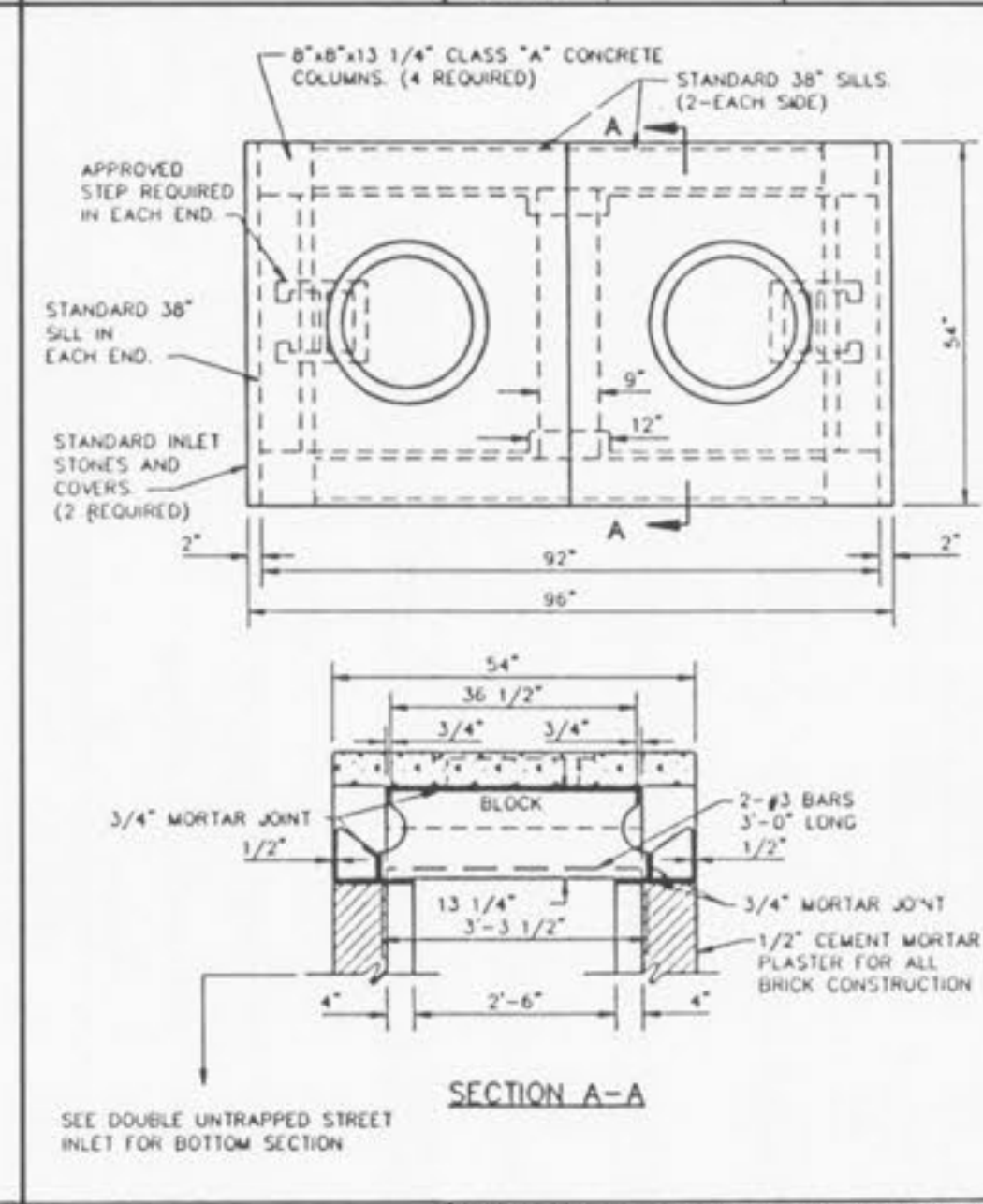
DOUBLE UNTRAPPED STREET INLET BRICK CONSTRUCTION



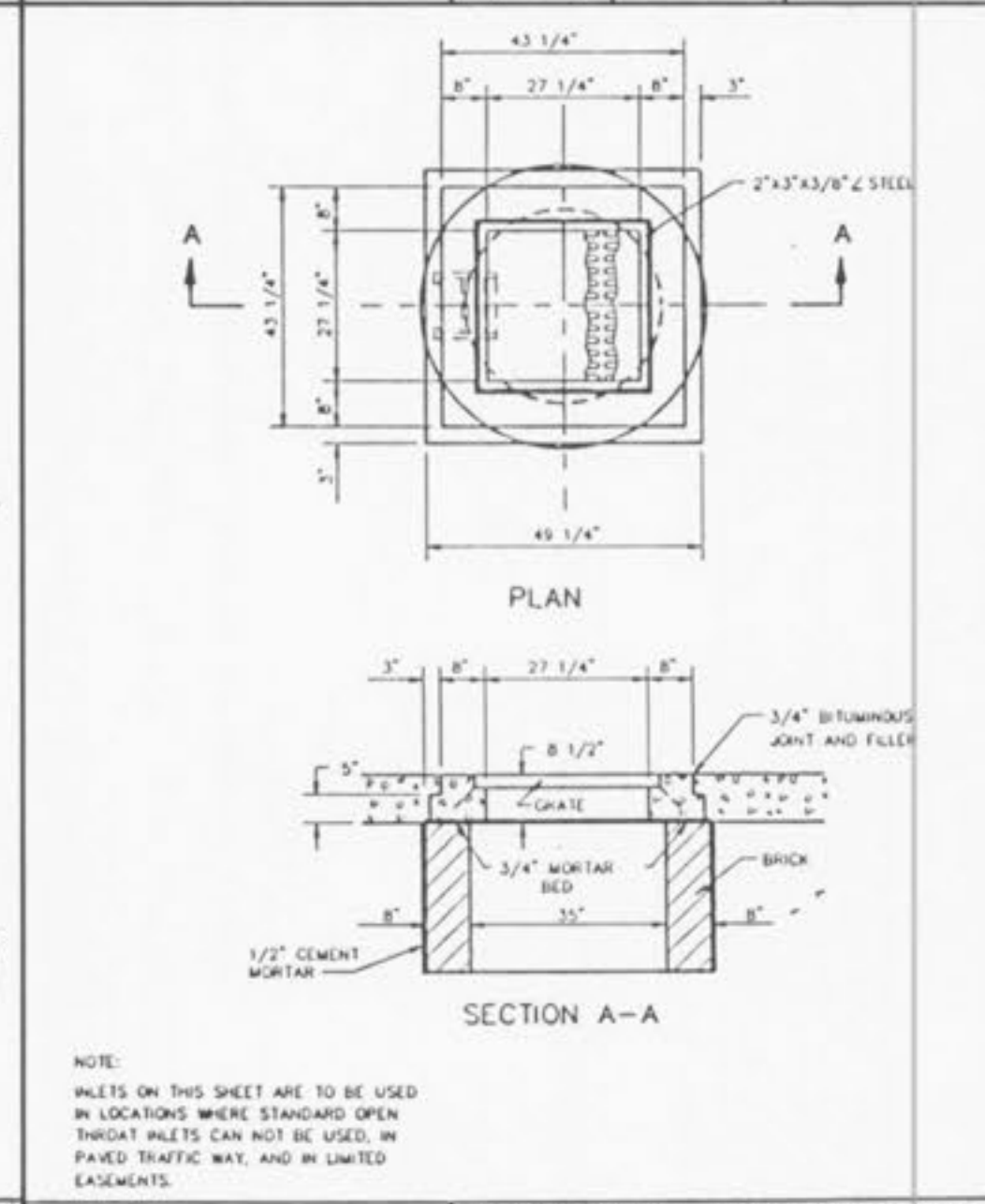
AREA INLET OPEN 4 SIDES BRICK CONSTRUCTION



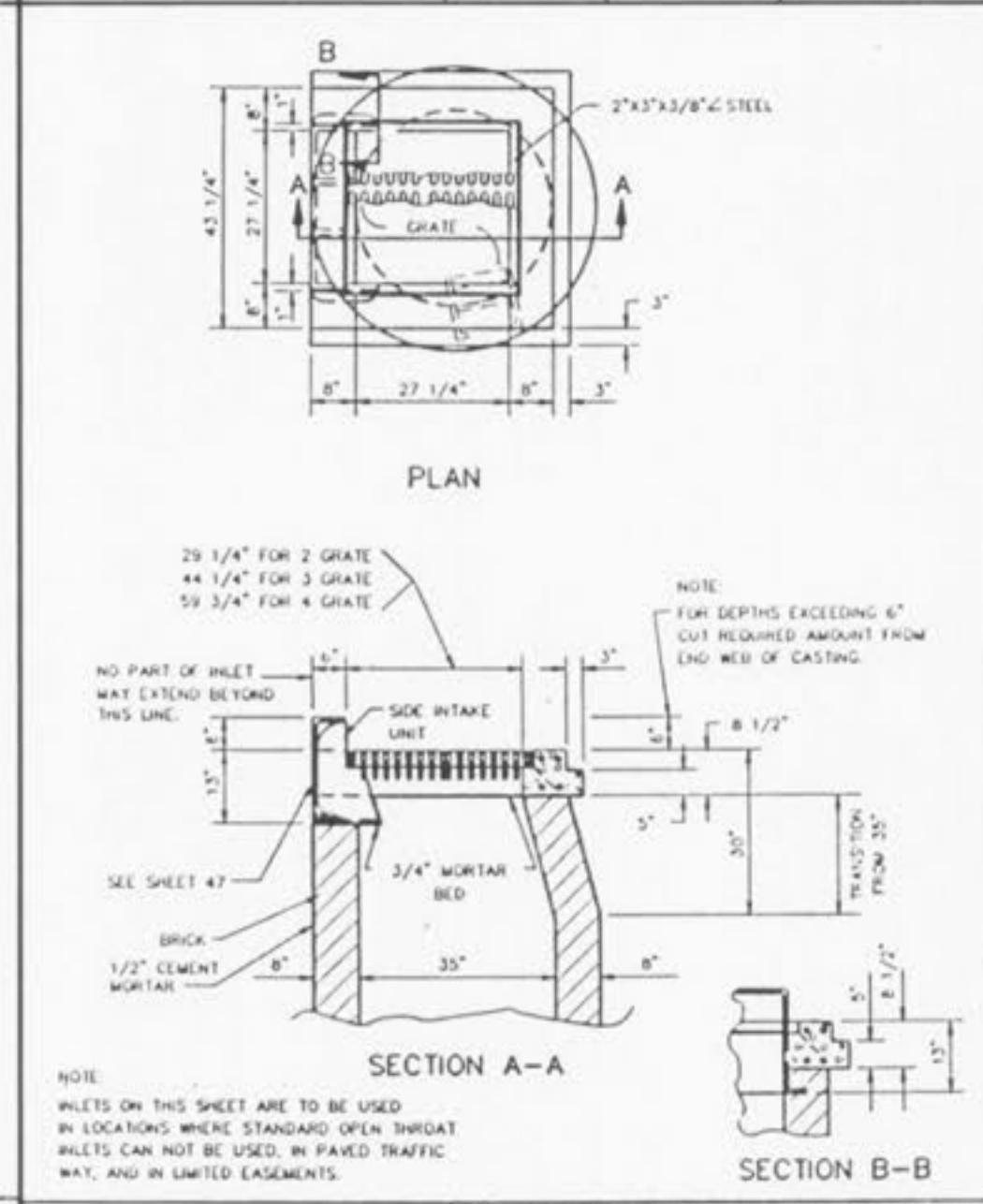
AREA INLET MANHOLE (12\"/>



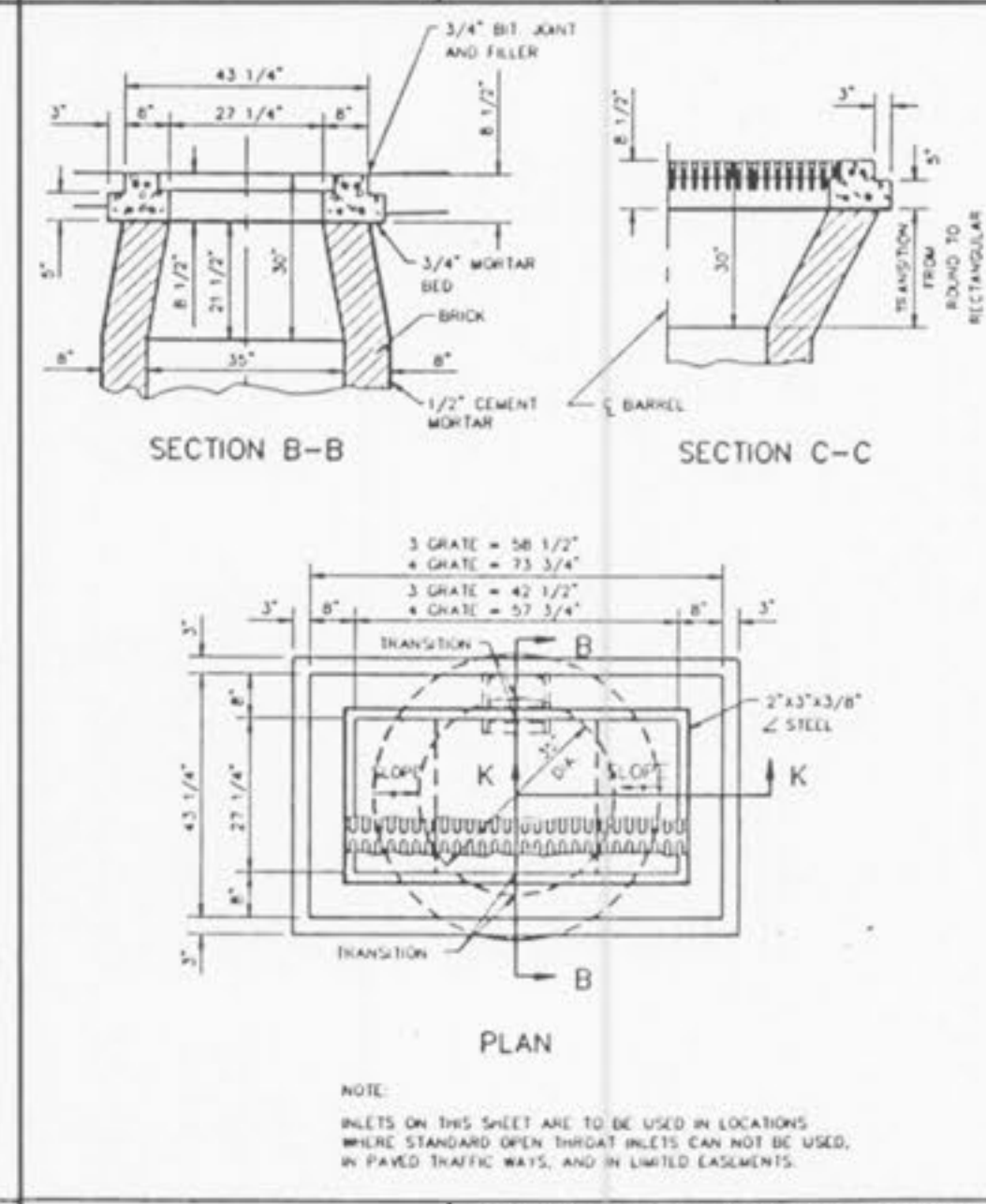
DOUBLE AREA INLET OPEN 4 SIDES BRICK CONSTRUCTION



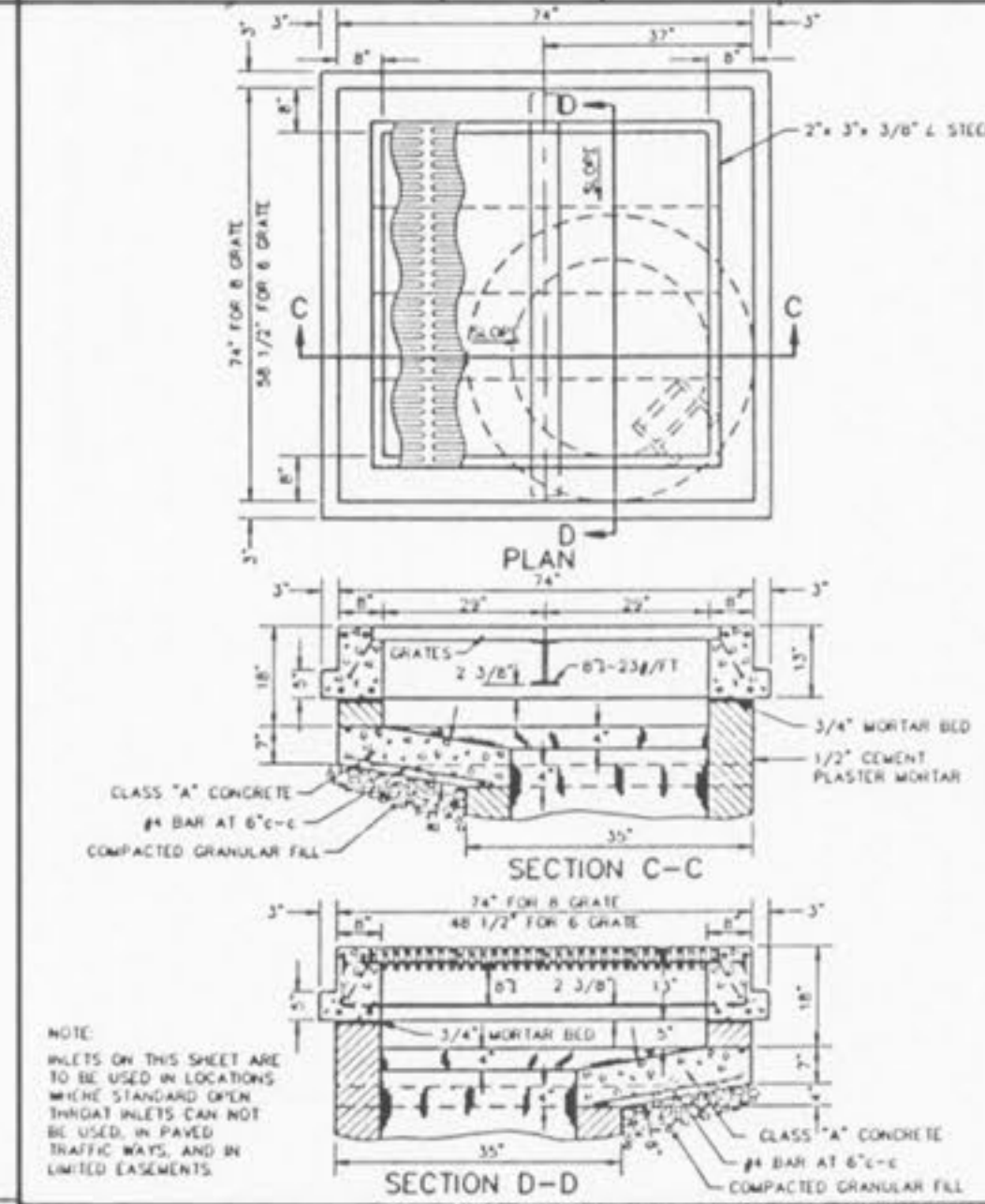
2 GRATE INLET BRICK CONSTRUCTION



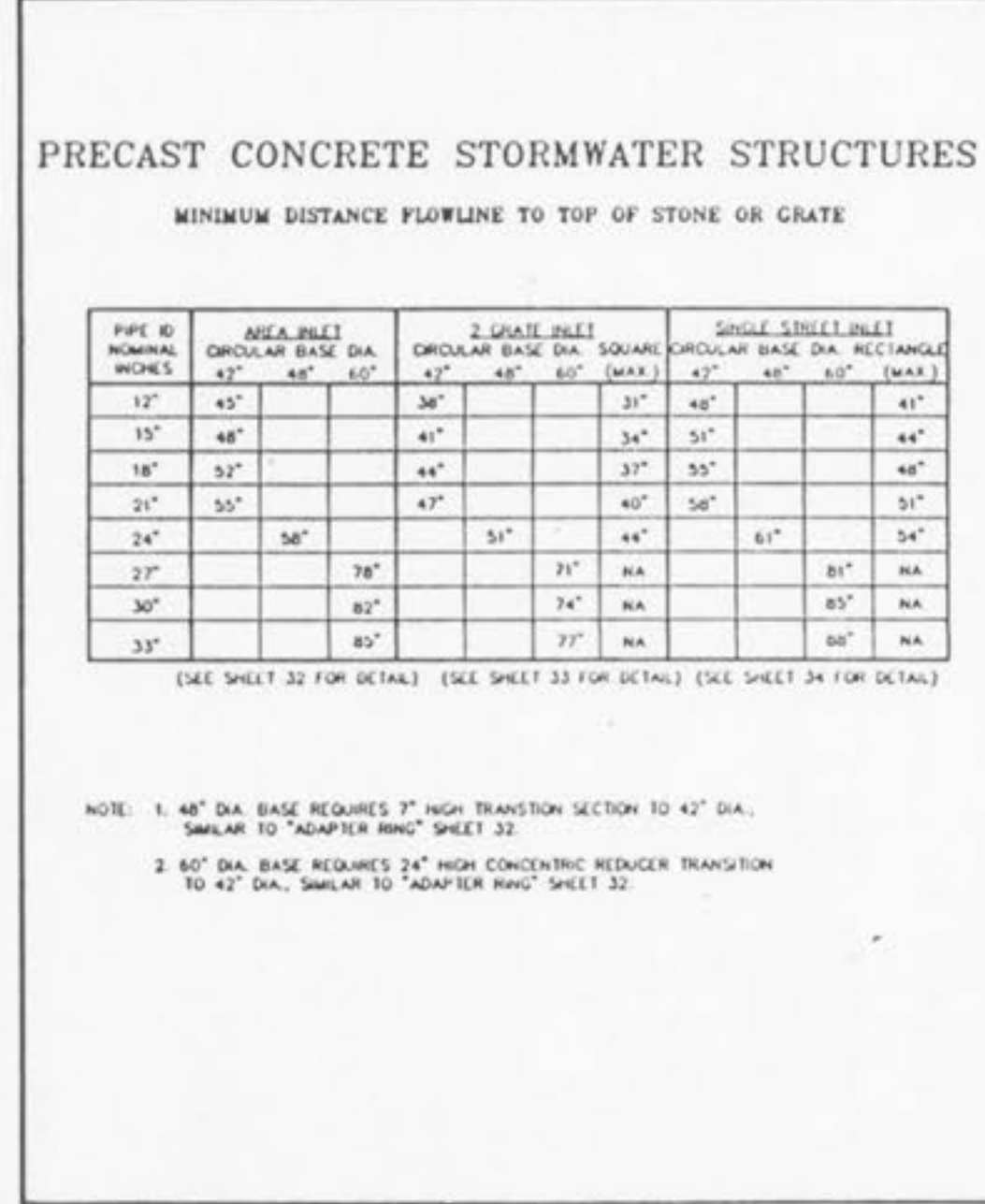
2 GRATE INLET WITH SIDE INTAKE BRICK CONSTRUCTION



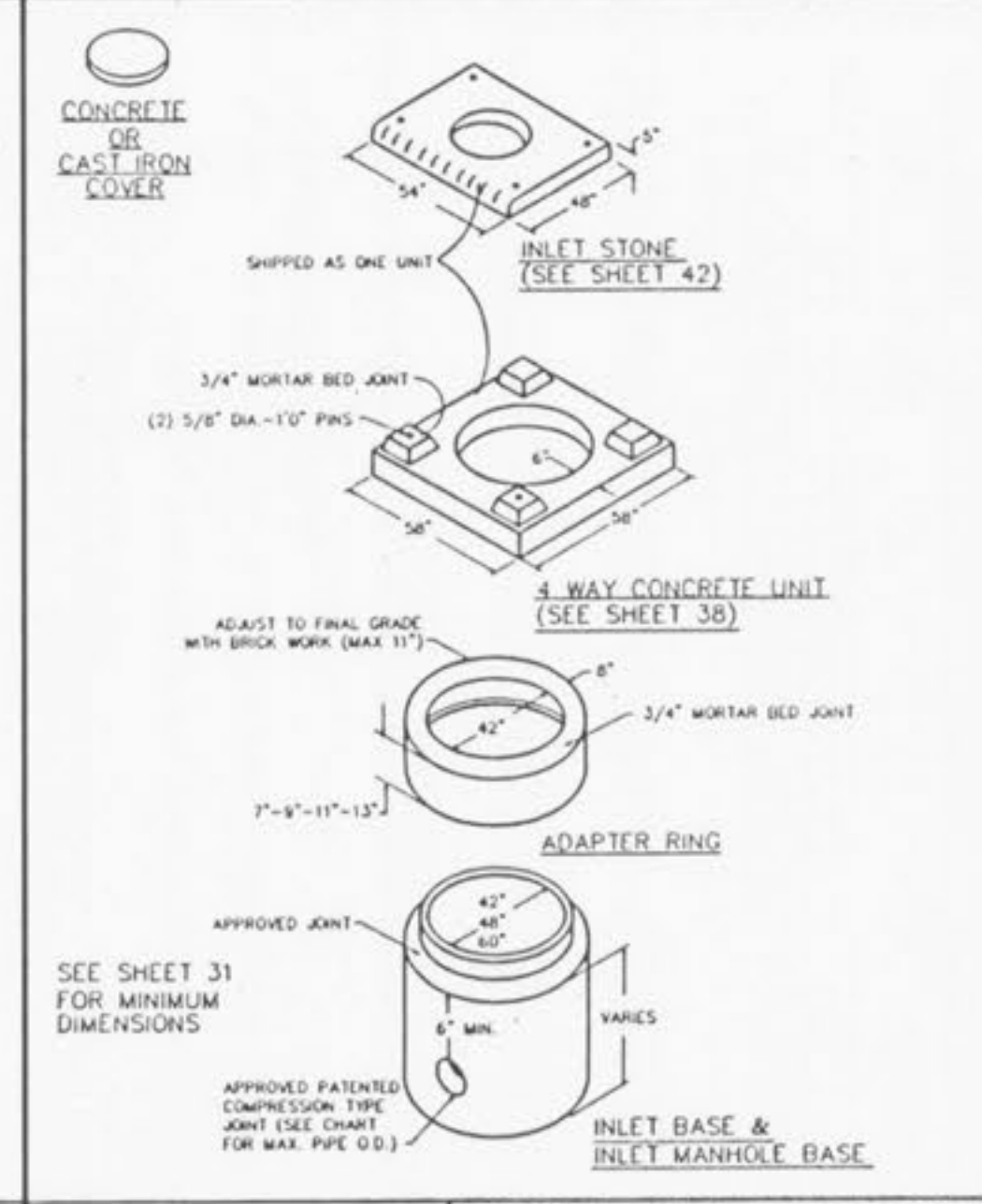
3 & 4 GRATE INLET BRICK CONSTRUCTION



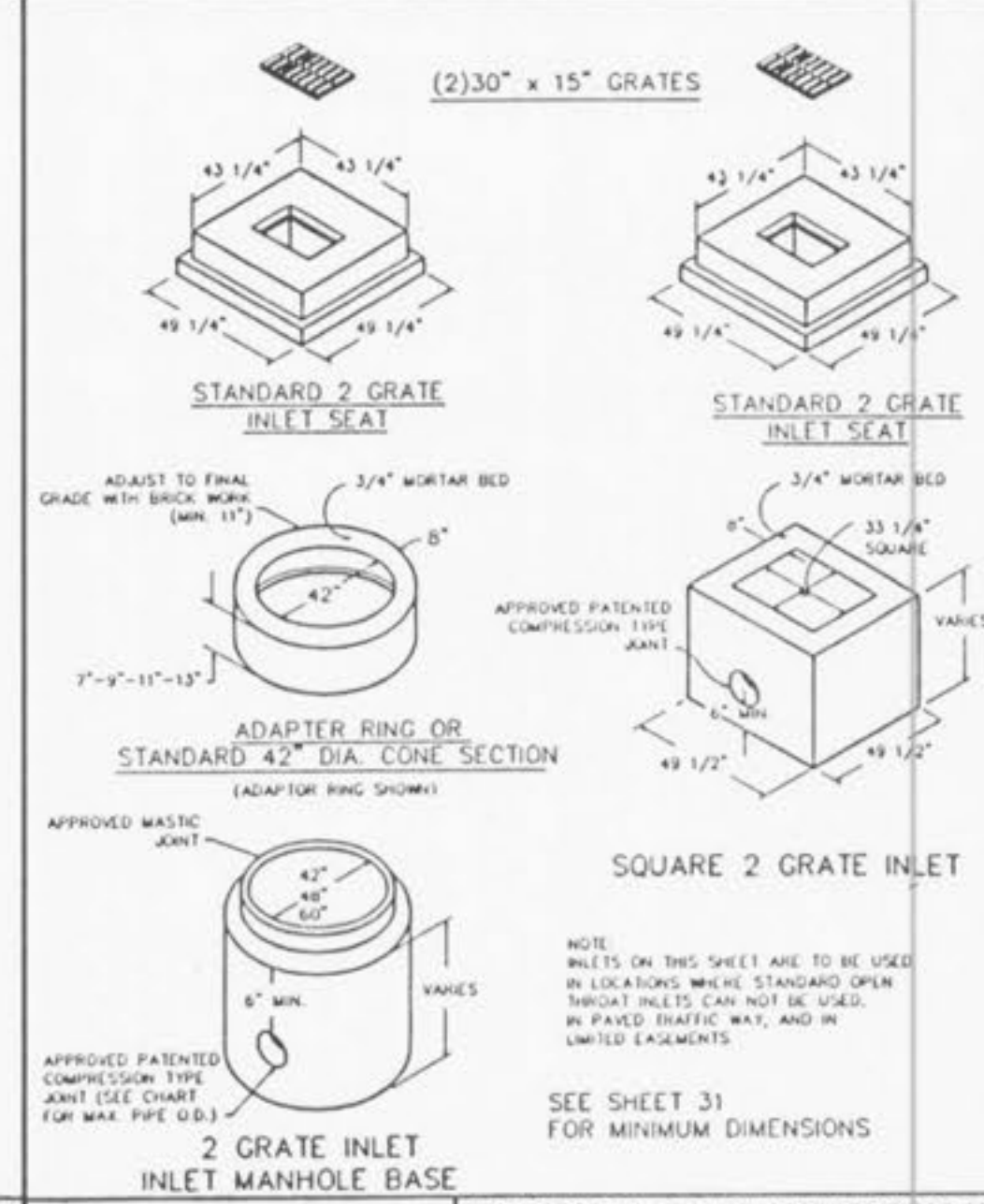
6 & 8 GRATE INLET BRICK CONSTRUCTION



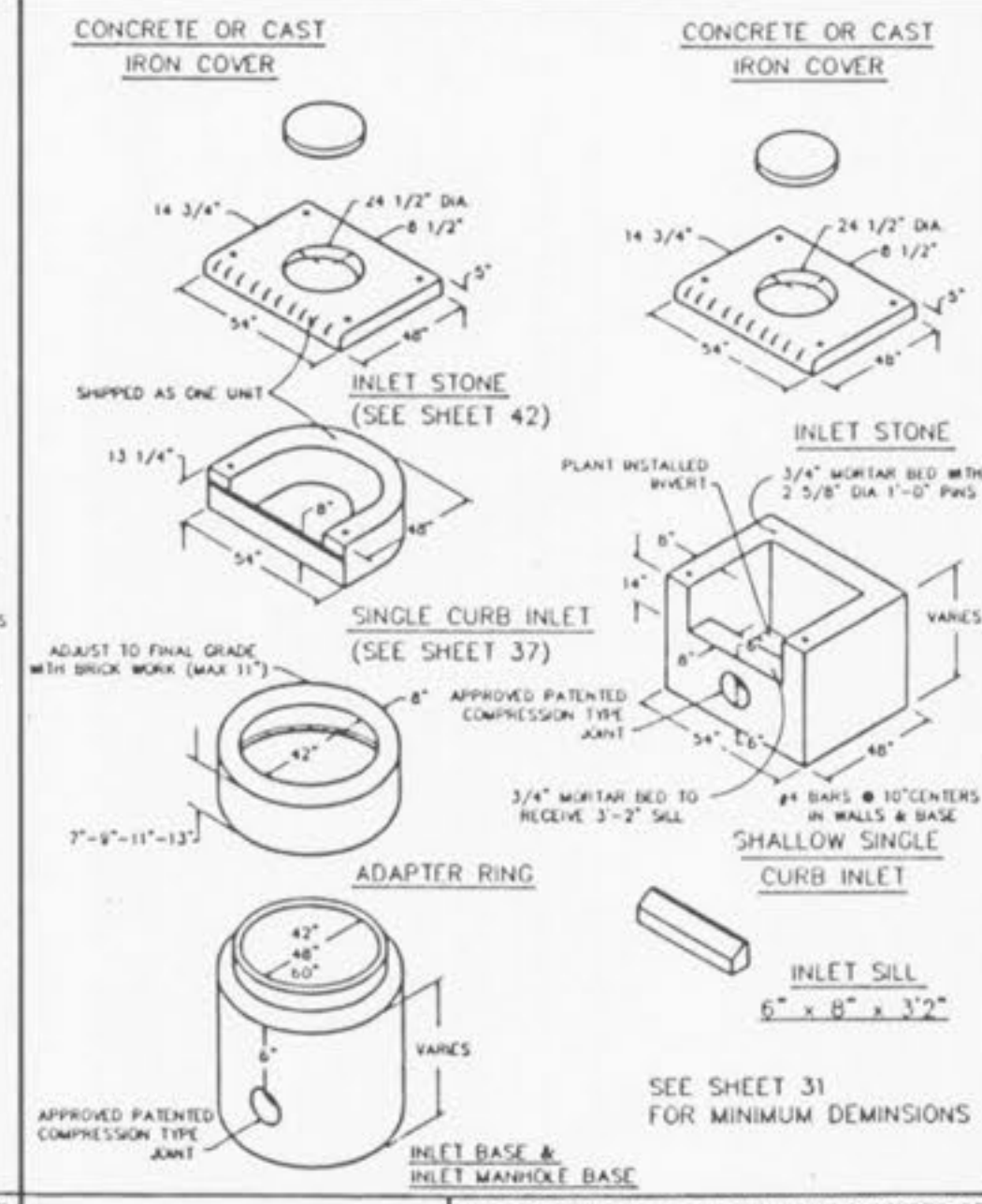
PRECAST CONCRETE STORMWATER STRUCTURES



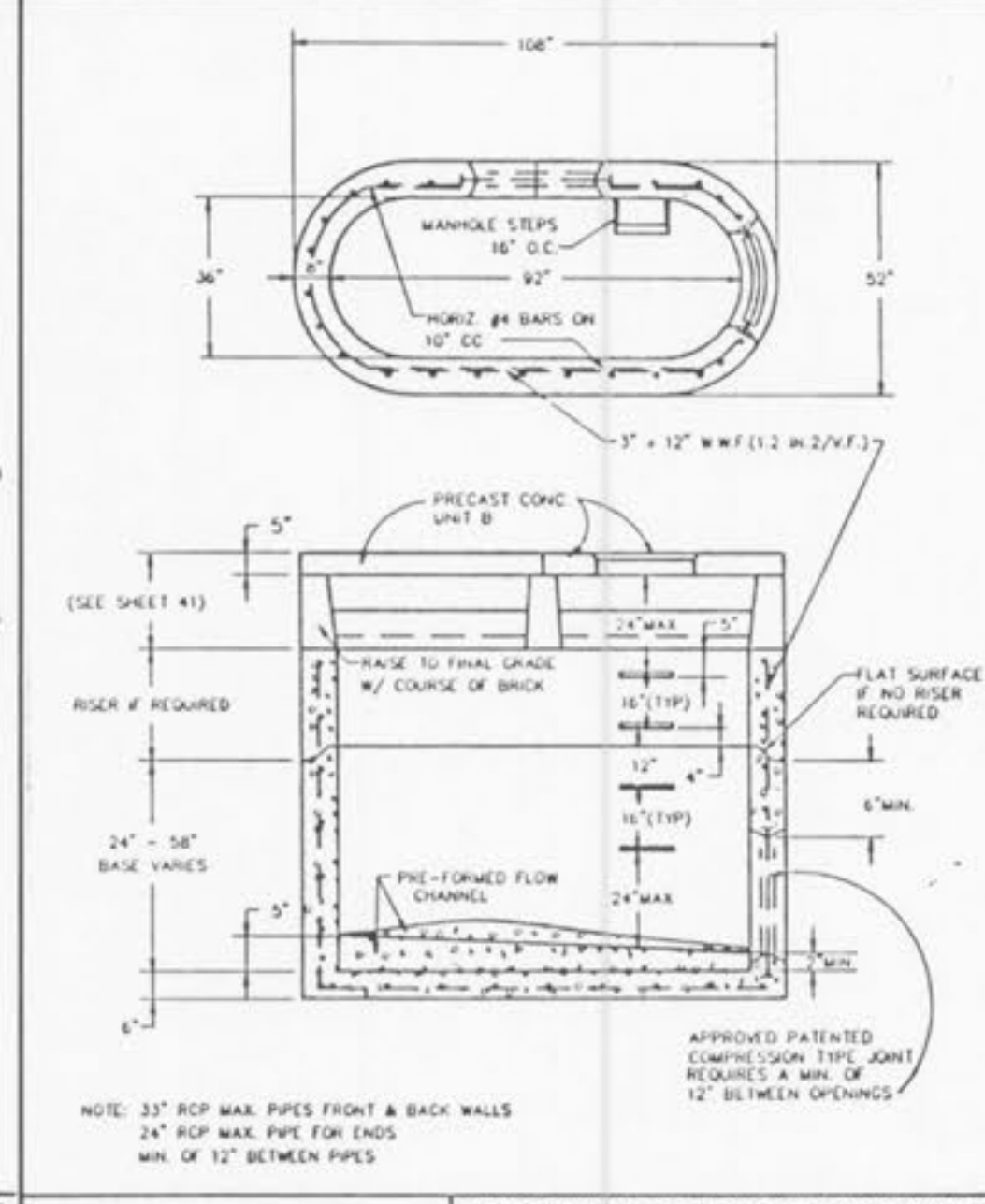
AREA INLET PRECAST CONCRETE



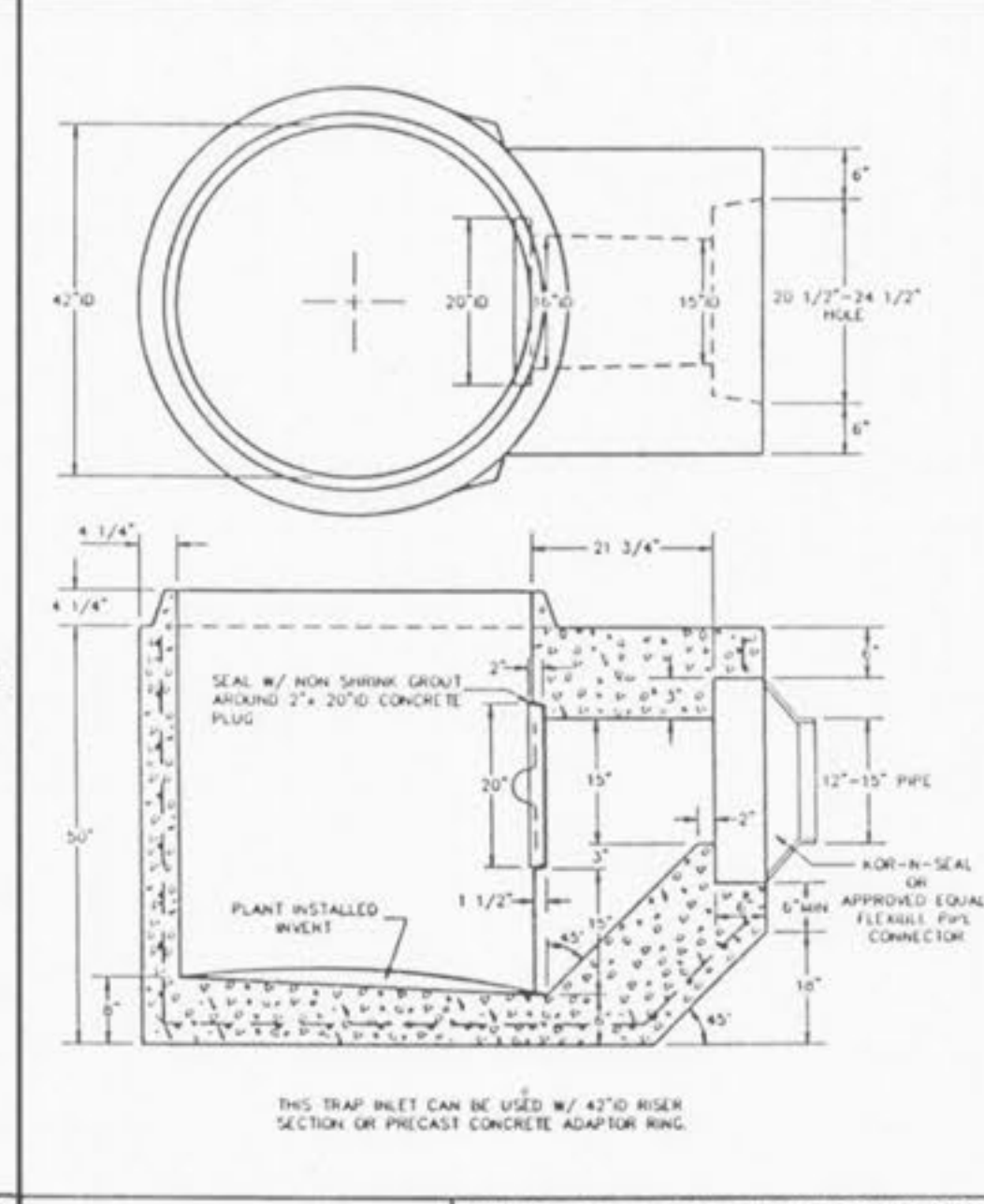
2 GRATE INLETS PRECAST CONCRETE



SINGLE STREET INLETS PRECAST CONCRETE



DOUBLE UNTRAPPED STREET INLET PRECAST CONCRETE



TRAPPED STREET INLET BASE PRECAST CONCRETE